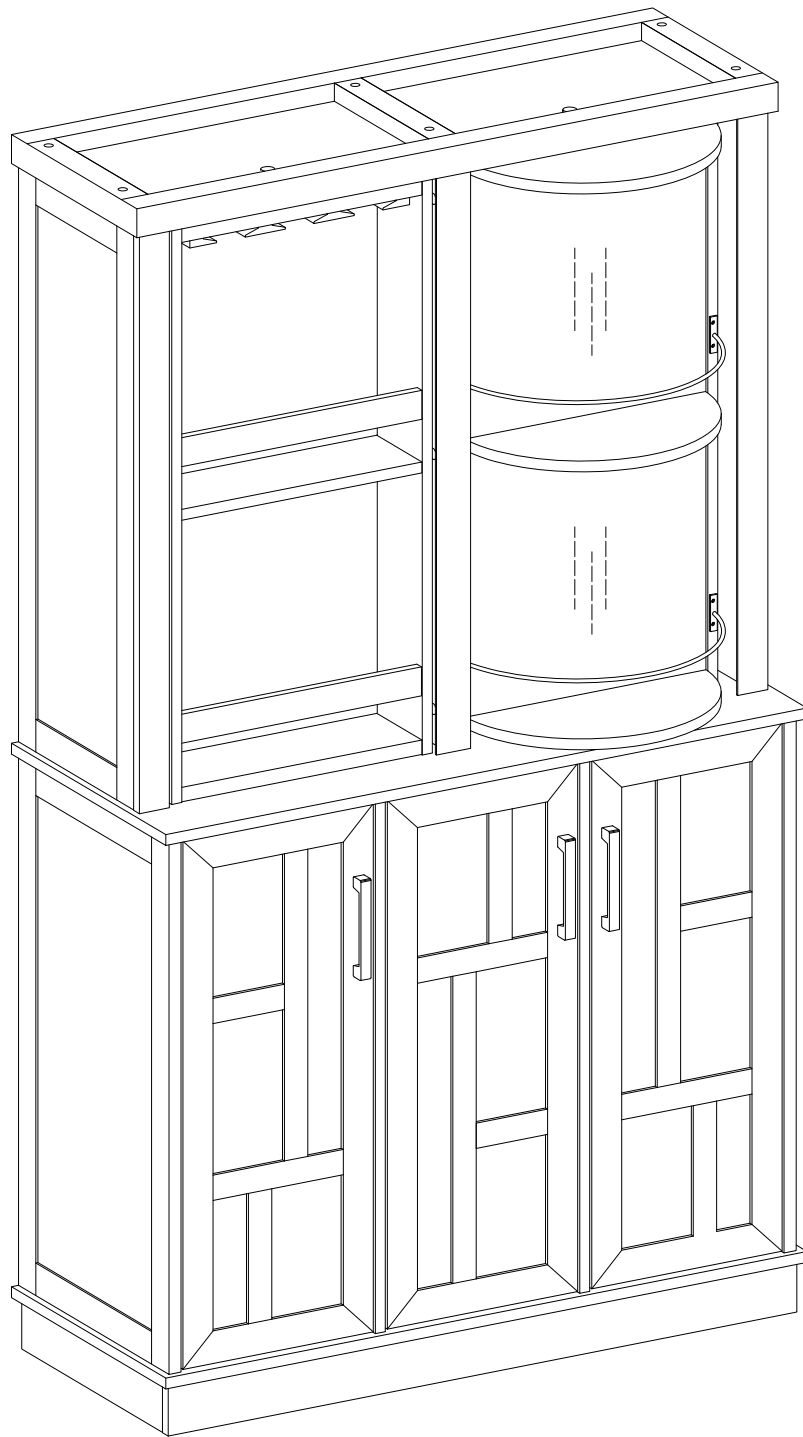


HOME SOURCE[®]

ASSEMBLY INSTRUCTION

MODEL:JZ98 MOP



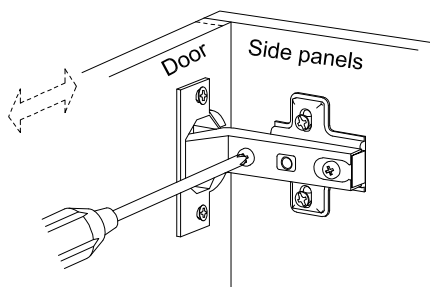
GENERAL ASSEMBLY INSTRUCTIONS

A few Tips before starting to assemble your new bookshelf, table, chair, or any other item

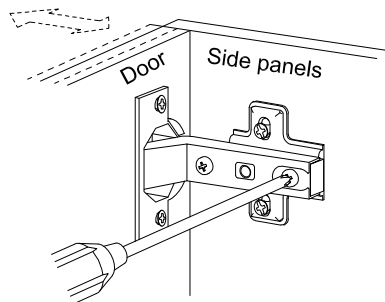
- I. Before you can begin assembling your piece of furniture, make sure that there are no parts or hardware missing.
- II. Make sure you pay careful attention to each step before you progress onto the next step. This way you will be able to assemble your item effectively and speedily.
- III. If you have help available, two people, or more are recommended to assist you to assemble the product. This ensures that it takes less time and less effort.
- IV. In the contents of the packaging, you will find pieces of Wood and individual dowels, screws, and bolts. These are the four main types of hardware that are required to assemble your item.
- V. Glue is included to ensure the wood dowels are secured effectively. Before you start inserting a dowel in place, make sure you find the right hole.
- VI. To insert securely, place a minimal amount of glue at the end of the dowel before you start attaching separate pieces of hardware.
- VII. A Philips head screw driver is a prerequisite to successfully assemble this product.
- VIII. Besides a power drill, power tools are not necessary to put this product together.
- IX. A drill may be needed to ensure that the product is efficiently secured to a wall.

Some products may come with three-way hidden hinges.

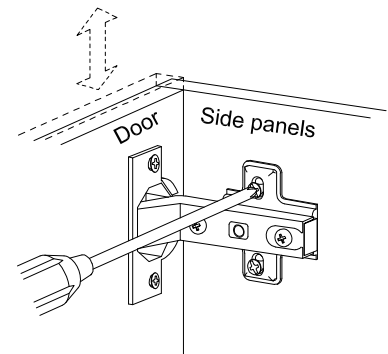
- a) These hidden three-way hinges can be fastened in place horizontally by mounting a screw.



Horizontal
by screw adjustment



In-and-Out
by loosening the hinge-arm
mounting screw or via cam
adjustment



Vertical
Via slots in the mounting
plate or via cam adjustment

- b) They can be secured inward and outward by freeing the hinge arm, or vertically.
c) This is done through gentle adjustment or slotting the hinges into the mounting plate.

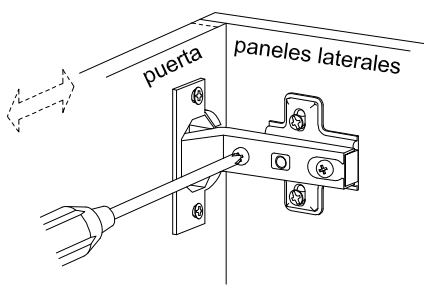
INSTRUCCIONES GENERALES PARA ENSAMBLE

Algunos consejos antes de comenzar a armar su nueva estantería, mesa, silla o cualquier otro artículo

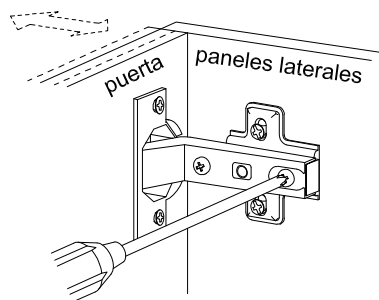
- I. Antes de que pueda comenzar a ensamblar su mueble, asegúrese de que no falten piezas o hardware.
- II. Asegúrese de prestar mucha atención a cada paso antes de avanzar al siguiente paso. De esta manera, podrá ensamblar su artículo de manera efectiva y rápida.
- III. Si tiene ayuda disponible, se recomiendan dos personas o más para ayudarlo a ensamblar el producto. Esto asegura que tome menos tiempo y menos esfuerzo.
- IV. En el contenido del embalaje, encontrará piezas de madera y clavijas, tornillos y pernos (Tarugos) individuales. Estos son los cuatro tipos principales herramientas que se requieren para ensamblar su artículo.
- V. Se incluye pegamento para garantizar que las clavijas de madera se aseguren de manera efectiva. Antes de comenzar a insertar una clavija en su lugar, asegúrese de encontrar el orificio correcto.
- VI. Para insertar de forma segura, coloque una cantidad mínima de pegamento al final de la clavija antes de comenzar a colocar piezas separadas de hardware.
- VII. Un destornillador de cabeza Philips. (Tornillos de tria) es un requisito previo para ensamblar con éxito este producto.
- VIII. Además de un taladro eléctrico, no son necesarias herramientas eléctricas para armar este producto.
- IX. Es posible que se necesite un taladro para garantizar que el producto se asegure de manera eficiente a una pared.

Algunos productos pueden venir con bisagras ocultas de tres vías.

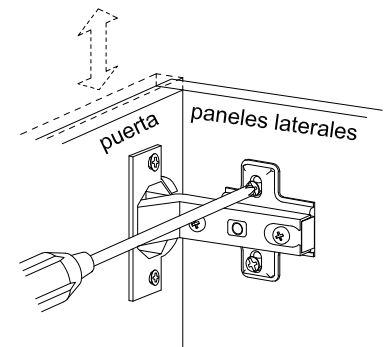
- a) Estas bisagras ocultas de tres vías se pueden sujetar en su lugar horizontalmente montando un tornillo.



Horizontal
mediante el ajuste del tornillo



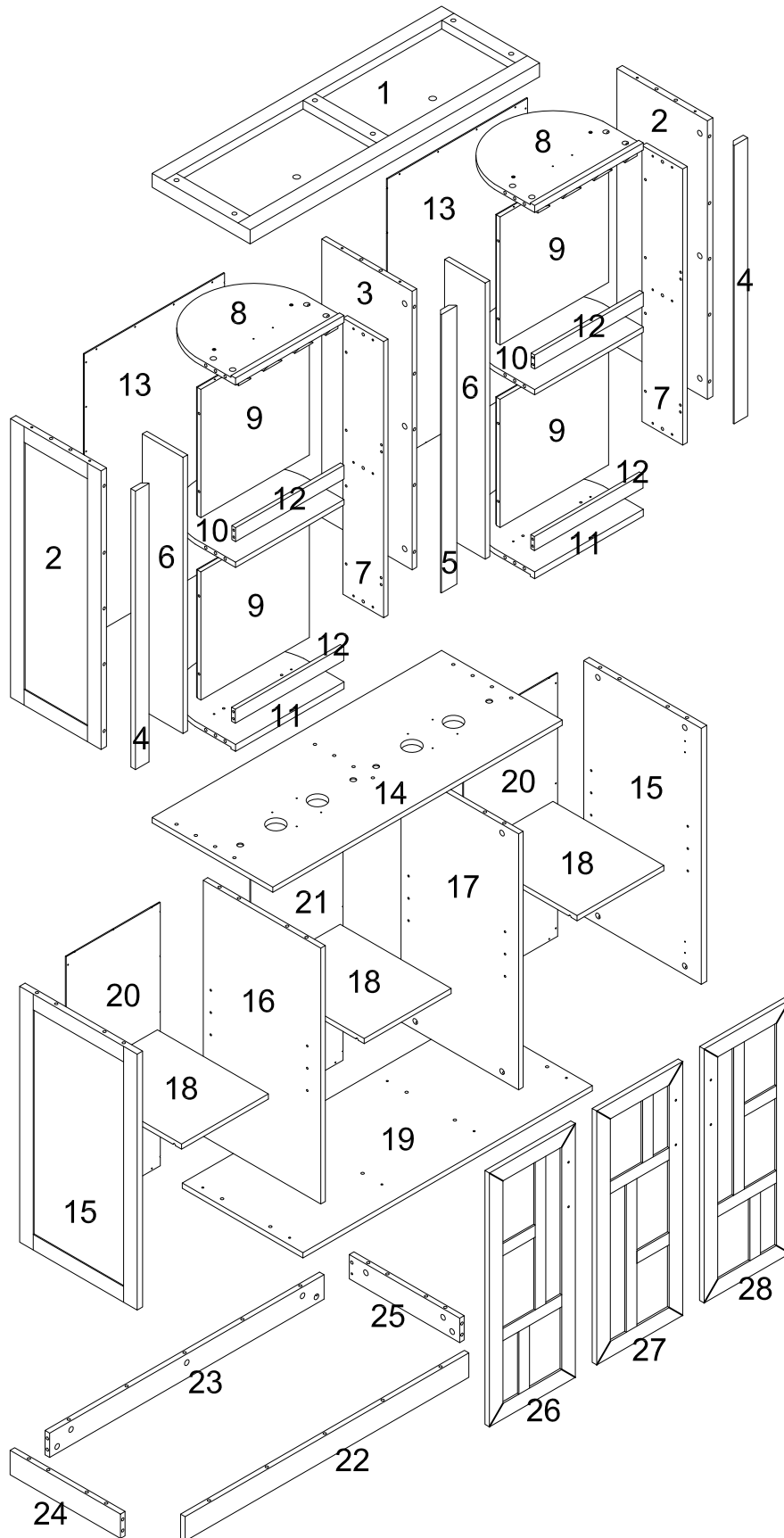
Hacia adentro o afuera
al aflojar el brazo de la bisagra
tornillo de montaje o mediante
ajuste de la leva



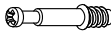


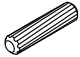











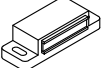




Vertical
por medio de ranuras en la
placa de montaje o mediante
el ajuste de la leva

- b) Se pueden asegurar hacia adentro y hacia afuera liberando el brazo de la bisagra, o verticalmente.
- c) Esto se hace a través de un ajuste suave o ranurando las bisagras en la placa de montaje.

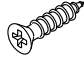
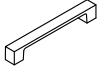

PACKAGE CONTENT



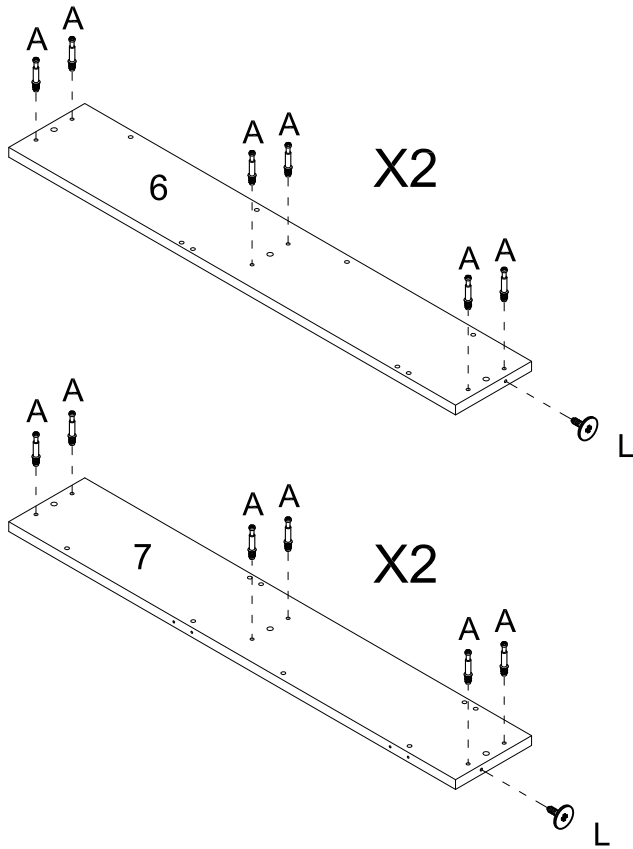
Hardware List

A		ø5*25mm	Cam bolt	63 pcs
B		ø15*11mm	Cam lock	63 pcs
C		ø25mm	Sticker	30 pcs
D		ø8*30mm	Wood Dowel	58 pcs
E		ø6*30mm	Wood Dowel	40 pcs
F		ø6*50mm	Bolt	12 pcs
G		M4*50*50mm	Allen Key	1 pc
H		Ø4*45mm	Screw	8 pcs
I		94*94*9mm	Rotary table	2 pcs
J		80*20*23mm	Shaft	2 pcs
K		Ø4*12mm	Screw	16 pcs
L		Ø4*15mm	Screw	4 pcs
M		Ø13*10mm	Screw	4 pcs
N		385*165*50mm	Rail	4 pcs
O		Ø3.5*15mm	Screw	16 pcs
P		44*16*12mm	The magnet	3 pcs
Q		Ø3.5*15mm	Screw	6 pcs
R		30*22*1mm	Iron	3 pcs
S		Ø3*12mm	Screw	3 pcs
T		Ø26mm	Hinge	6 pcs

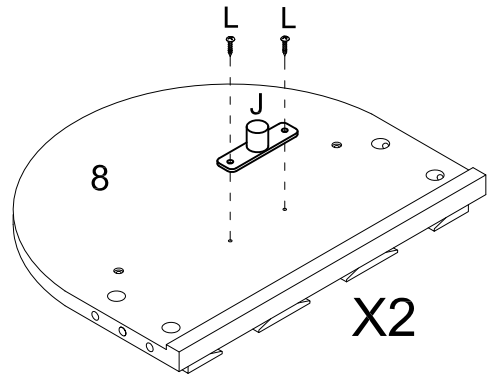
Hardware List

U		Ø4*15mm	Screw	24 pcs
V		140*15*19mm	Handle	3 pcs
W		5/32"*22mm	Bolt	6 pcs
X		Ø5*16mm	Shelf Support	12 pcs
Y		Ø3*15mm	Screw	71 pcs
Z			Glue tube	1 pcs
AA			Anti-Tipping Kit	2 sets

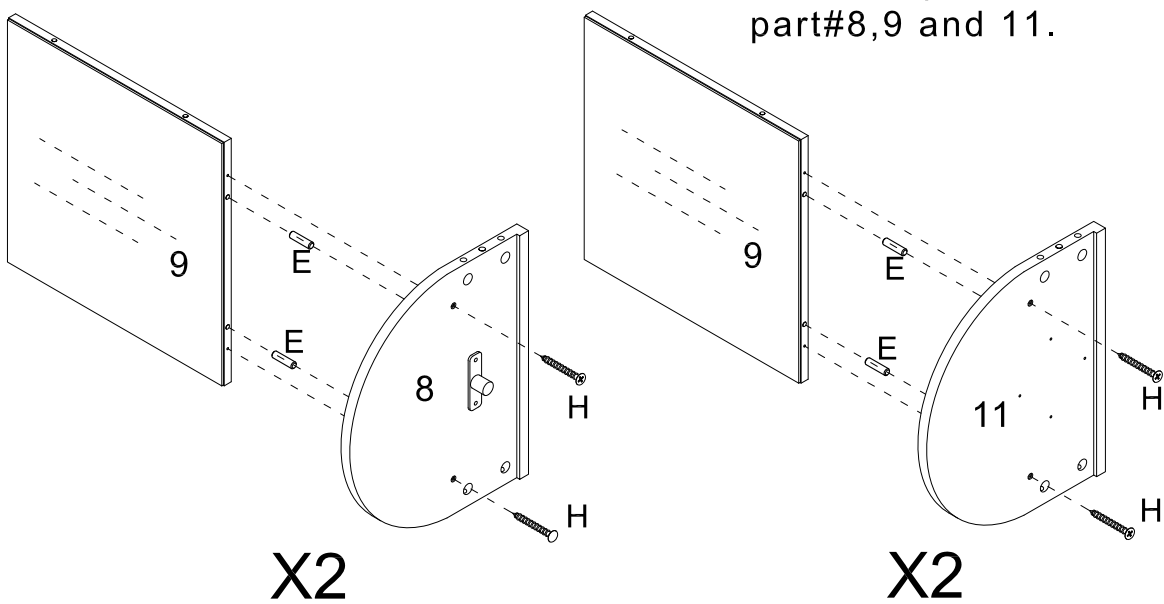
Step 1



Repeat this step twice to both two panels of part# 6,7 and 8.

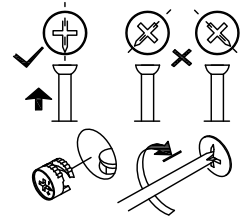


Step 2

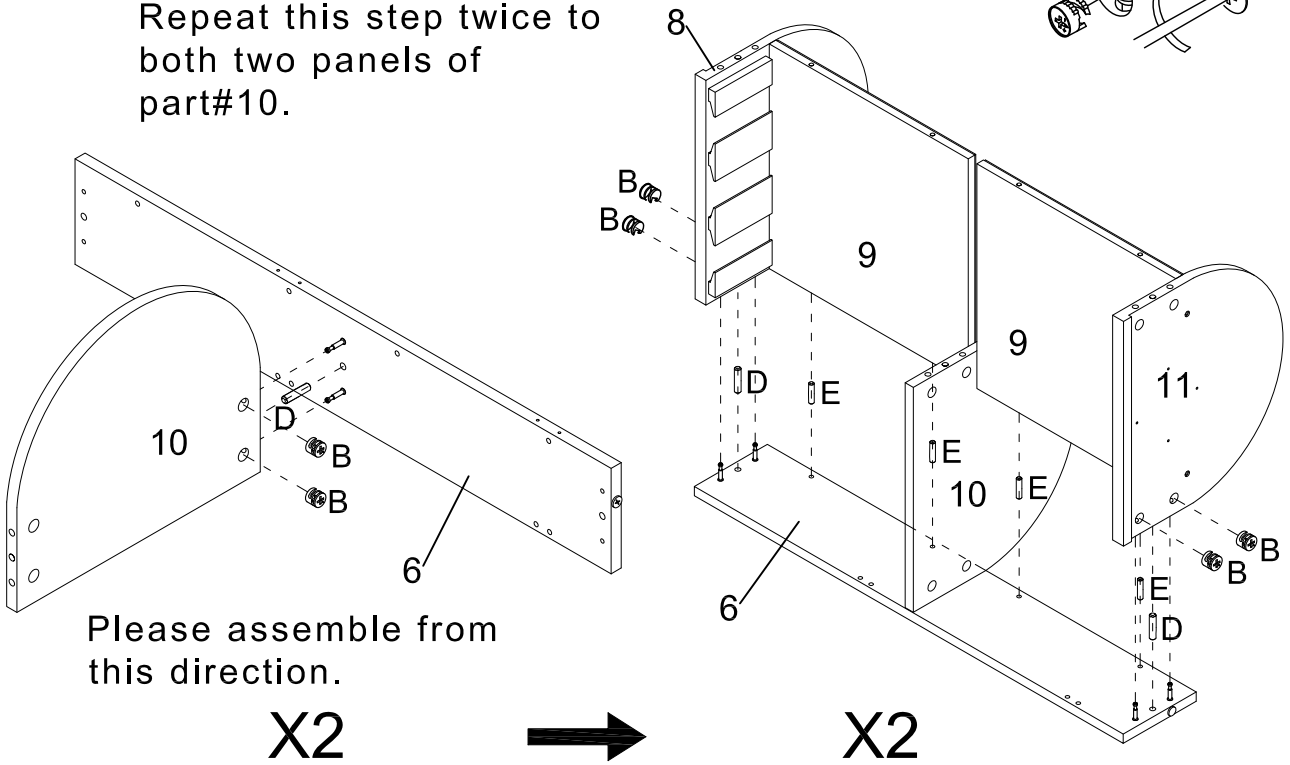


Repeat this step twice to both two panels of part#8,9 and 11.

Step 3

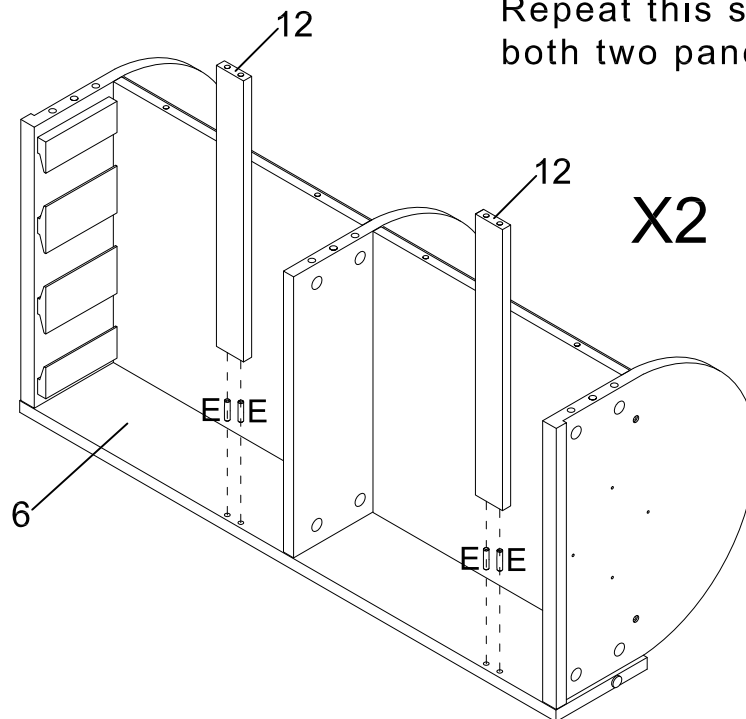


Repeat this step twice to both two panels of part#10.

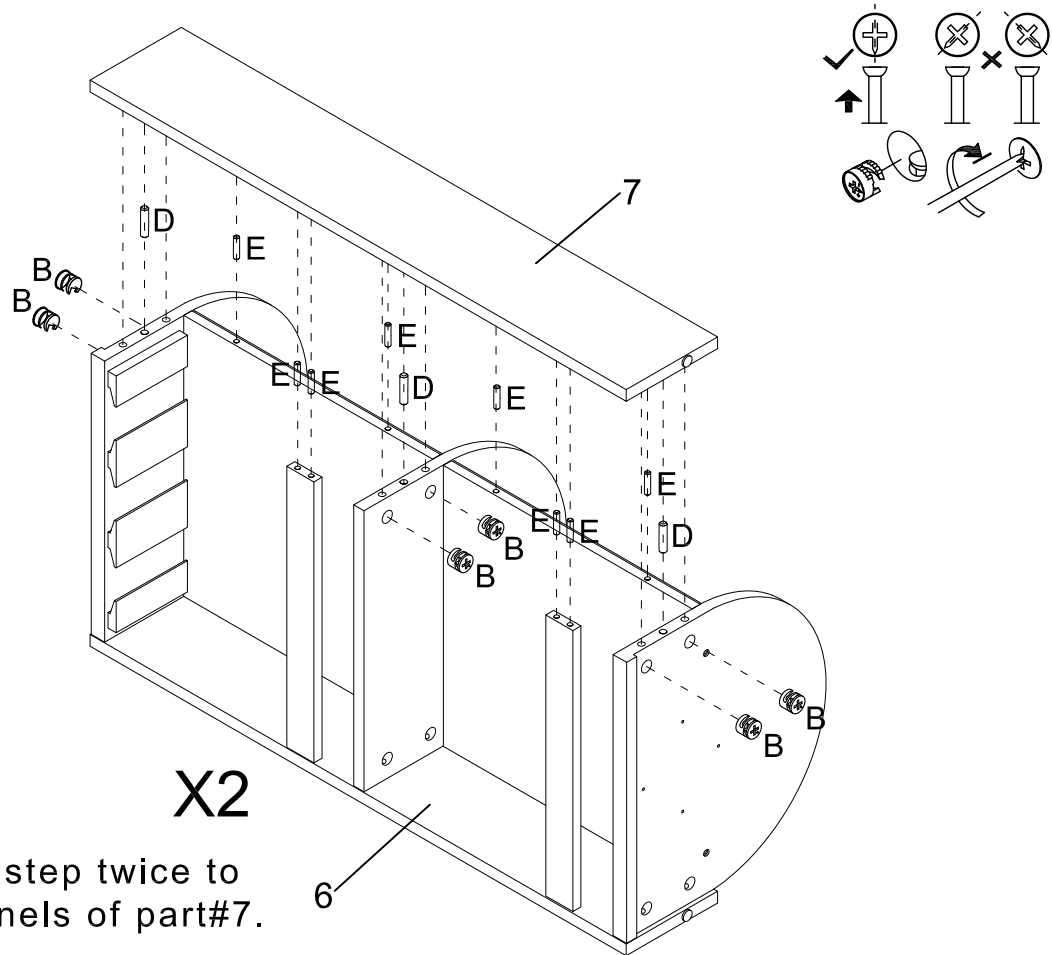


Step 4

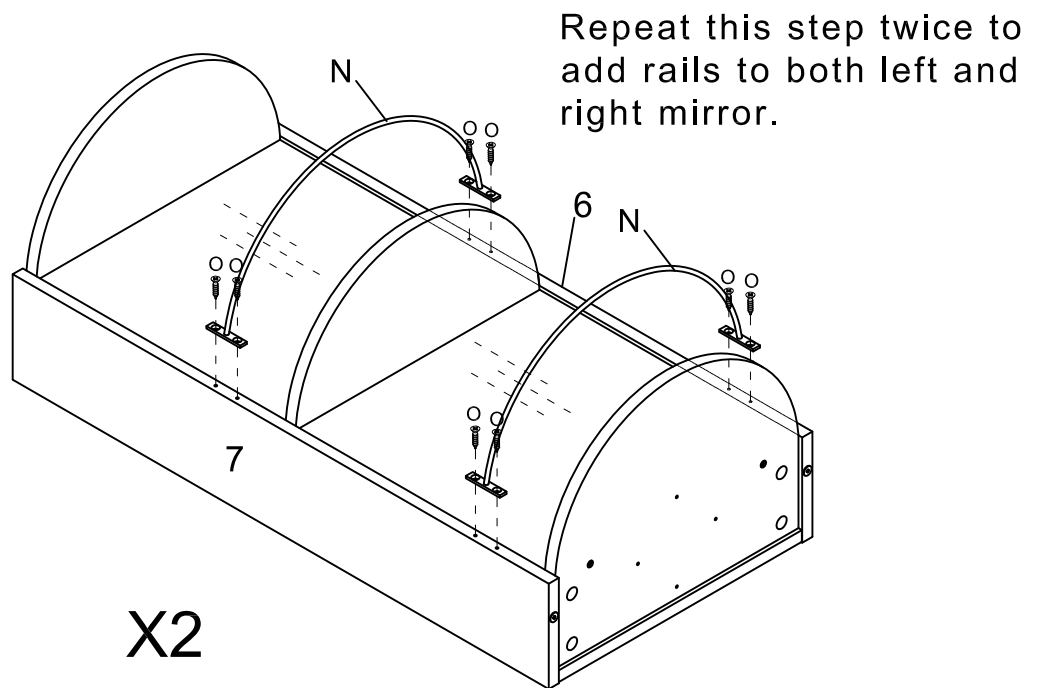
Repeat this step twice to both two panels of part#12.



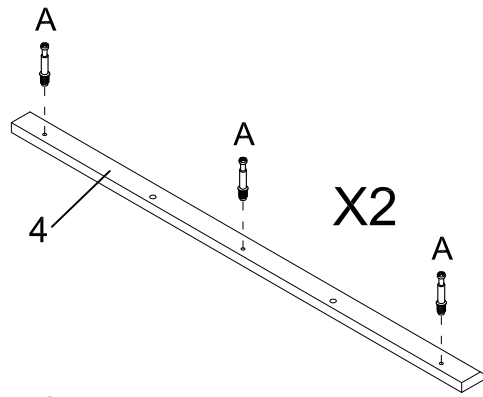
Step 5



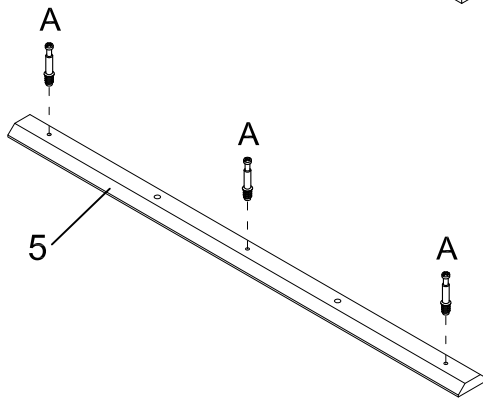
Step 6



Step 7

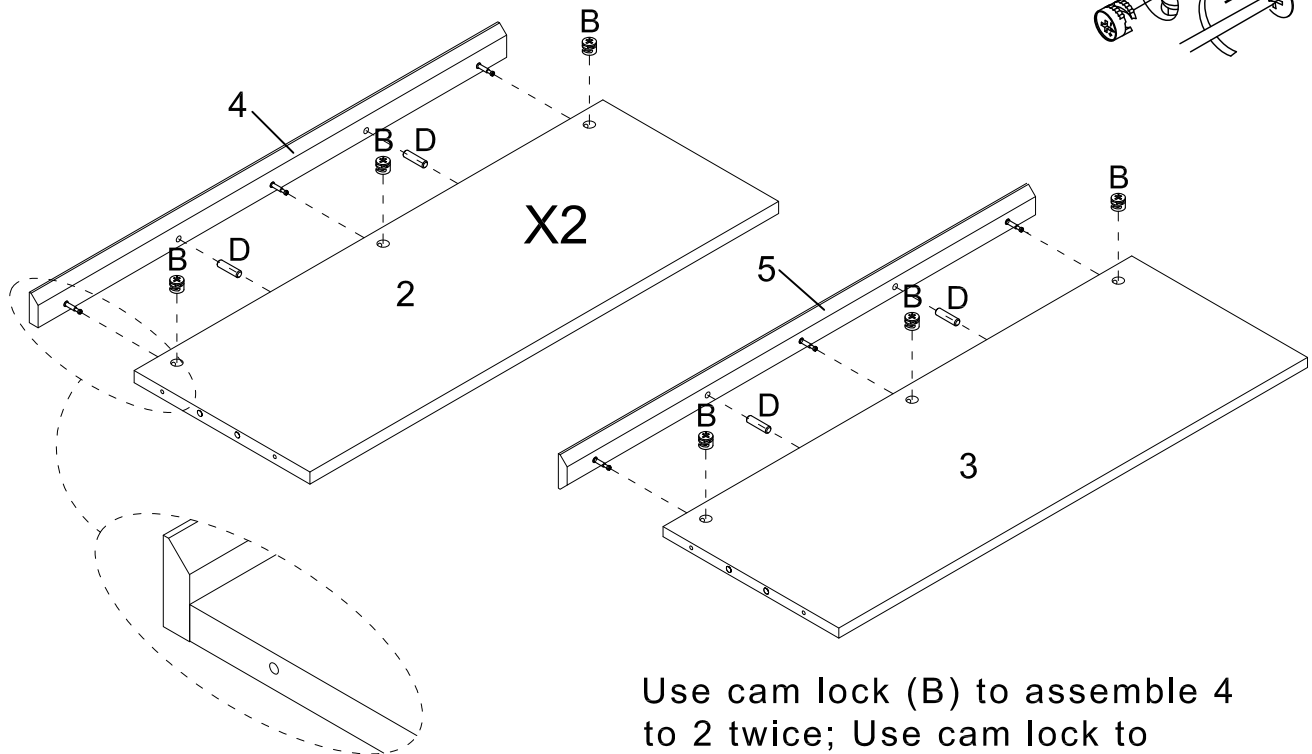


Repeat this step twice to both two panels of part#4.



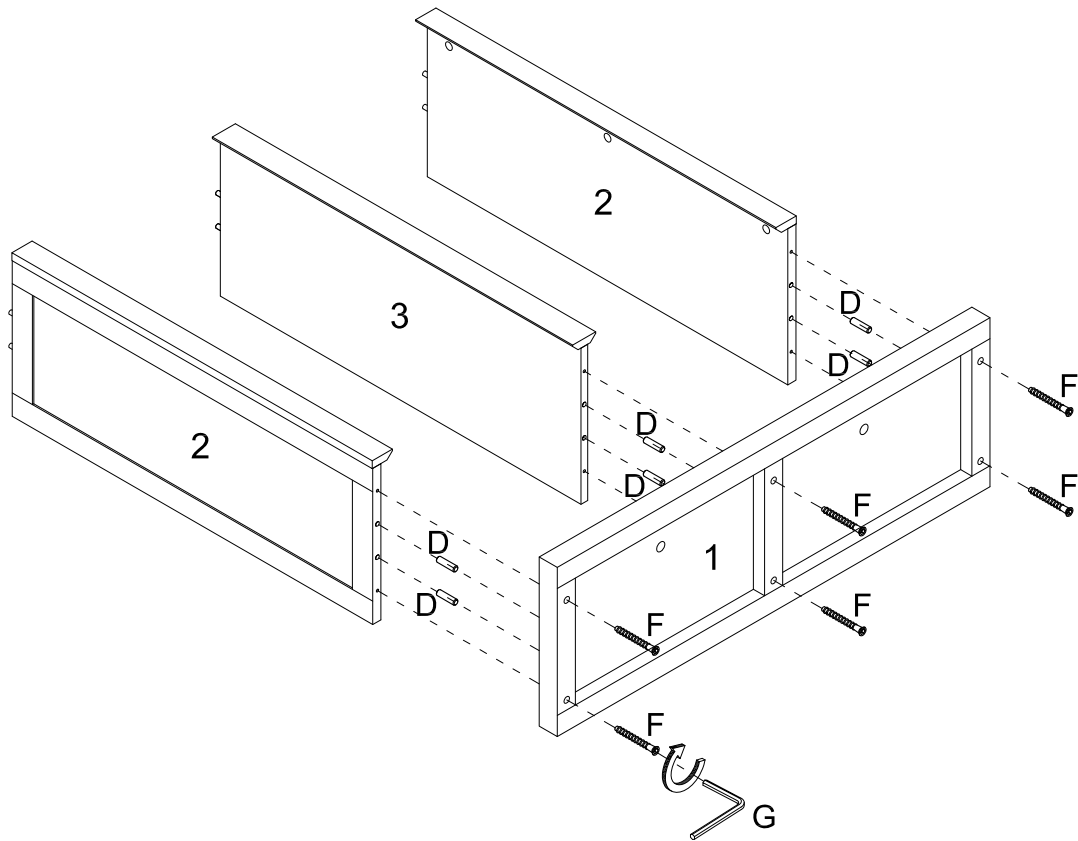
Insert bolt cam to both two panels of part# 4 and part#5.

Step 8

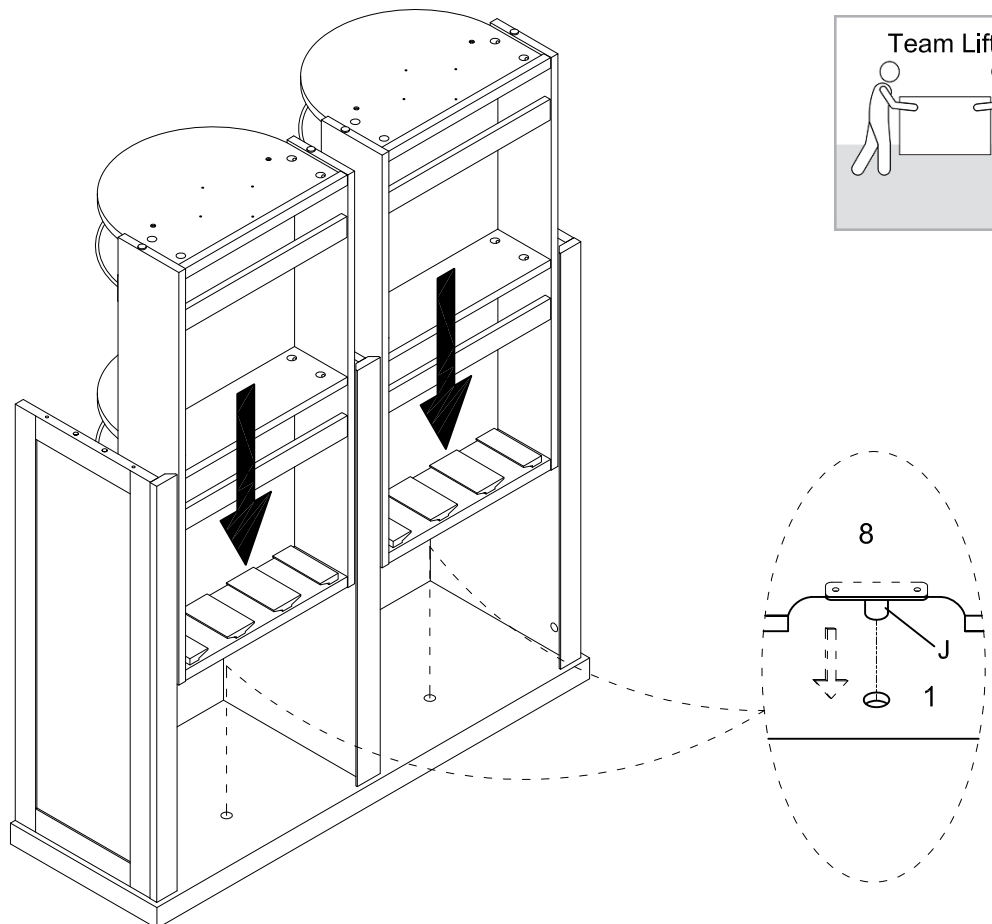


Use cam lock (B) to assemble 4 to 2 twice; Use cam lock to assemble 5 to 3.

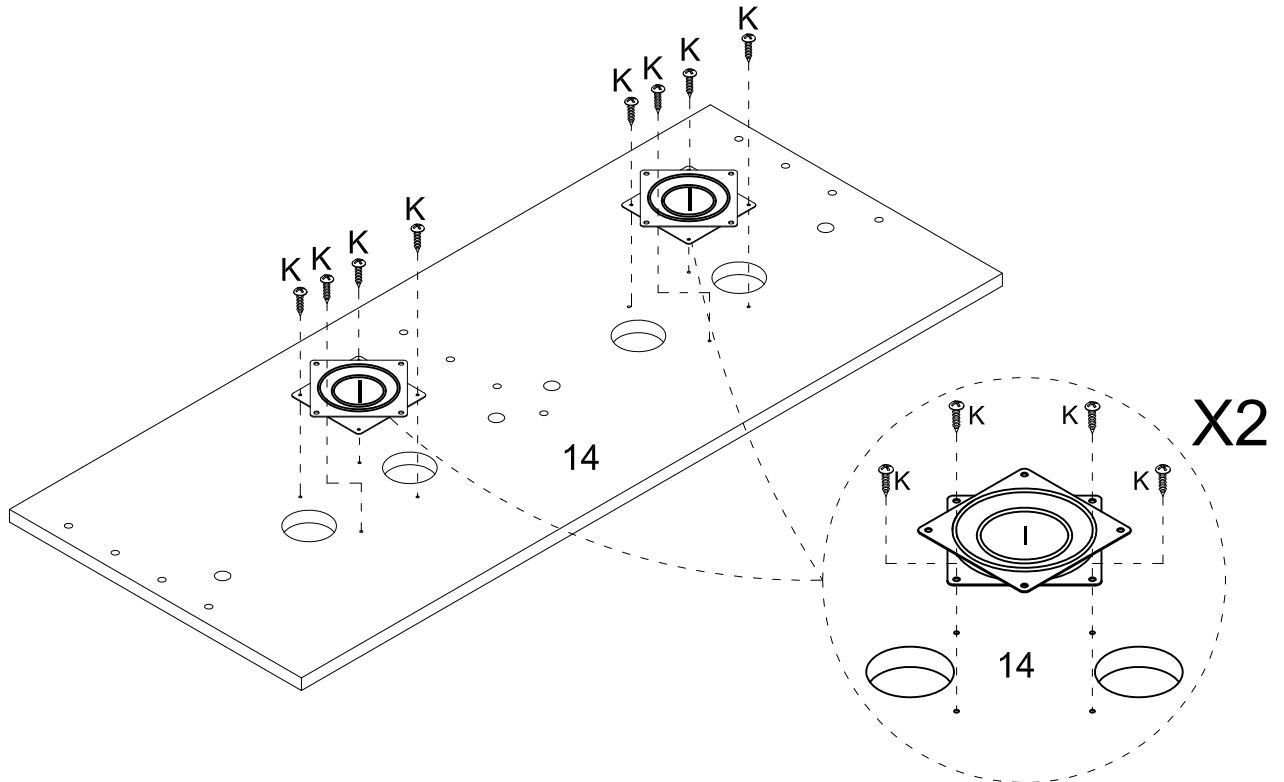
Step 9



Step 10

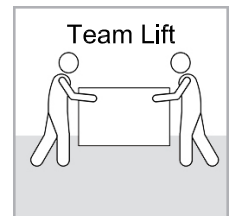
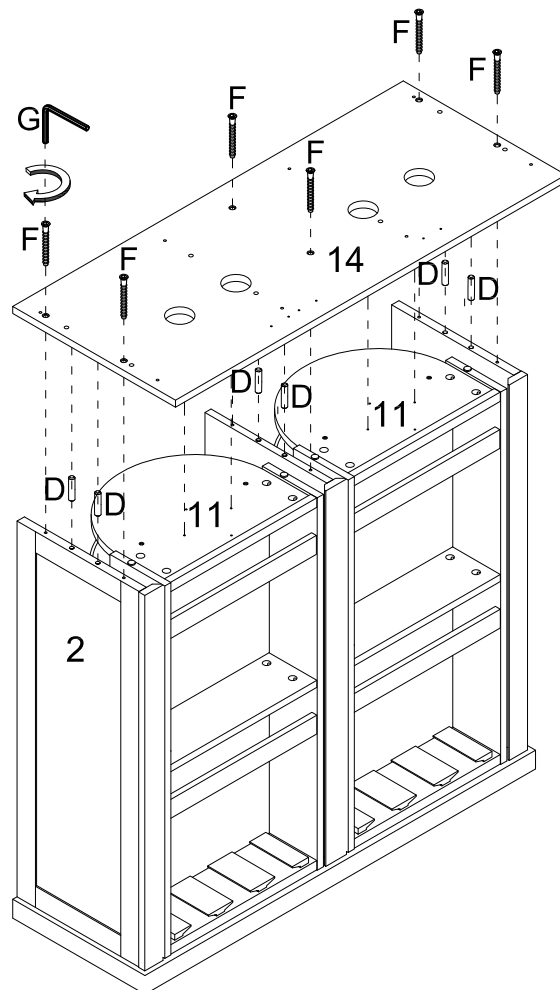


Step 11



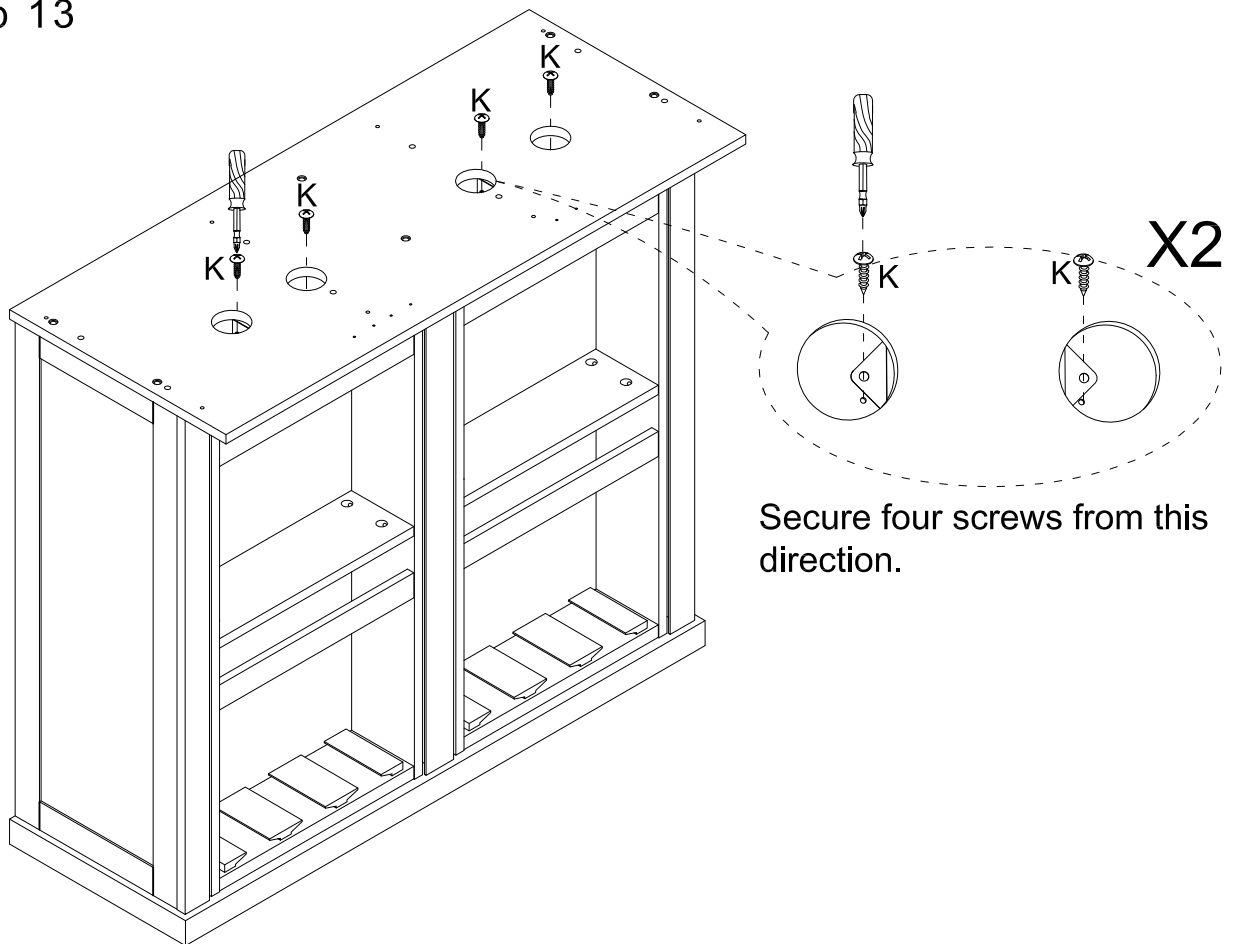
Please turn this turntable to this direction.

Step 12

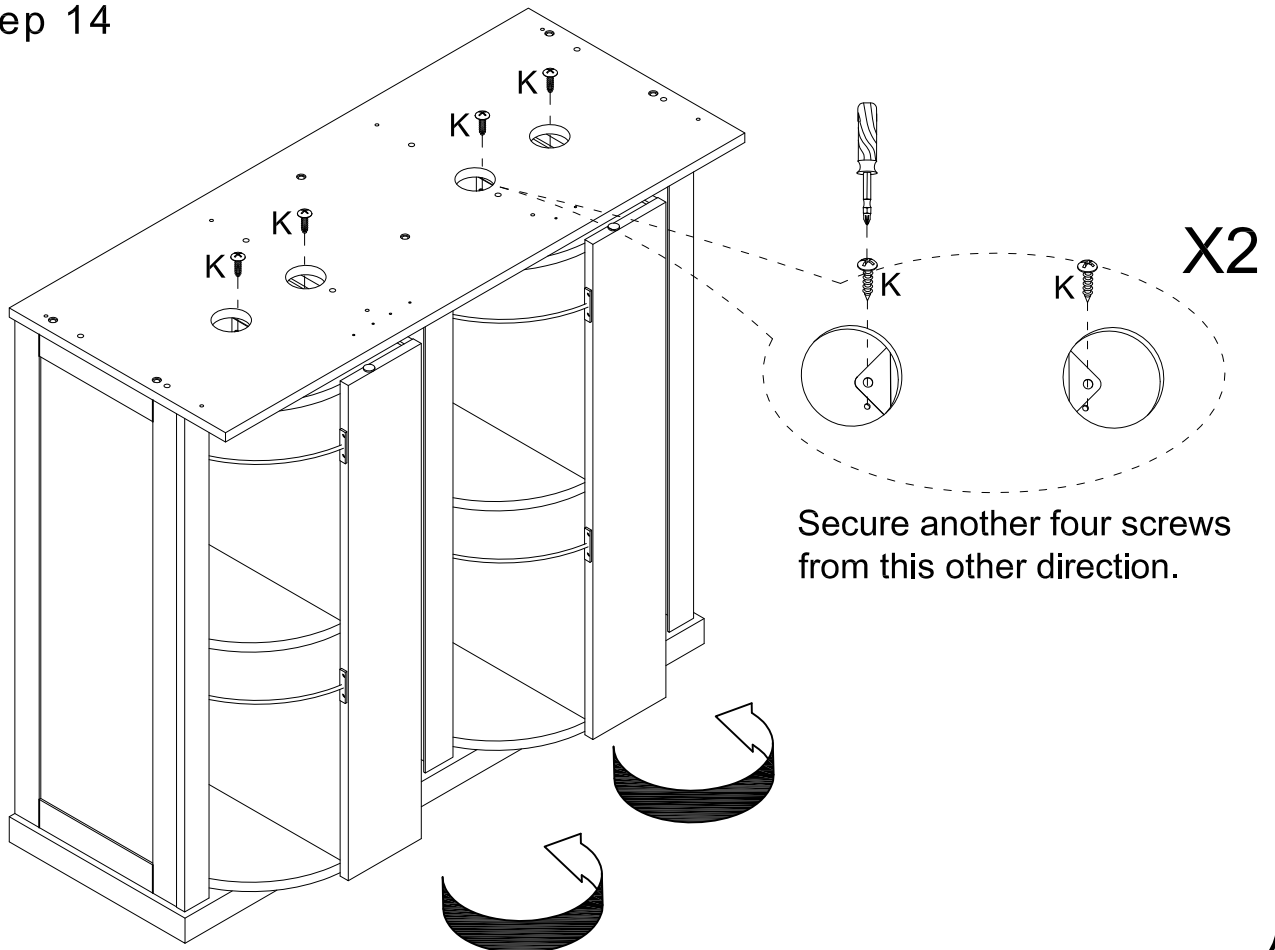


Make sure you have at least two people to put the top onto the base.

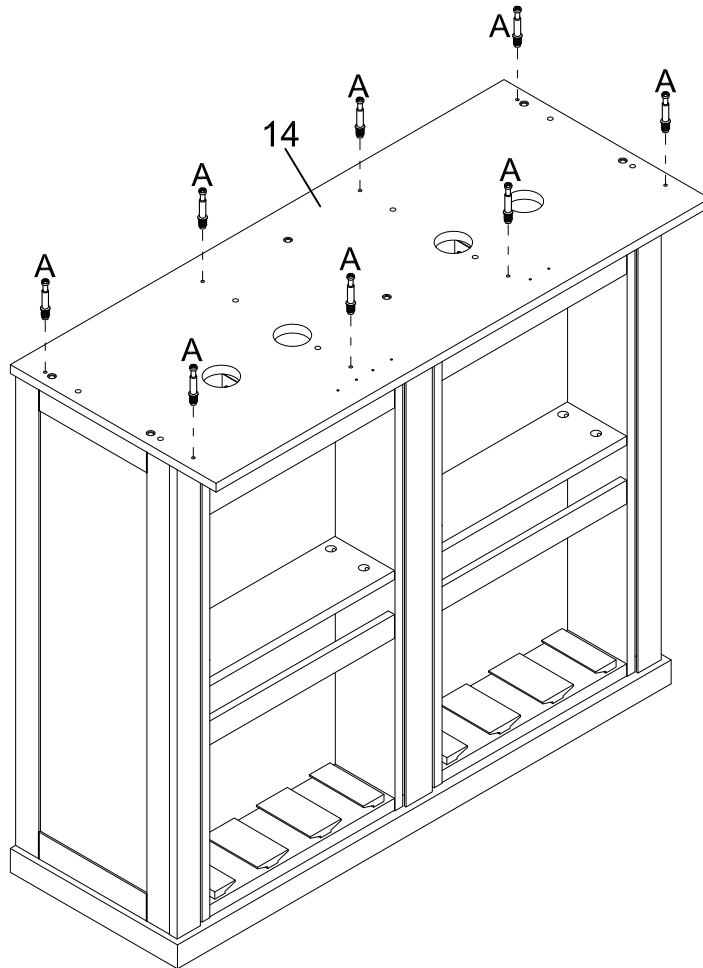
Step 13



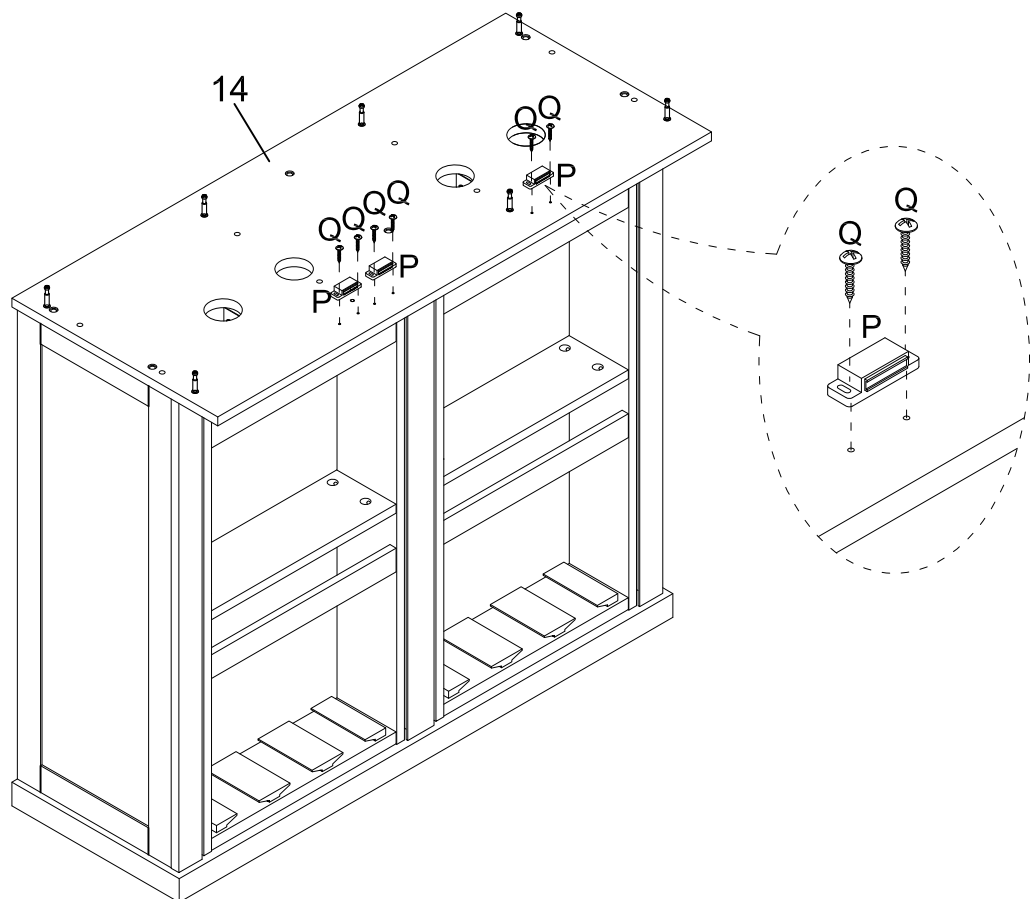
Step 14



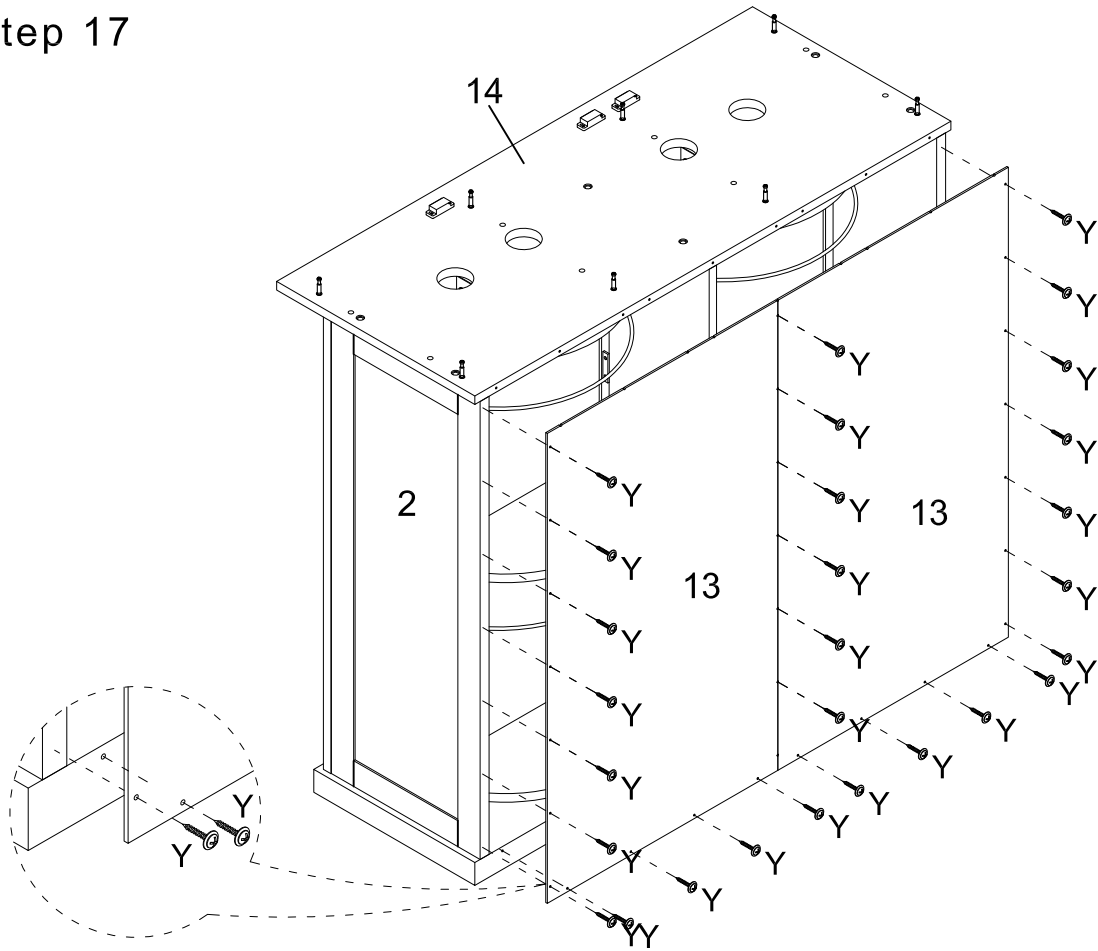
Step 15



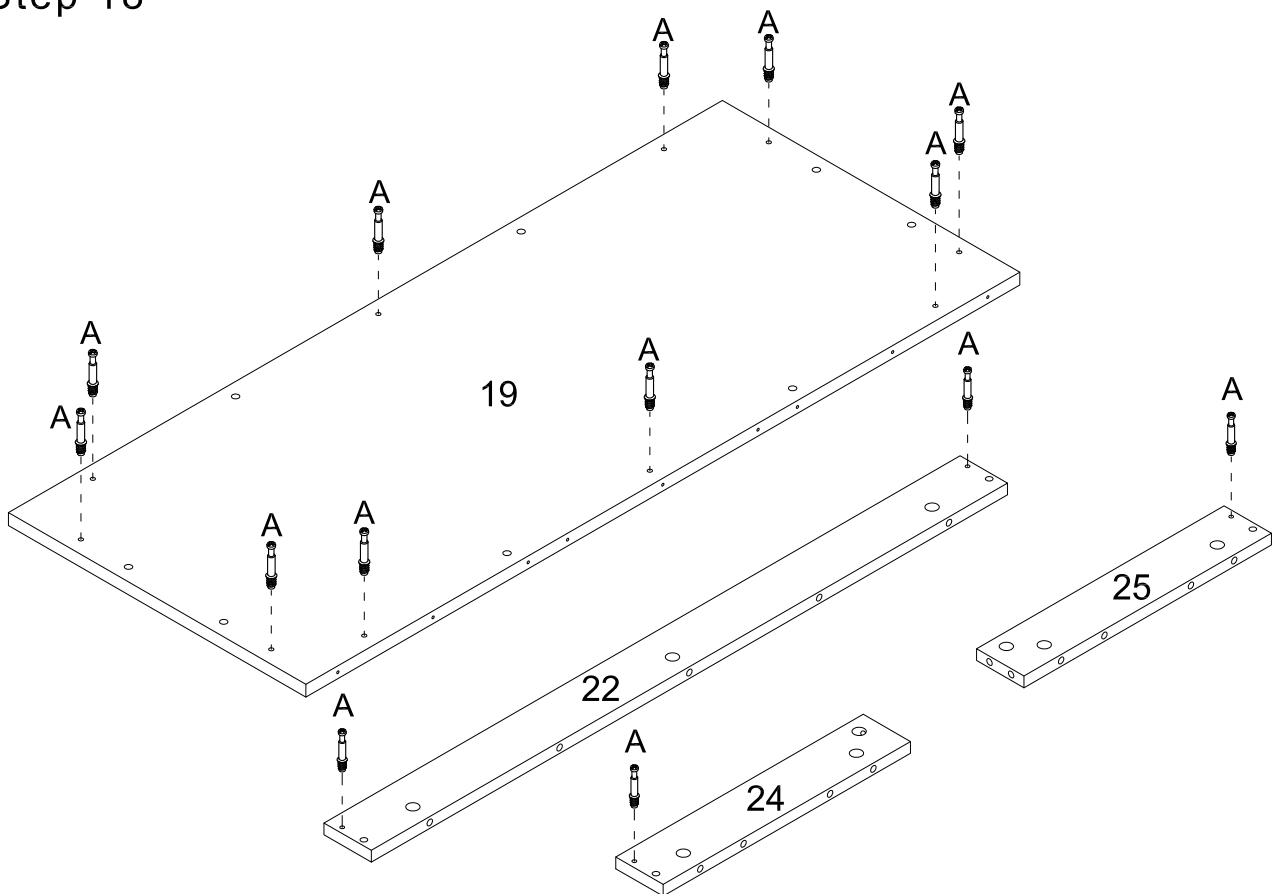
Step 16



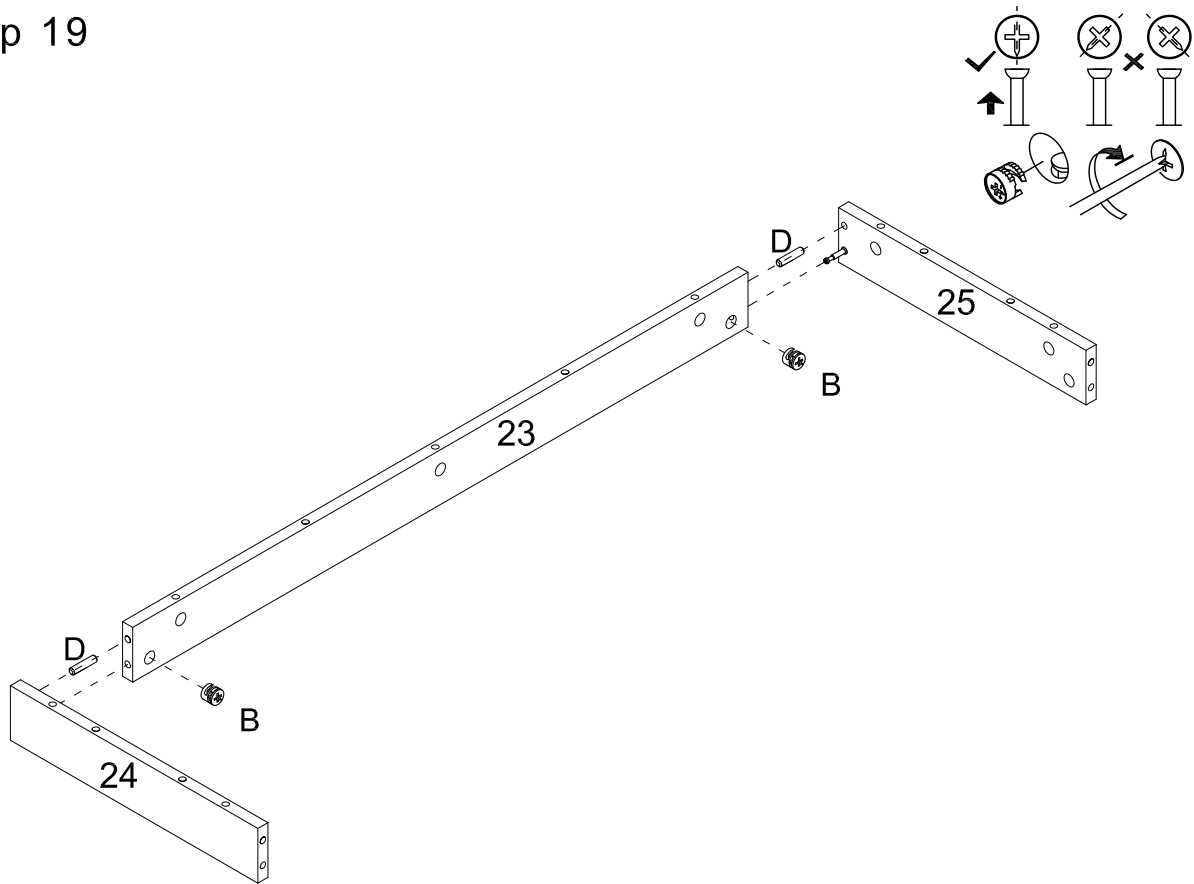
Step 17



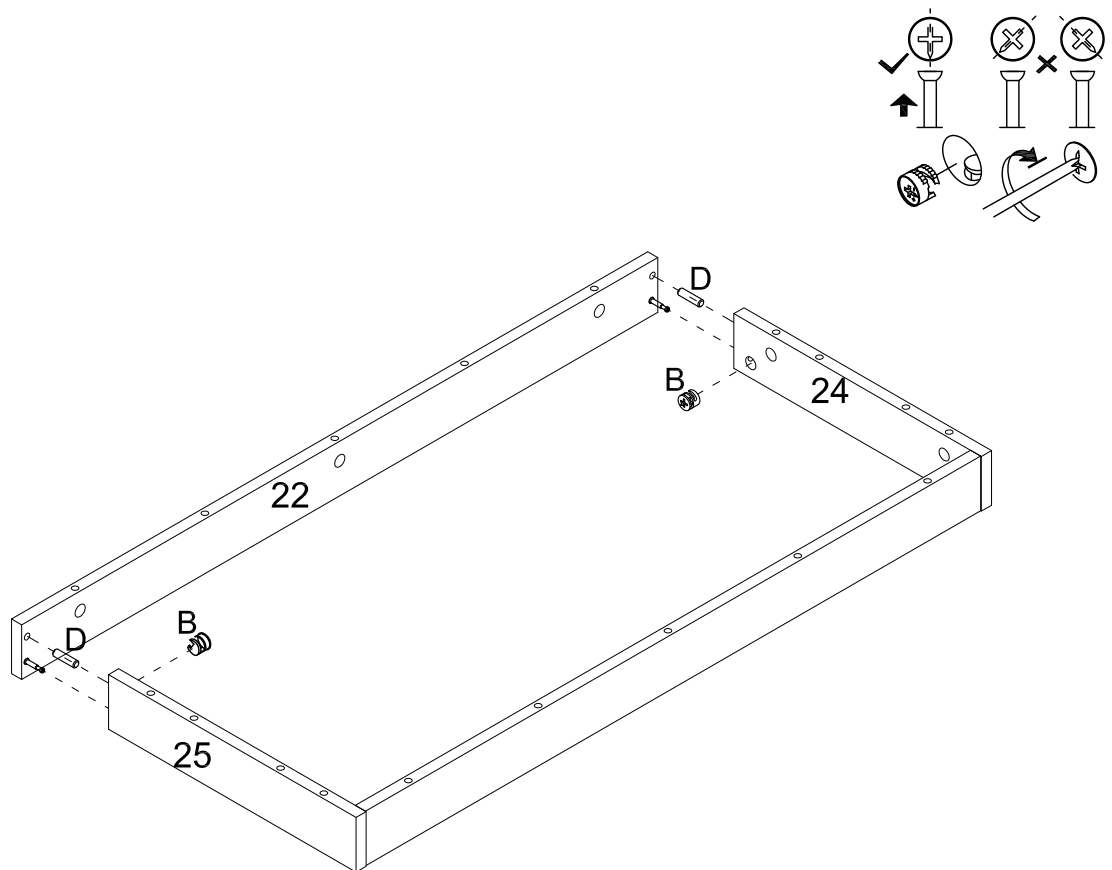
Step 18



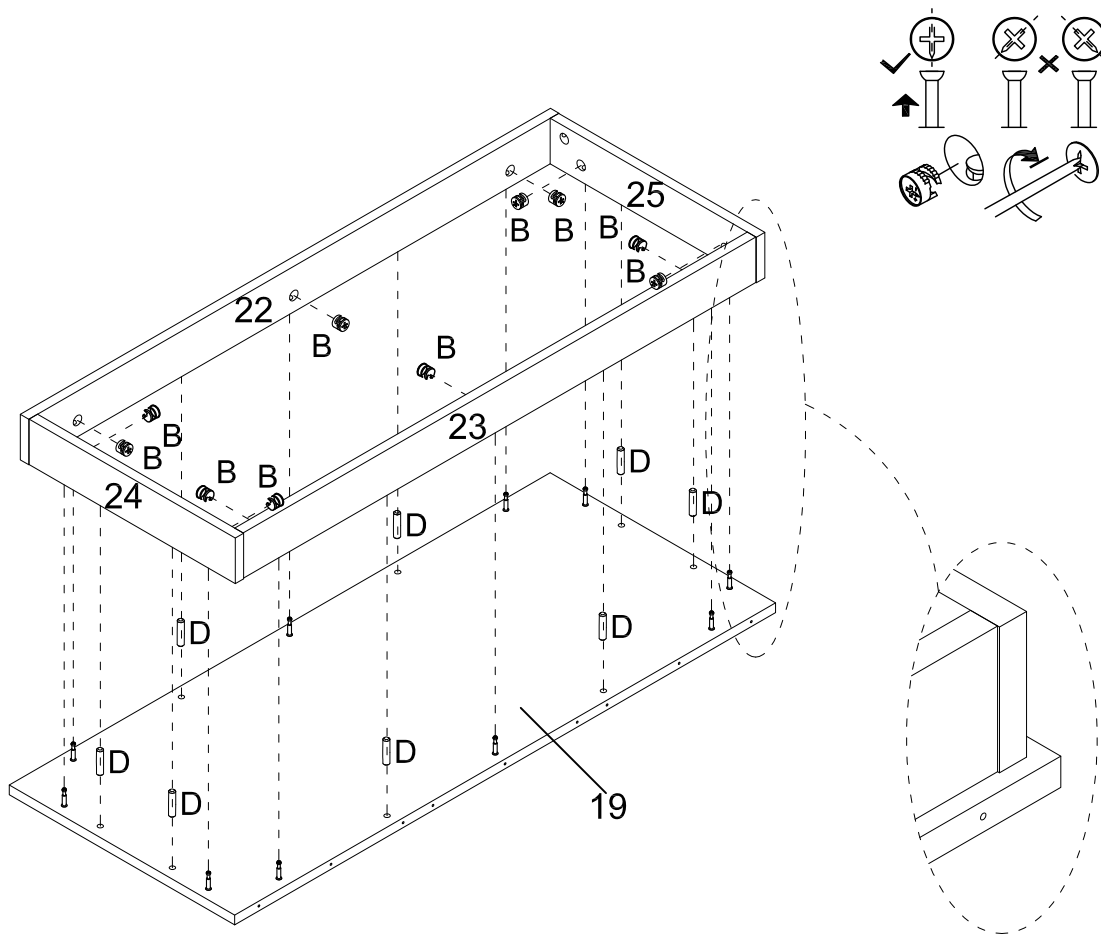
Step 19



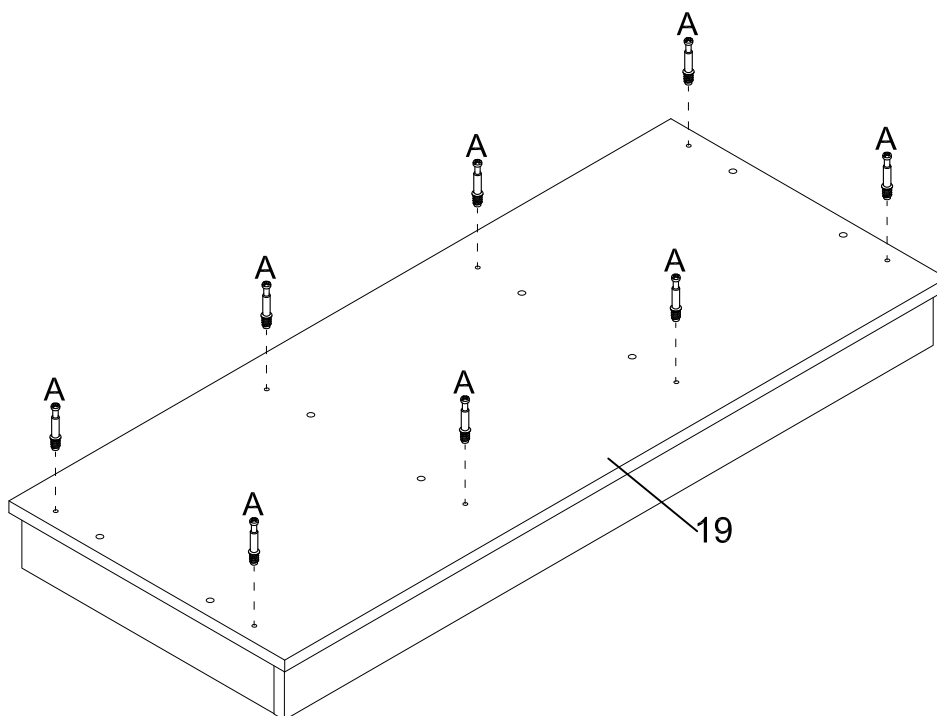
Step 20



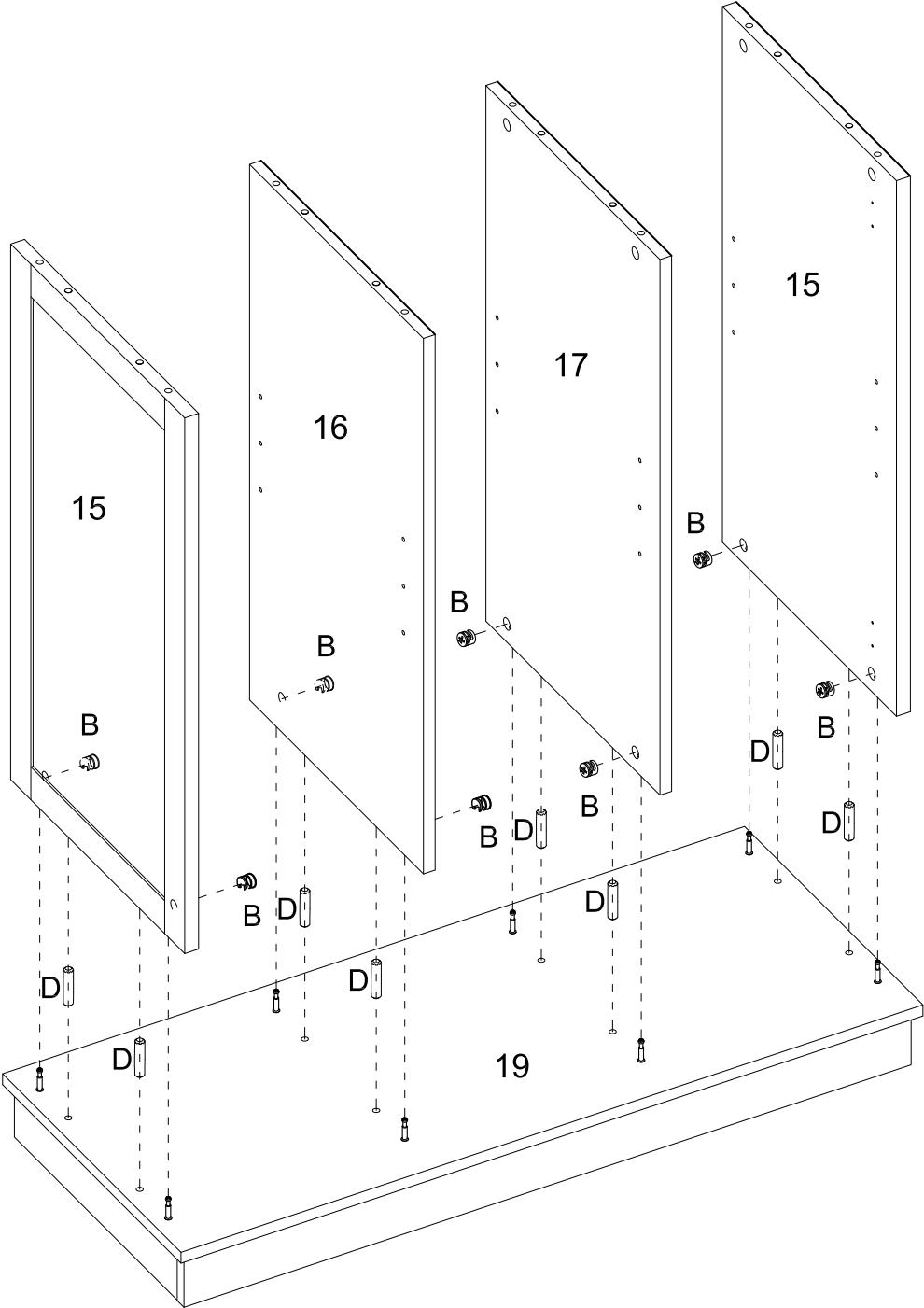
Step 21



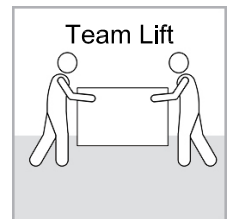
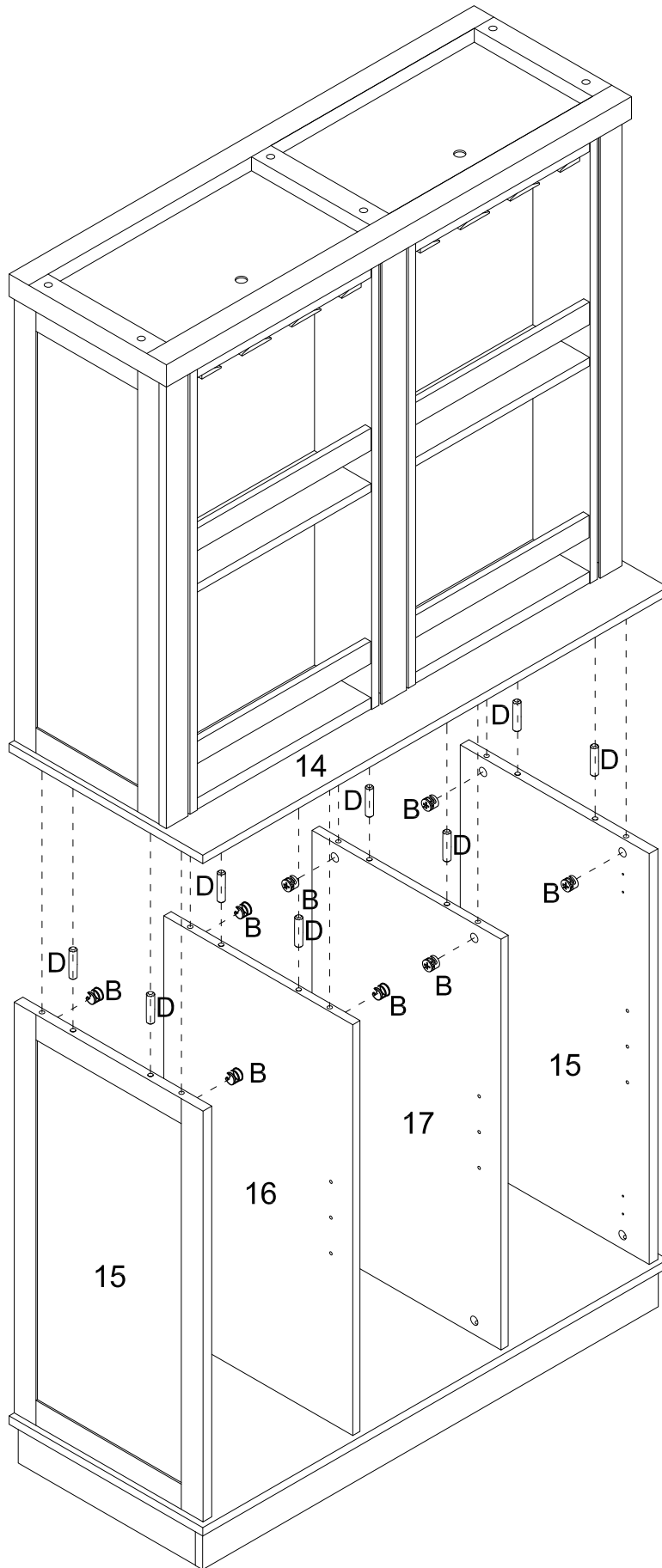
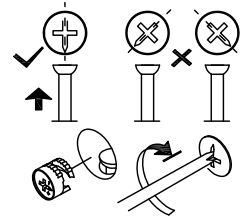
Step 22



Step 23

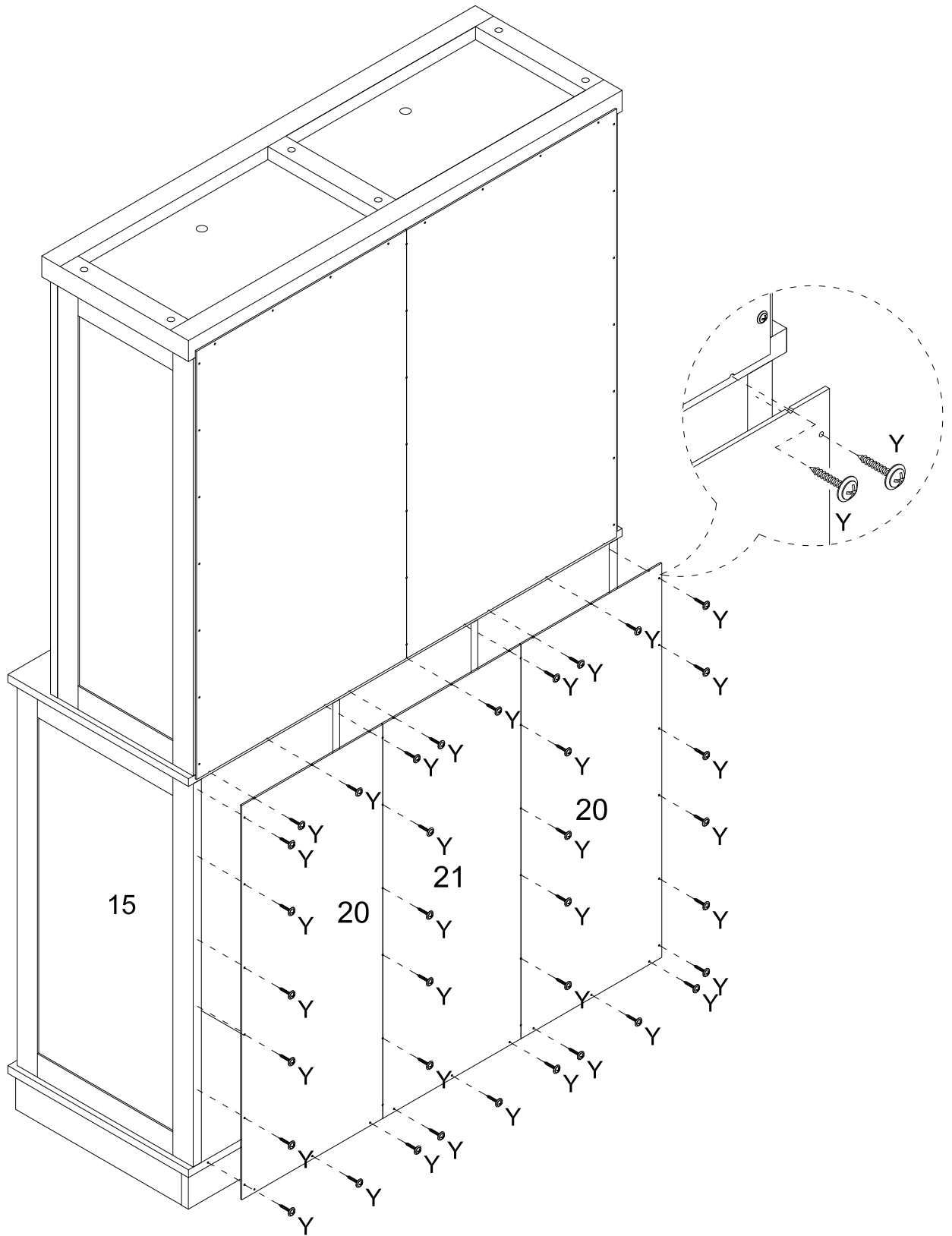


Step 24

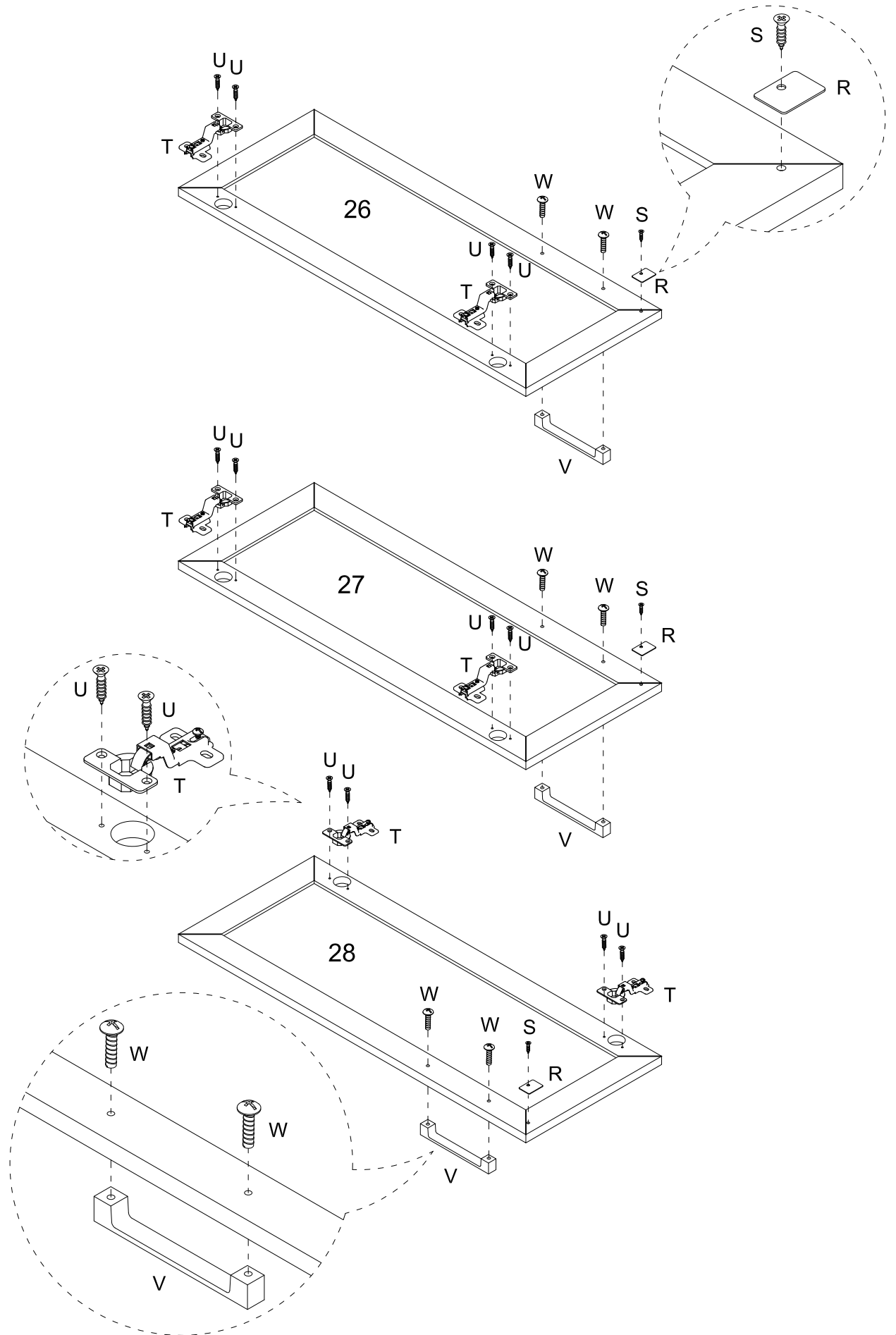


Make sure you have at least two people to put the top onto the base.

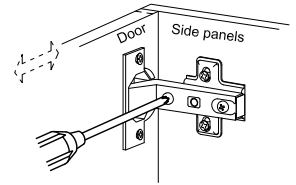
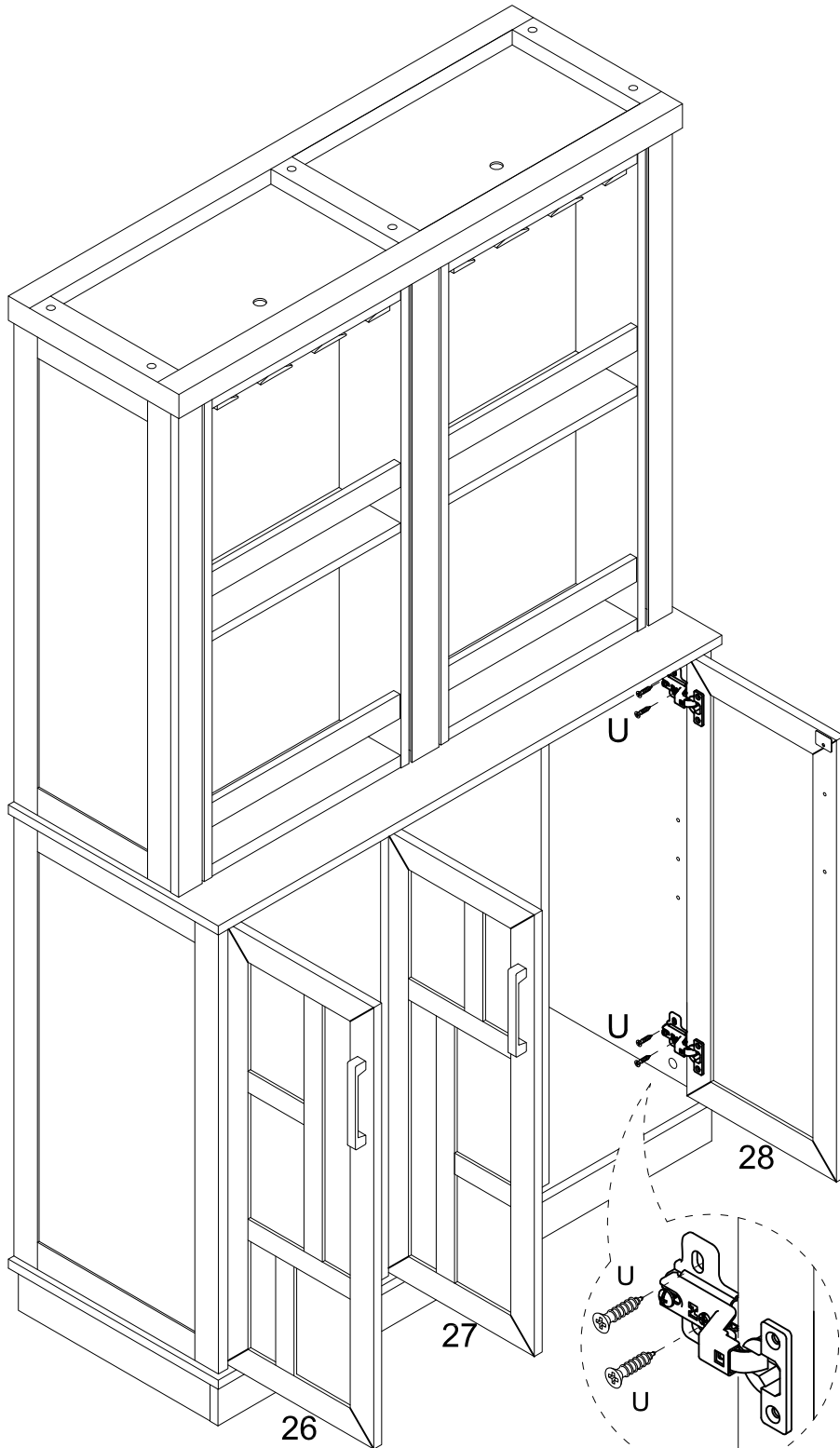
Step 25



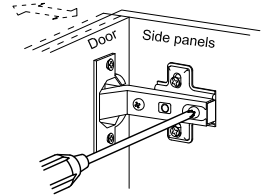
Step 26



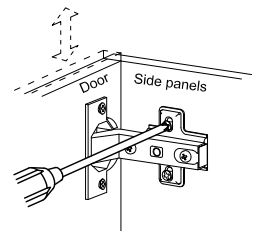
Step 27



Horizontal
by screw adjustment

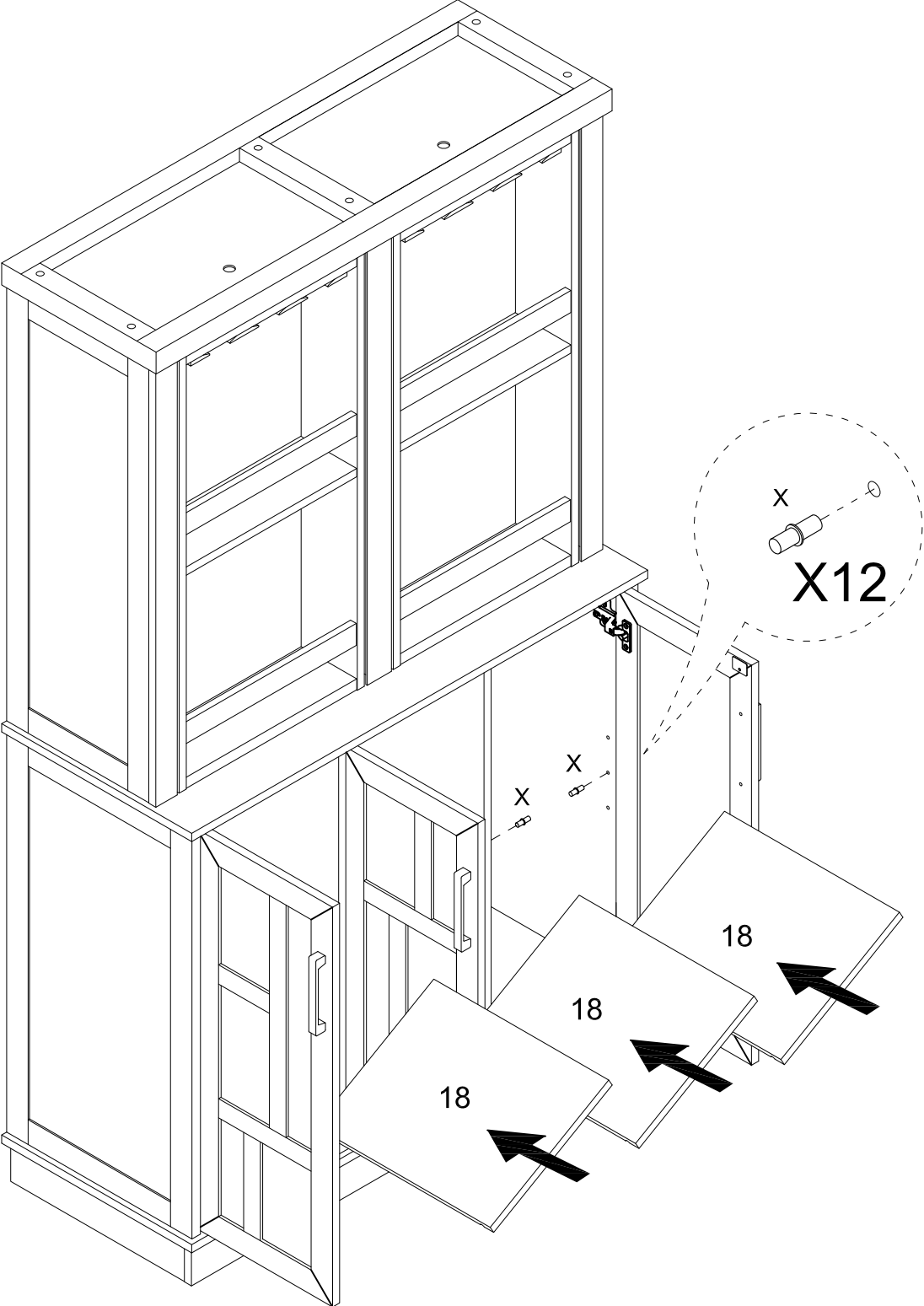


In-and-Out
by loosening the hinge-arm
mounting screw or via cam
adjustment

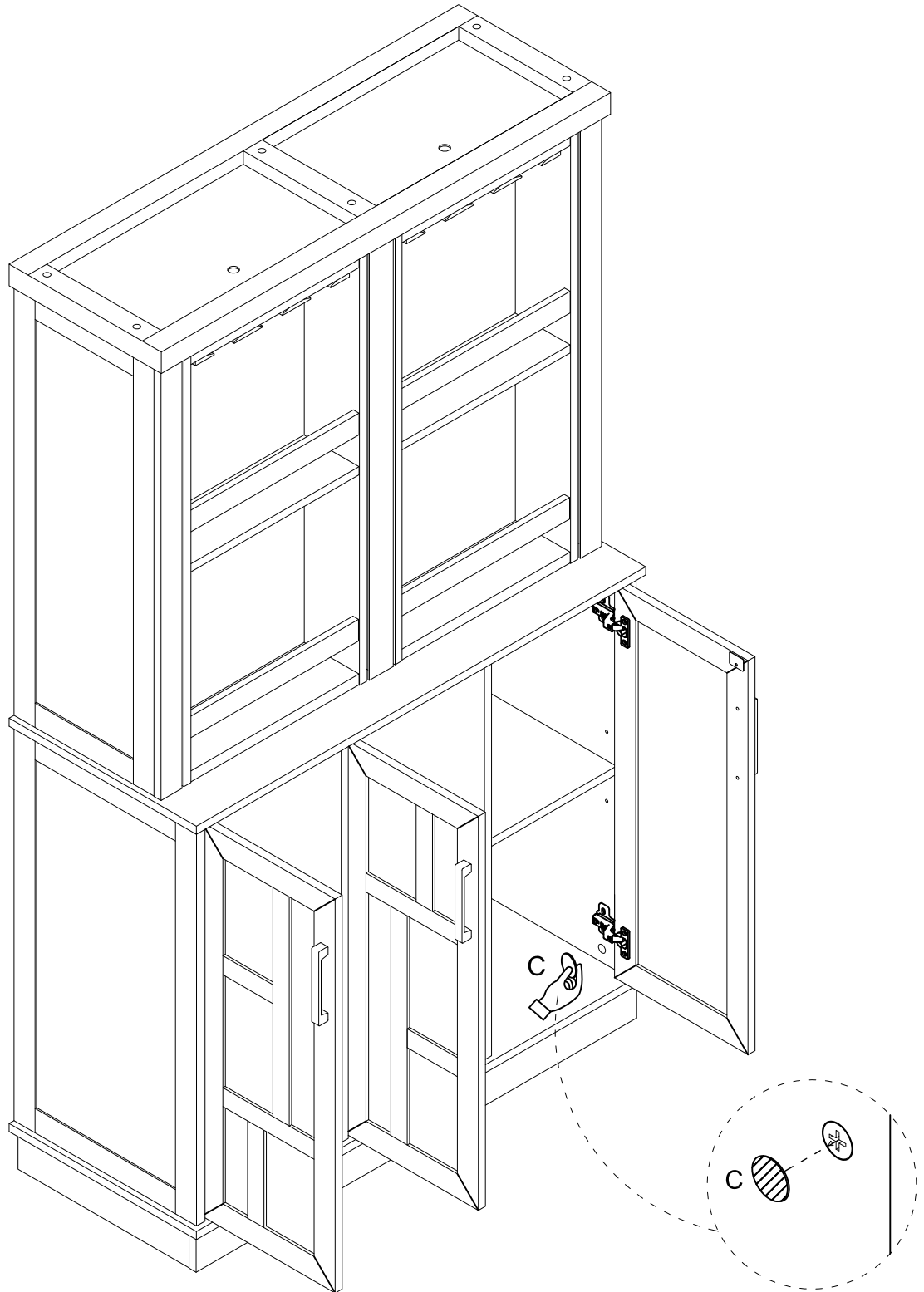


Vertical
Via slots in the mounting
plate or via cam
adjustment

Step 28



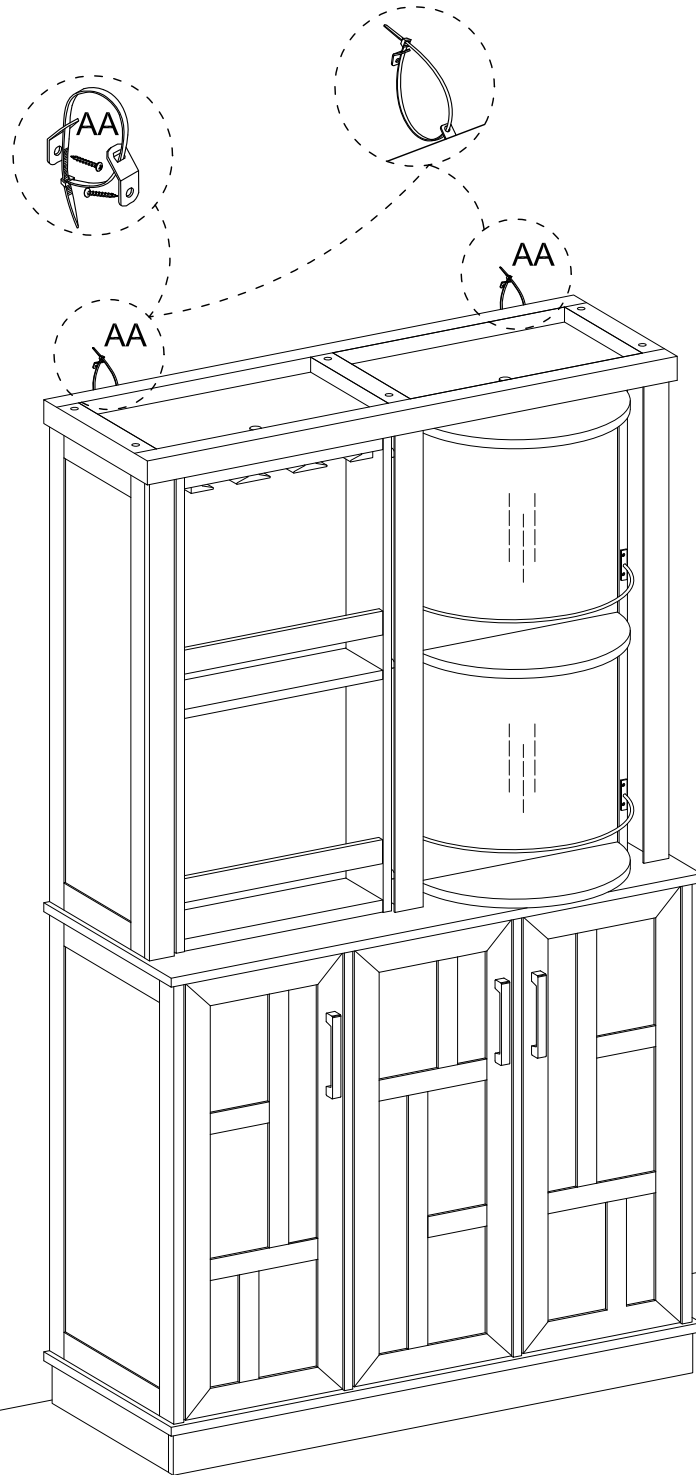
Step 29



Place sticker (C) to cover the holes as per diagram.

Step 30

Wall



Final Assembly