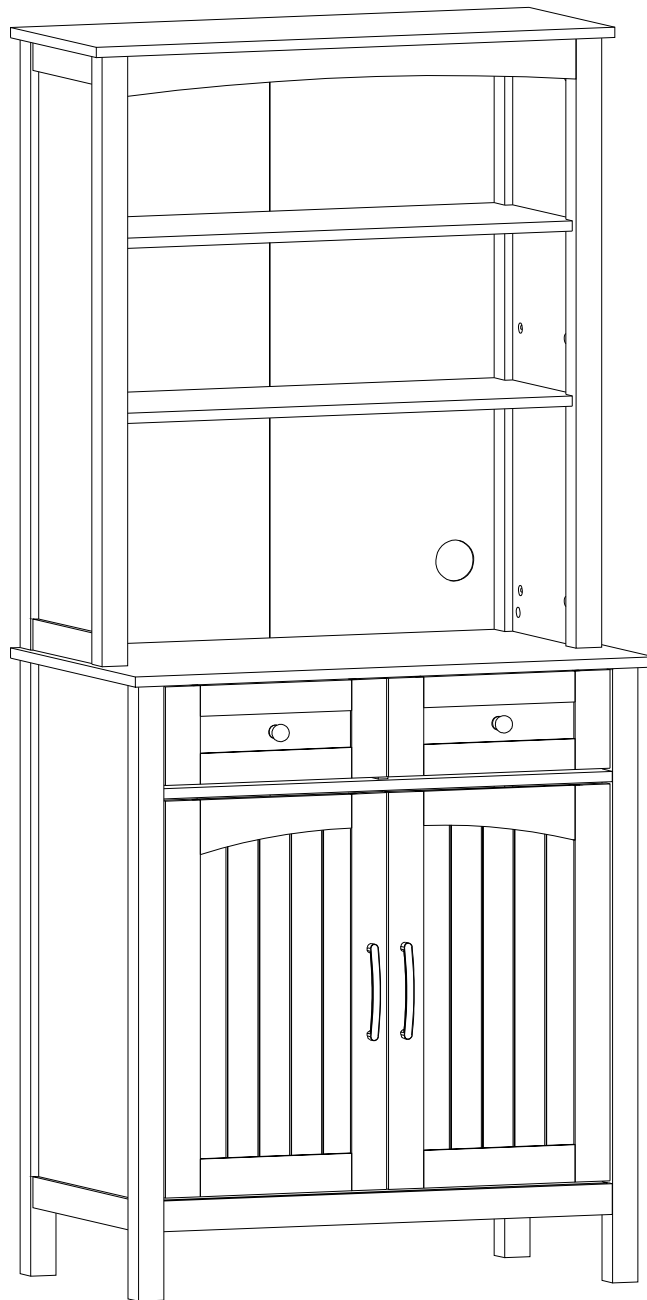


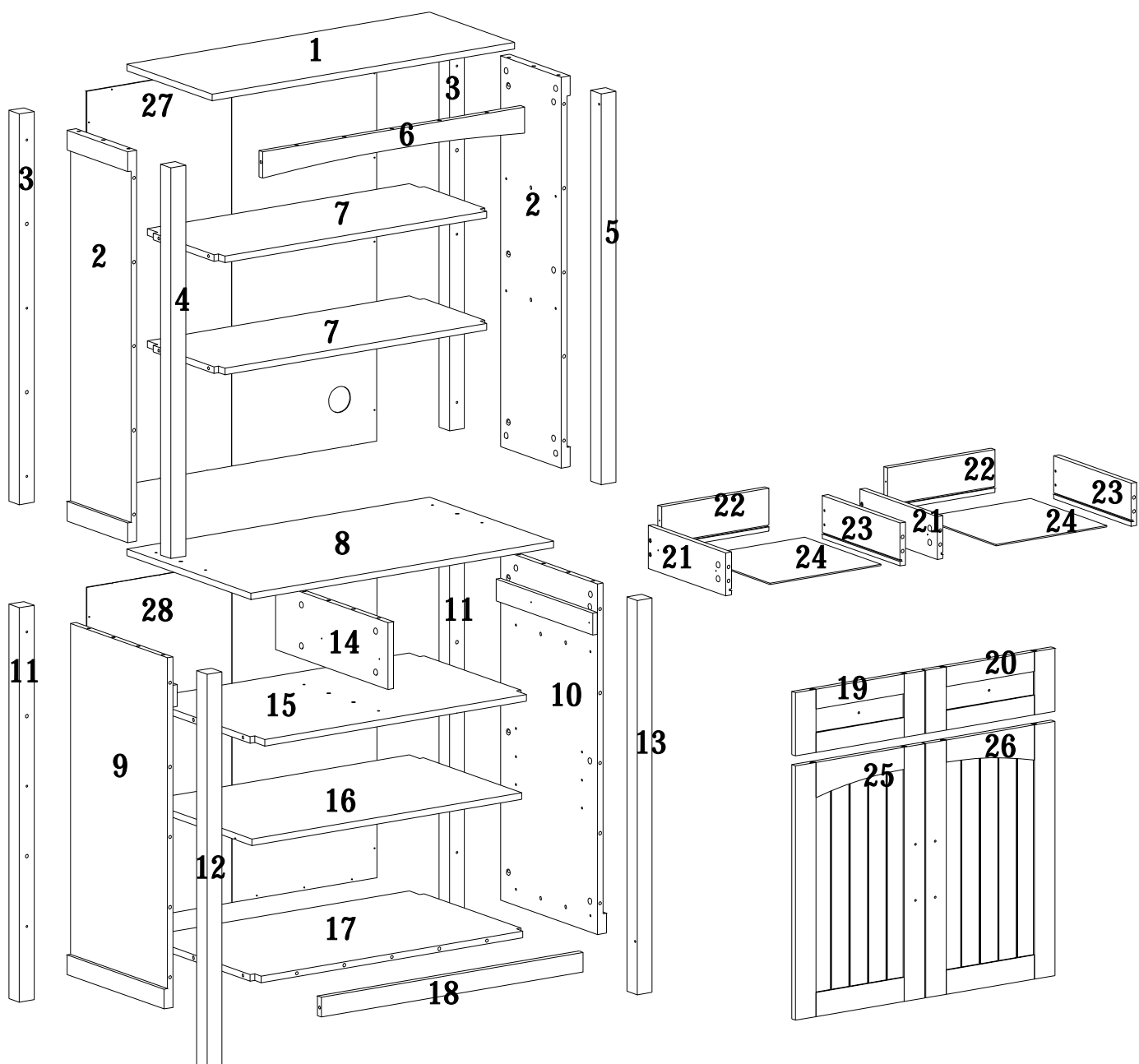
HOME SOURCE[®]

ASSEMBLY INSTRUCTIONS





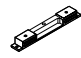








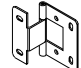
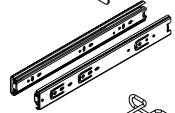
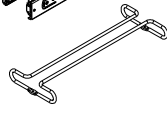

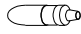

ITEM #: JZ46



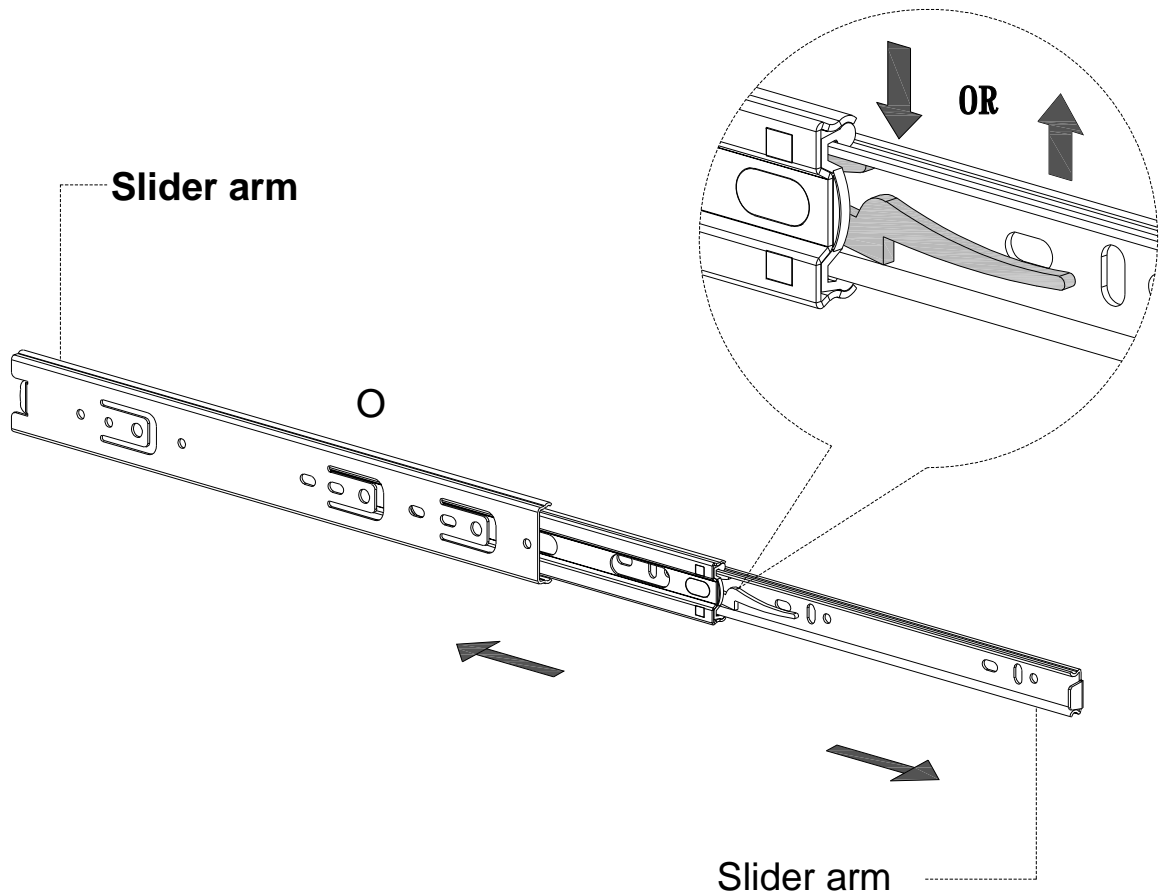
Parts List



Hardware List

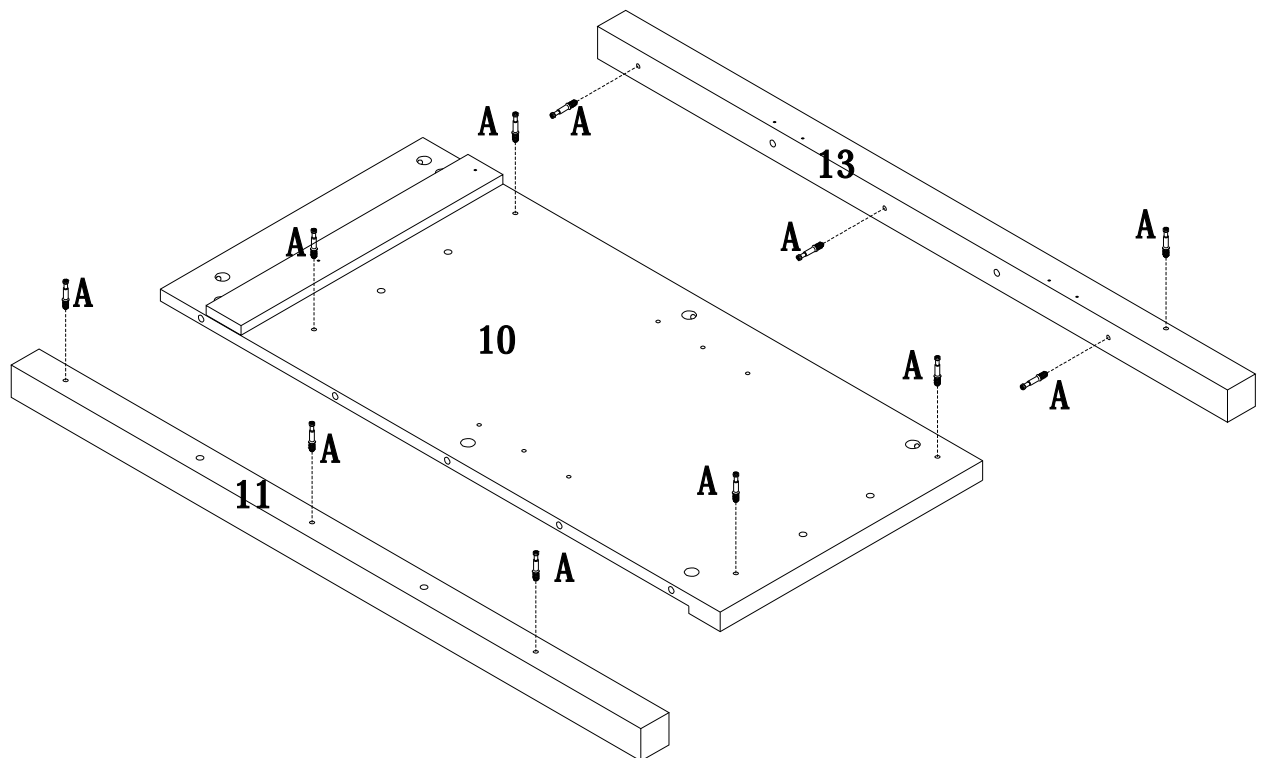
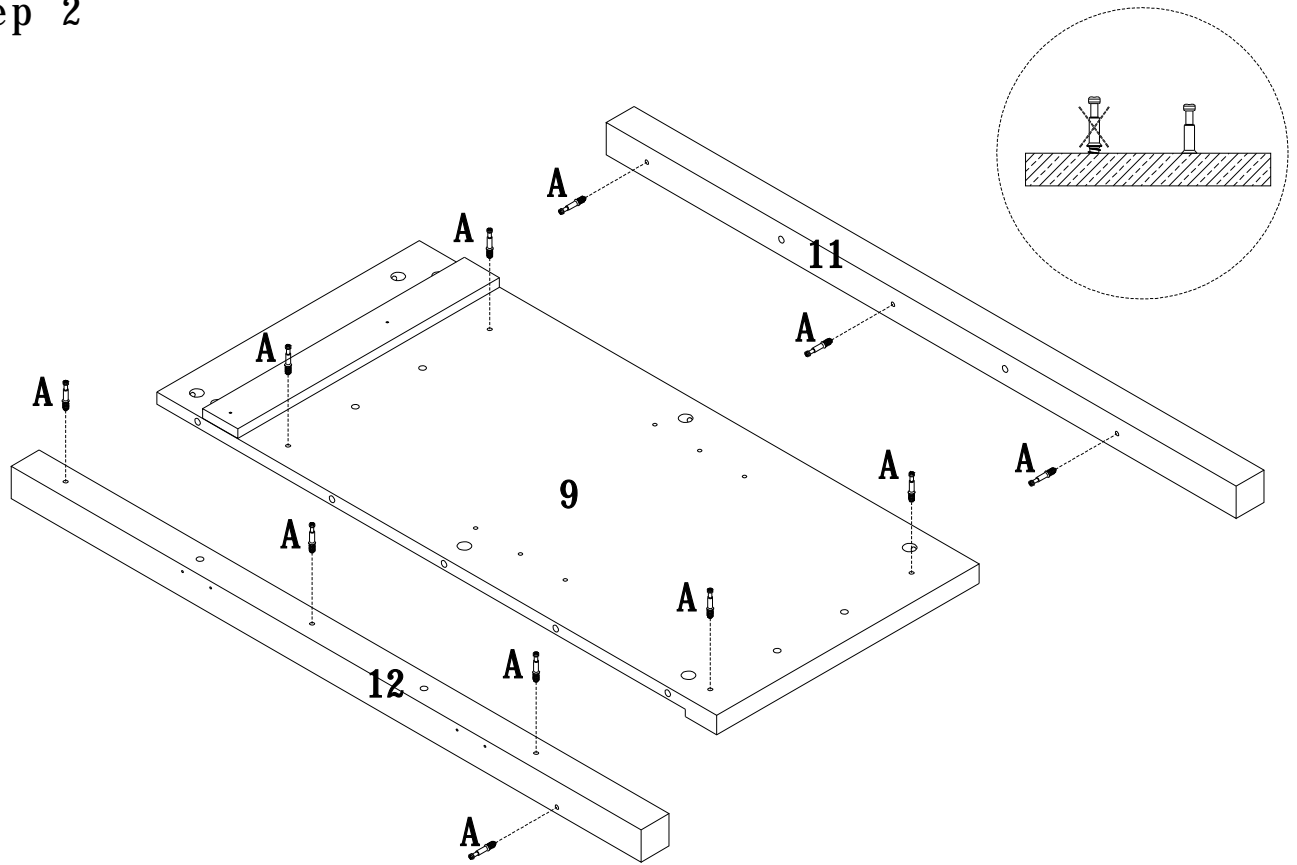
A		$\phi 5 * 25 \text{mm}$	Bolt	74 pcs
B		$\phi 15 * 12 \text{mm}$	Nut	74 pcs
C		$\phi 8 * 30 \text{mm}$	Wood Dowel	44 pcs
D		$\phi 5 * 16 \text{mm}$	Shelf Support	4 pcs
E			Magnet	1 pcs
F			Iron Sheet	2 pcs
G		$\phi 4 * 16 \text{mm}$	Screw	38 pcs
H		$\phi 3.5 * 16 \text{mm}$	Screw	50 pcs
I		$\phi 4 * 32 \text{mm}$	Bolt	8 pcs
J			Handle	2 pcs
K			Handle	2 pcs
L		M4*15	Bolt	2 pcs
M		M4*20	Bolt	4 pcs
N			Door hinge	4 pcs
O			Drawer slider	2 pcs
P			Wine cup holder	2 pcs
Q		$\phi 25 \text{mm}$	Stiker	74 pcs
R			Glue	1 pc
S			Anti-Tipping Kit	2 sets

Step 1

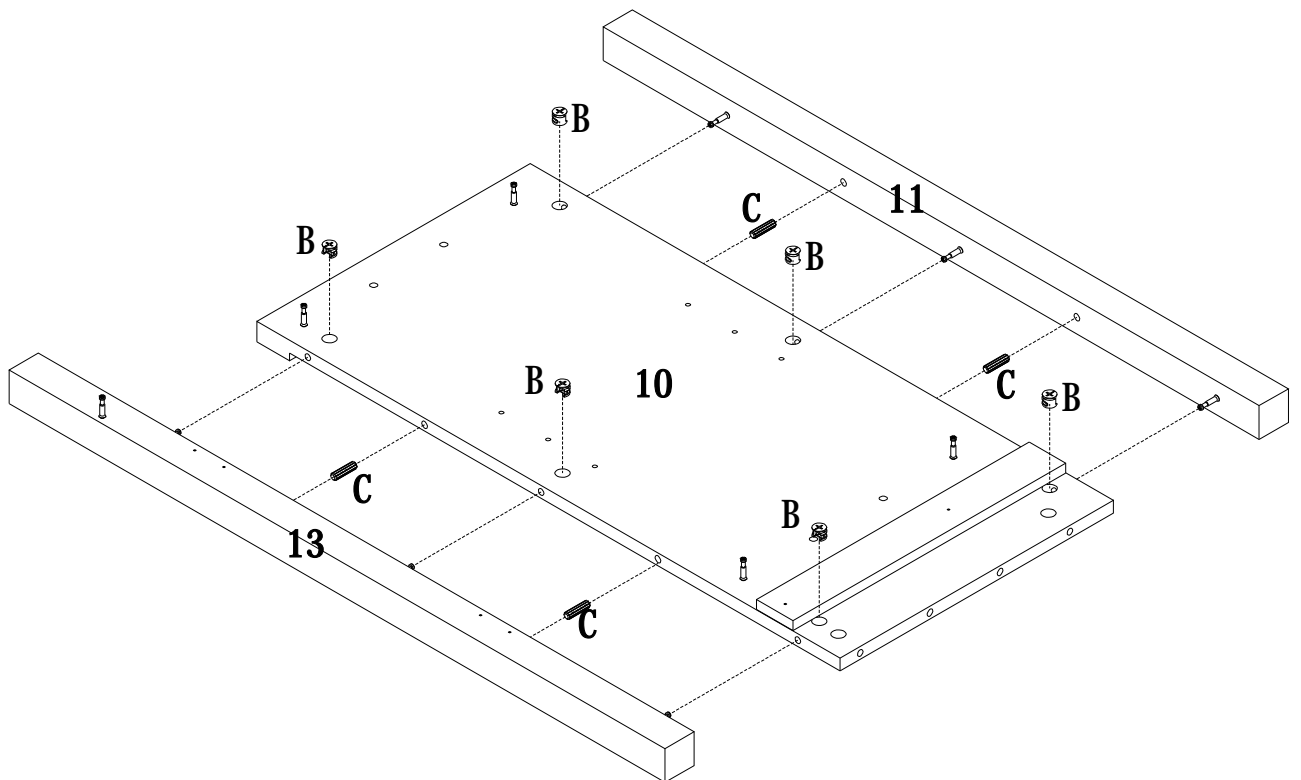
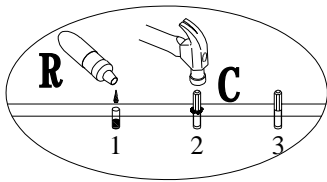
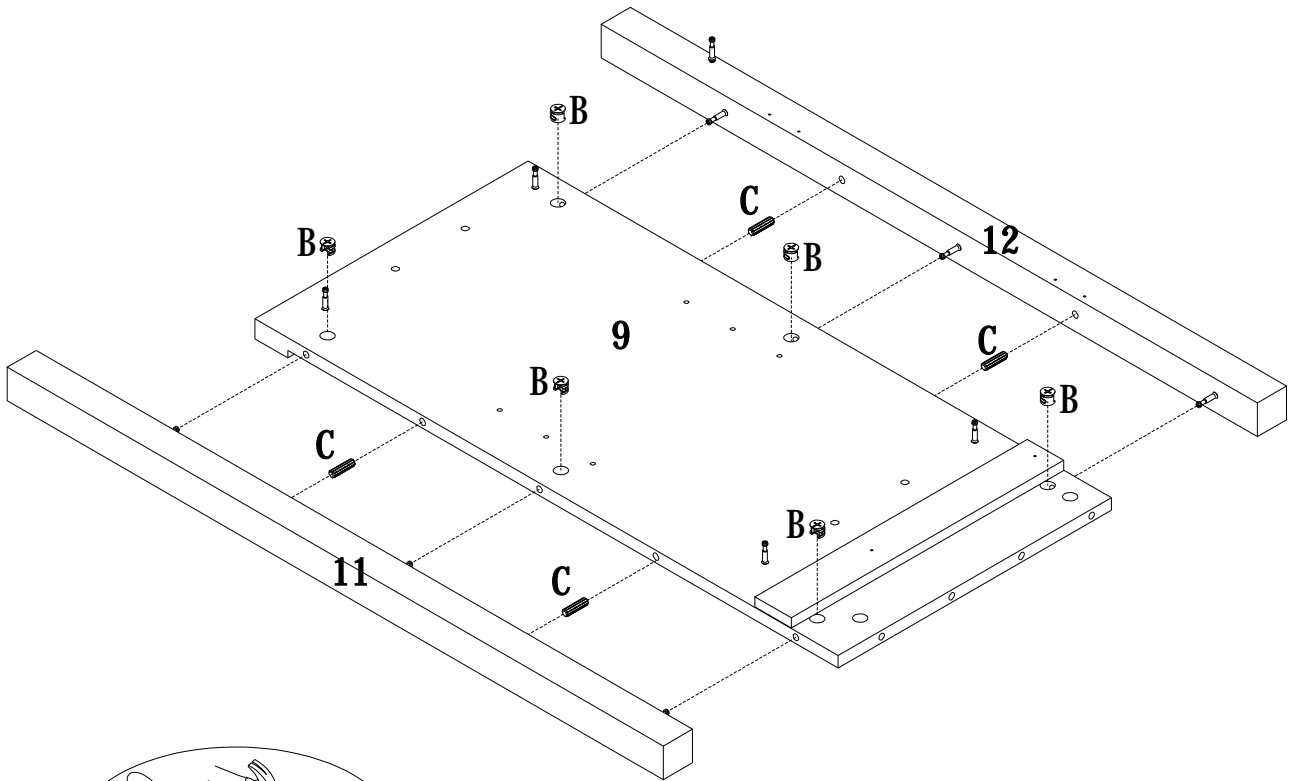
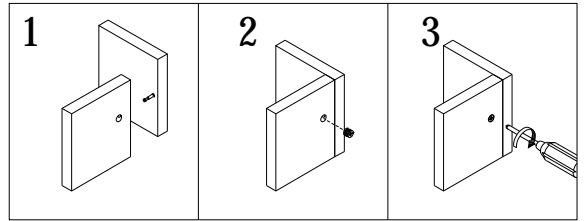


Disassemble drawer slider (O) by sliding the slider arm and slider bracket apart. Press the small lever of the slider bracket and carefully pull the two pieces apart. Repeat this process for both drawer sliders (O).

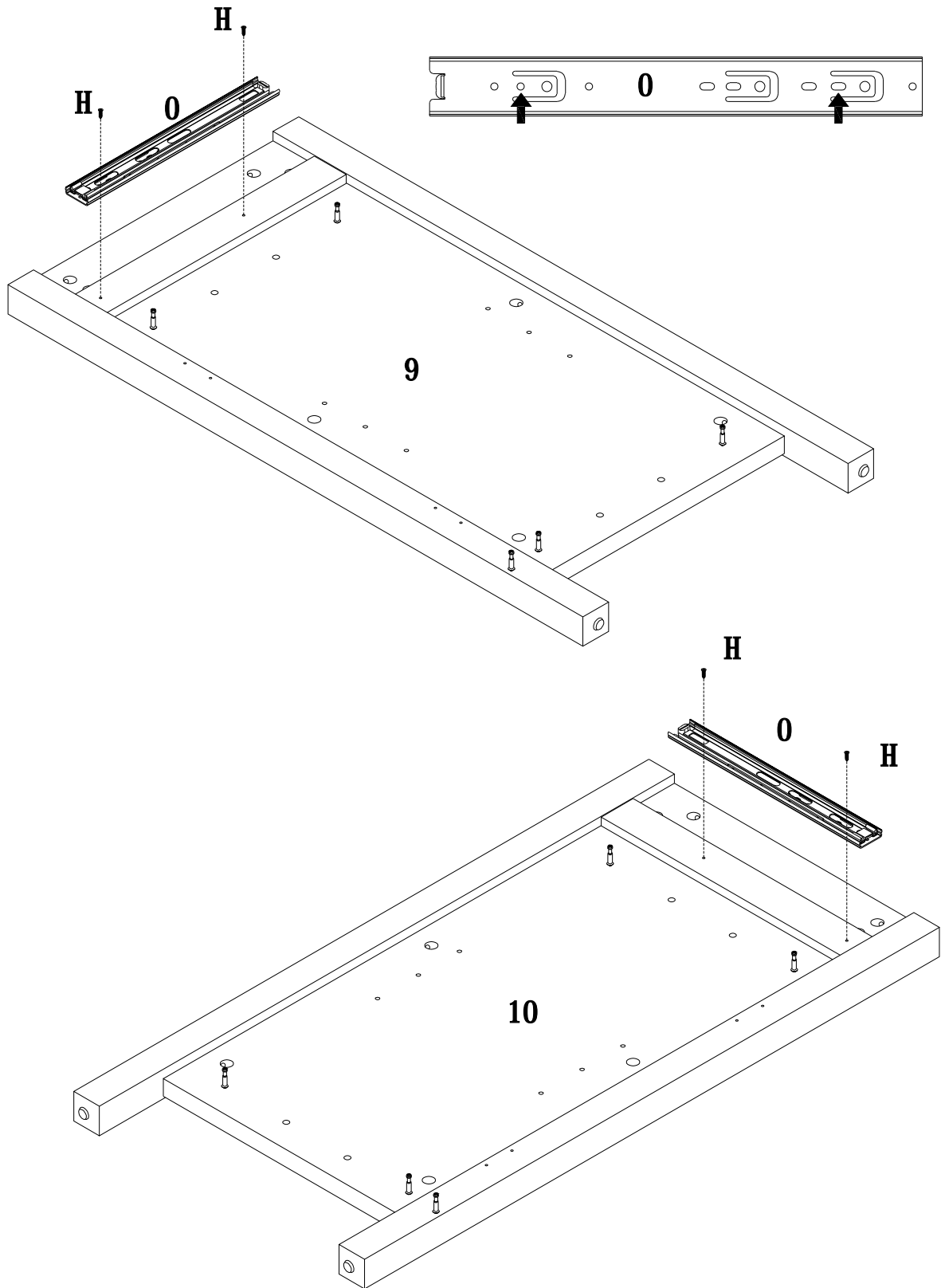
Step 2



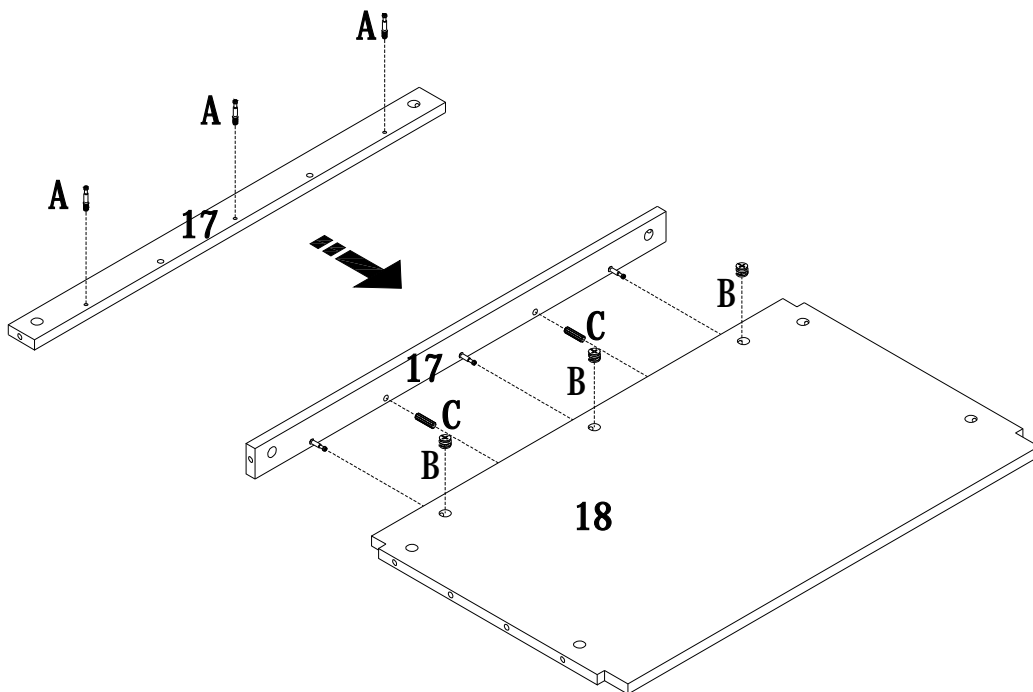
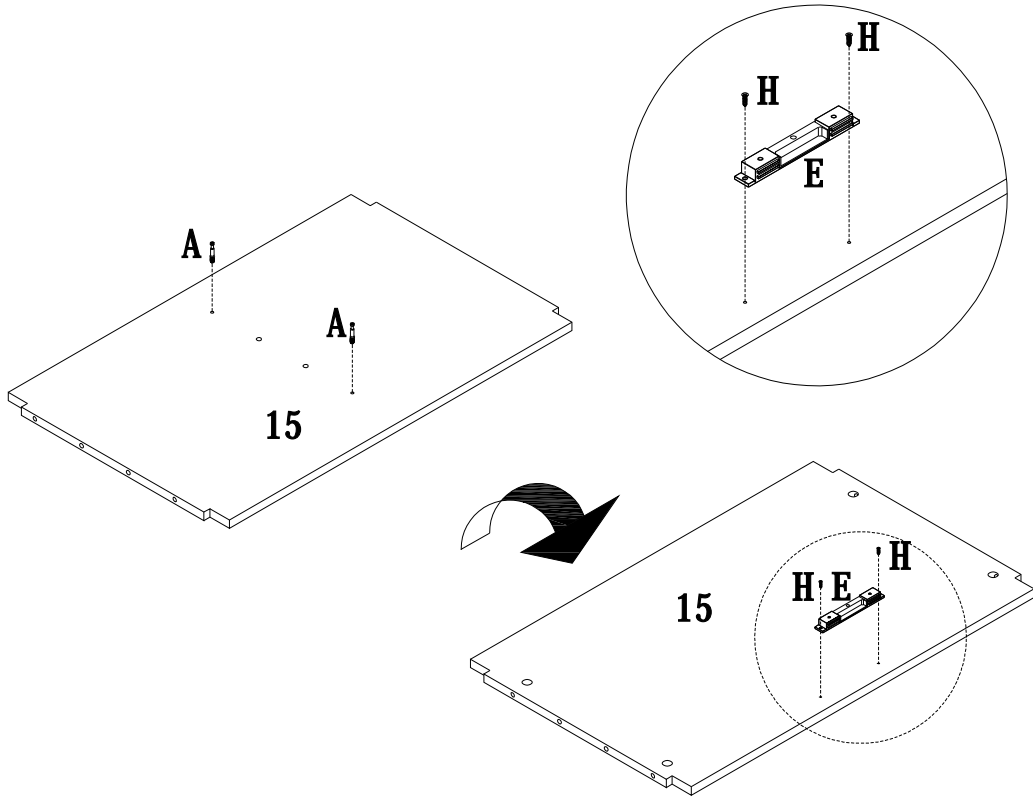
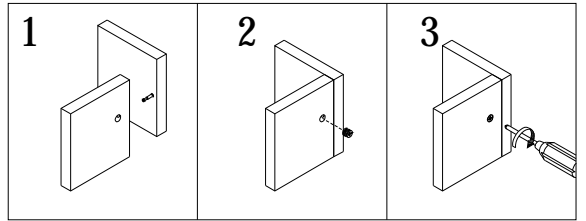
Step 3



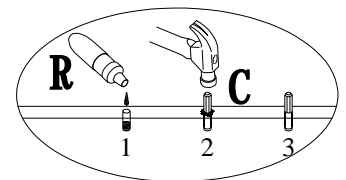
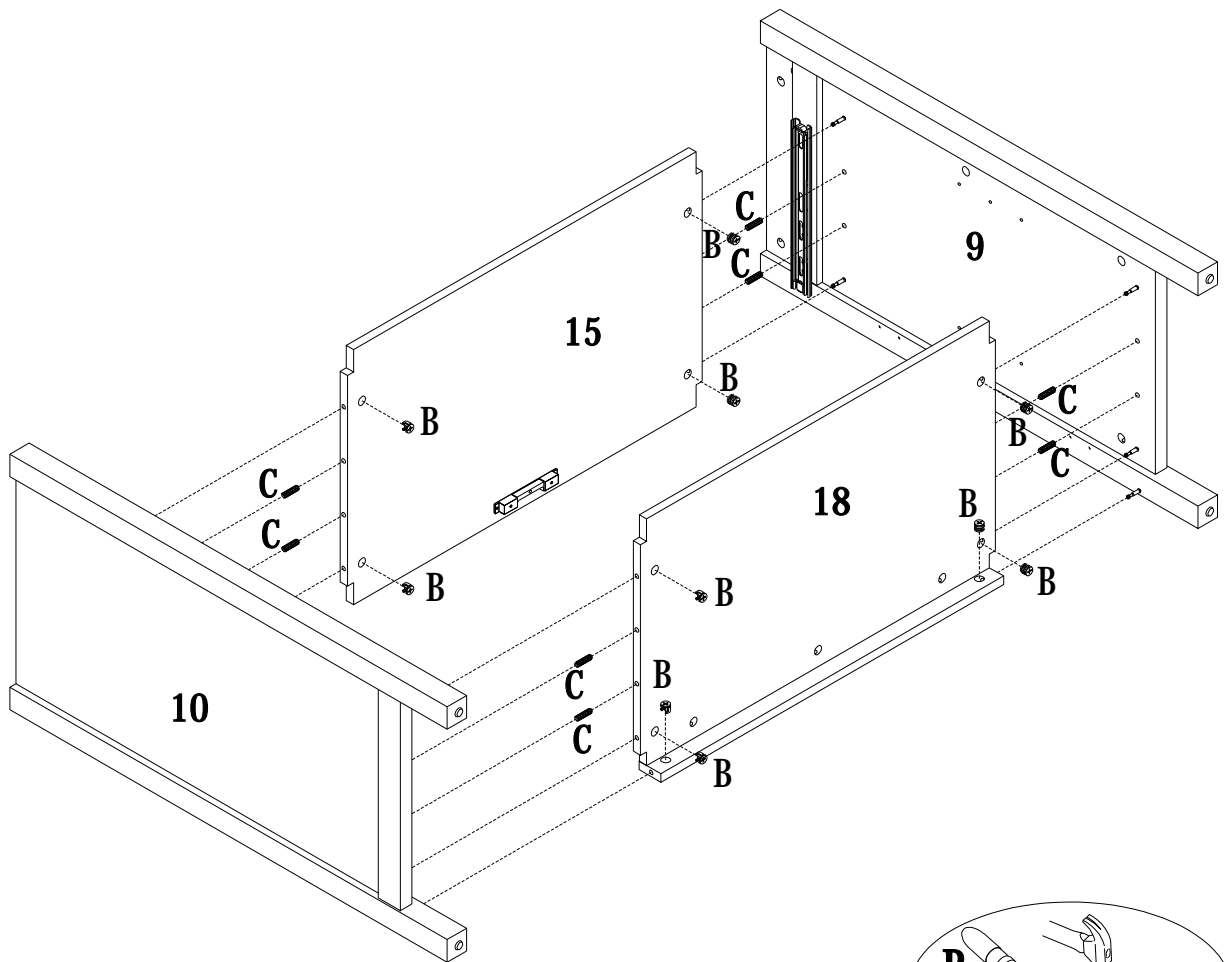
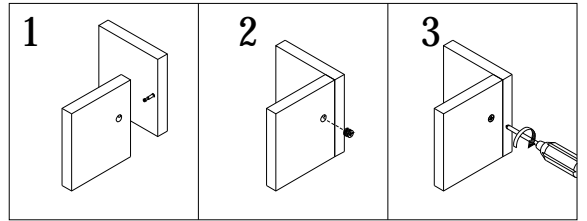
Step 4



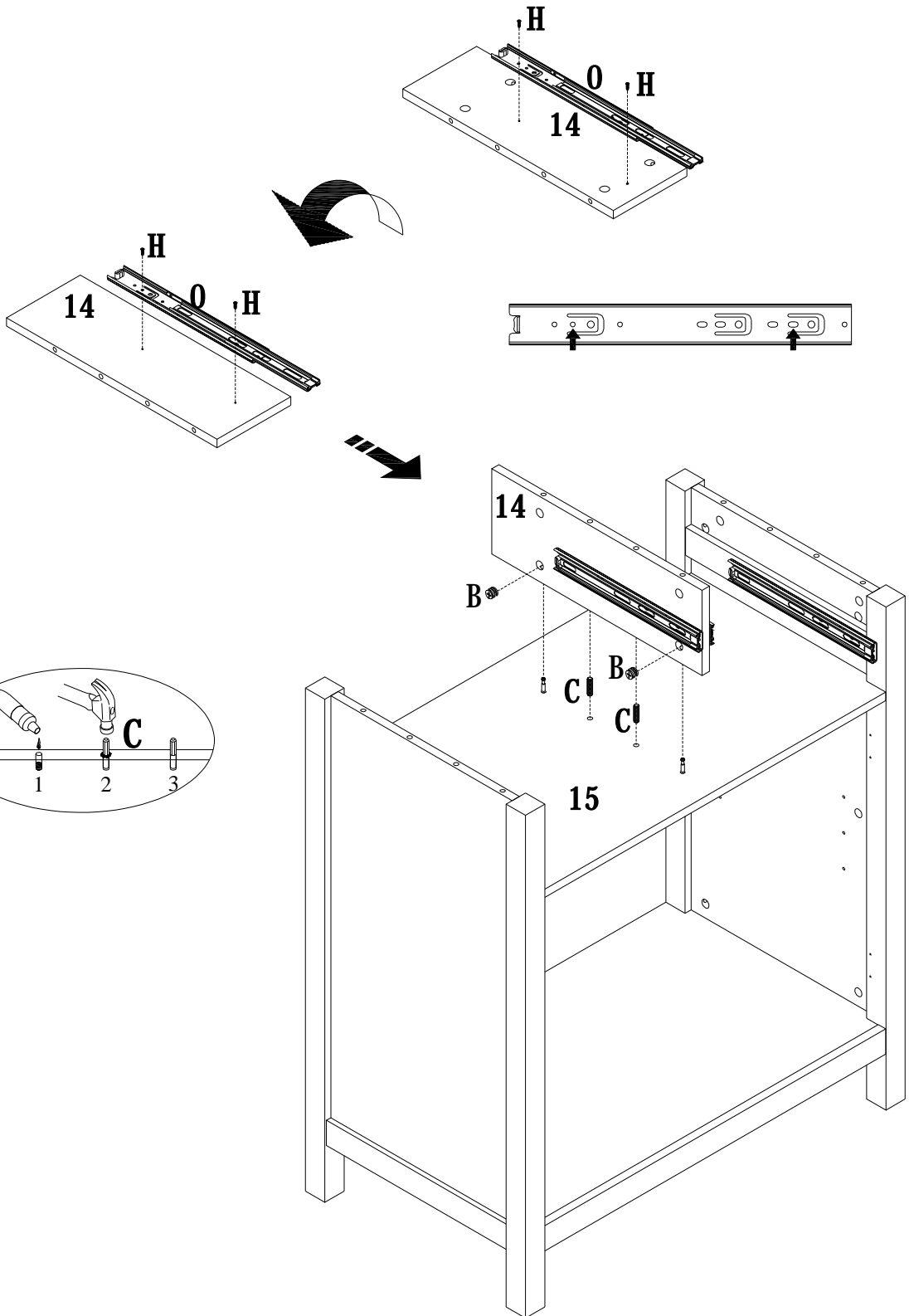
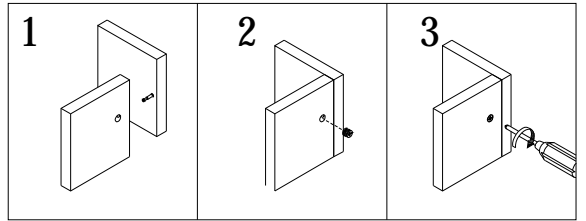
Step 5



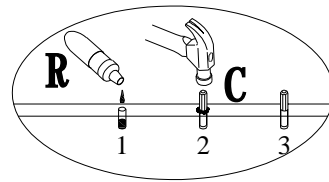
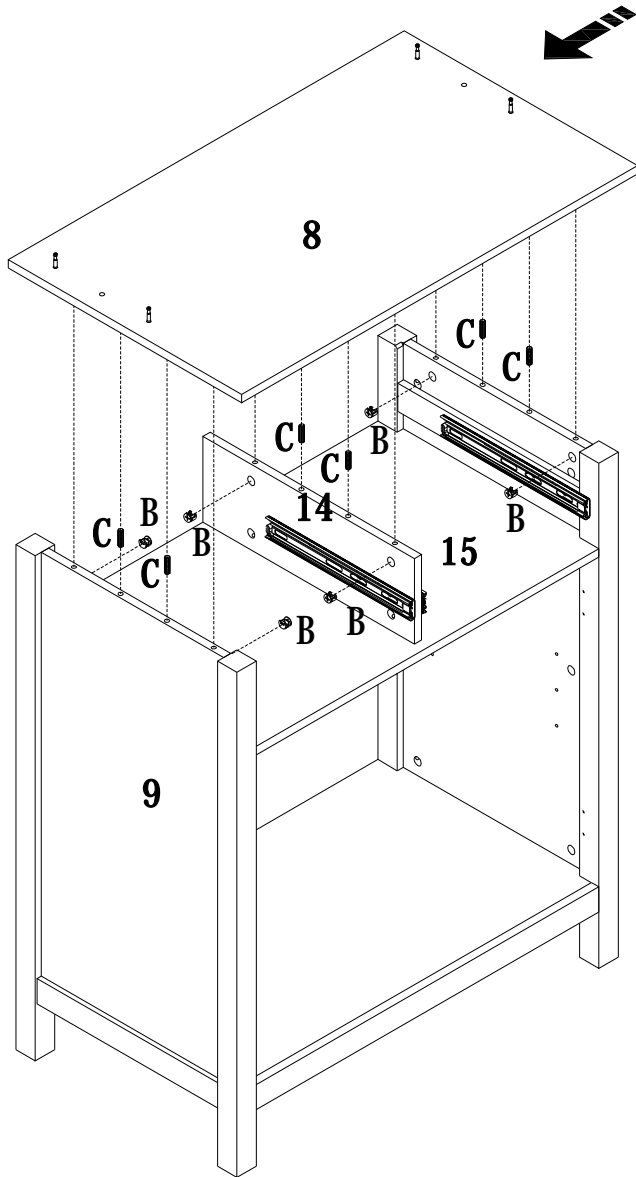
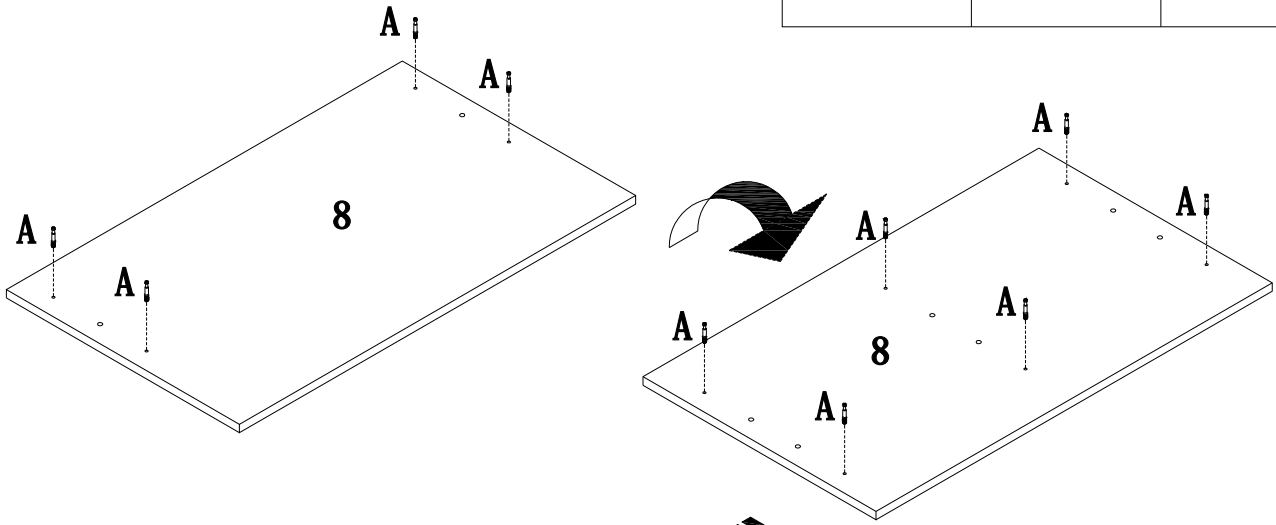
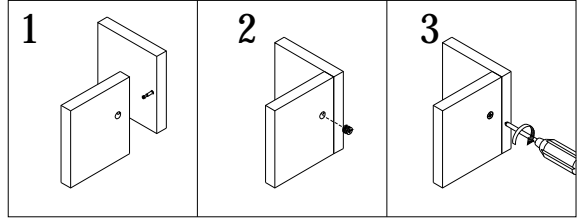
Step 6



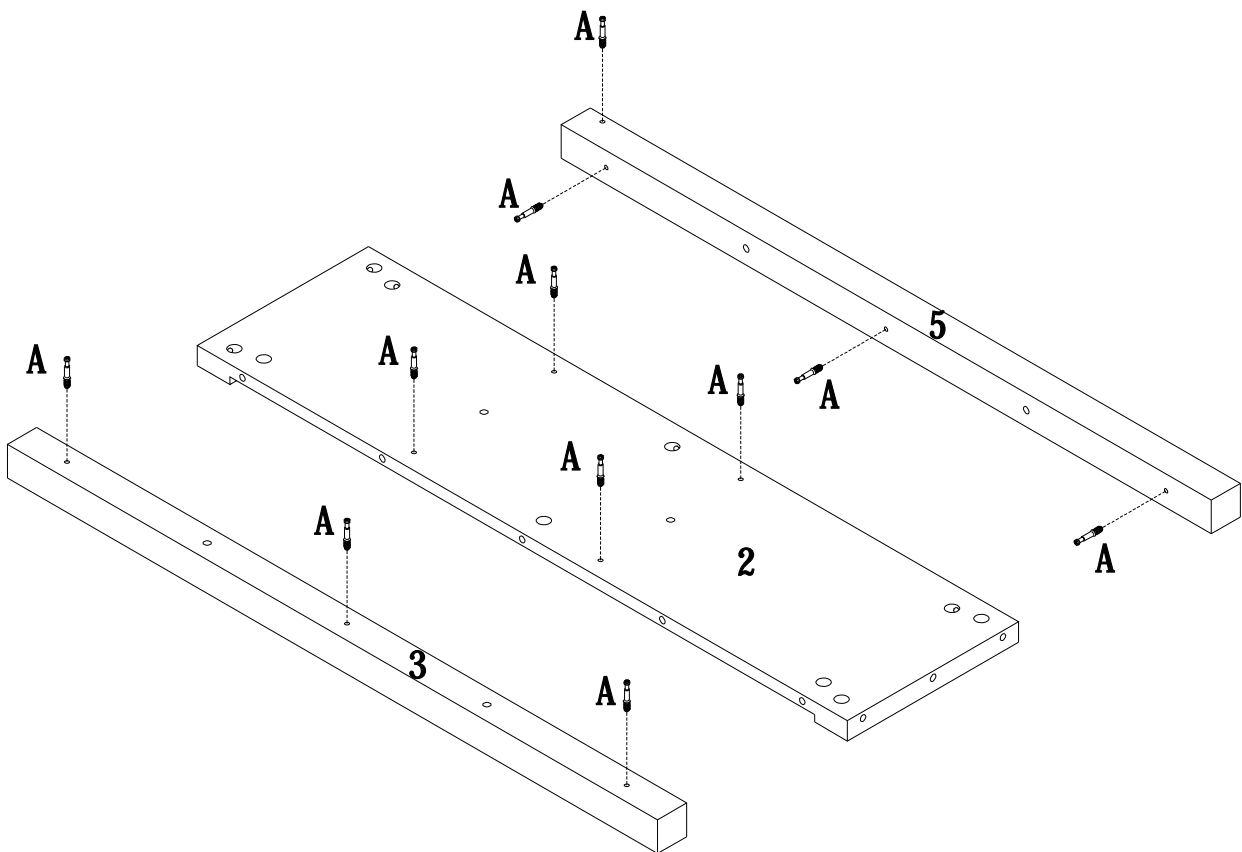
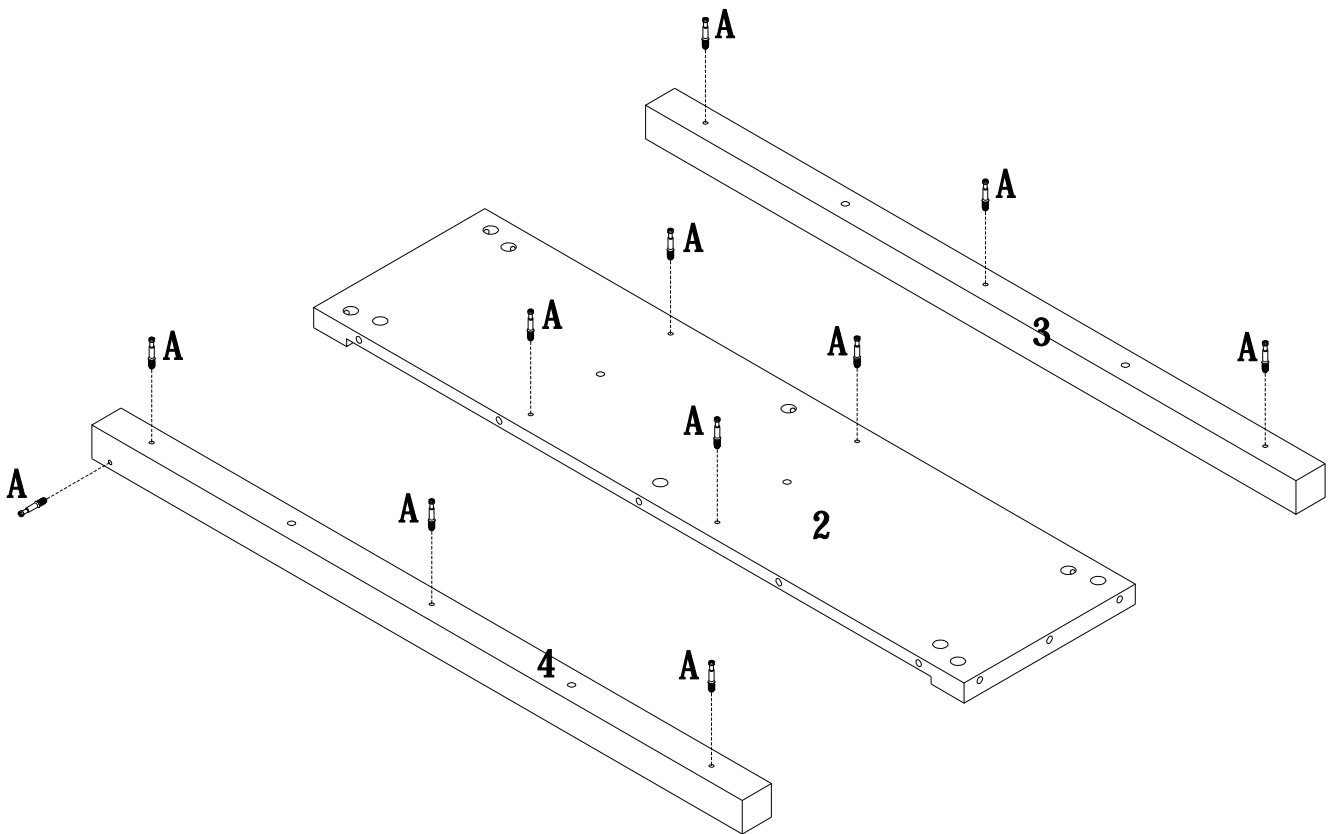
Step 7



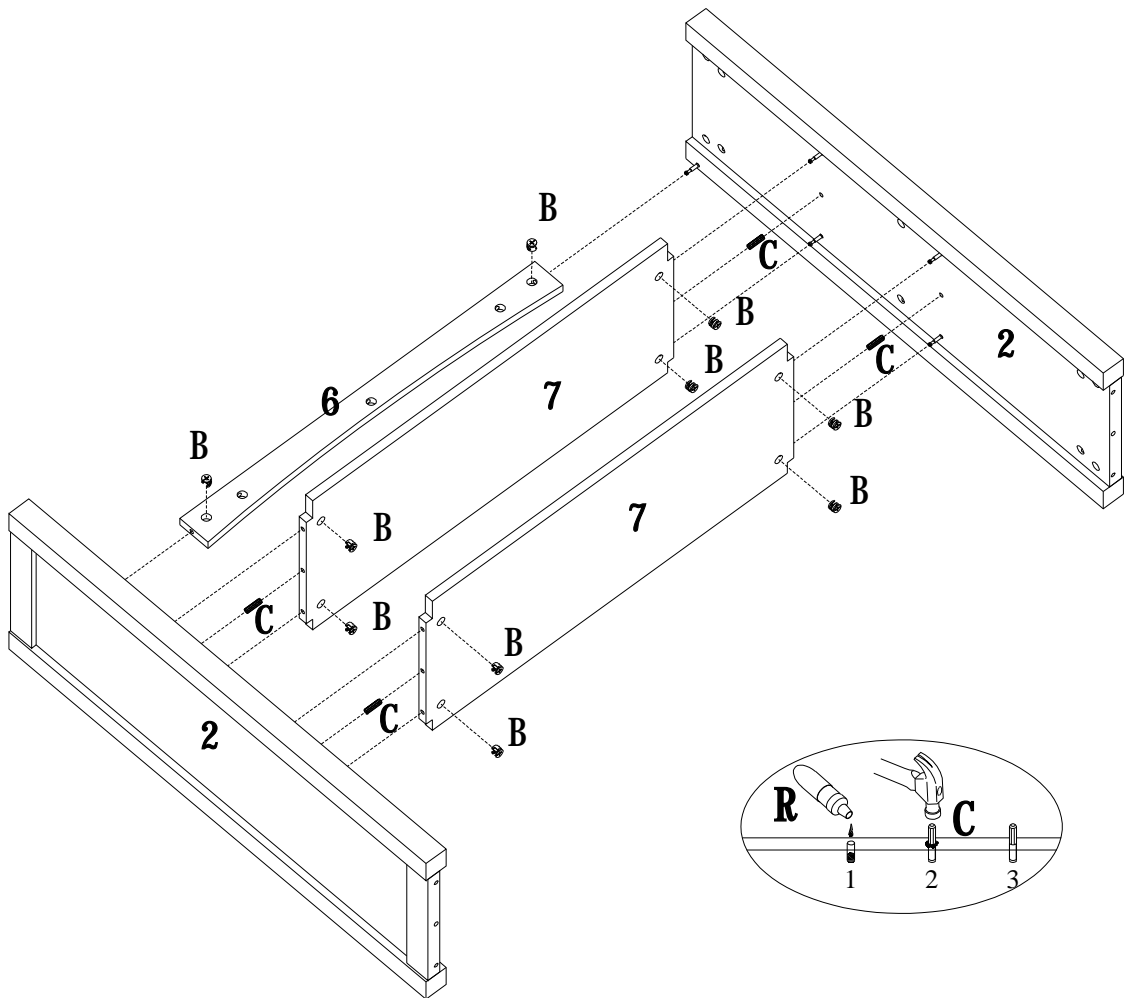
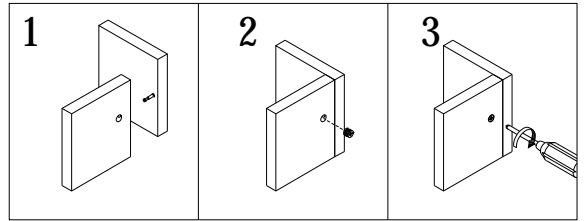
Step 8



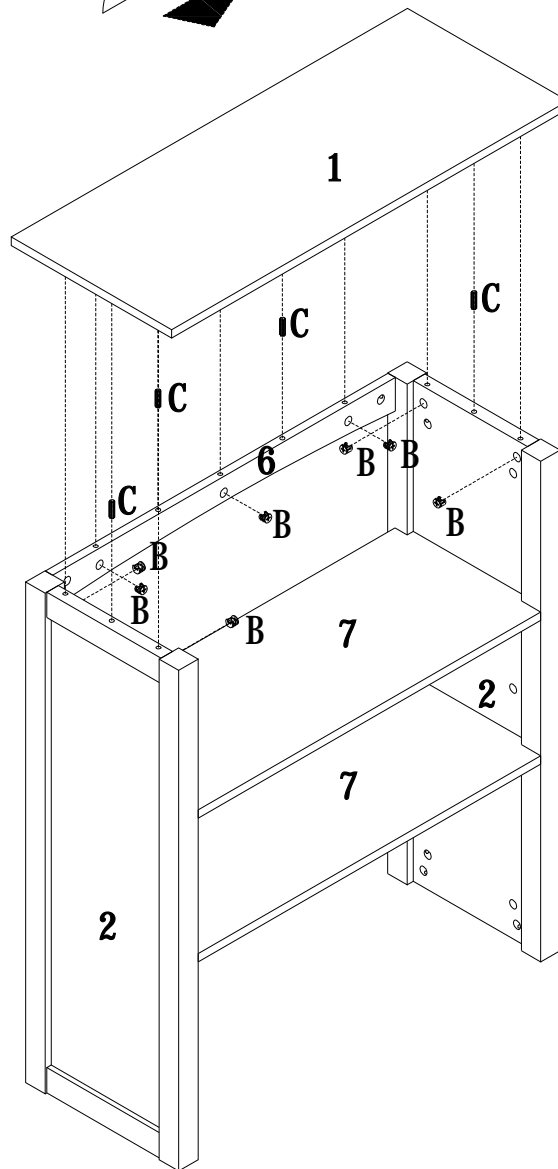
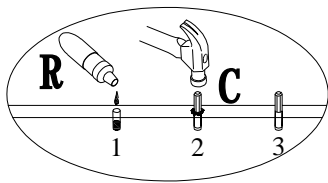
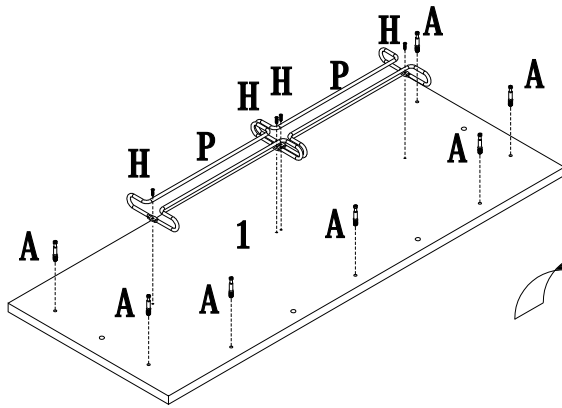
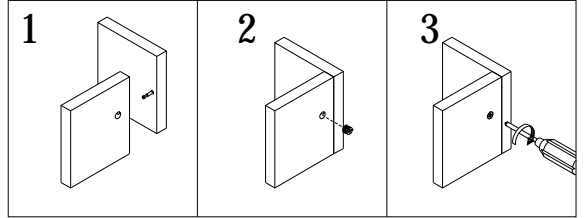
Step 9



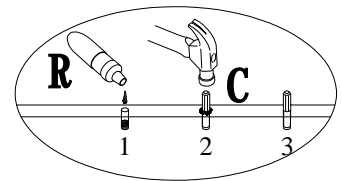
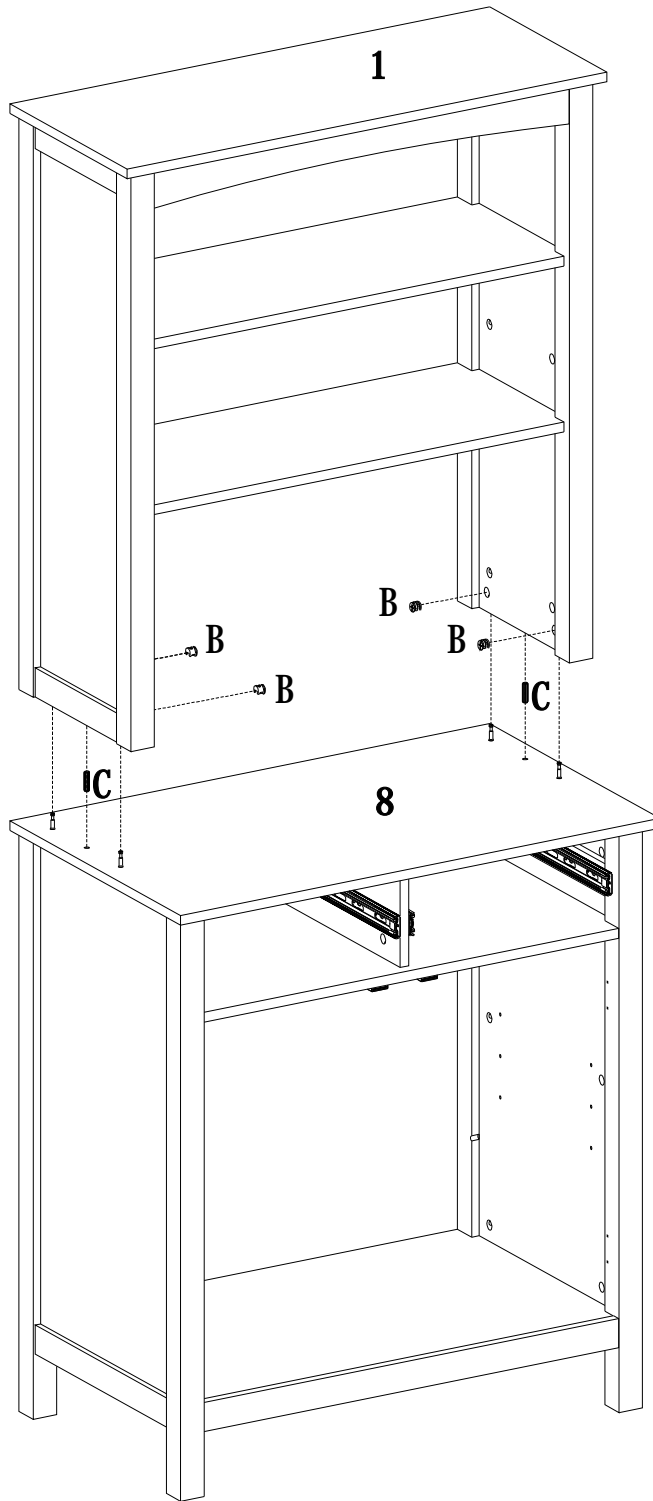
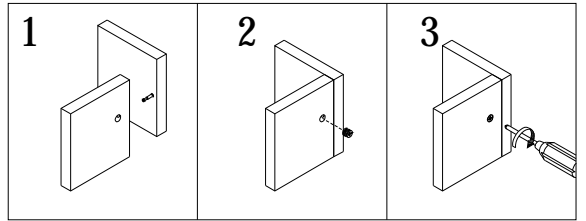
Step 11



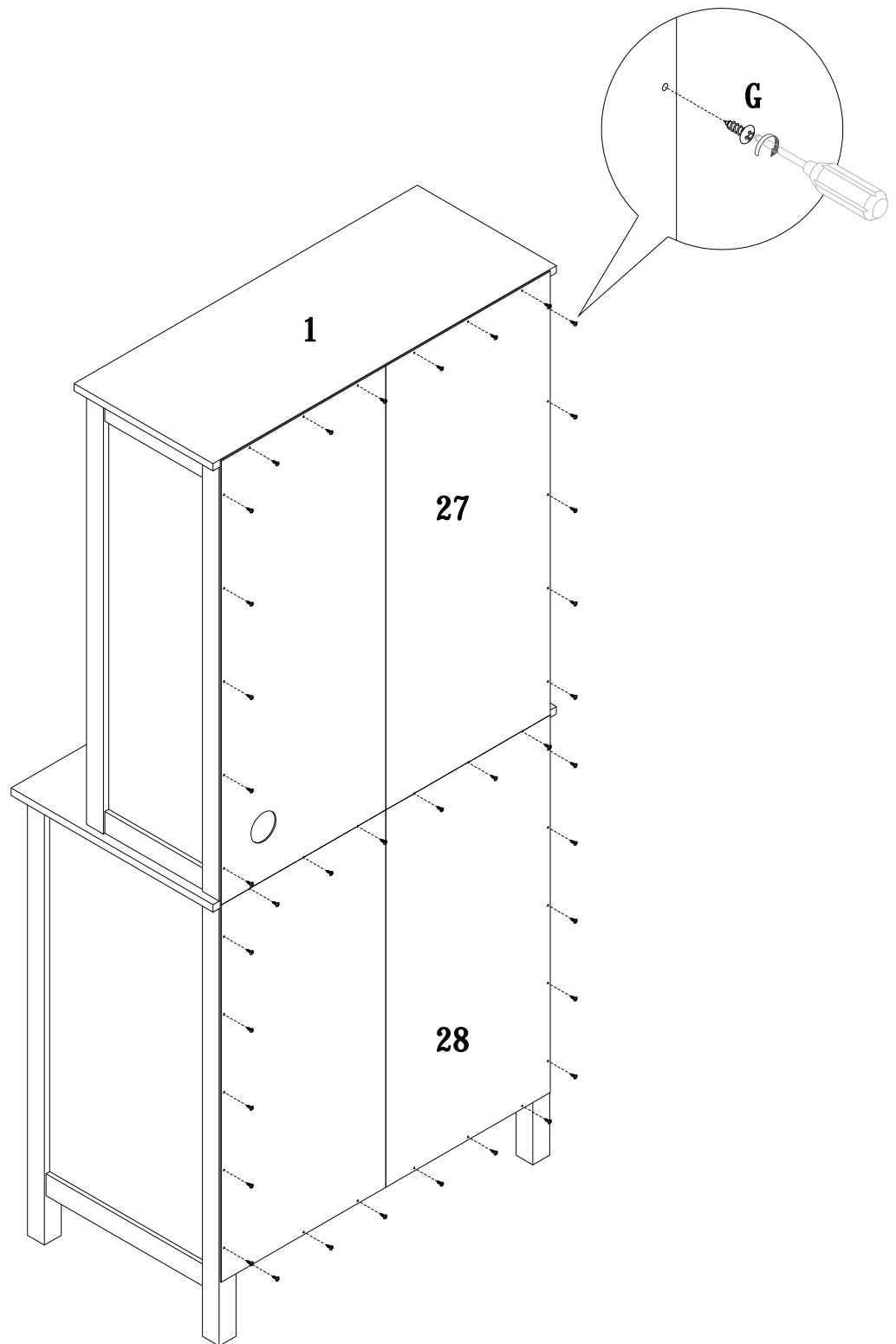
Step 12



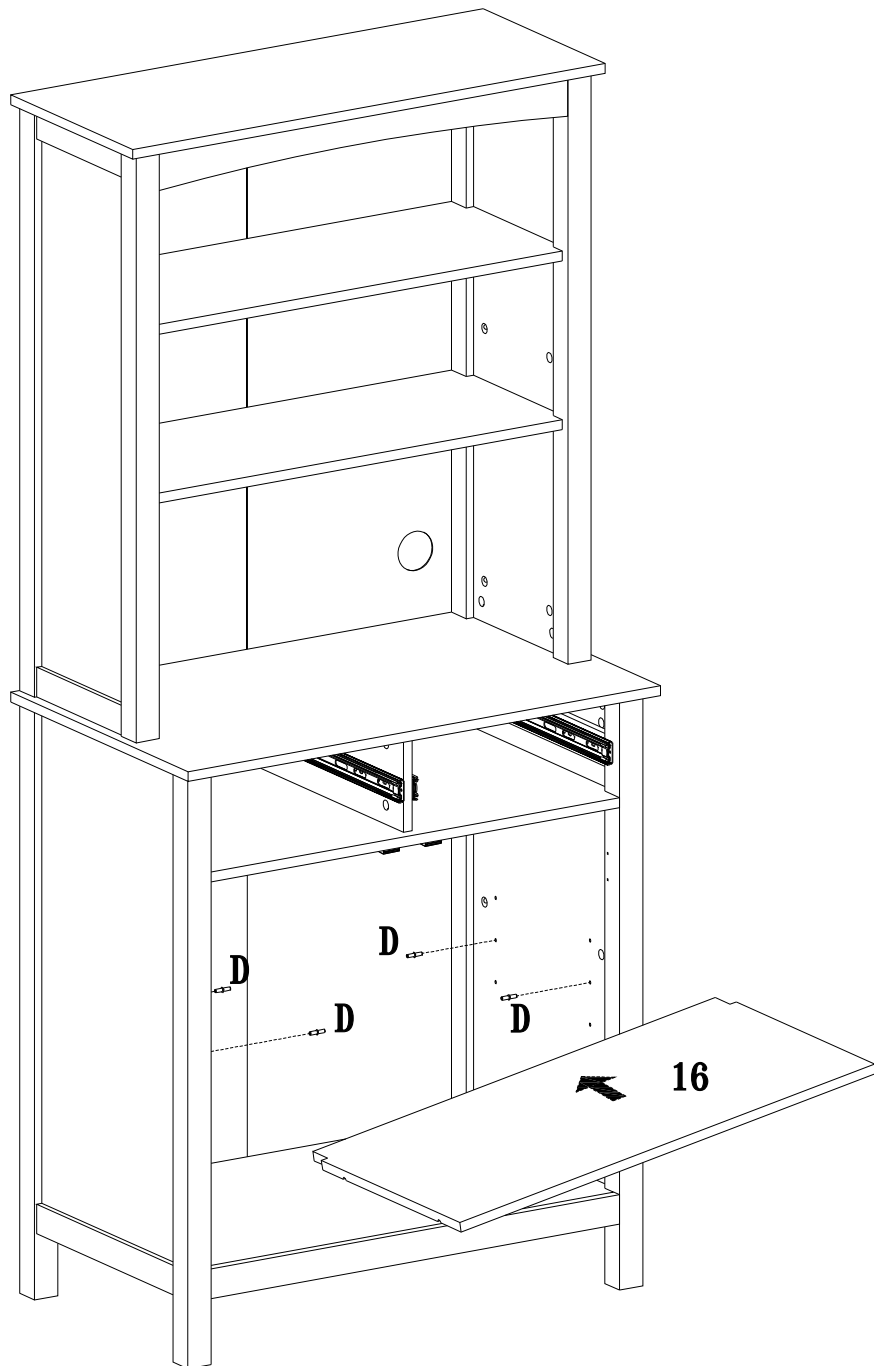
Step 13



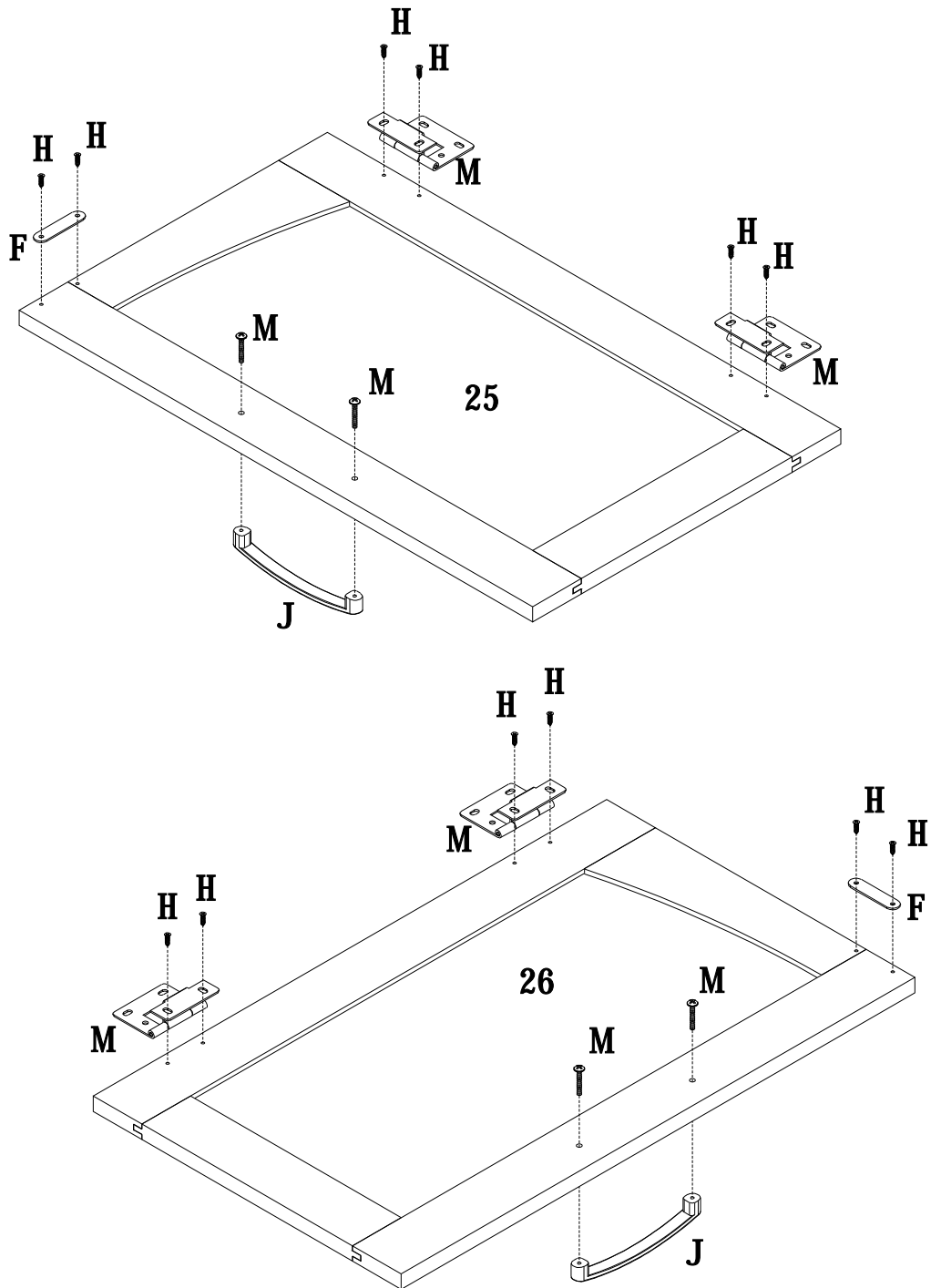
Step 14



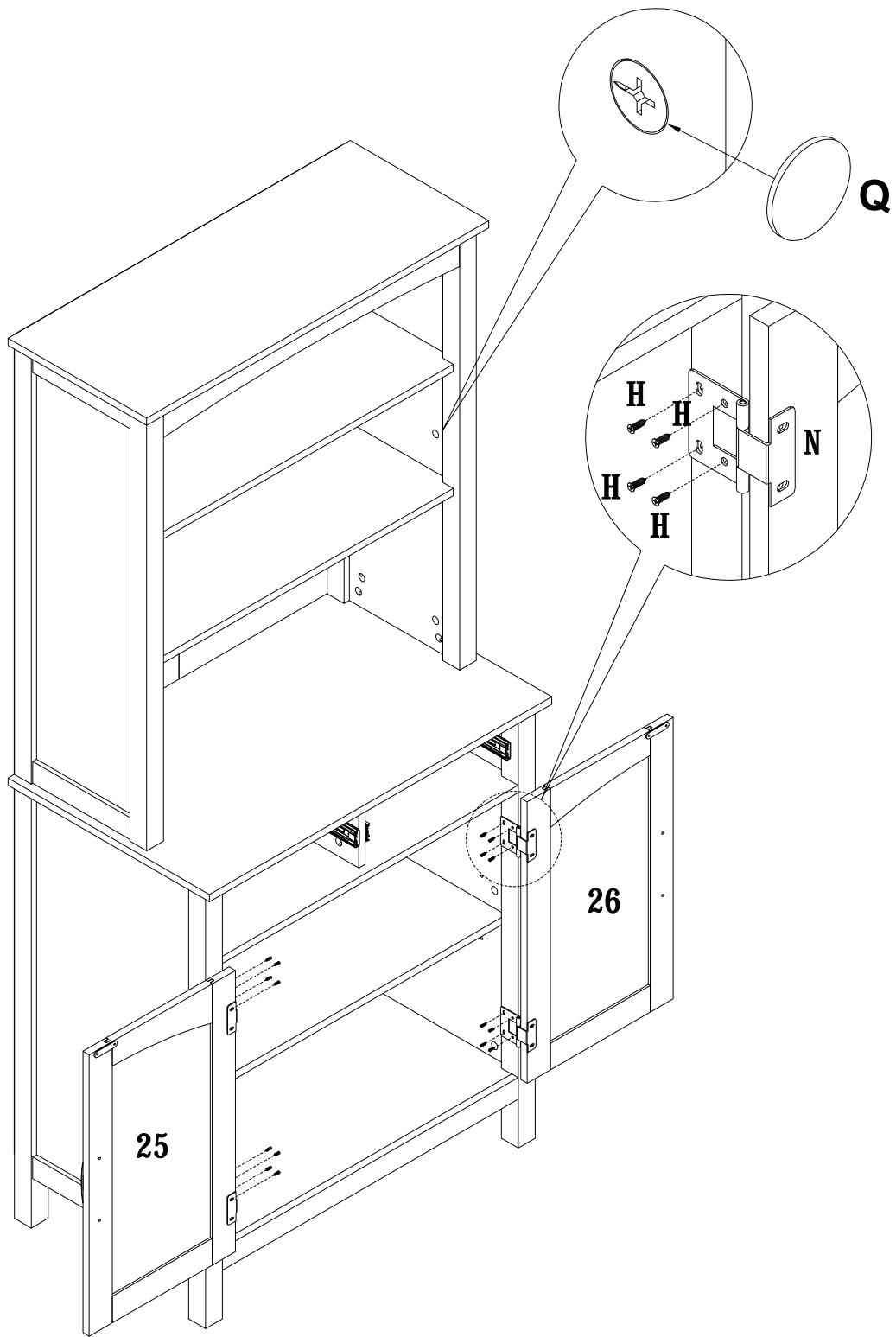
Step 15



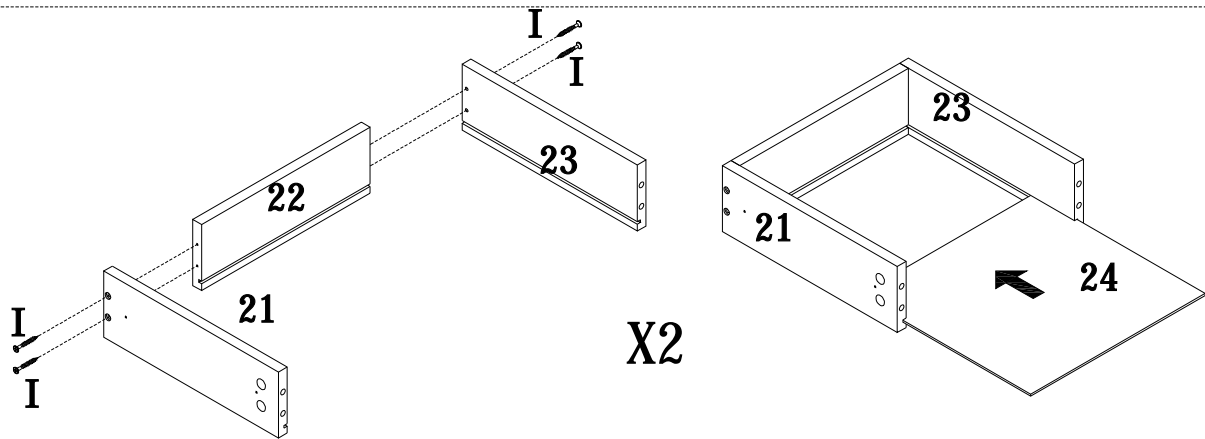
Step 16



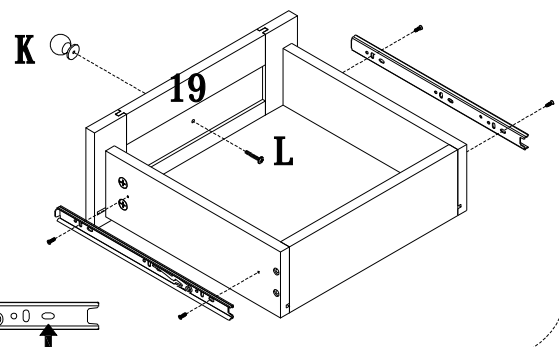
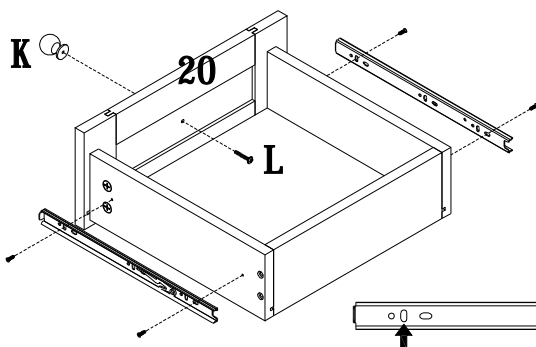
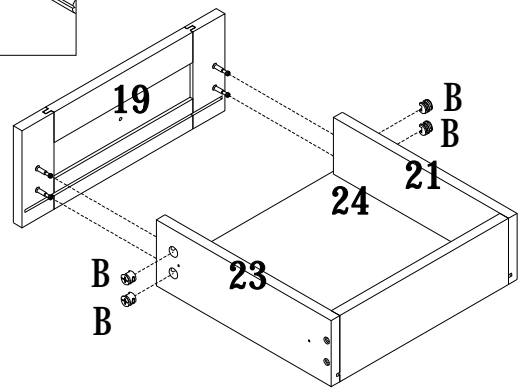
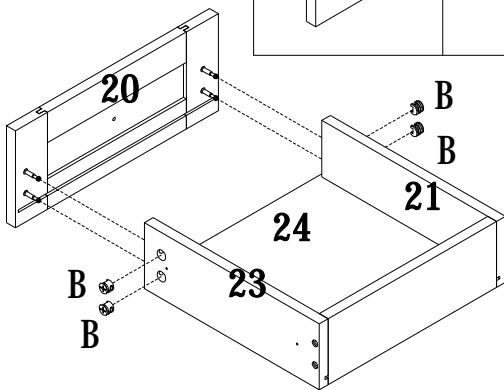
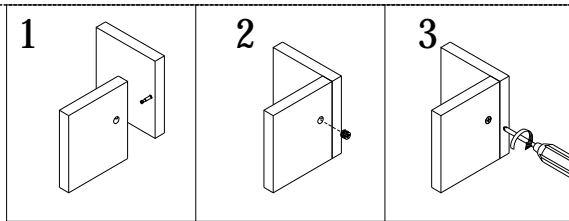
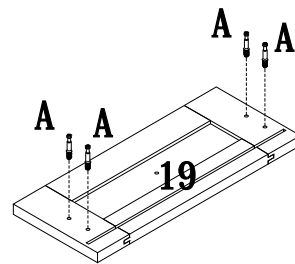
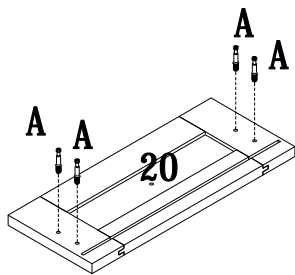
Step 17



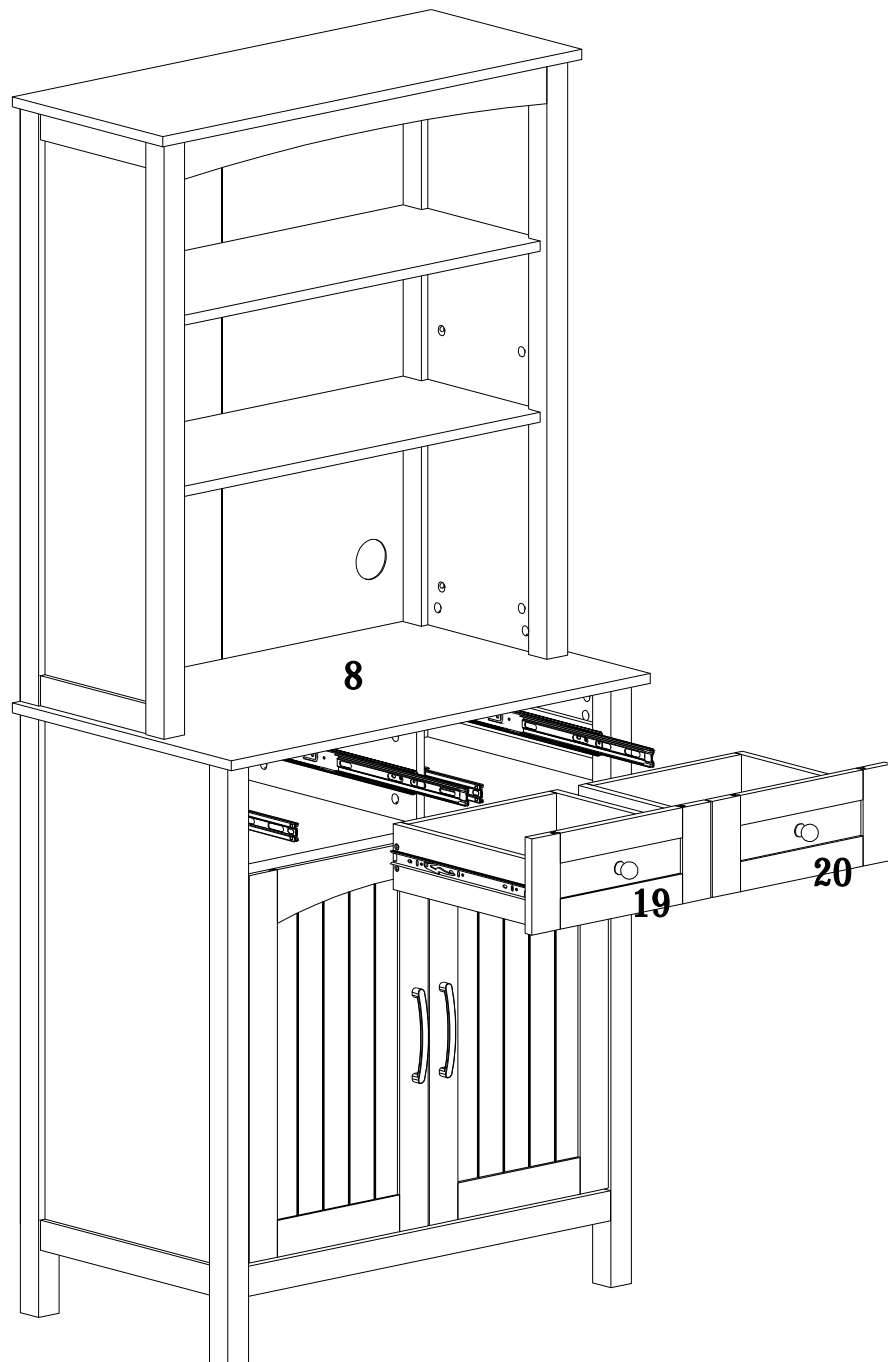
Step 18



X2



Step 19



Step 20

