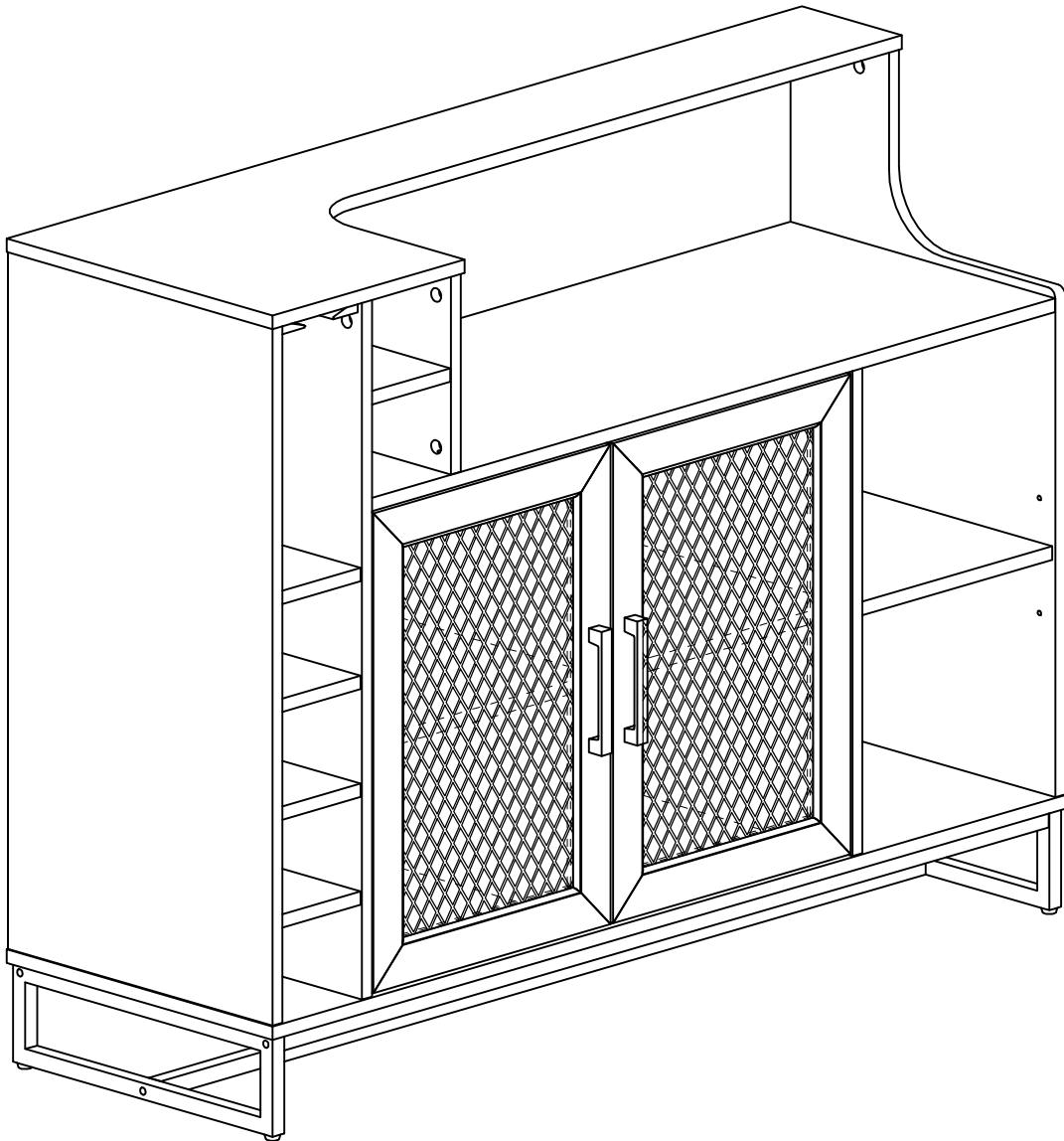
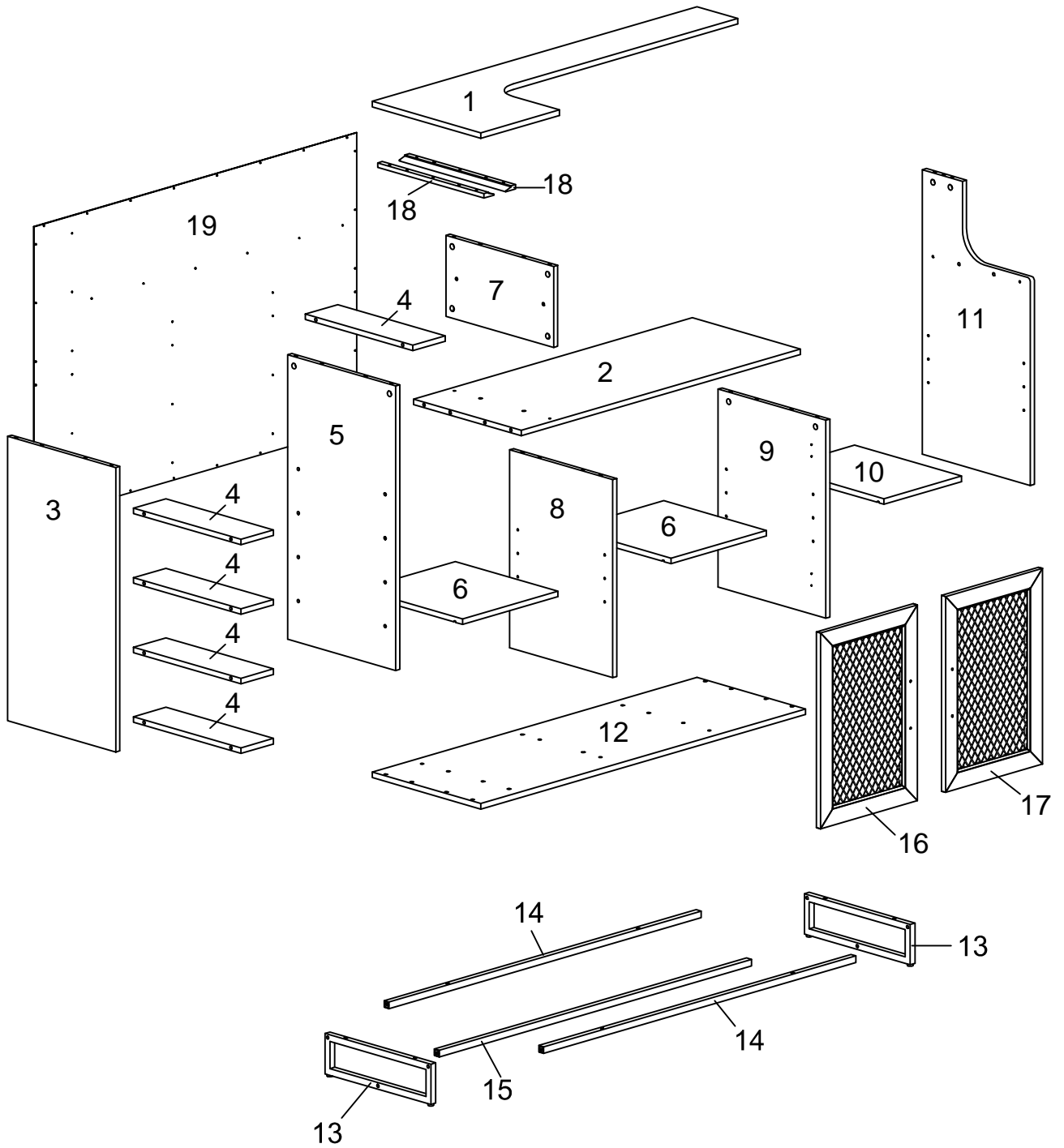


HOME SOURCE®

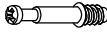

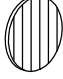



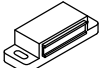
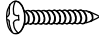
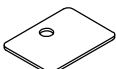









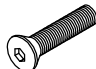


ASSEMBLY INSTRUCTION
MODEL:DC79 MOP



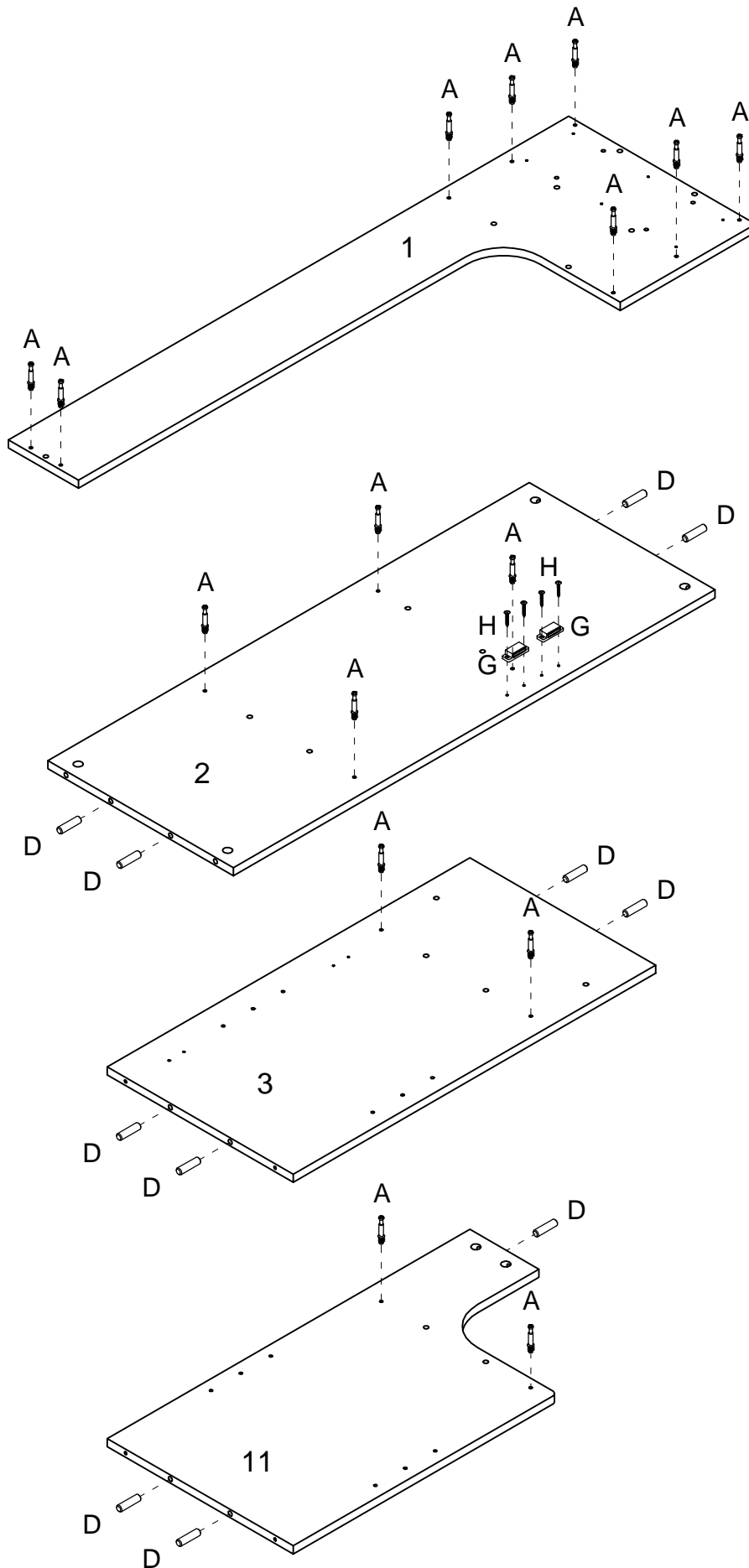
PACKAGE CONTENT



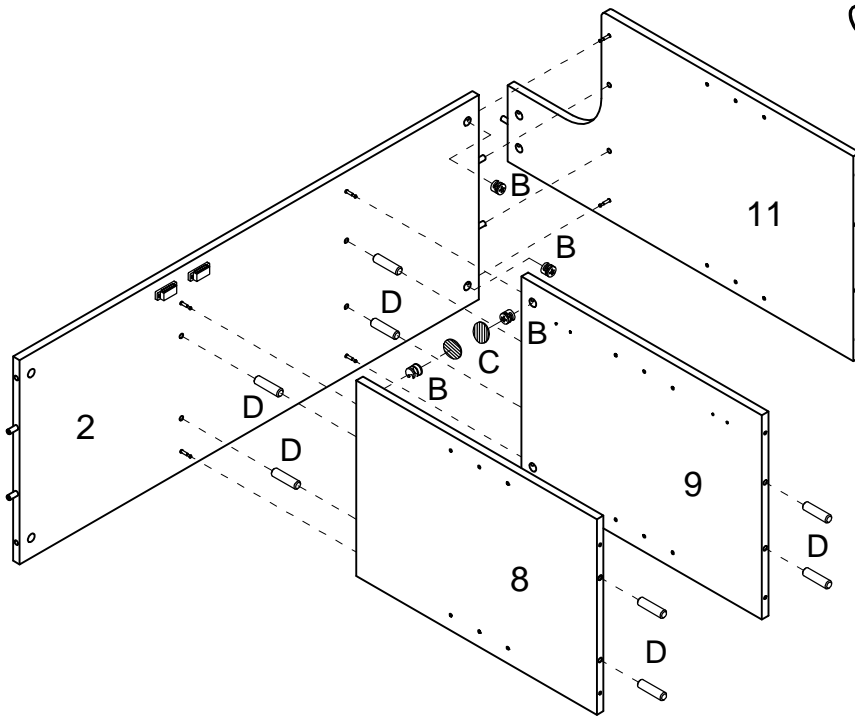
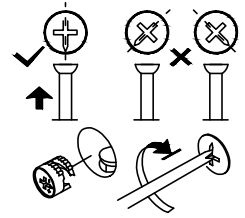
Hardware List

A		φ5*25mm	KD Bolt	18 pcs
B		φ15*11mm	KD Cam	18 pcs
C		φ23mm	Sticker	18 pcs
D		φ8*30mm	Wood Dowel	47 pcs
E		φ6*50mm	Bolt	10 pcs
F		M4	Allen Key	1 pc
G		44*16*12mm	Magnet	2 pcs
H		Ø3*18mm	Screw	4 pcs
I		30*22*1mm	Iron Sheet	2 pcs
J		Ø2.5*12mm	Screw	2 pcs
K		Ø26mm	Hinge	4 pcs
L		Ø3.5*15mm	Screw	16 pcs
M		138*16*19mm	Handle	2 pcs
N		5/32"*20mm	Bolt	4 pcs
O		Ø3*15mm	Screw	48 pcs
P		Ø5*16mm	Shelf Support	12 pcs
Q		Ø6*20mm	Wood Dowel	4 pcs
R		Ø4*20mm	Screw	6 pcs
S		1/4"x30mm	Bolt	14 pcs
T			Glue tube	1 pc
U		Ø5*16mm	Anti-Tipping Kit	2 sets

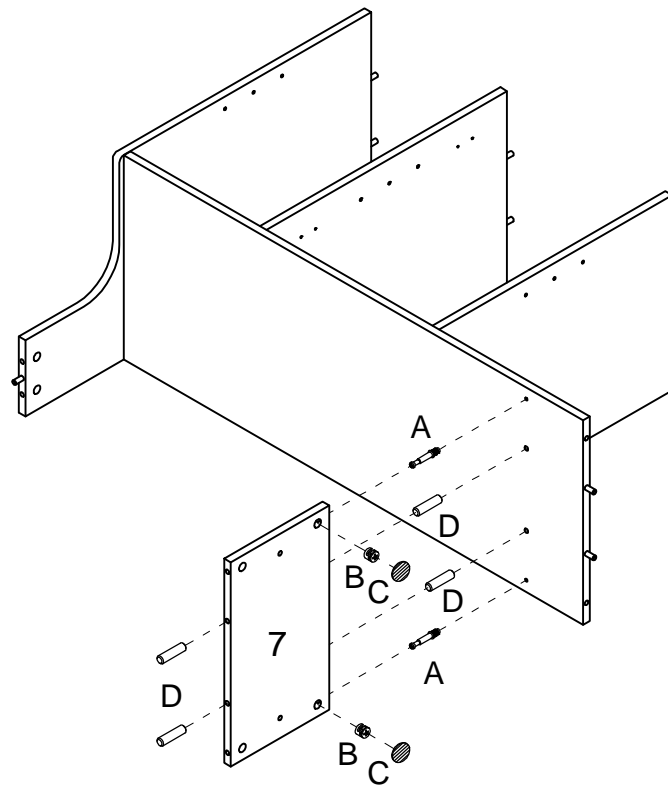
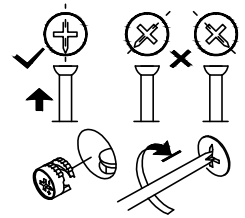
Step 1



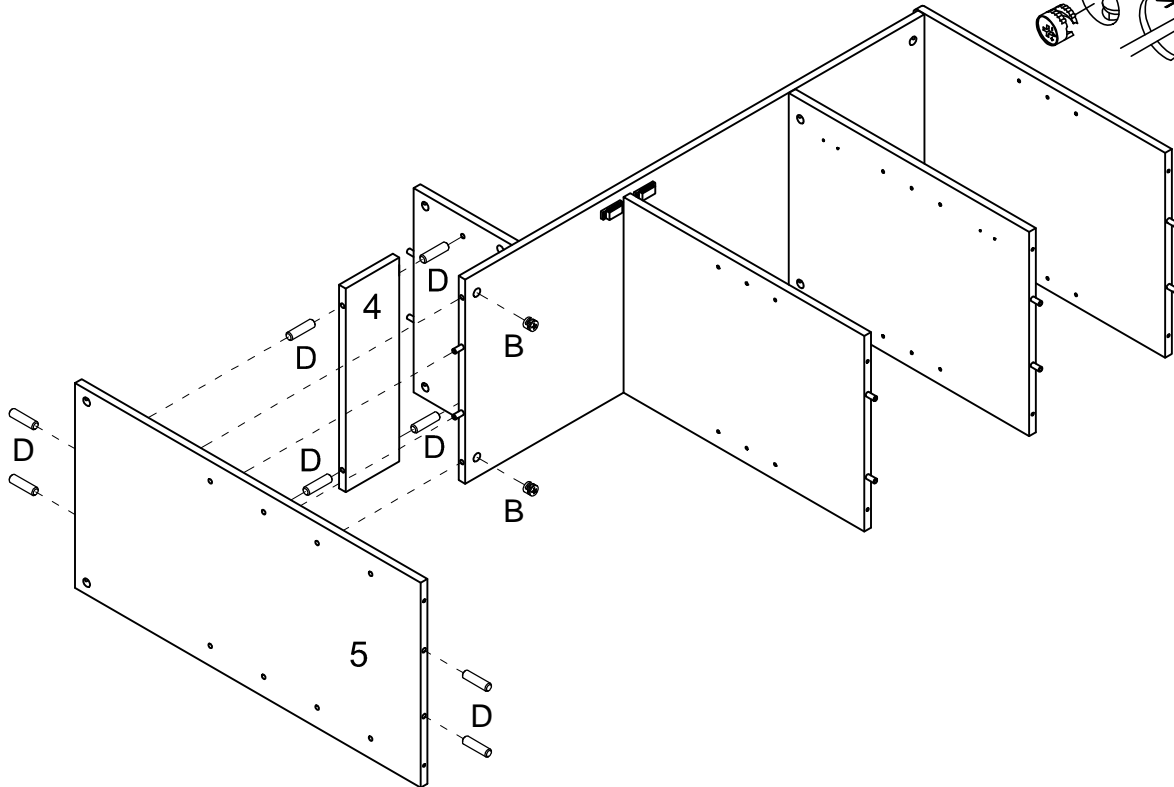
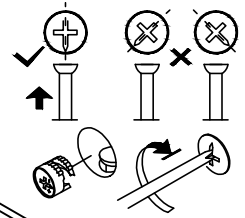
Step 2



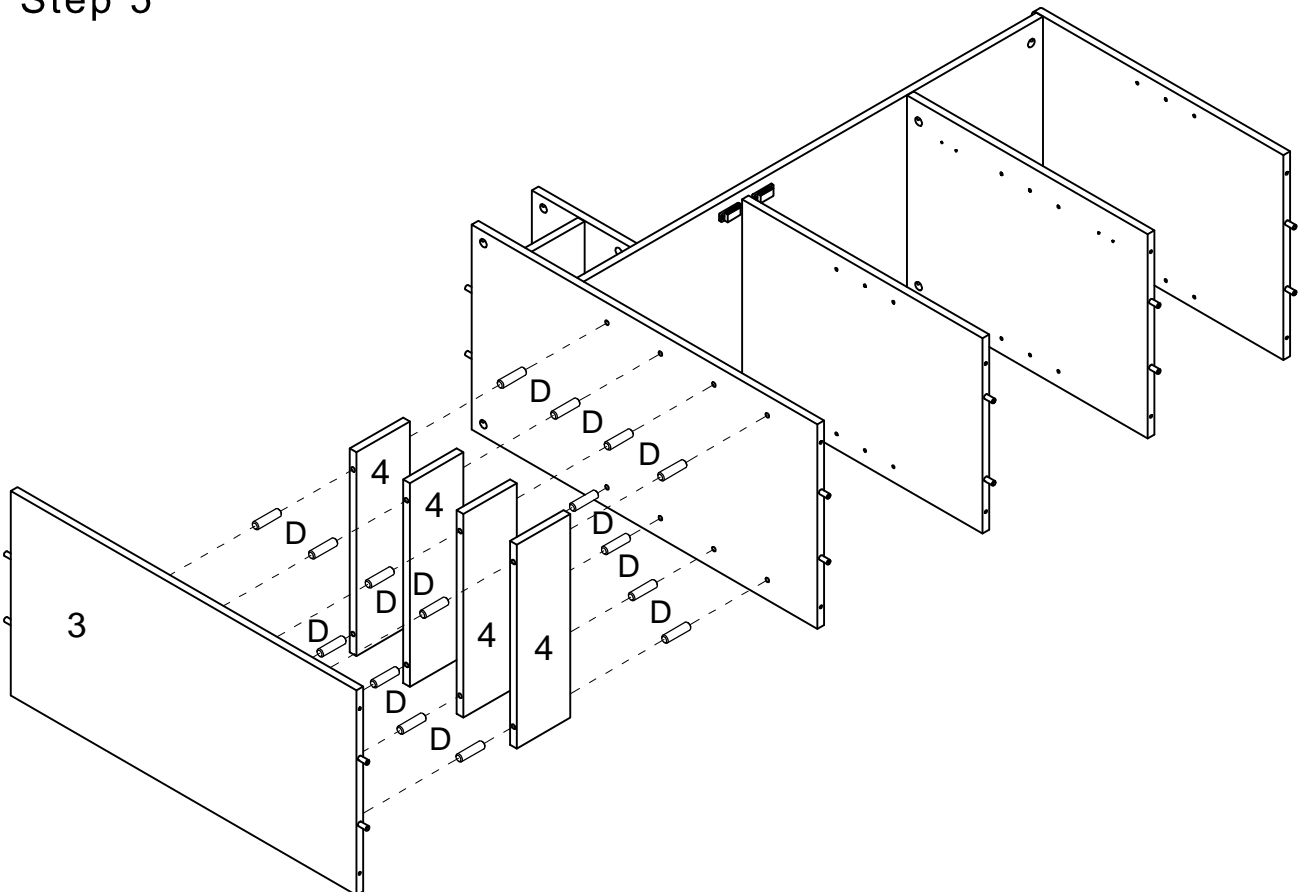
Step 3



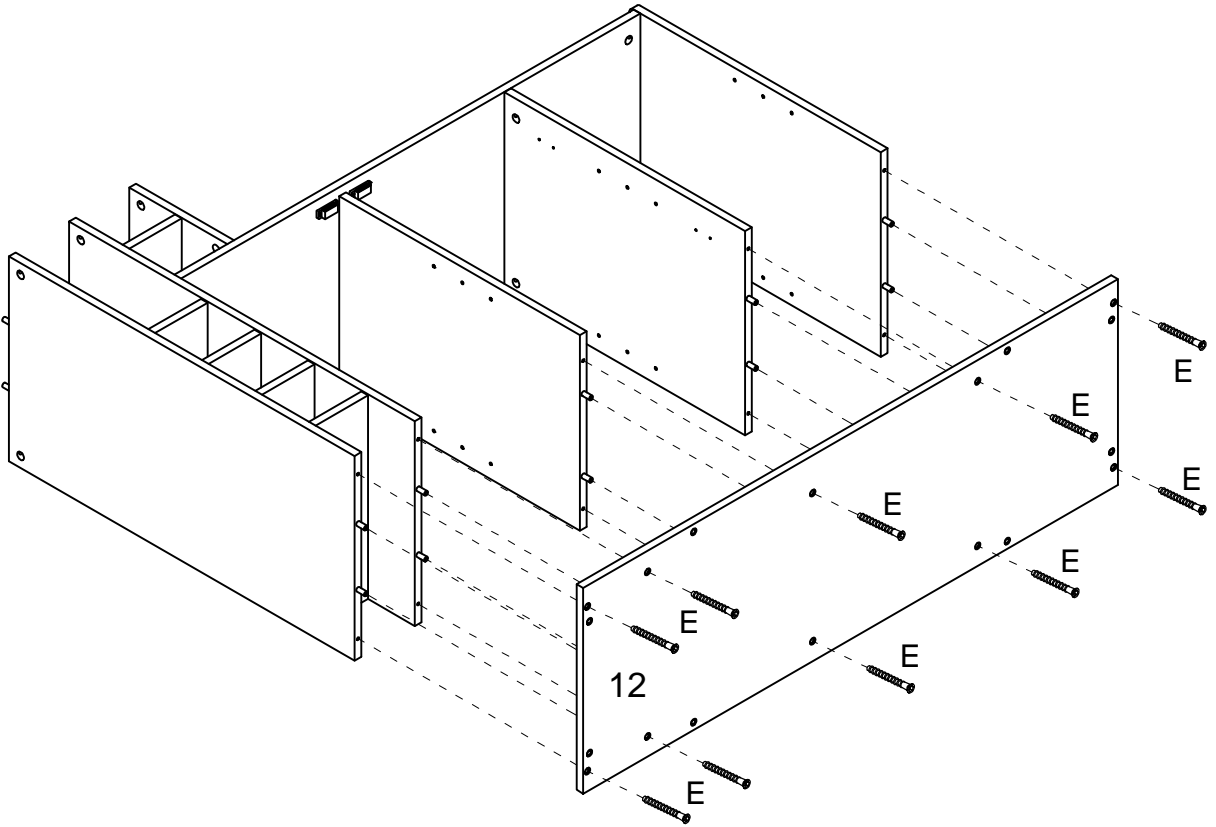
Step 4



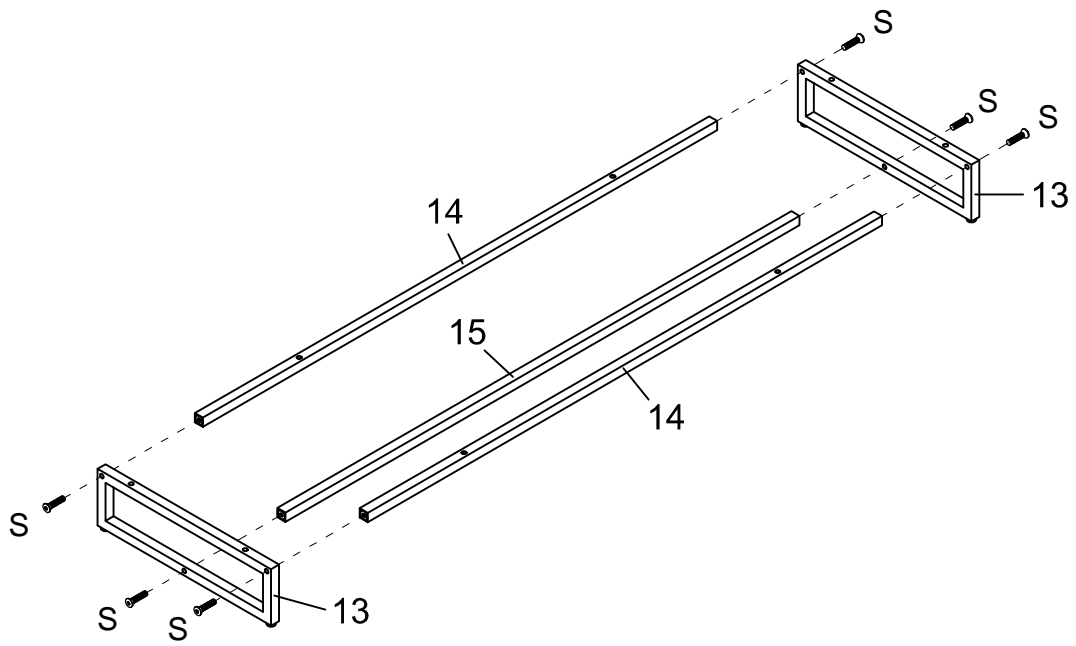
Step 5



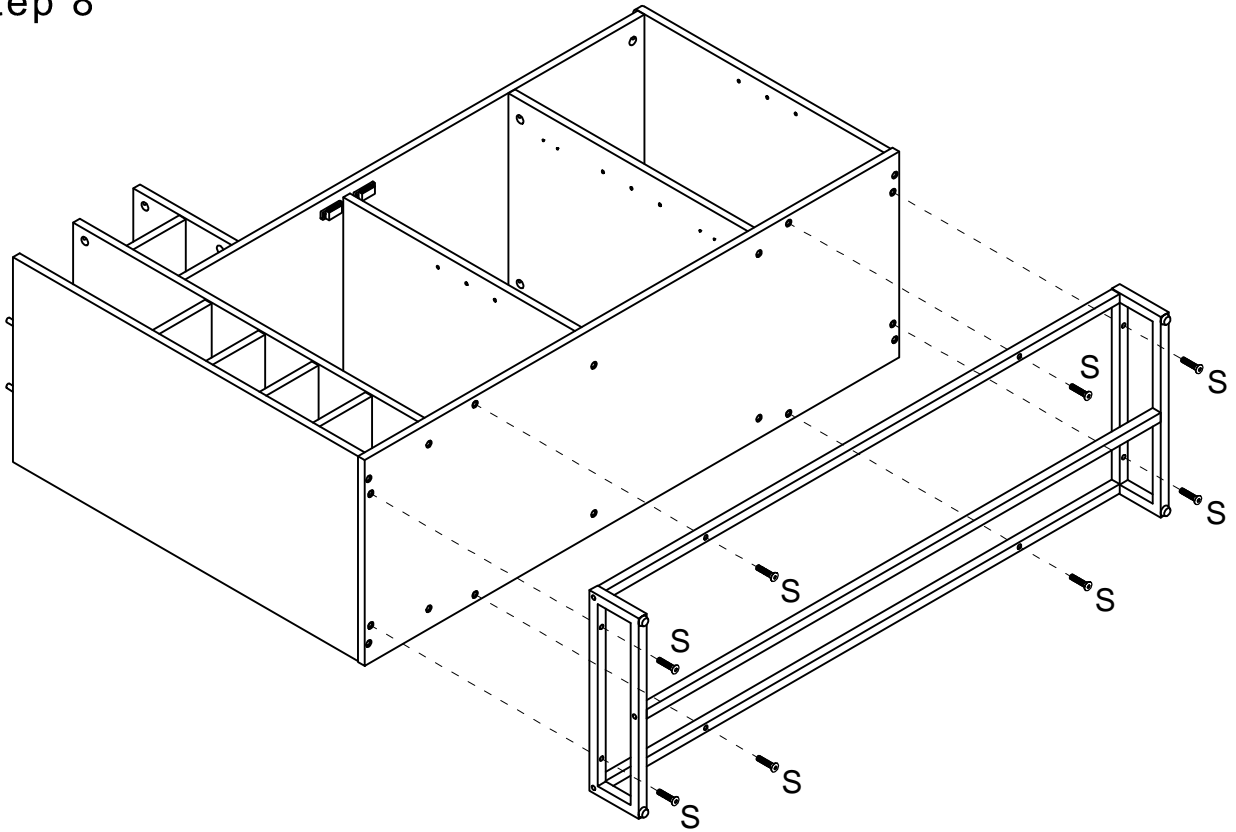
Step 6



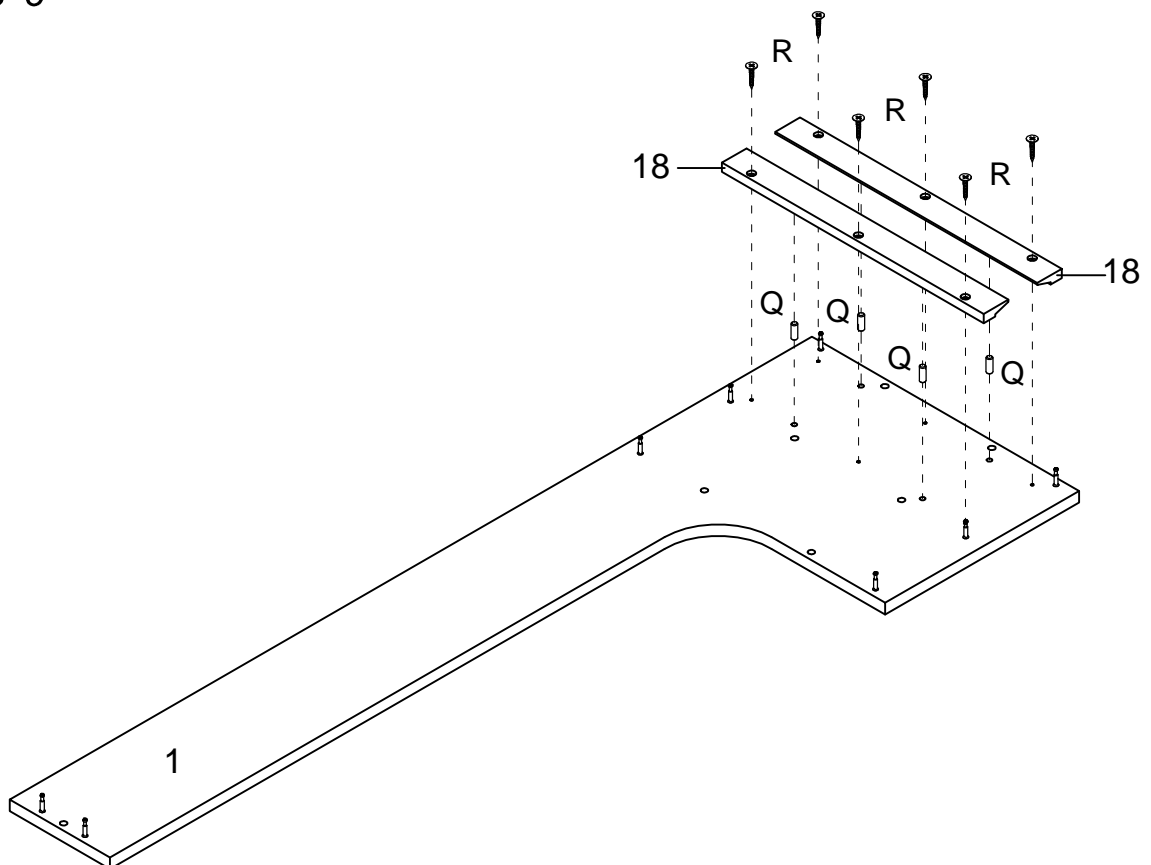
Step 7



Step 8

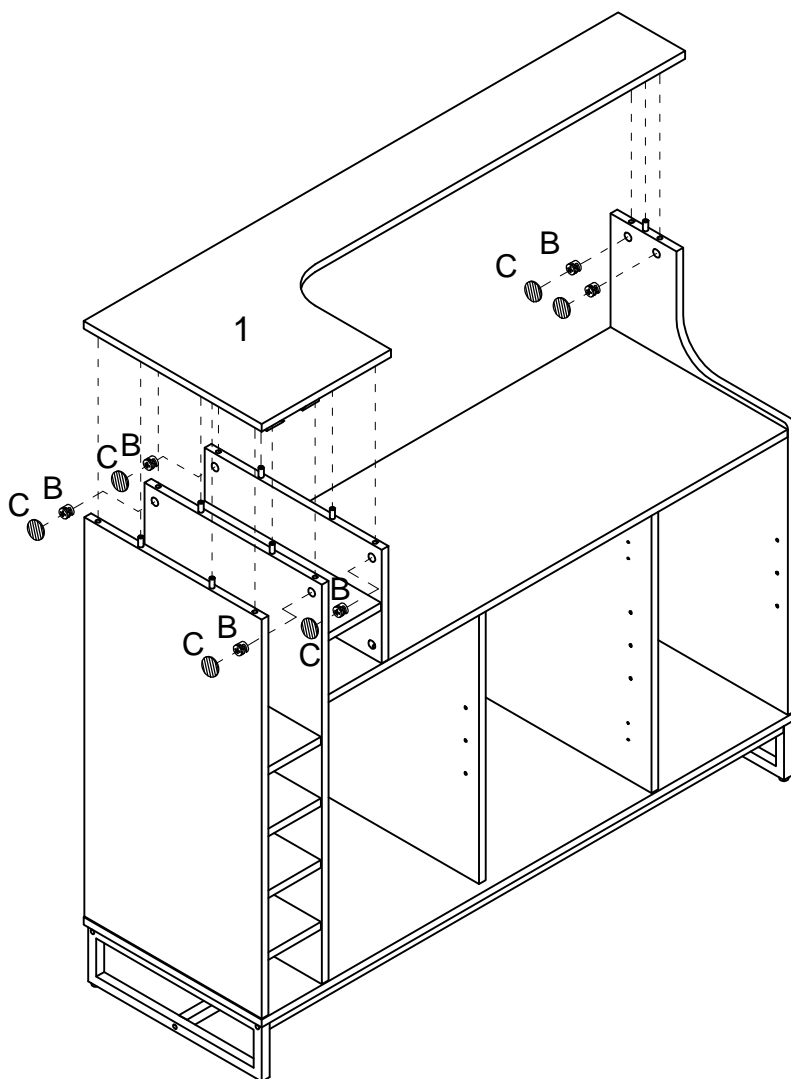
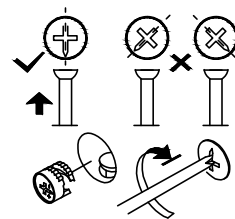


Step 9

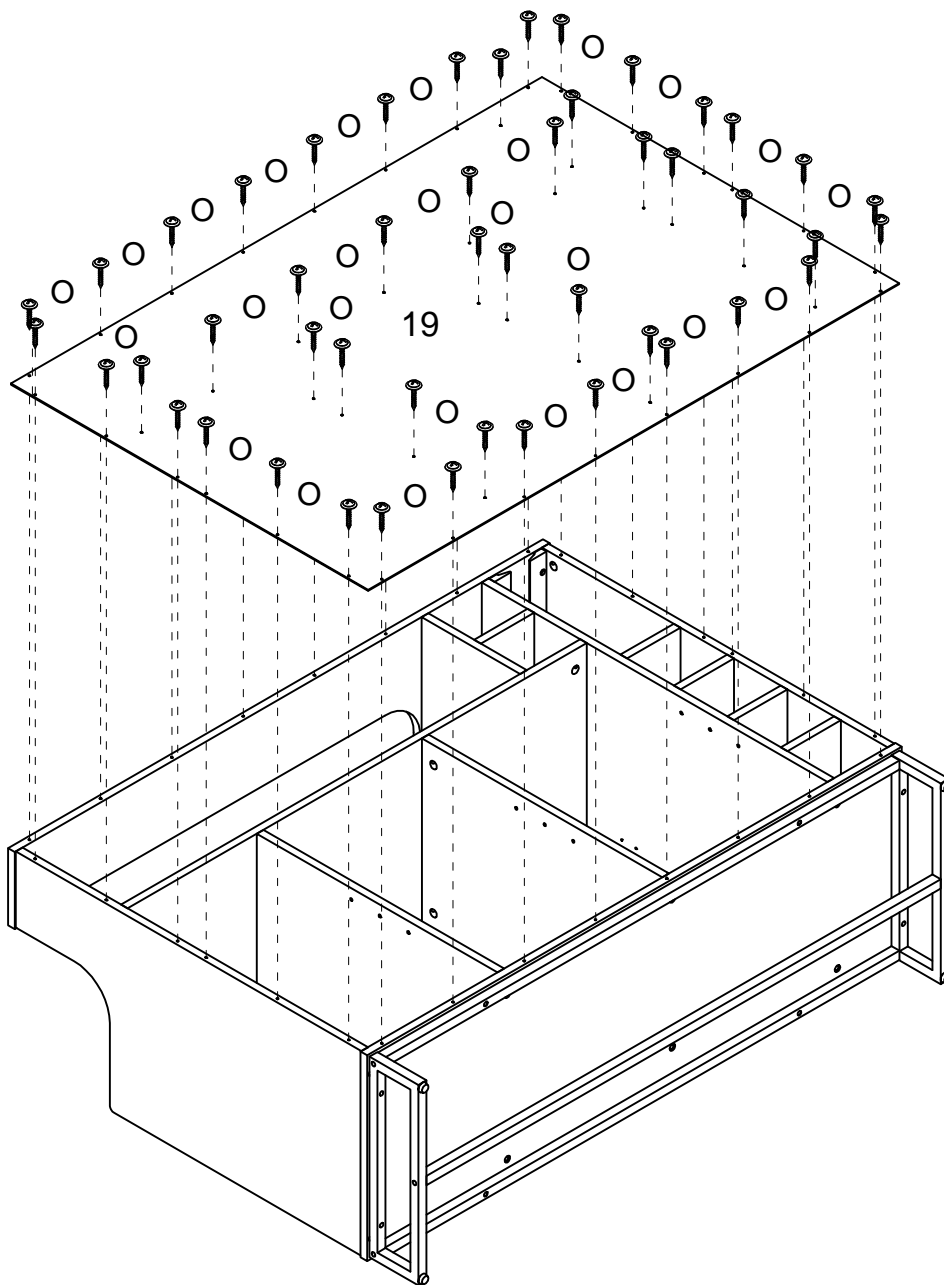


Step 10

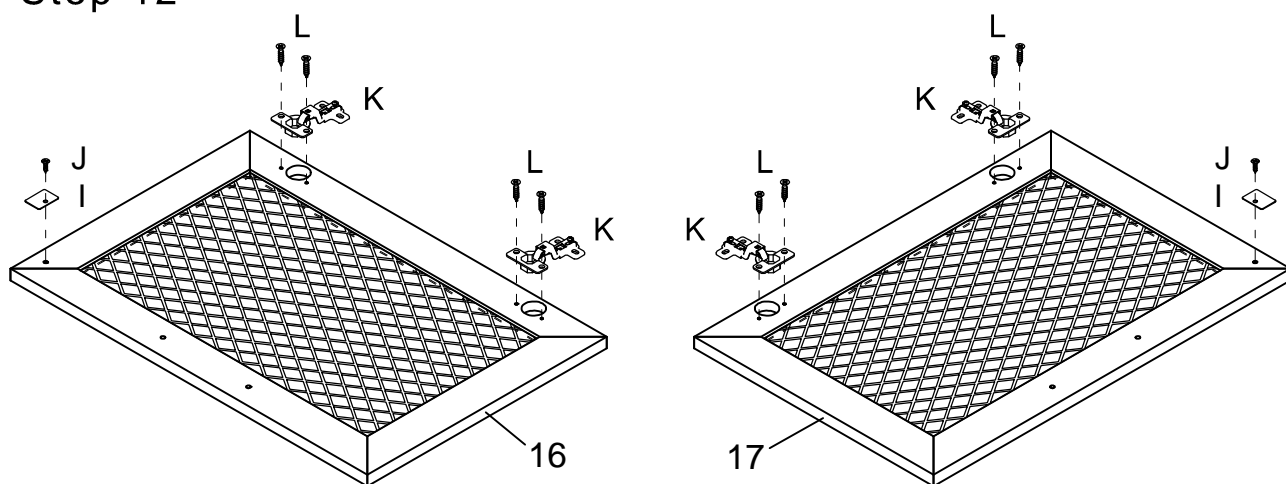
You need a short screwdriver



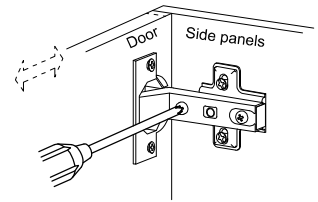
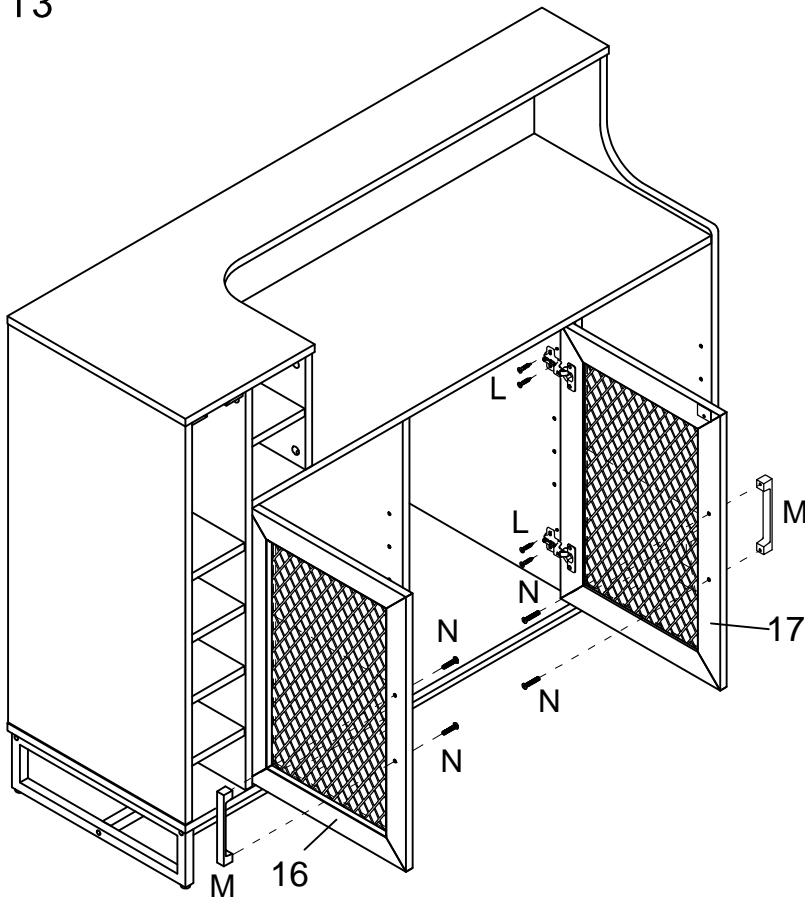
Step 11



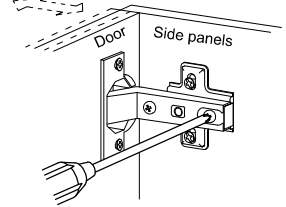
Step 12



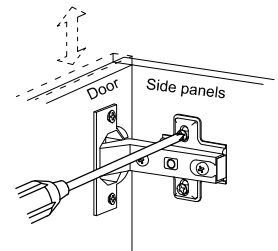
Step 13



Horizontal
by screw adjustment

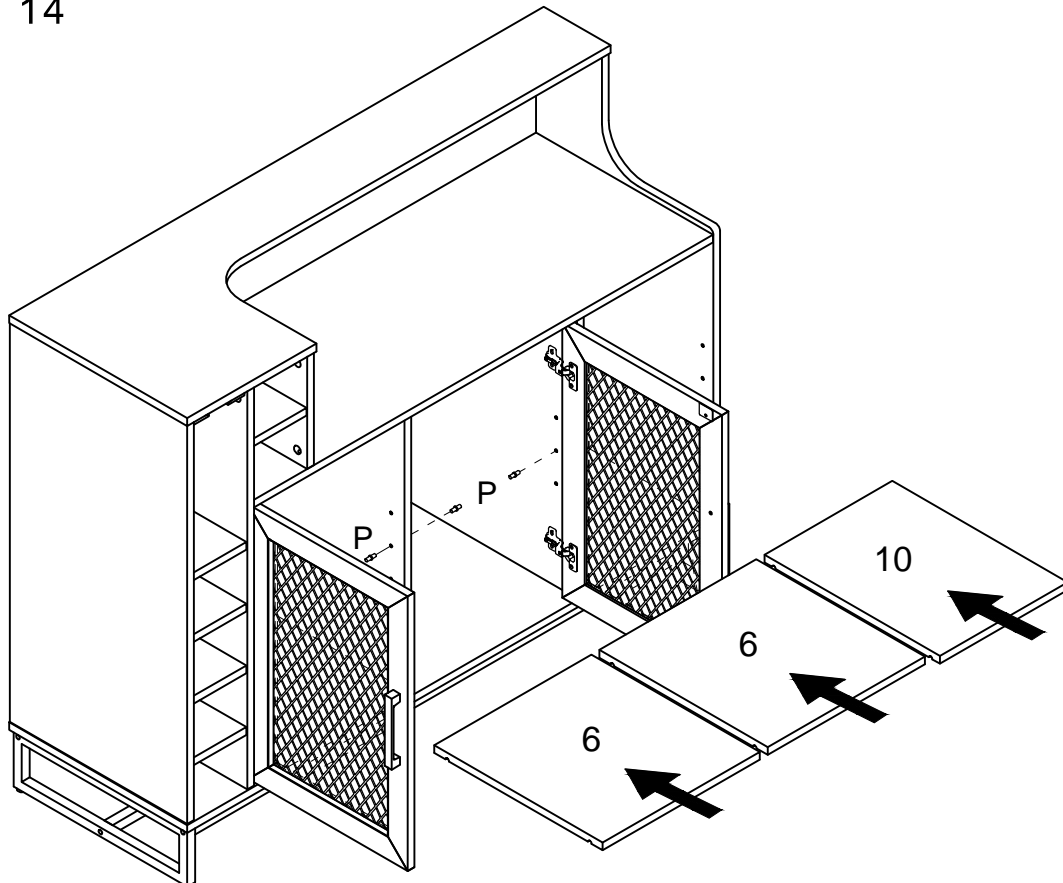


In-and-Out
by loosening the hinge-arm
mounting screw or via cam
adjustment



Vertical
Via slots in the mounting
plate or via cam
adjustment

Step 14



Step 15

Wall

