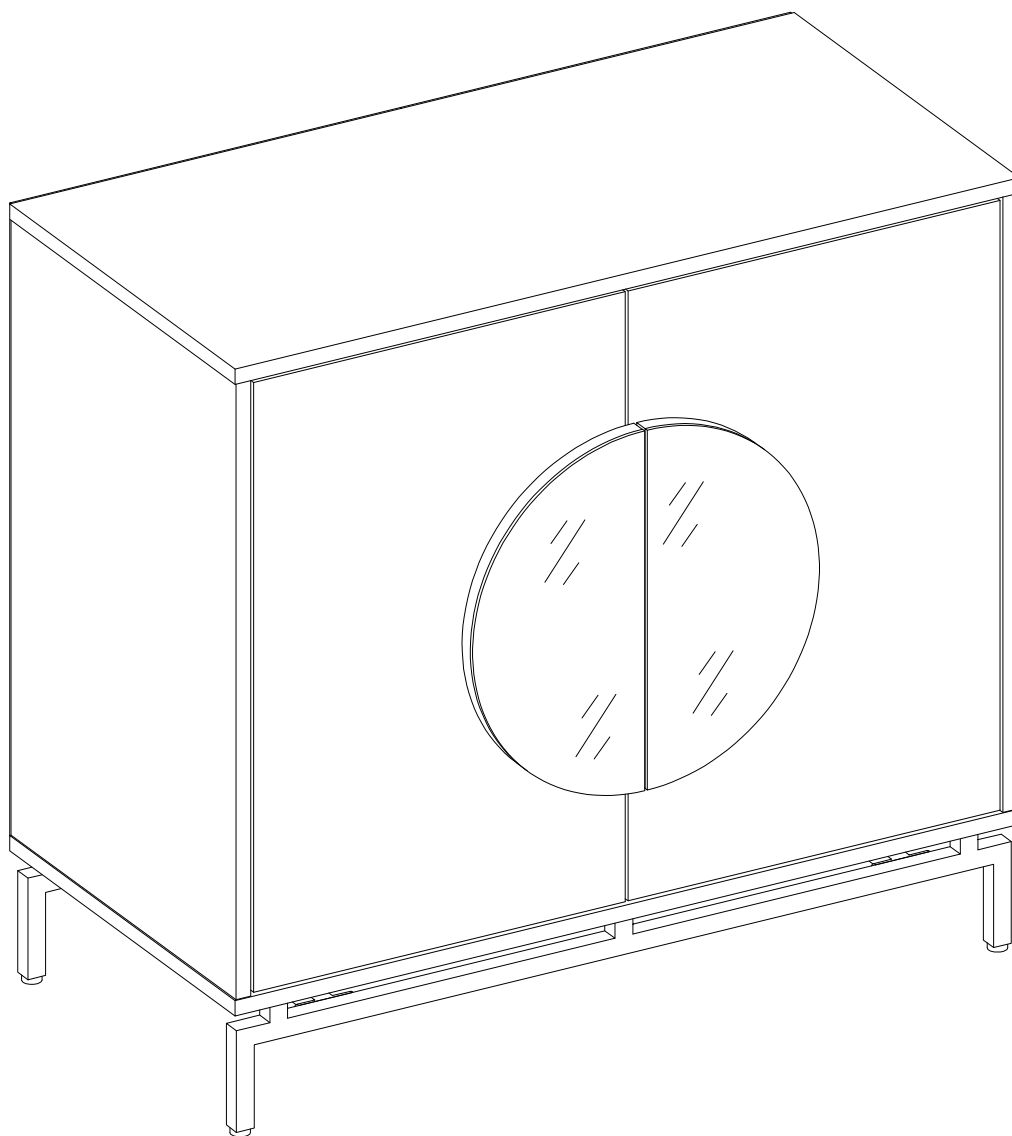


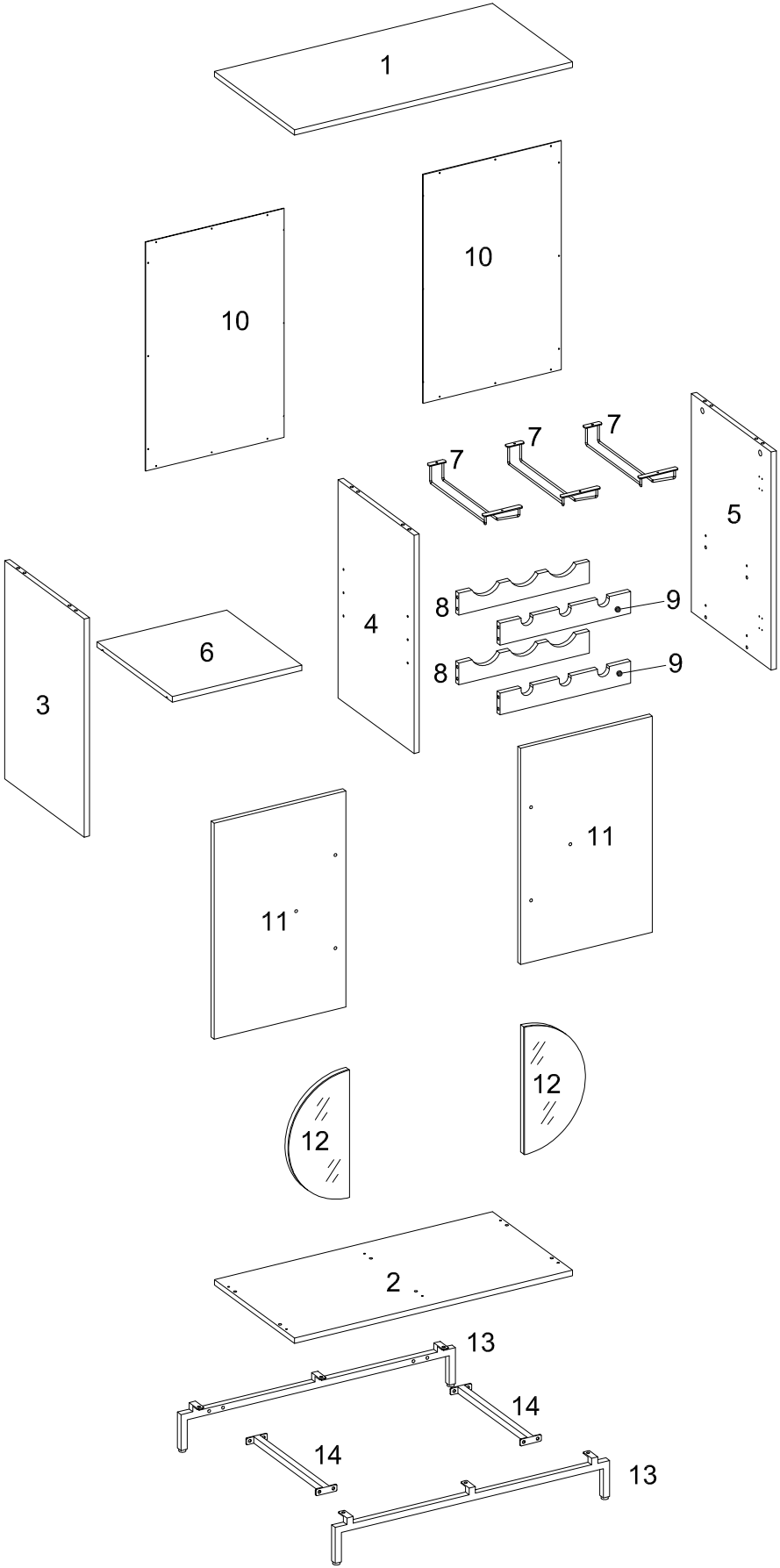
HOME SOURCE®

ASSEMBLY INSTRUCTION


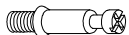


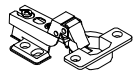
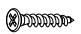


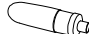

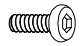



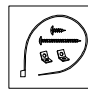
MODEL: DC70

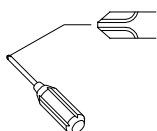


Parts List



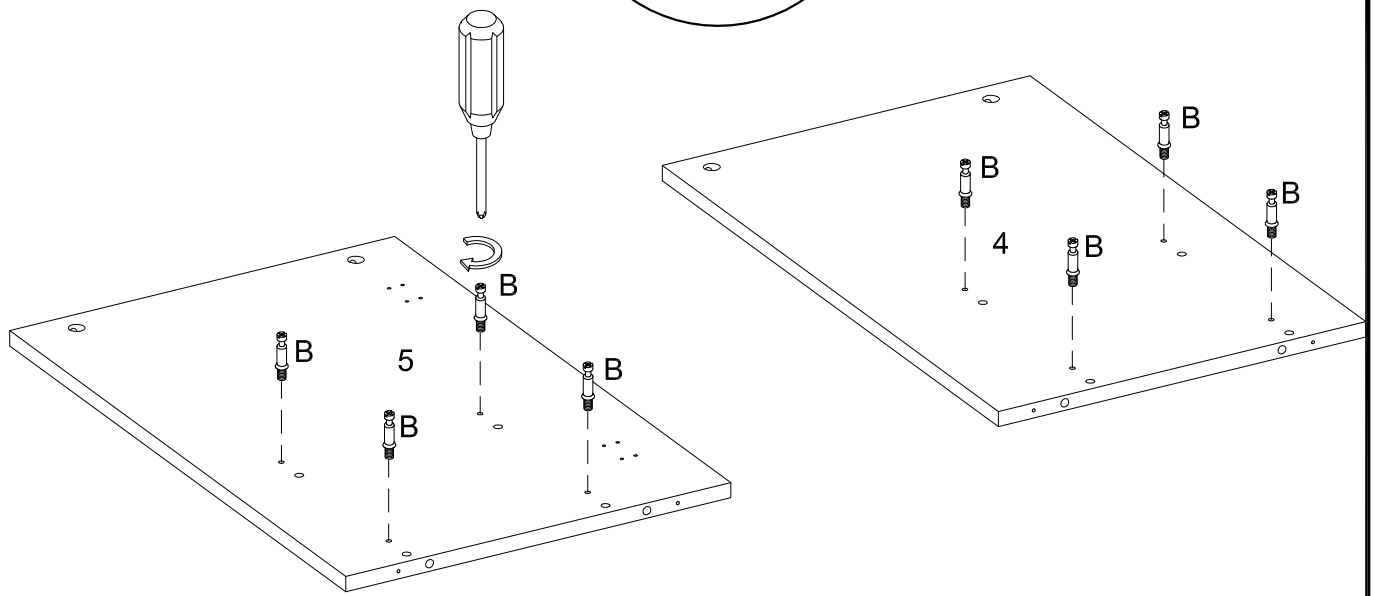
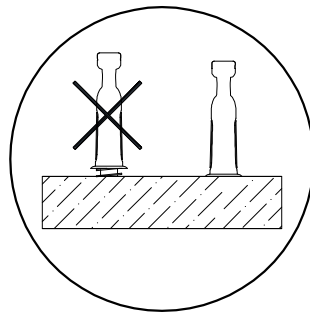
Hardware List

| | | | | |
|---|---|-------------|--|--------|
| A |  | Ø8x30mm | Wooden dowel | 20 pcs |
| B |  | Ø6x35mm | Cam bolt | 14 pcs |
| C |  | Ø15x11mm | Cam lock | 14 pcs |
| D |  | | Shelf support pin | 4 pcs |
| E |  | | Europe Hinge | 4 pcs |
| F |  | Ø3.5x15mm | Hinge screw | 30 pcs |
| G |  | Ø3x15mm | Screw | 24 pcs |
| H |  | | Sticker | 14 pcs |
| I |  | | Glue | 1 pcs |
| J |  | M 4 | Hexagon socket key | 1 pcs |
| K |  | Ø1/4" x12mm | Bolt | 14 pcs |
| L |  | Ø1/4" x38mm | Bolt | 6 pcs |
| M |  | Ø4x50mm | Fast screw | 6 pcs |
| N |  | | Isolation column | 6 pcs |
| O |  | | Tipping Restraint Hardware (Inside Plastic White Bag) | 2 pcs |

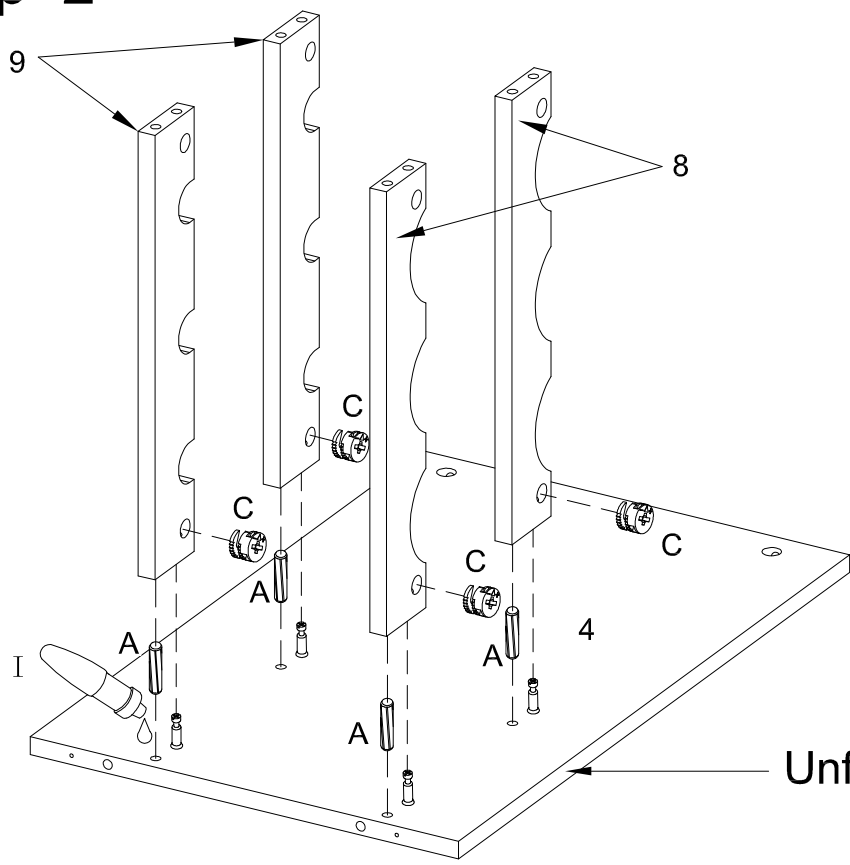
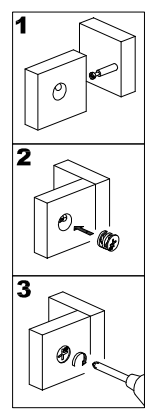


Philips head screwdriver required for assembly
(not included)

Step 1

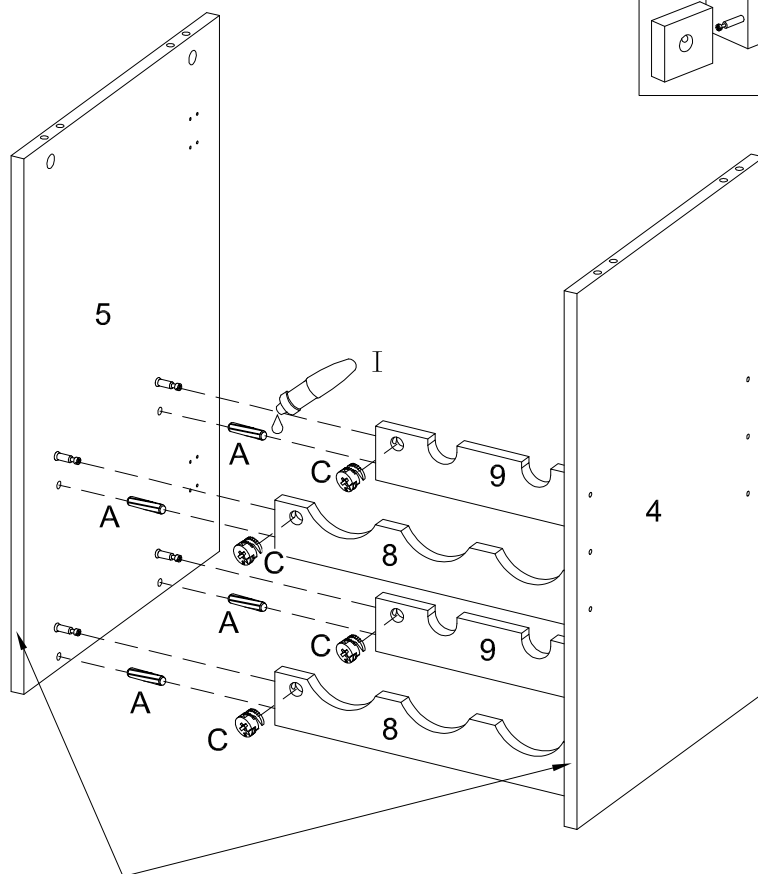
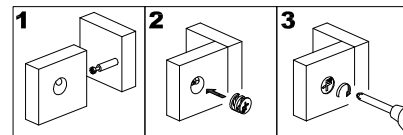


Step 2



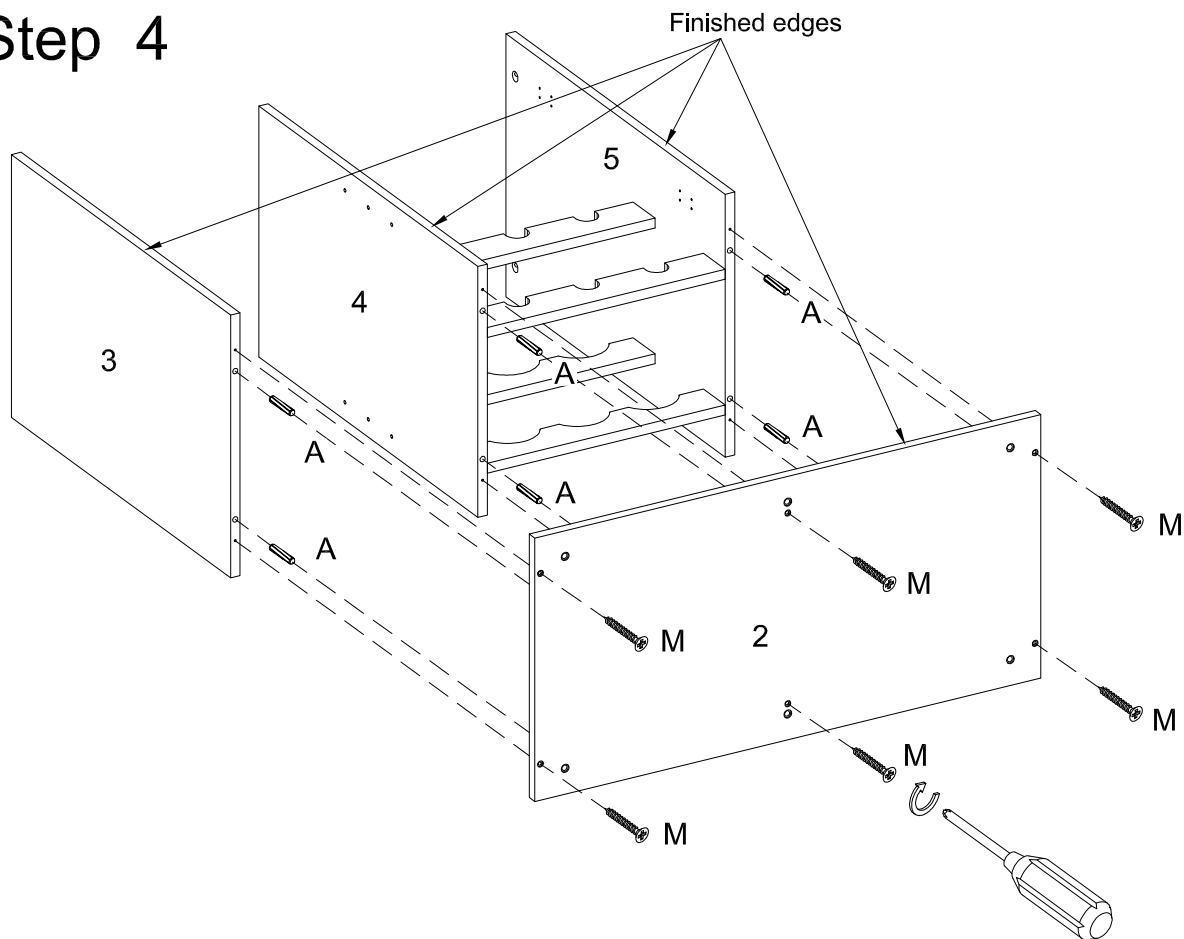
Unfinished edge

Step 3

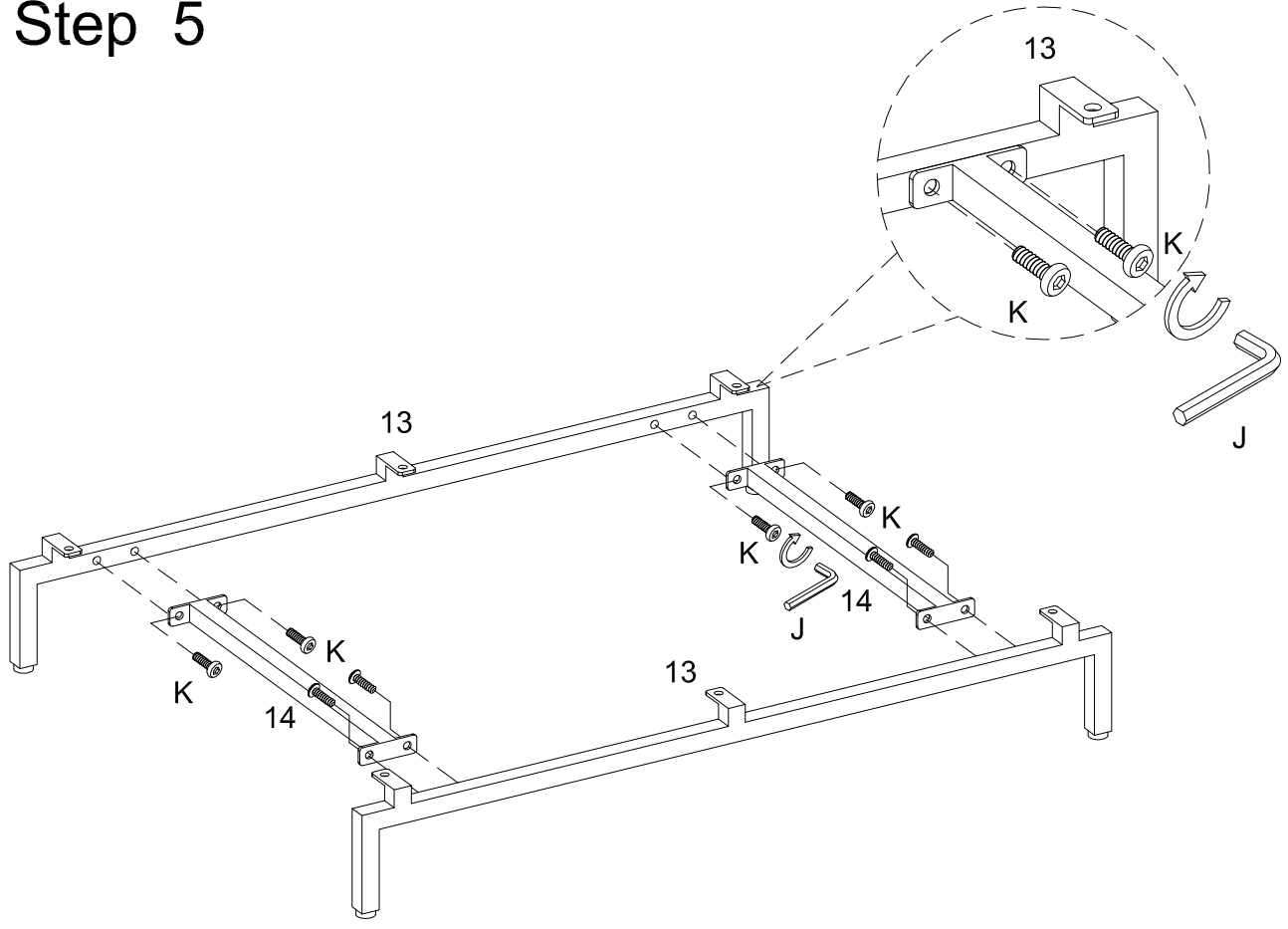


Unfinished edges

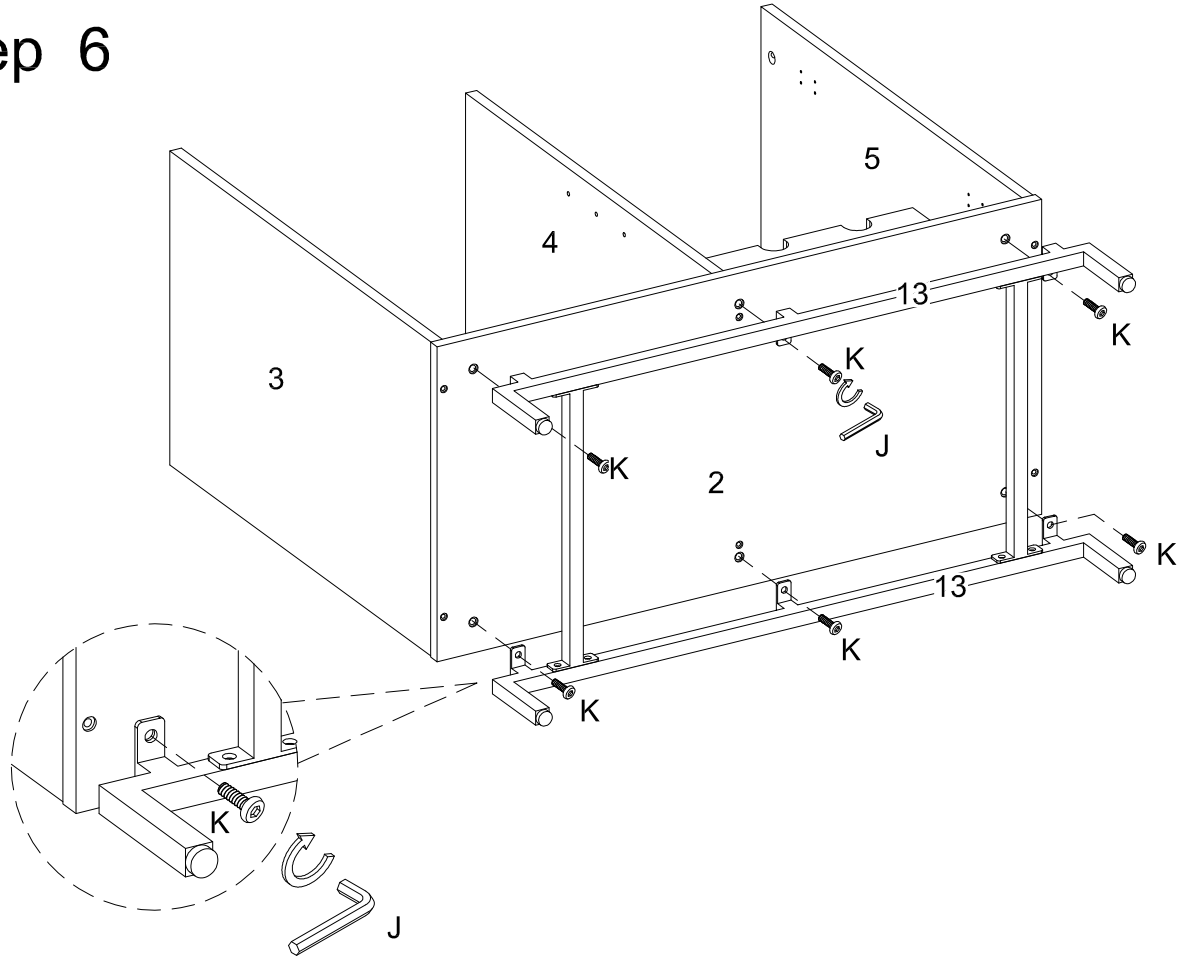
Step 4



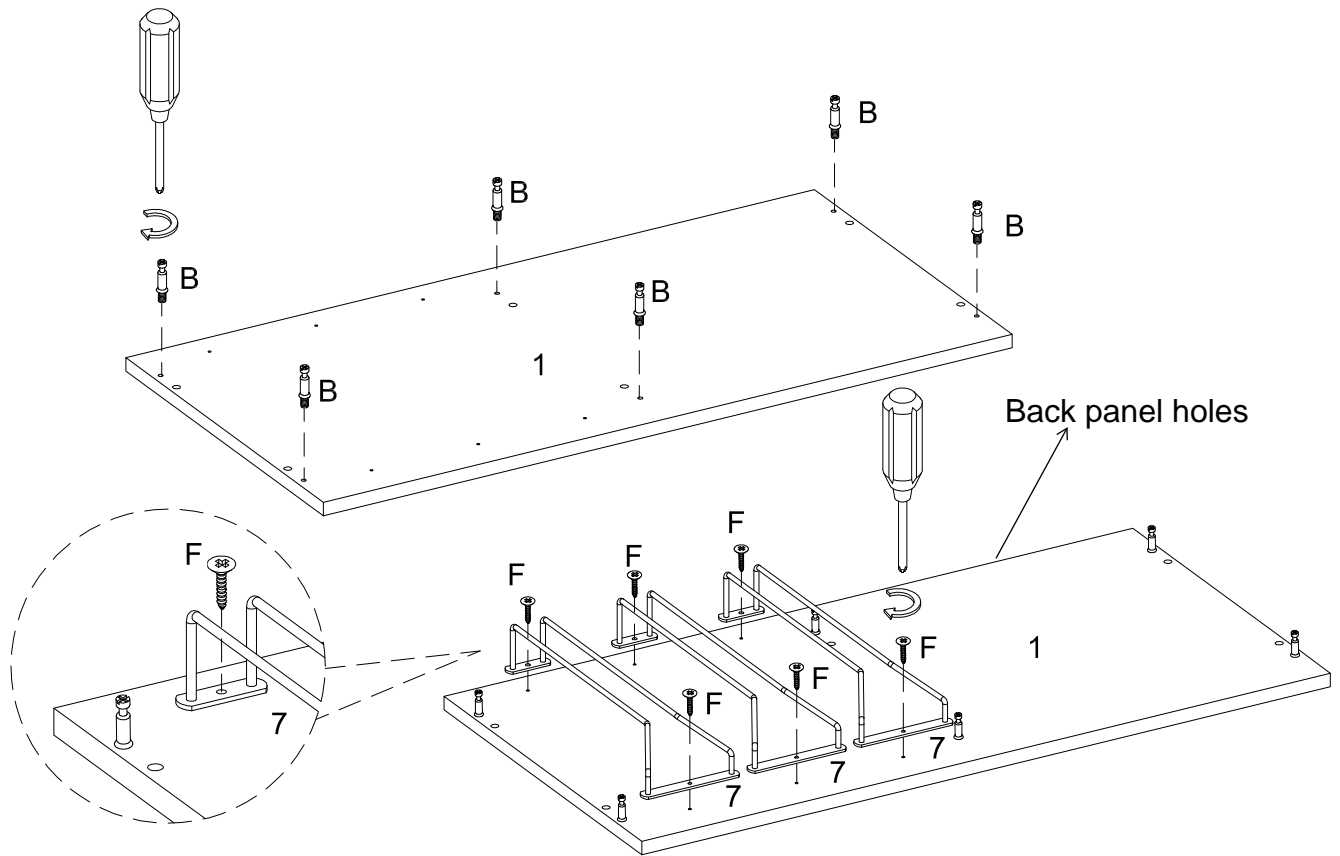
Step 5



Step 6

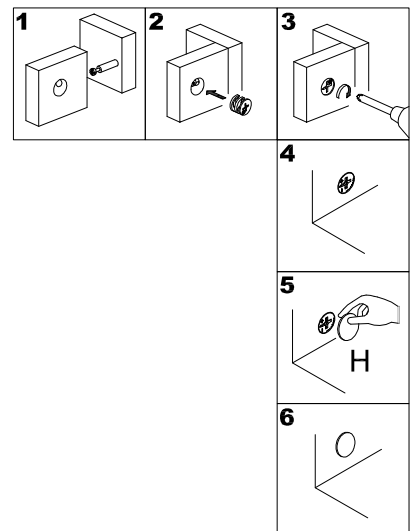
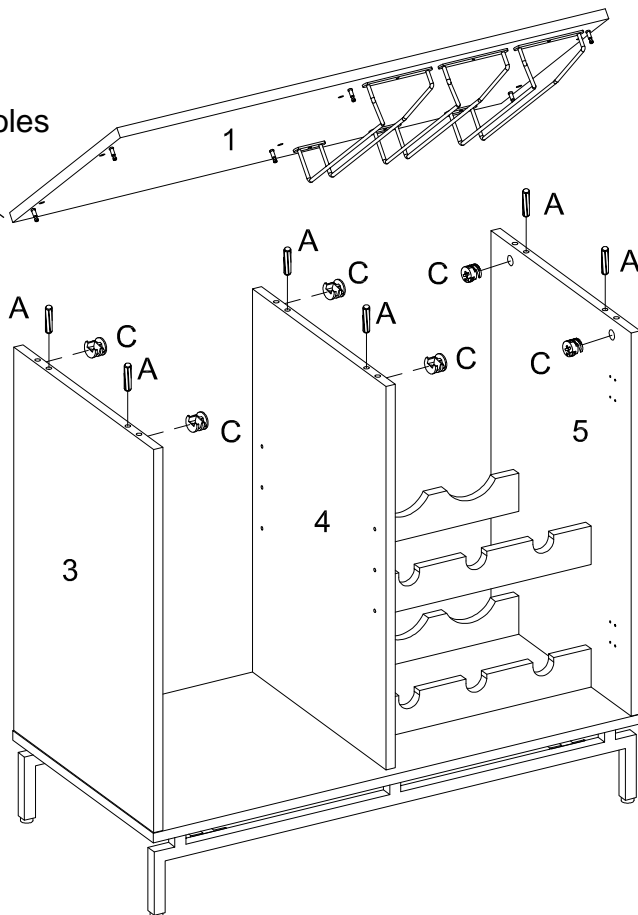


Step 7

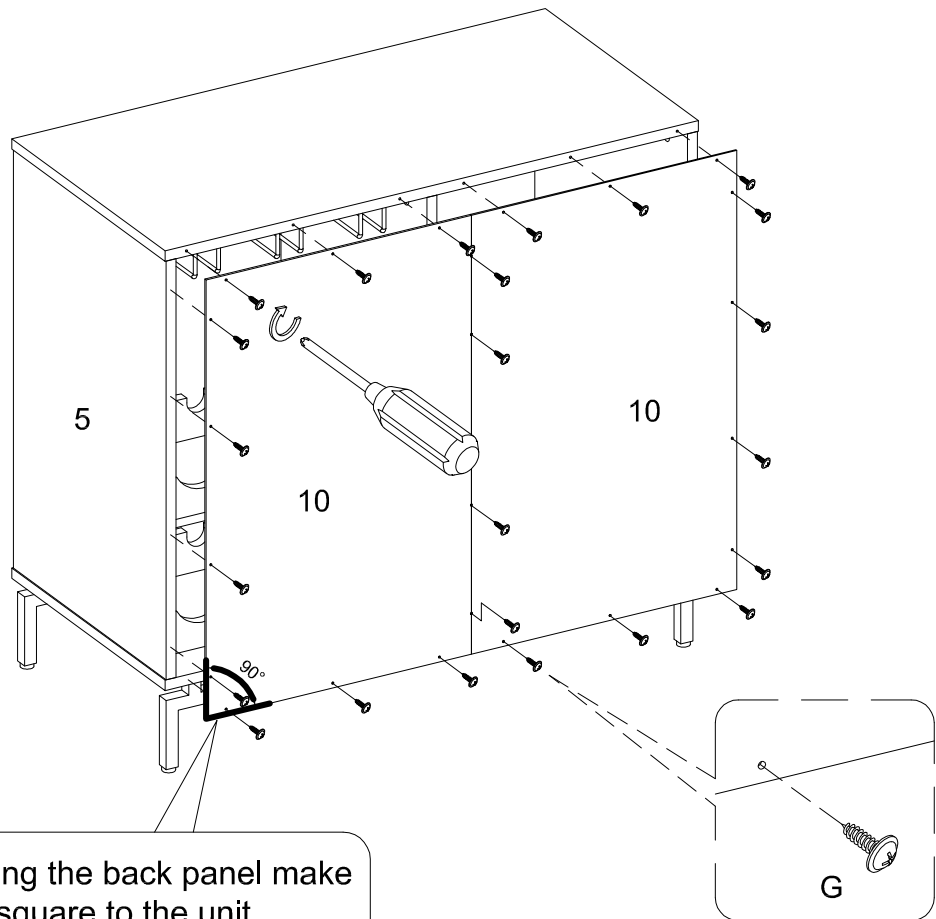


Step 8

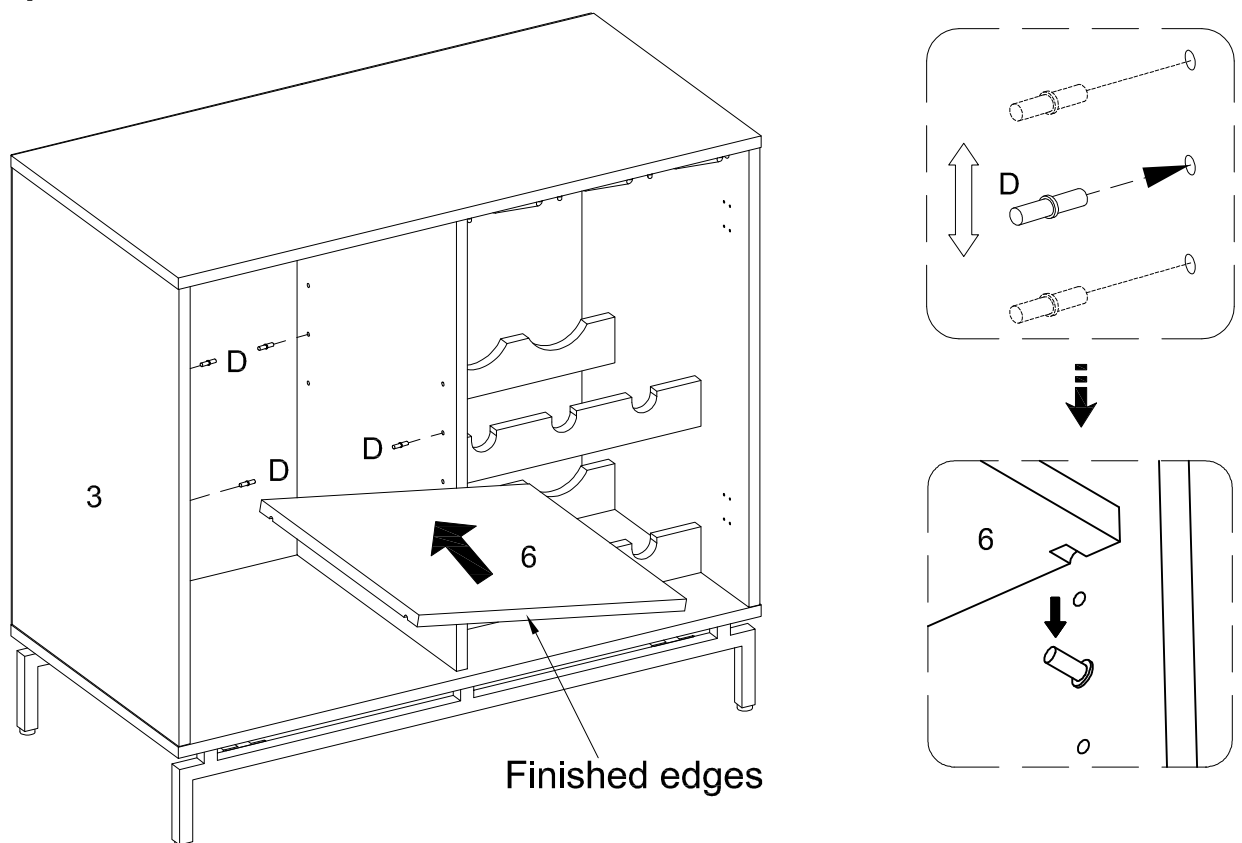
Back panel holes



Step 9

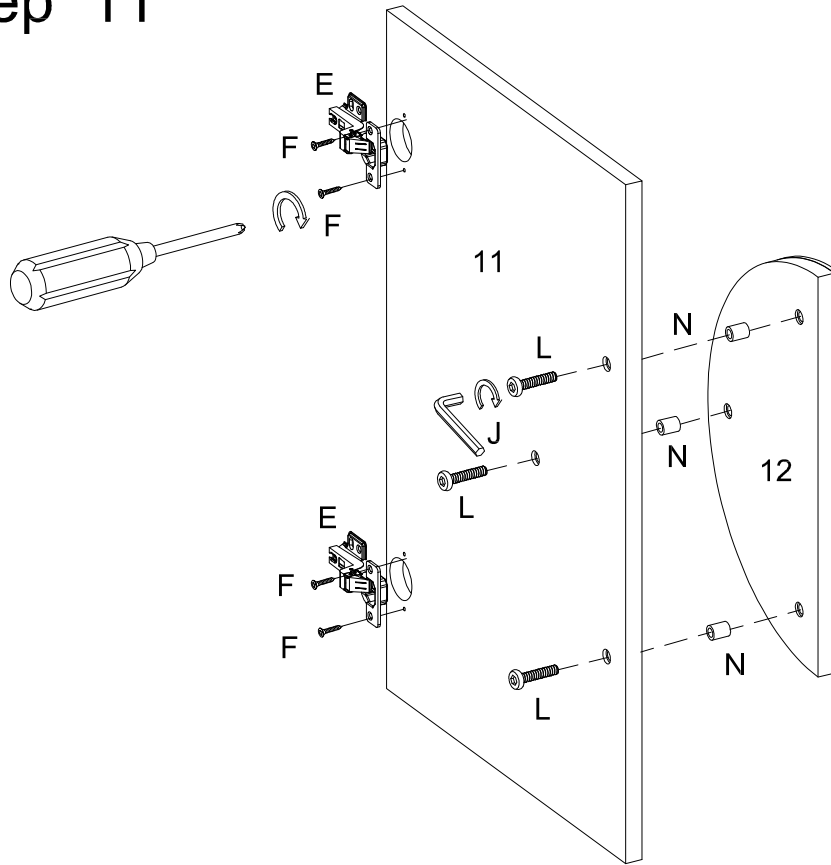


Step 10

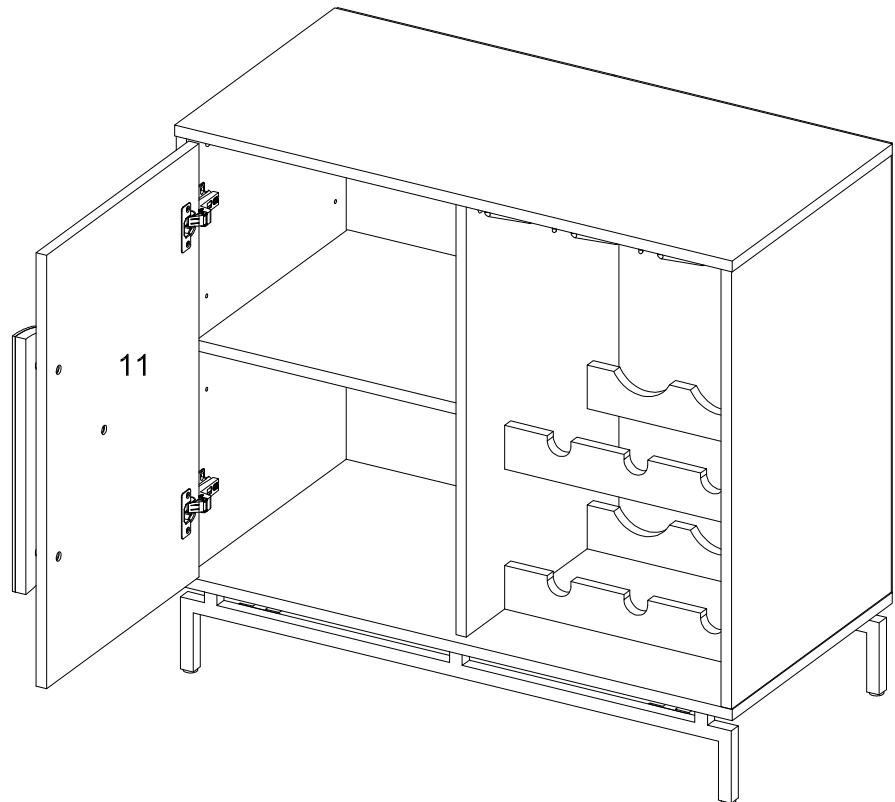


Step 11

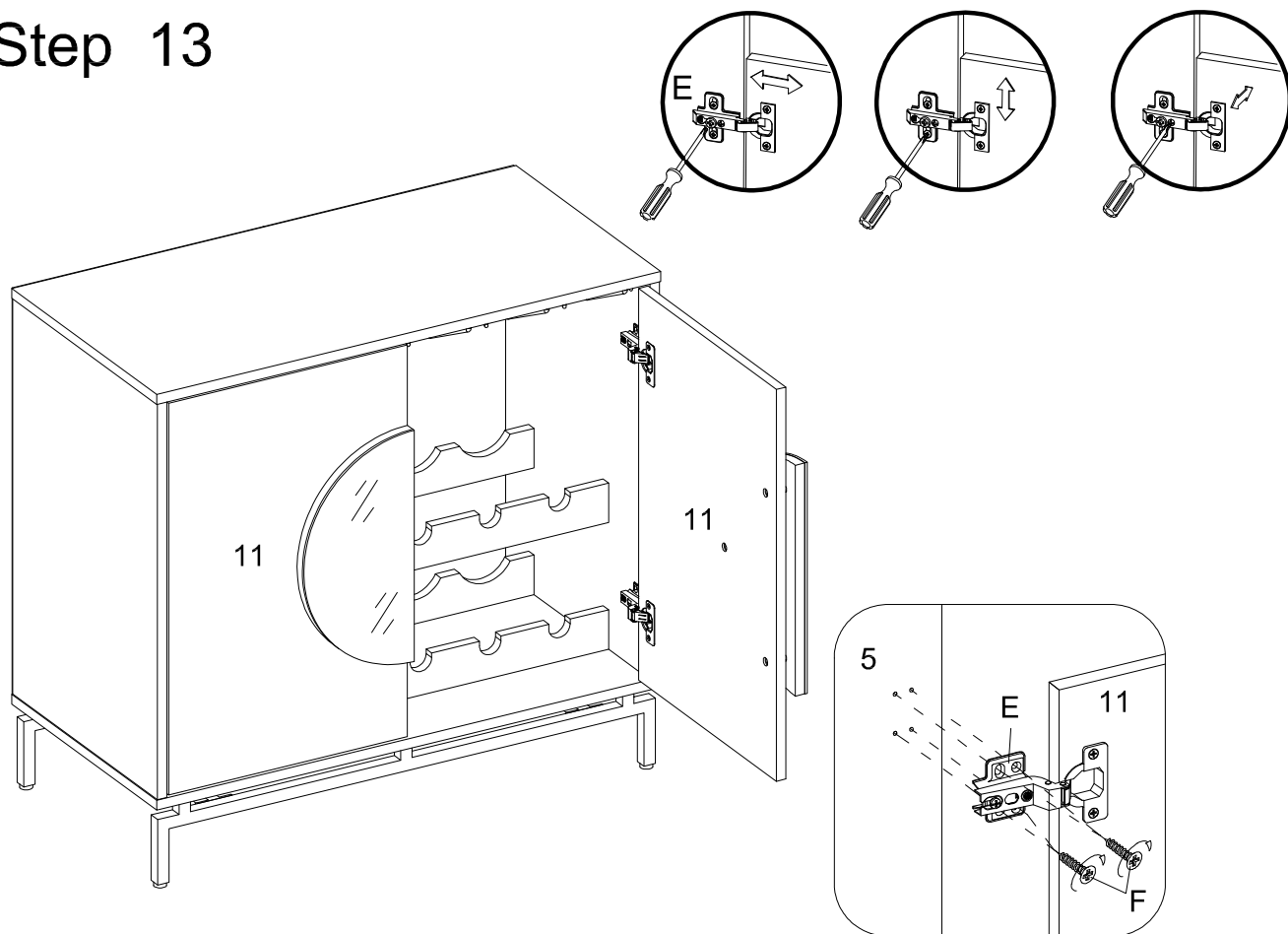
x2



Step 12



Step 13



Step 14

WARNING

You must install the tip restraint hardware to help prevent any accidents or damage to the unit. We strongly recommend attaching the tip restraint hardware to a wall stud and your unit. For all other wall types, please visit your local hardware store to obtain the proper hardware.

