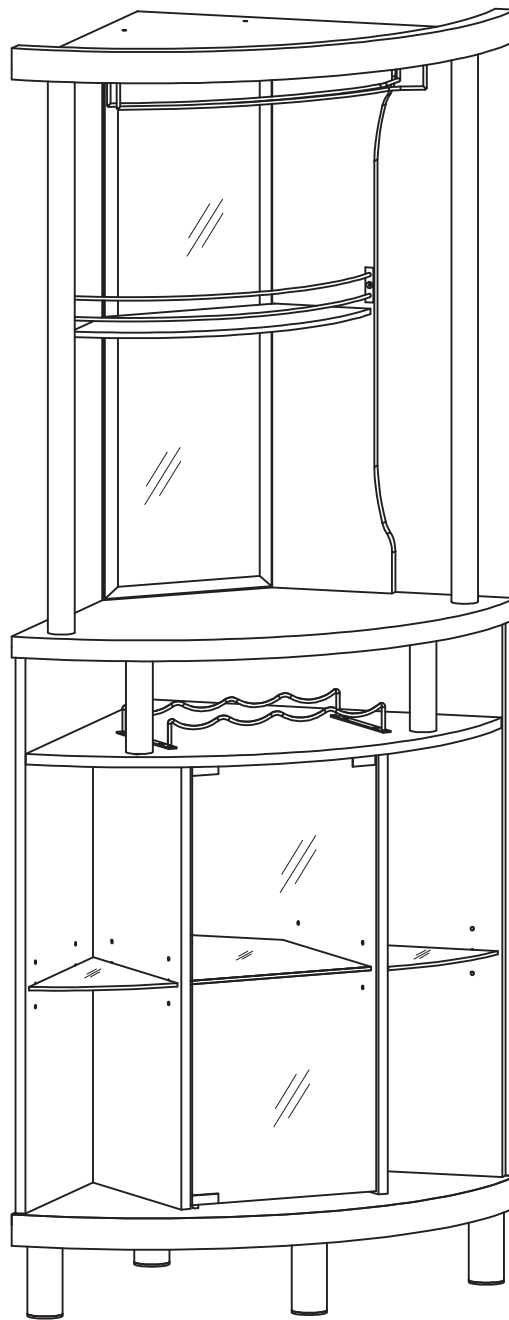
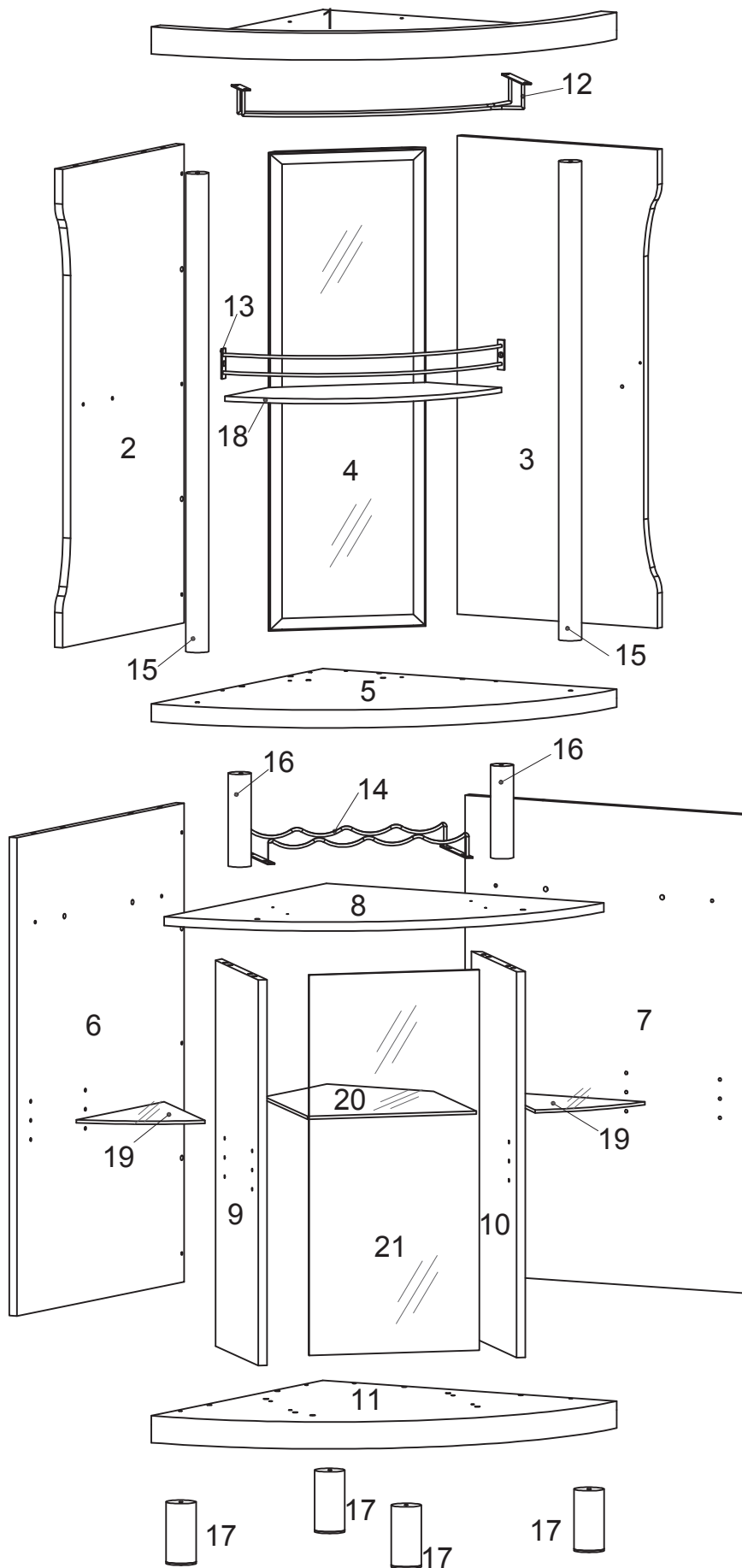



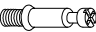

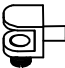





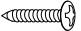
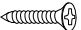





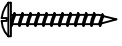


HOME SOURCE[®]

DC04

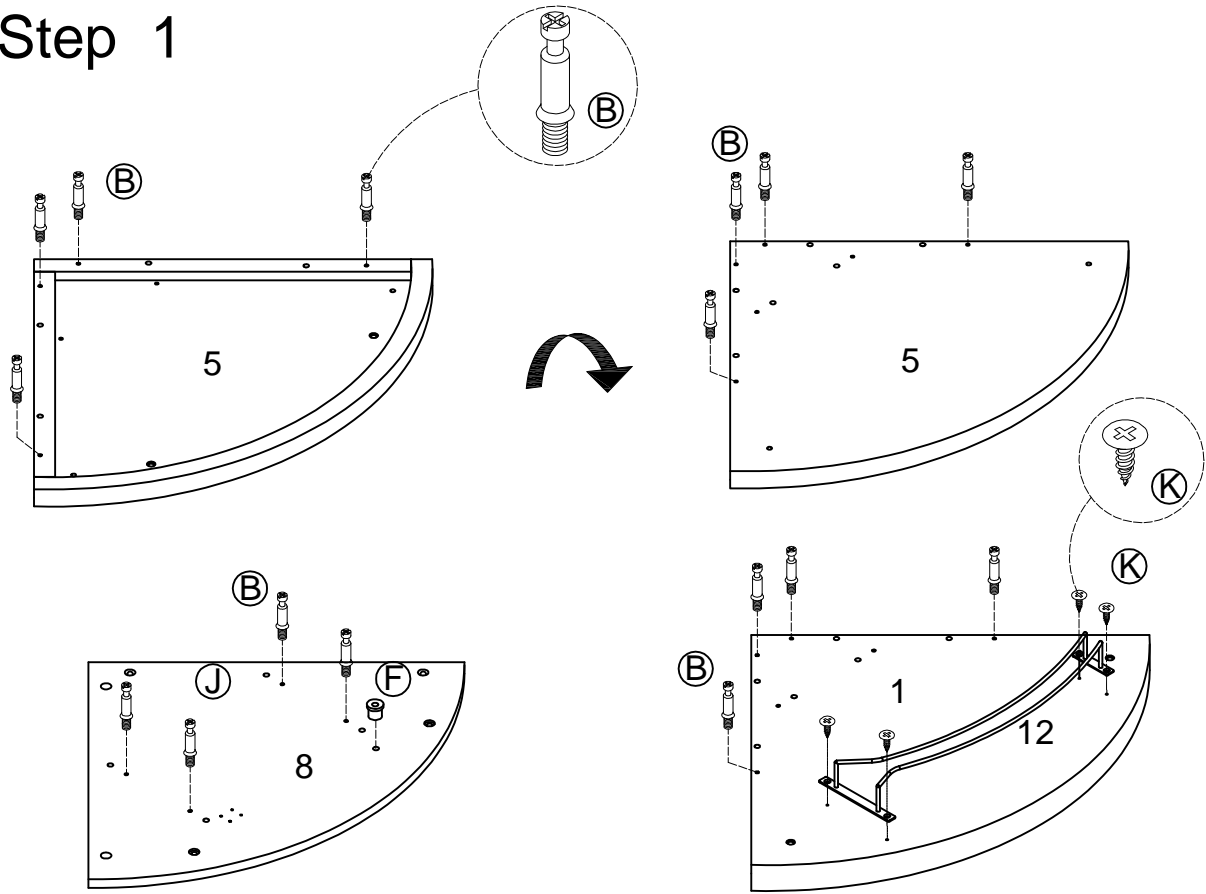




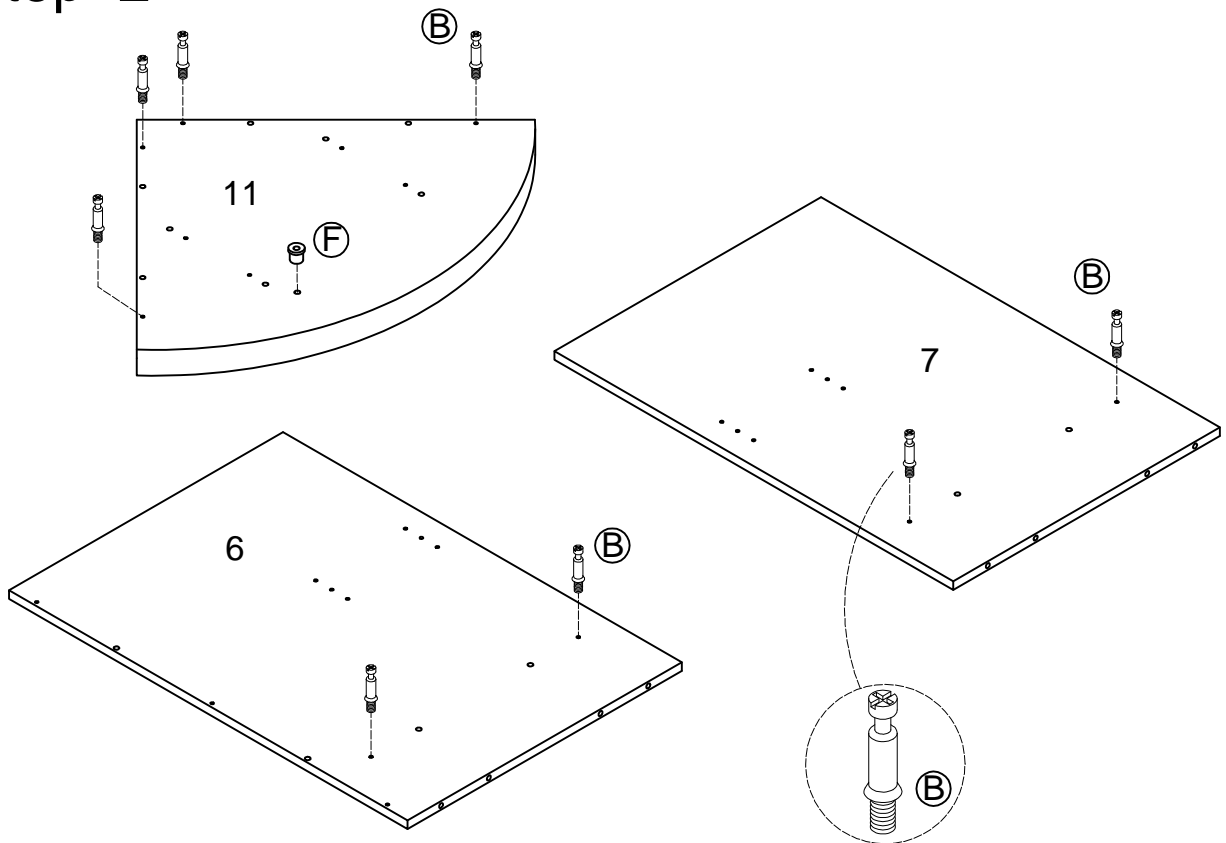
Hardware List

| | | | | |
|---|---|-----------|--------------------------|--------|
| A |  | Ø8x30mm | wooden dowel | 36 pcs |
| B |  | Ø6x35mm | Cam bolt | 24 pcs |
| C |  | Ø15x11mm | Cam lock | 24 pcs |
| D |  | | Glass support | 16 pcs |
| E |  | Ø4x44mm | Fast screw | 14 pcs |
| F |  | Ø8*12 | Door shaft support | 2 pcs |
| G |  | | Hinge | 1 set |
| H |  | | pressure catche | 1 pc |
| I |  | | Magnetic pressure catche | 1 pc |
| J |  | Ø3.5x15mm | Screw | 4 pcs |
| K |  | Ø3.5x15mm | Screw | 10 pcs |
| L |  | 1/4x38mm | Screw | 4 pcs |
| M |  | 1/4x32mm | Bolt | 8 pcs |
| N |  | Ø25mm | paper cover | 16 pcs |
| O |  | | Glue tube | 1 pc |
| P |  | Ø9*4*12mm | Screw | 2 pcs |
| Q |  | Ø9*4*26mm | Screw | 2 pcs |
| R |  | 150*25mm | Wall strap | 2 pcs |
| S |  | Ø7*30mm | Plug | 2 pcs |

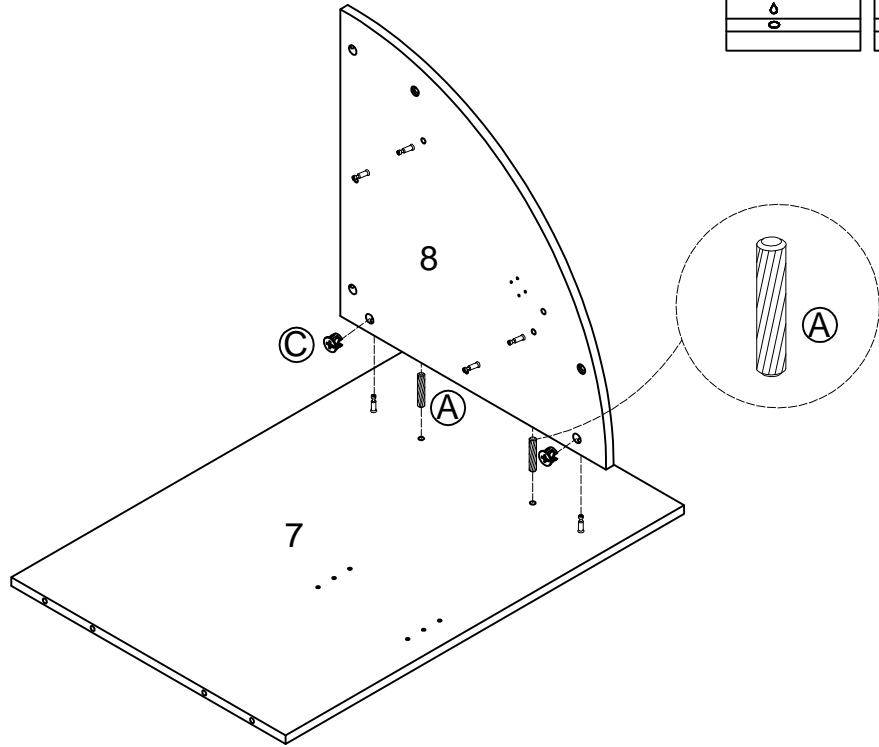
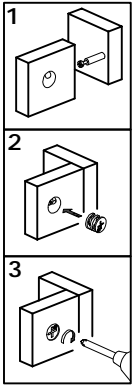
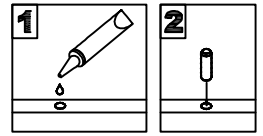
Step 1



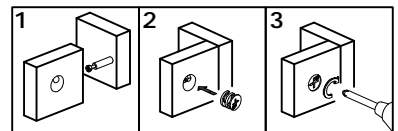
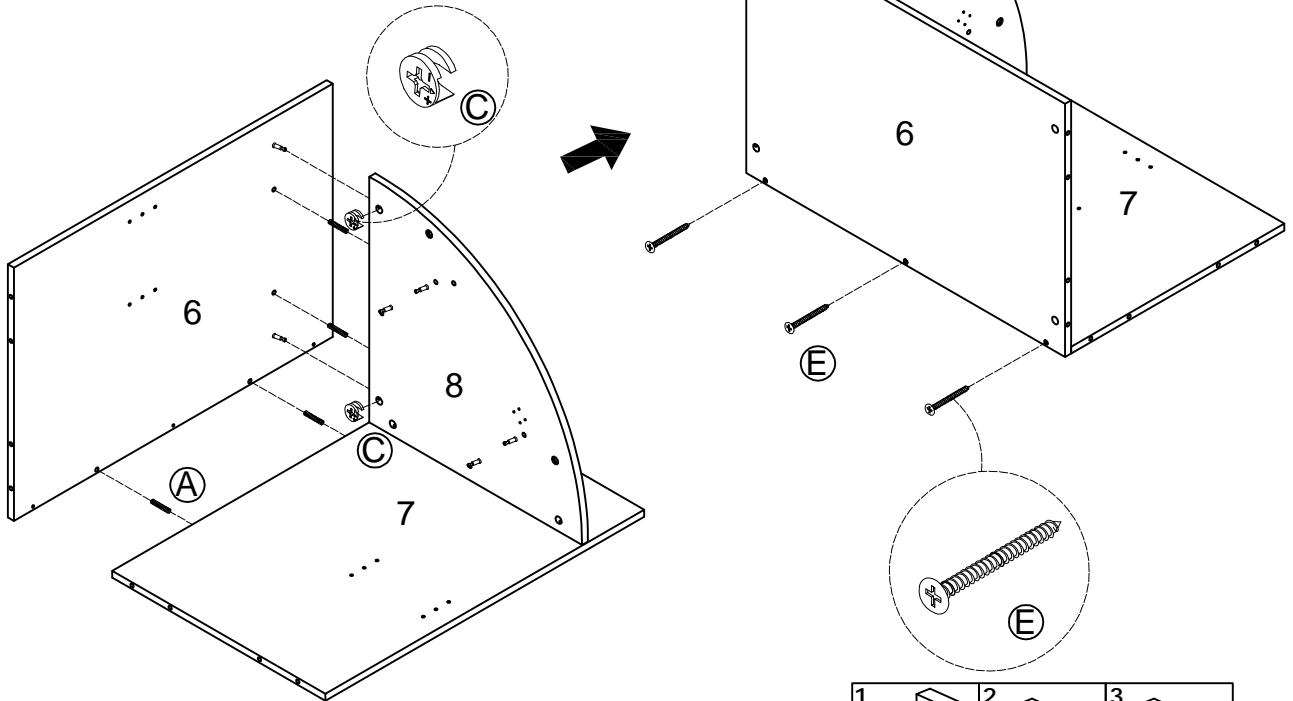
Step 2



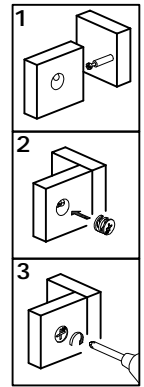
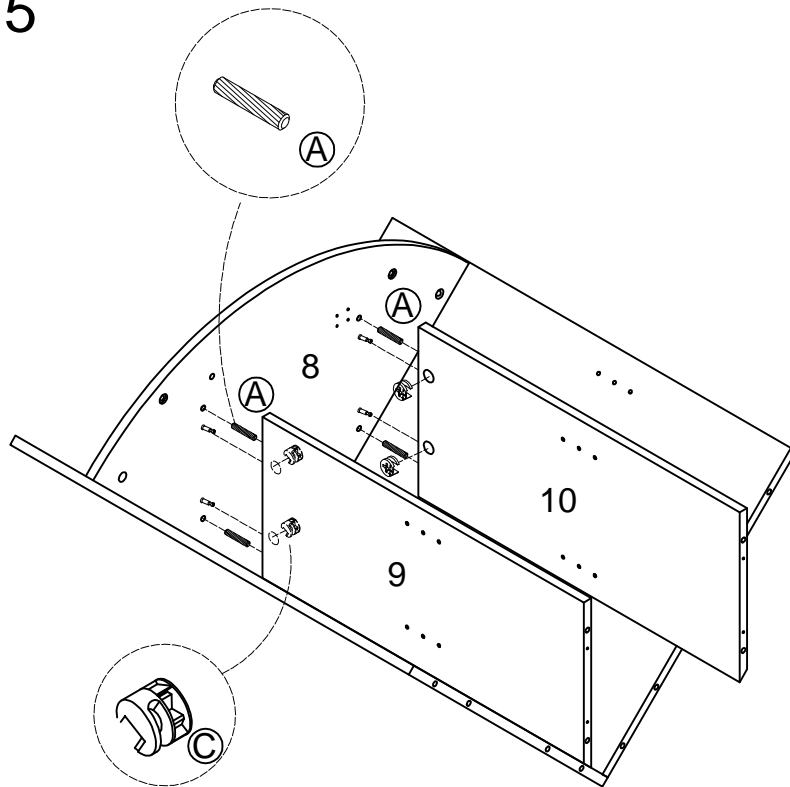
Step 3



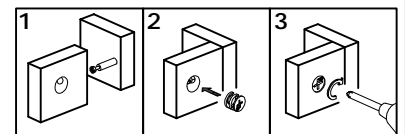
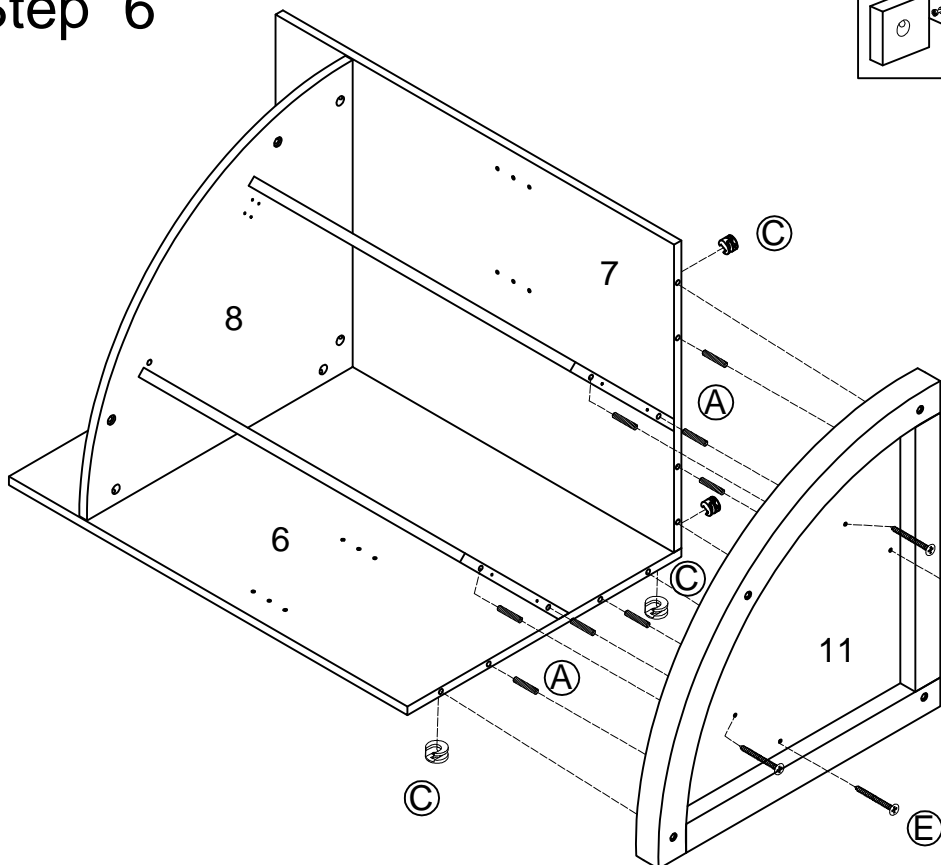
Step 4



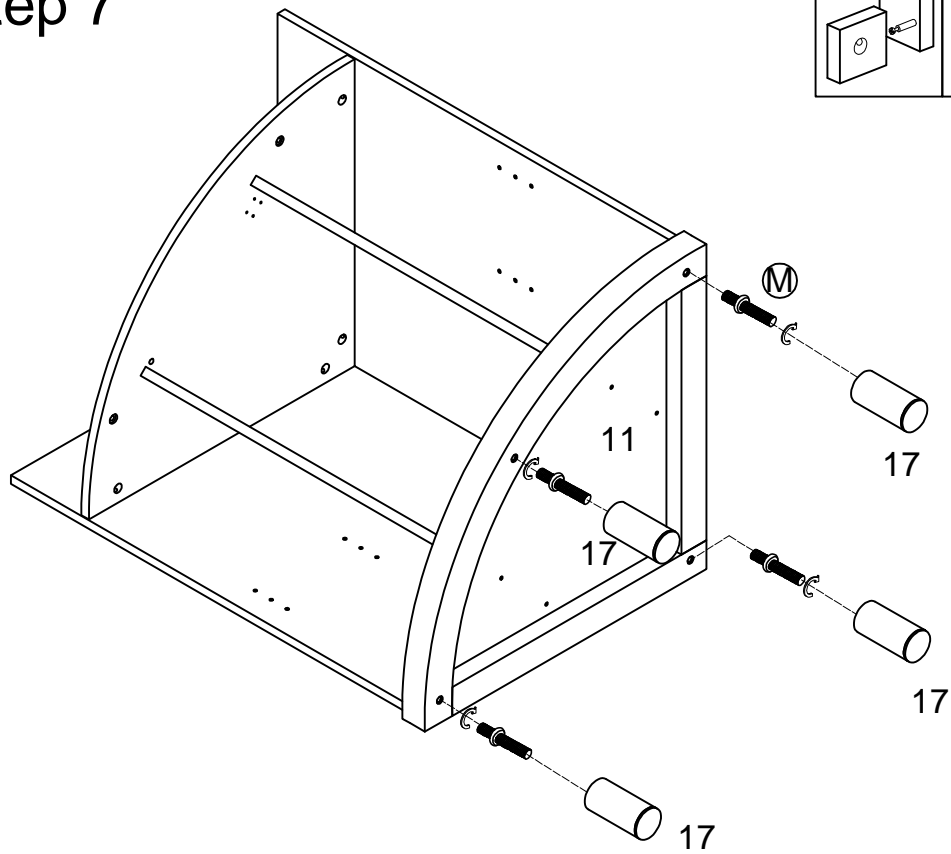
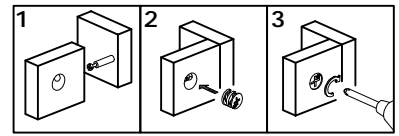
Step 5



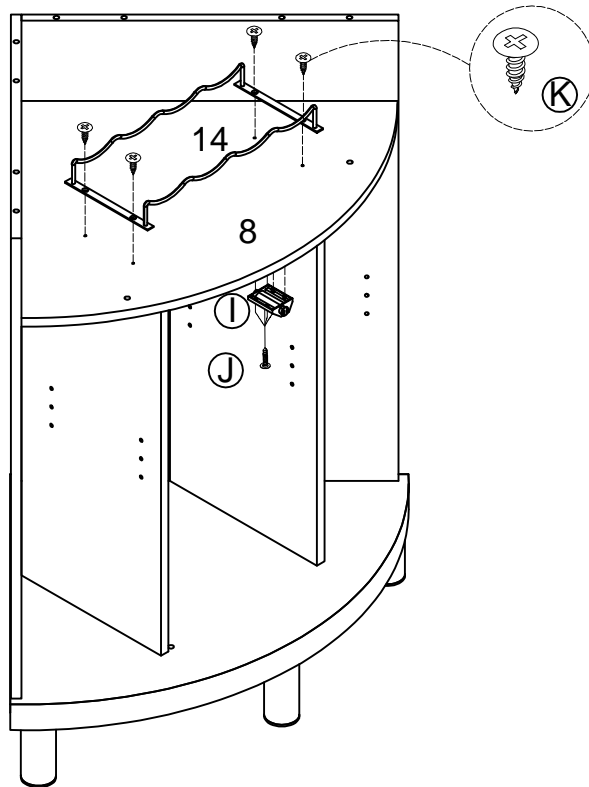
Step 6



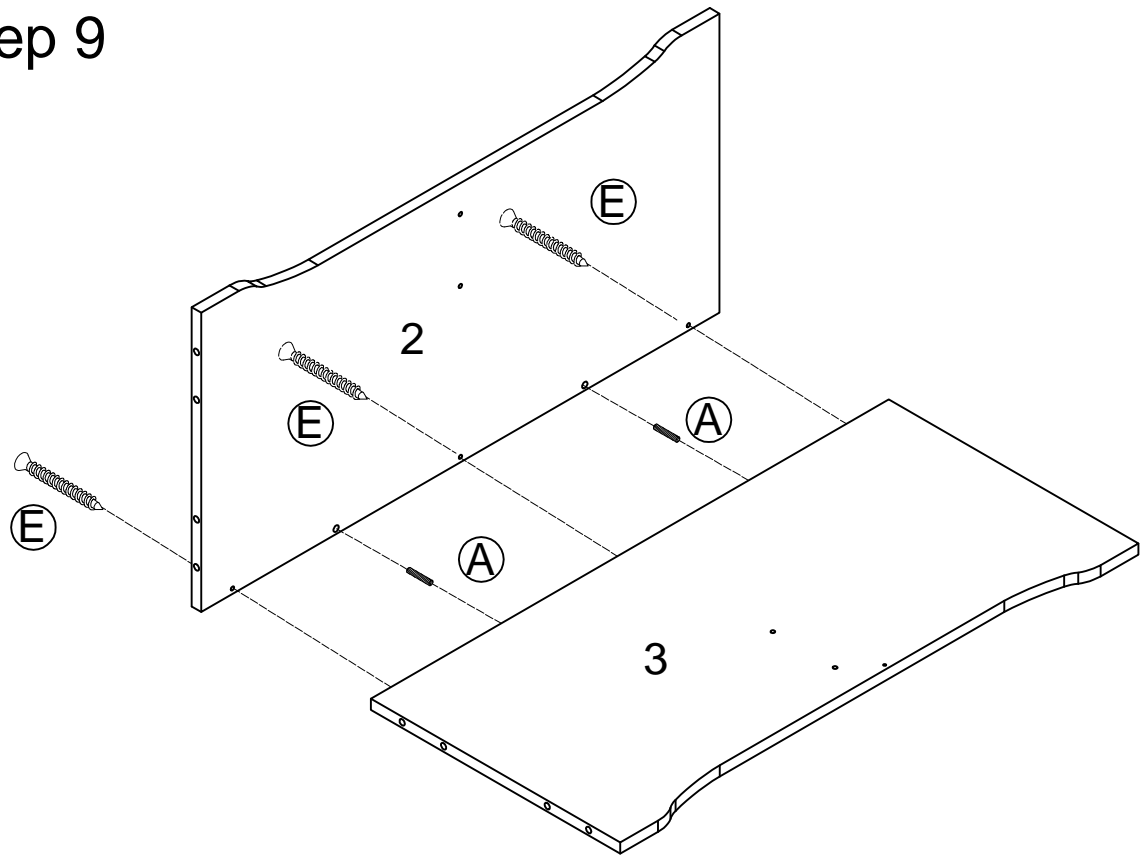
Step 7



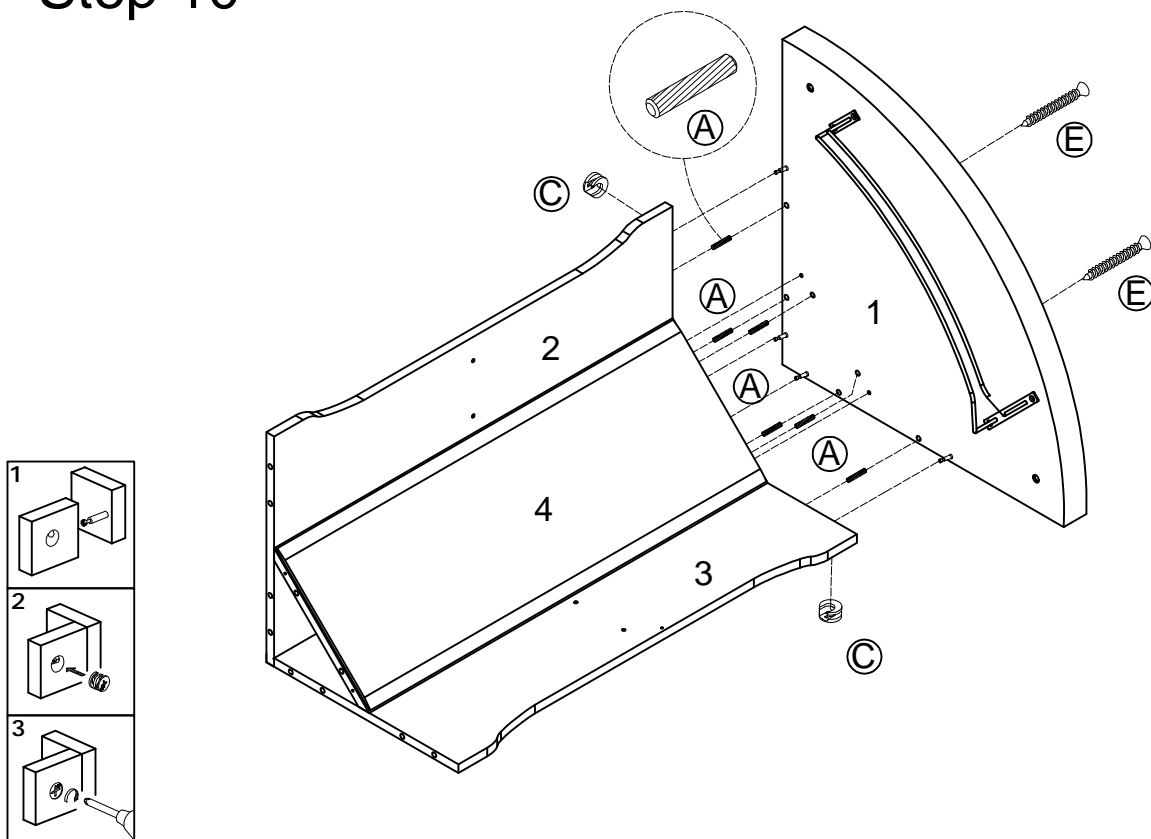
Step 8



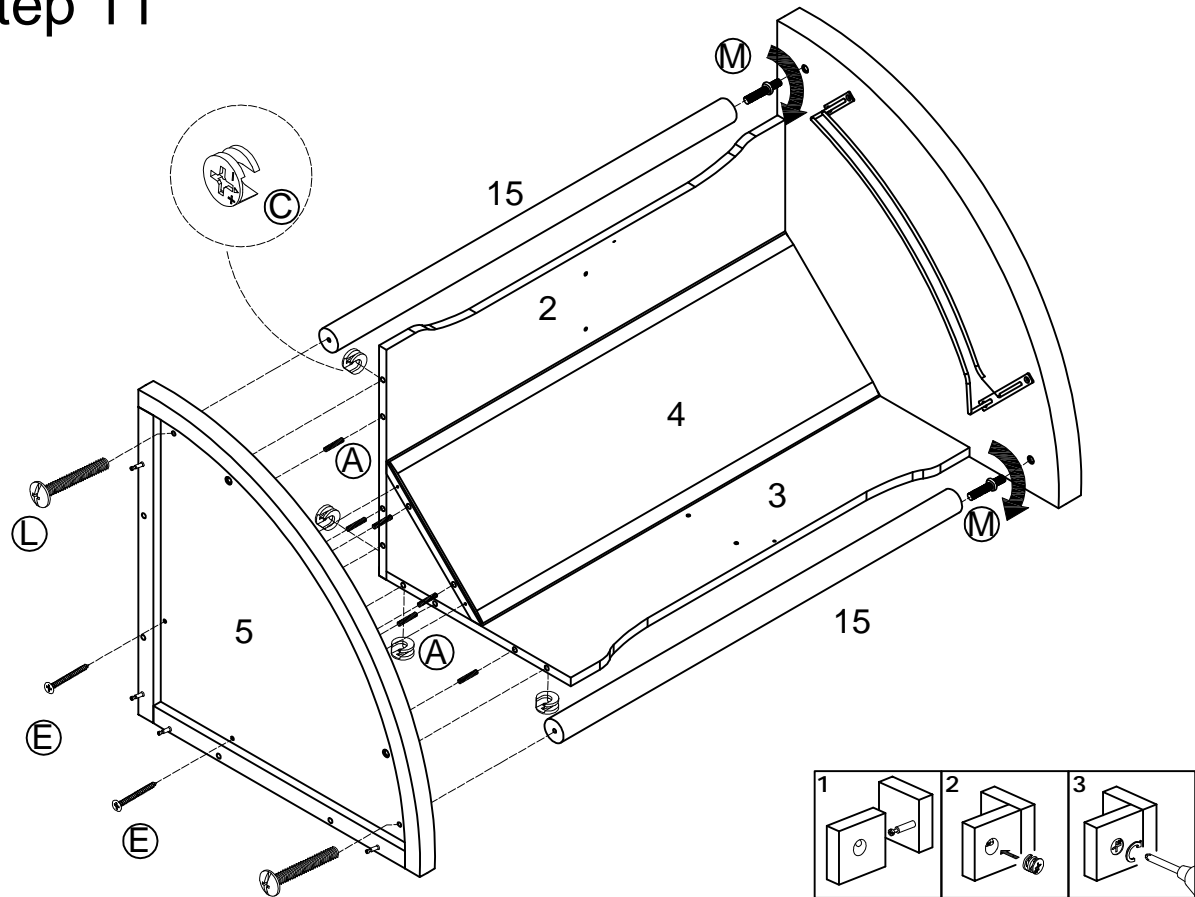
Step 9



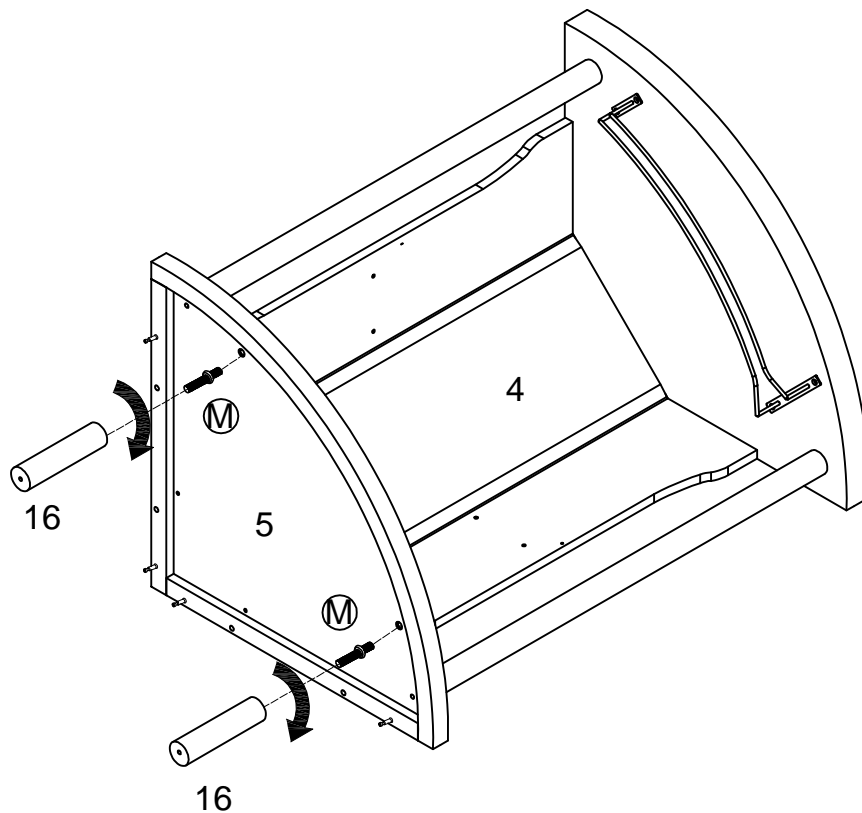
Step 10



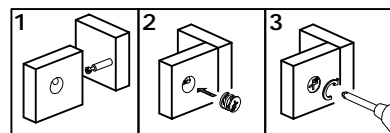
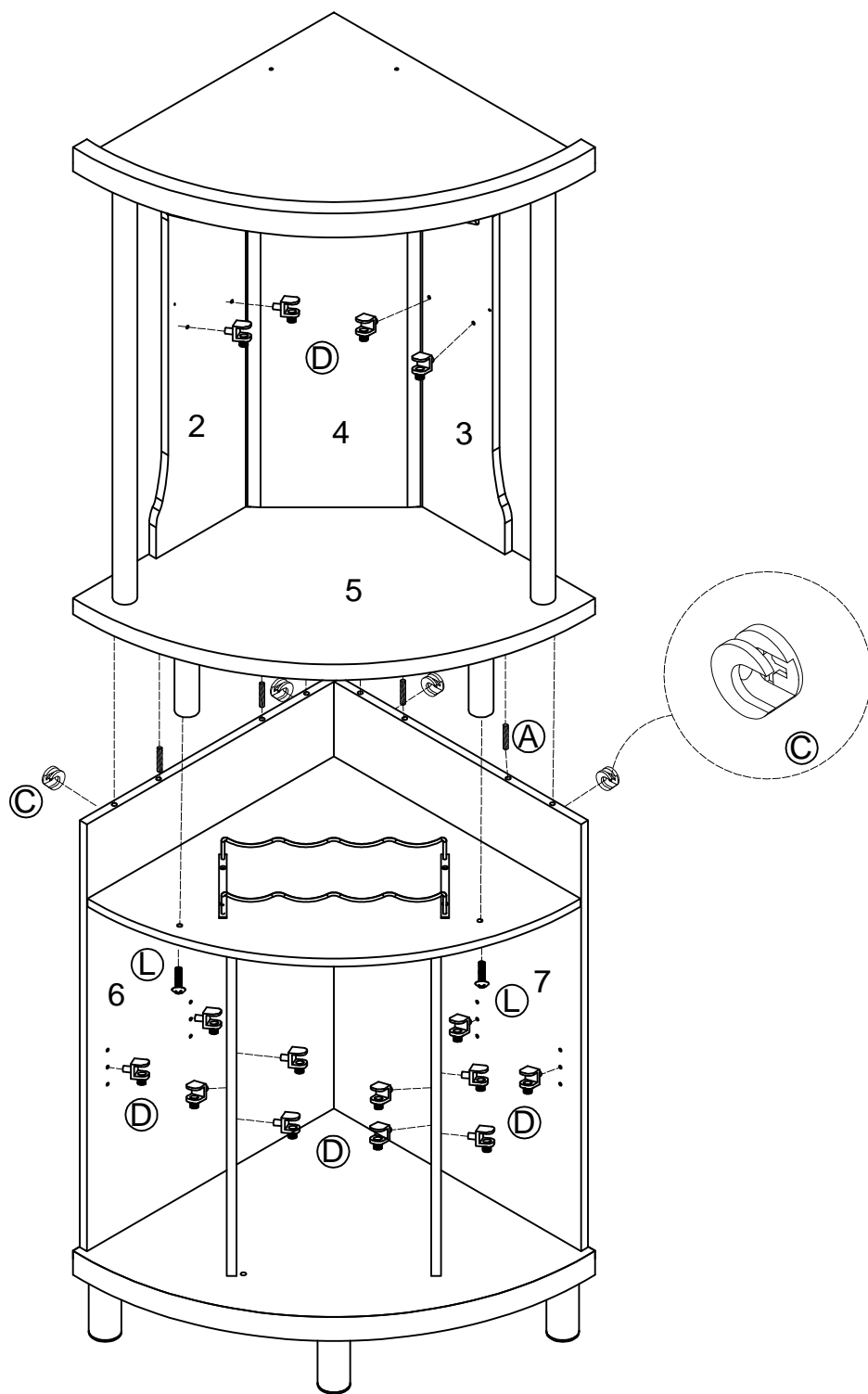
Step 11



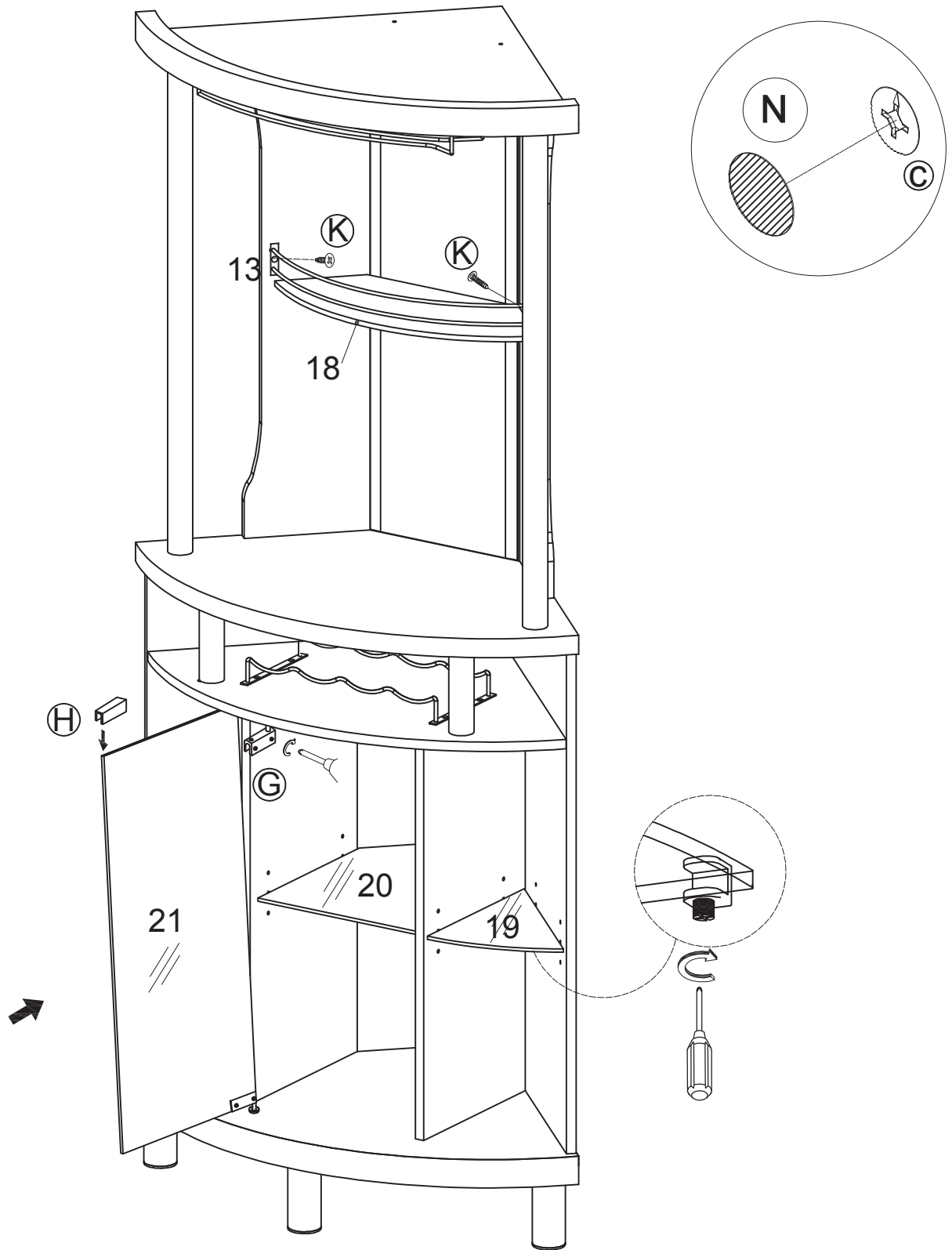
Step 12



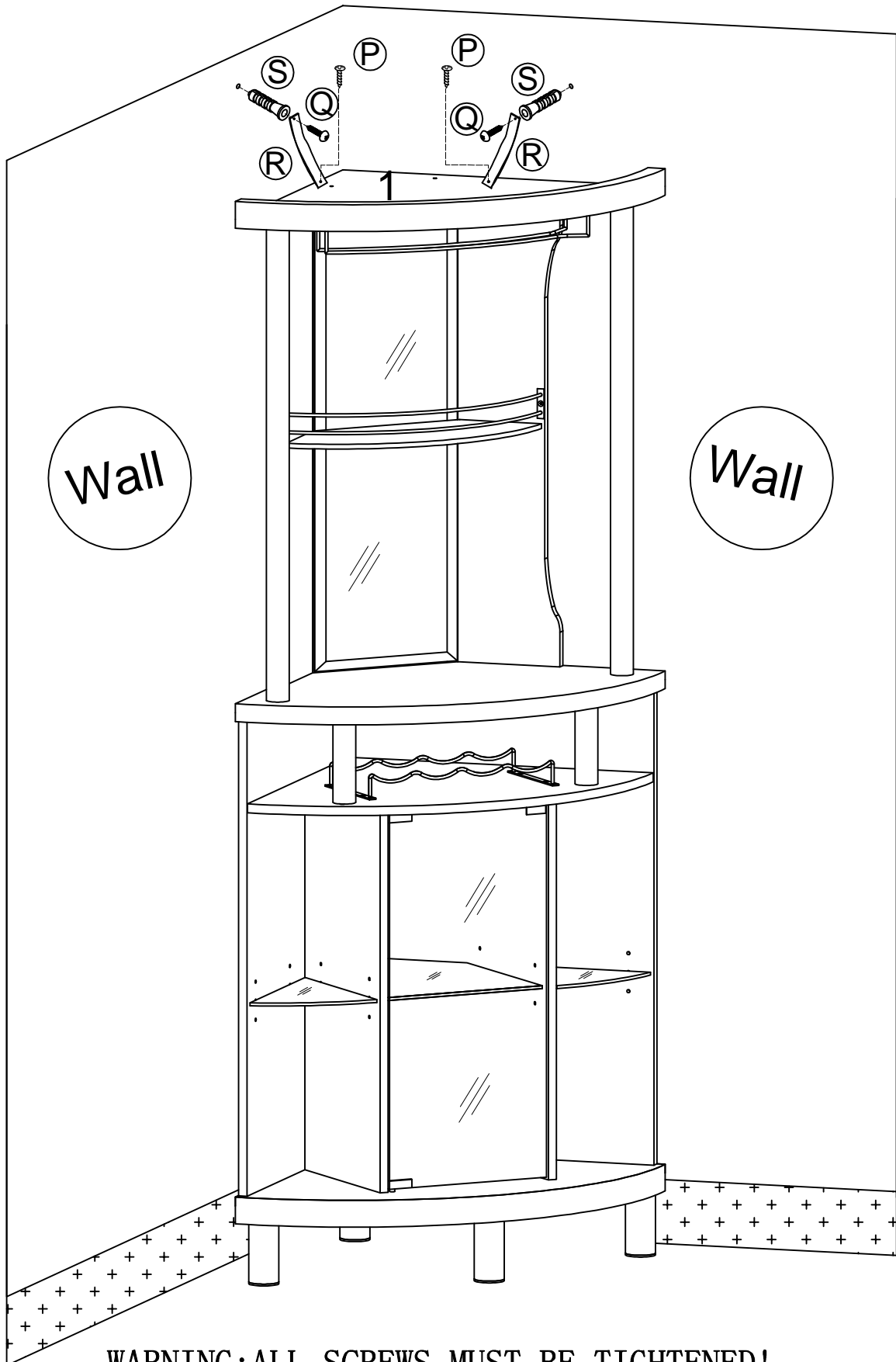
Step 13



Step 14



Step 15



WARNING: ALL SCREWS MUST BE TIGHTENED!