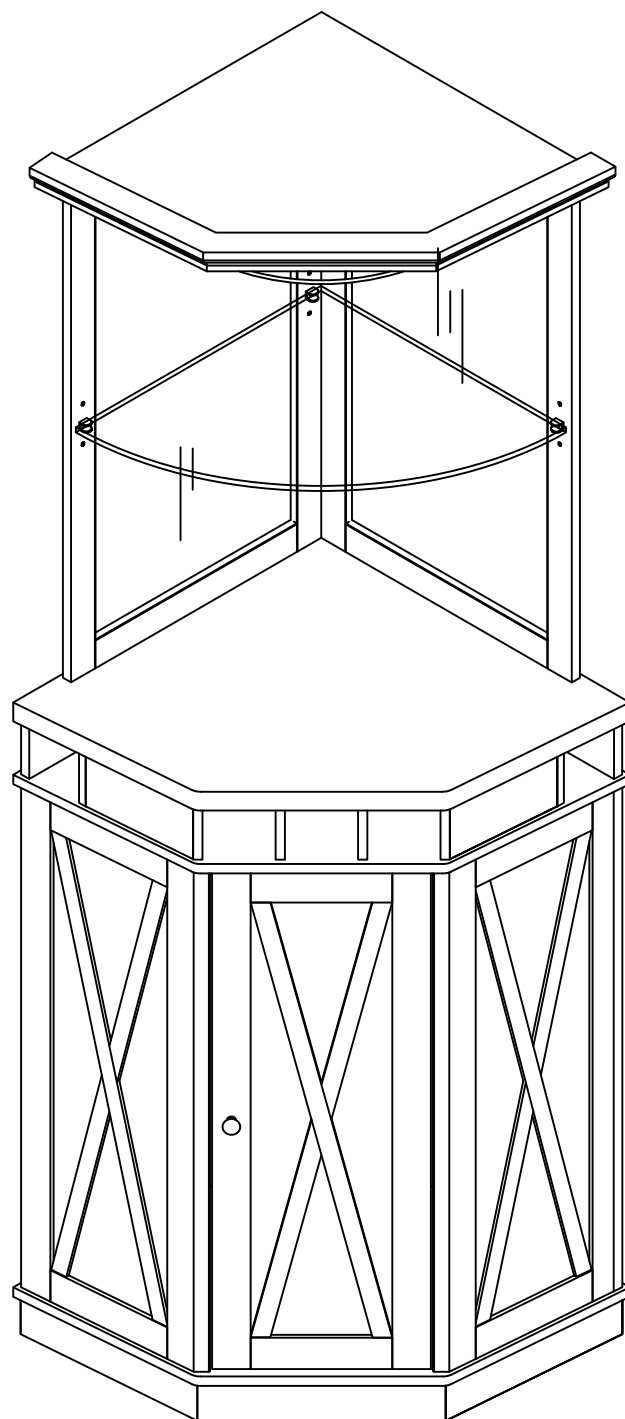
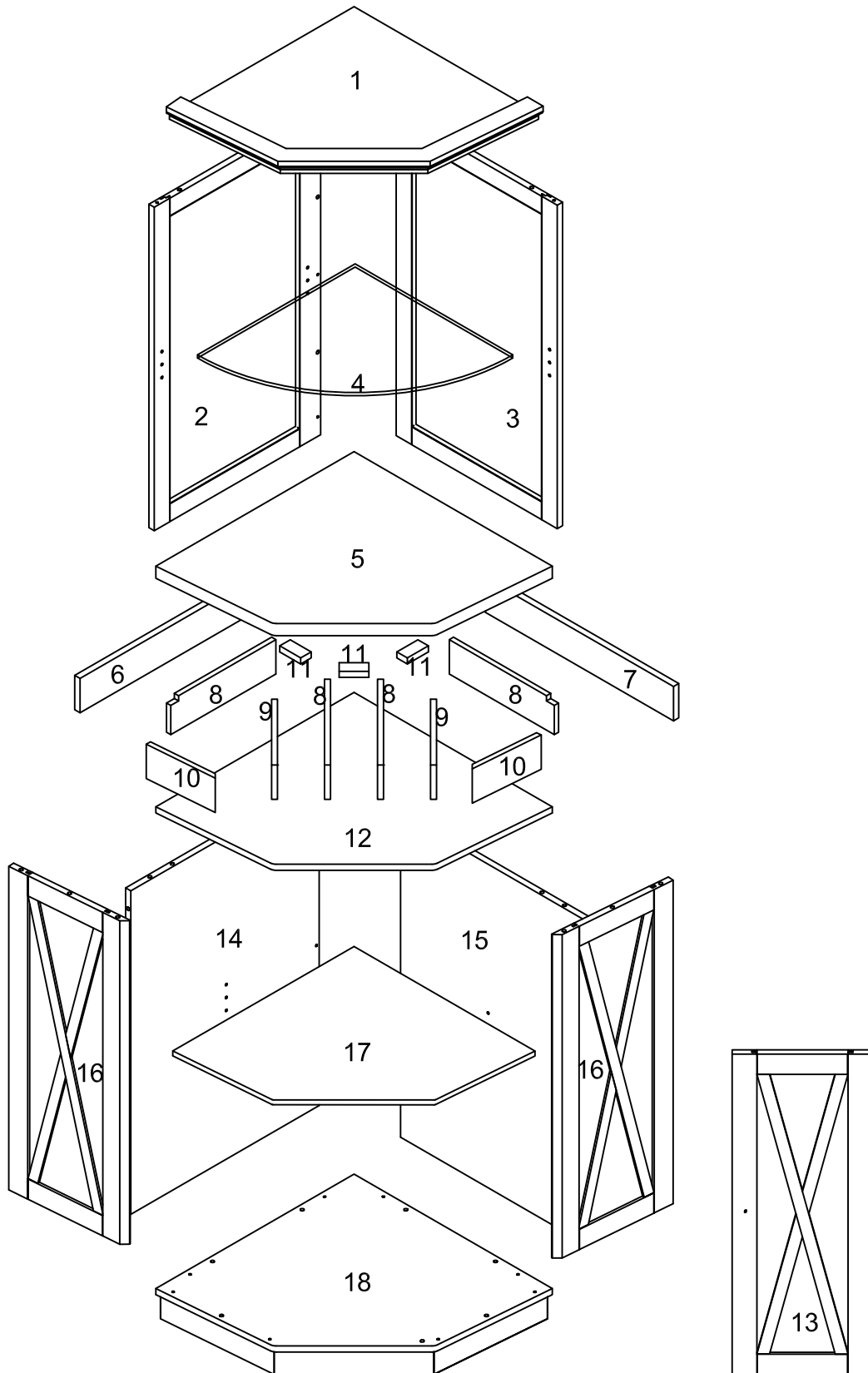


HOME SOURCE[®]























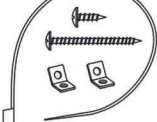
ASSEMBLY INSTRUCTION
MODEL:DC08 MOP



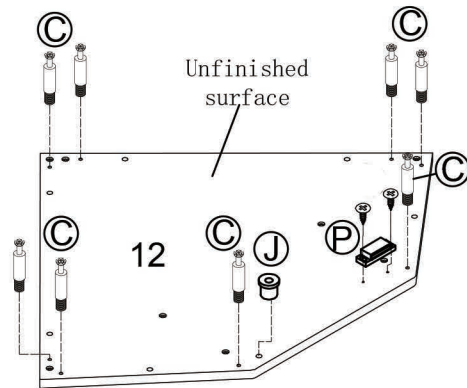
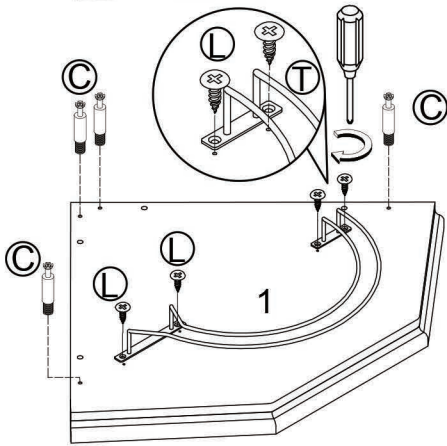
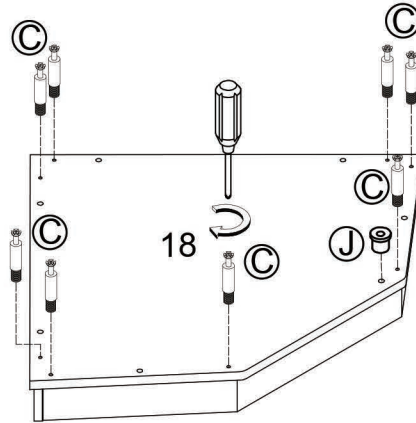
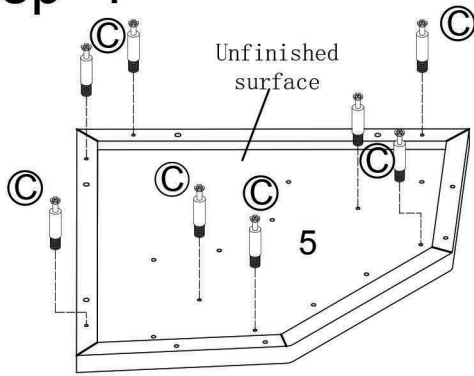
Parts List



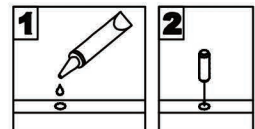
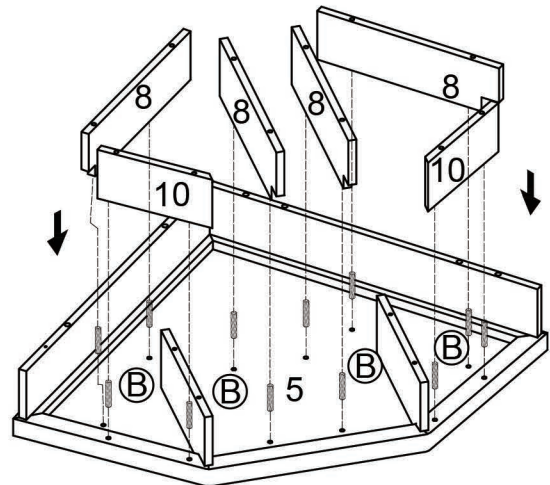
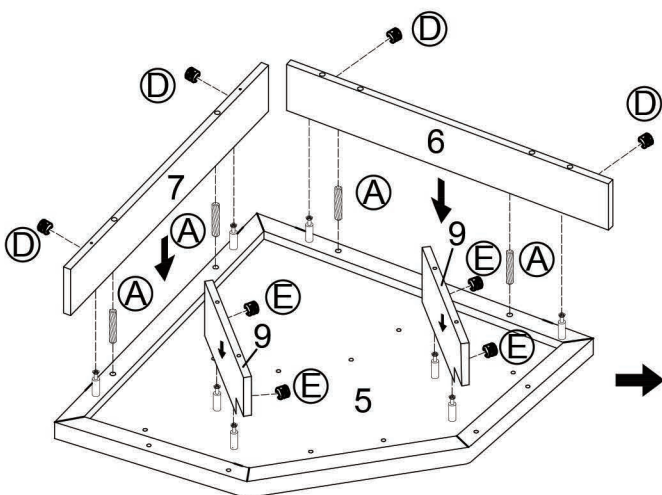
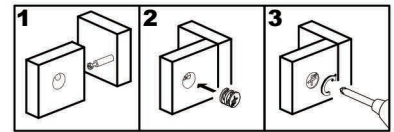
Hardware List

A		Ø8x30mm	wooden dowel	36 pcs
B		Ø6x30mm	wooden dowel	24 pcs
C		Ø6x35mm	Cam bolt	38 pcs
D		Ø15x11mm	Cam lock	34 pcs
E		Ø15x9mm	Cam lock	4 pcs
F		Ø8x5x16mm	Shelf support pin	4 pcs
G			Handle	1 pcs
H		Ø9x4x22mm	Bolt	1 pcs
I			Glass support	3 pcs
J		Ø8*12	Door shaft support	2 pcs
K		Ø25mm	paper cover	38 pcs
L		Ø3.5x15mm	Flat head Screw	4 pcs
M		M4	Tool	1 pcs
N		Ø3x15mm	Screw	4 pcs
O			Glue tube	1 pcs
P			Magic catch	1 set
Q		30*22*1 / Ø3*12mm	Magic catch plate	1 set
R		40*16.5*15	Hinge	1 pcs
S		40*16.5*15	Hinge	1 pcs
T			Wine rack	1 pcs
U		Ø4x44mm	Fast screw	14 pcs
V		Ø4x19mm	Fast screw	6 pcs
W			Tipping Restraint Hardware Kit	2 set

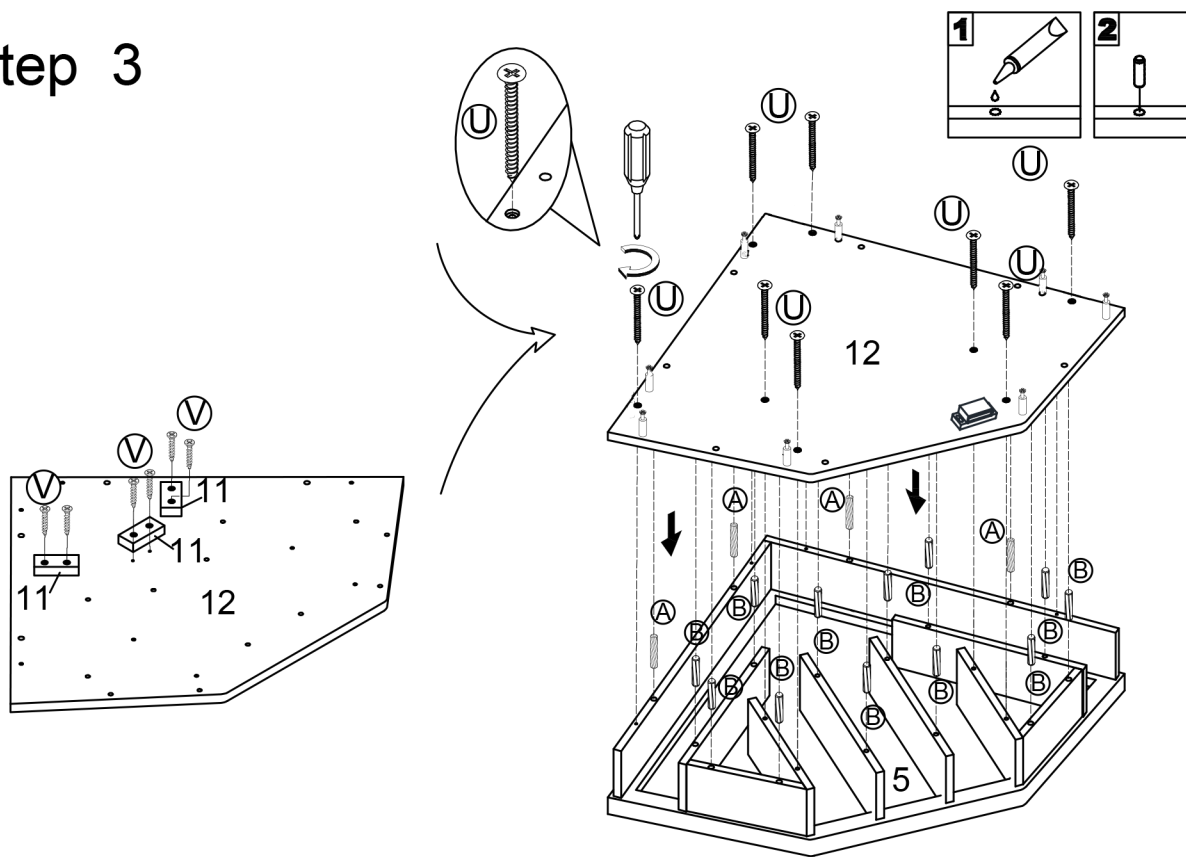
Step 1



Step 2

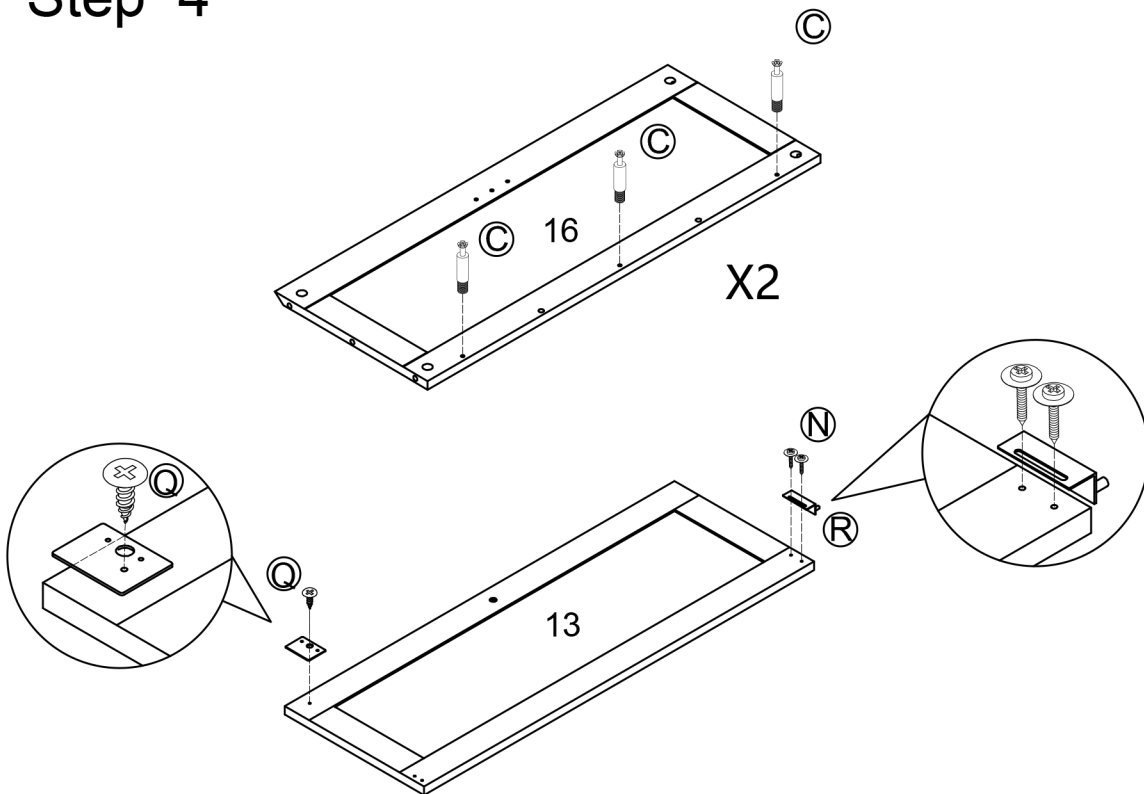


Step 3

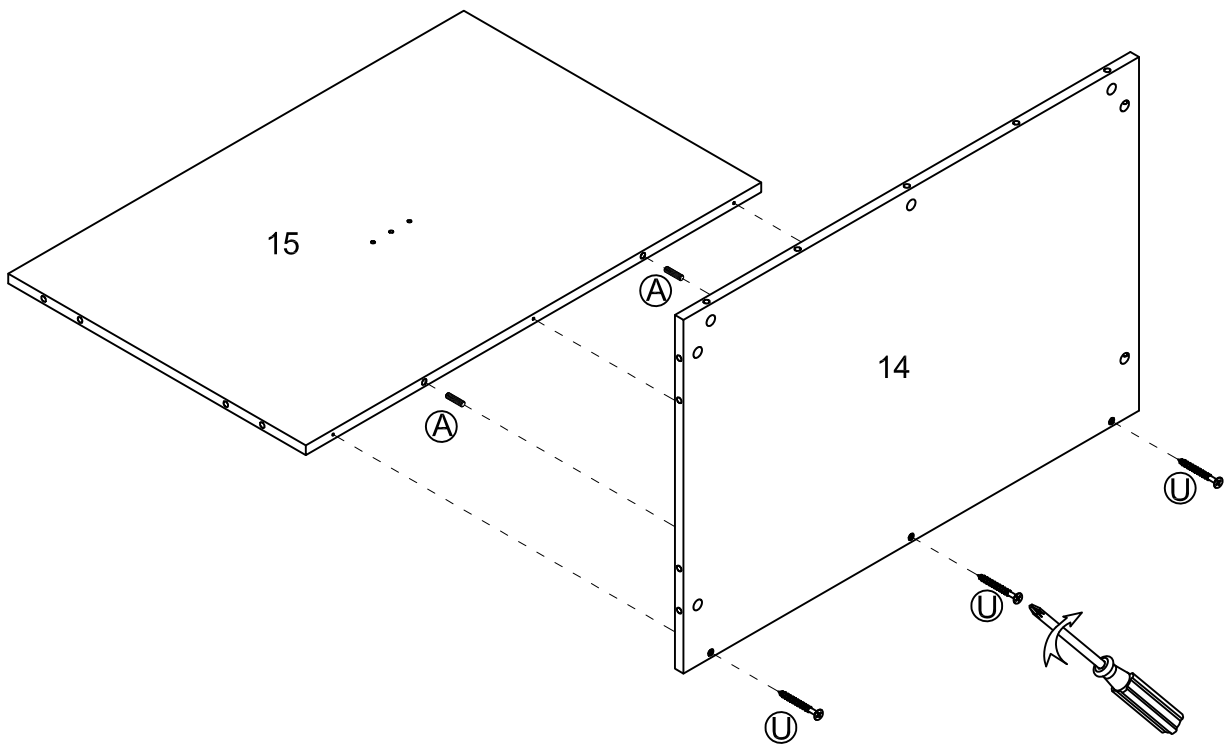


Notice: the step is useful two wooden dowel

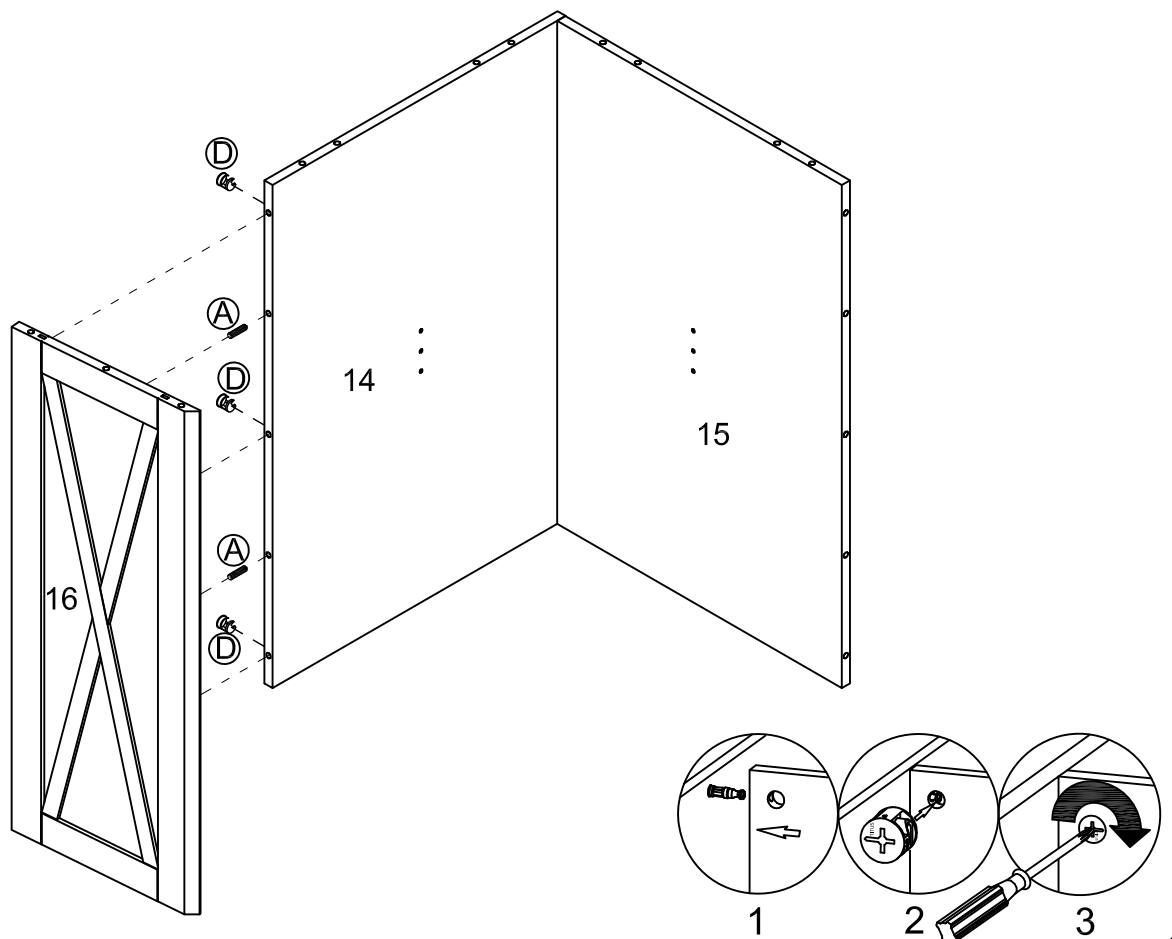
Step 4



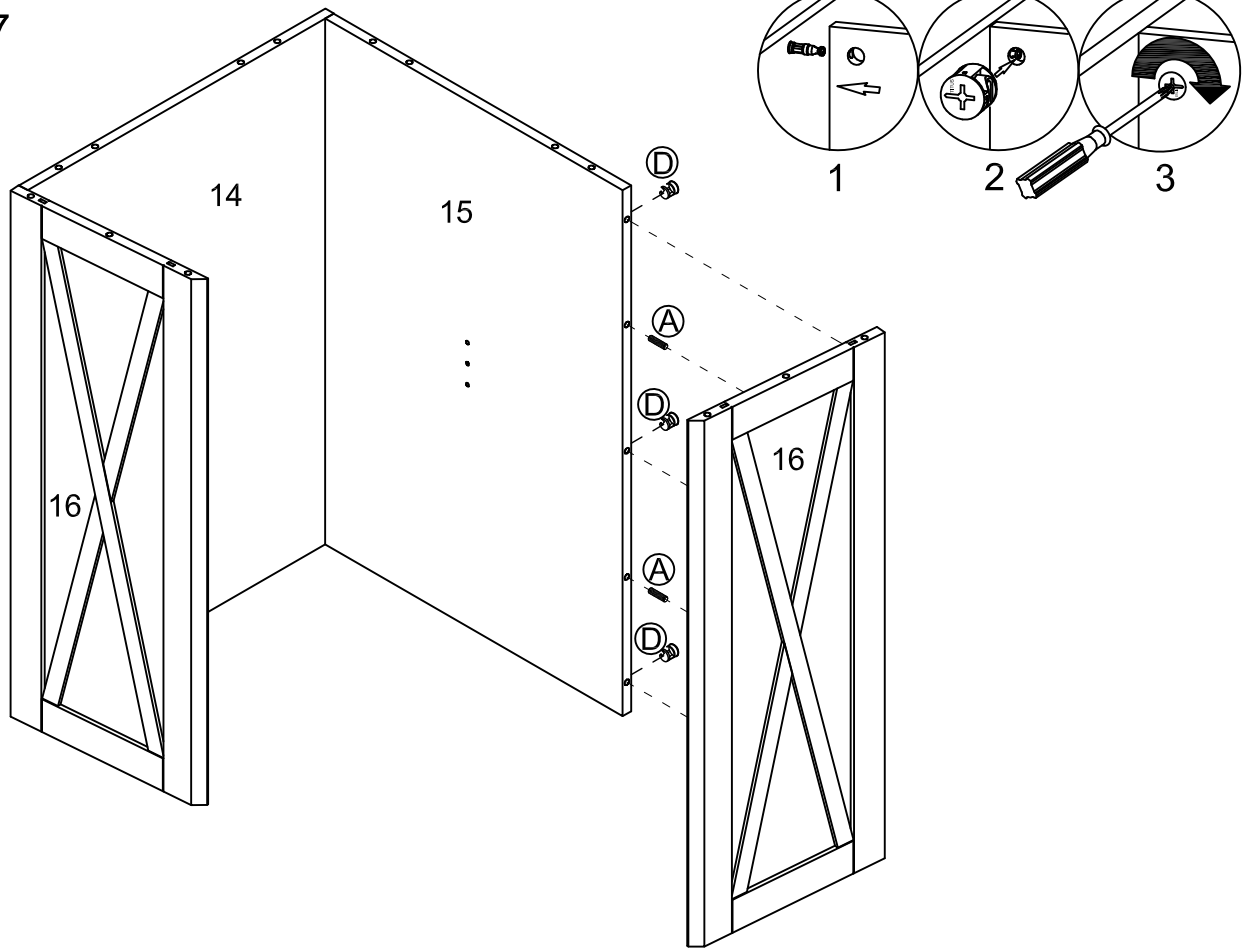
Step 5



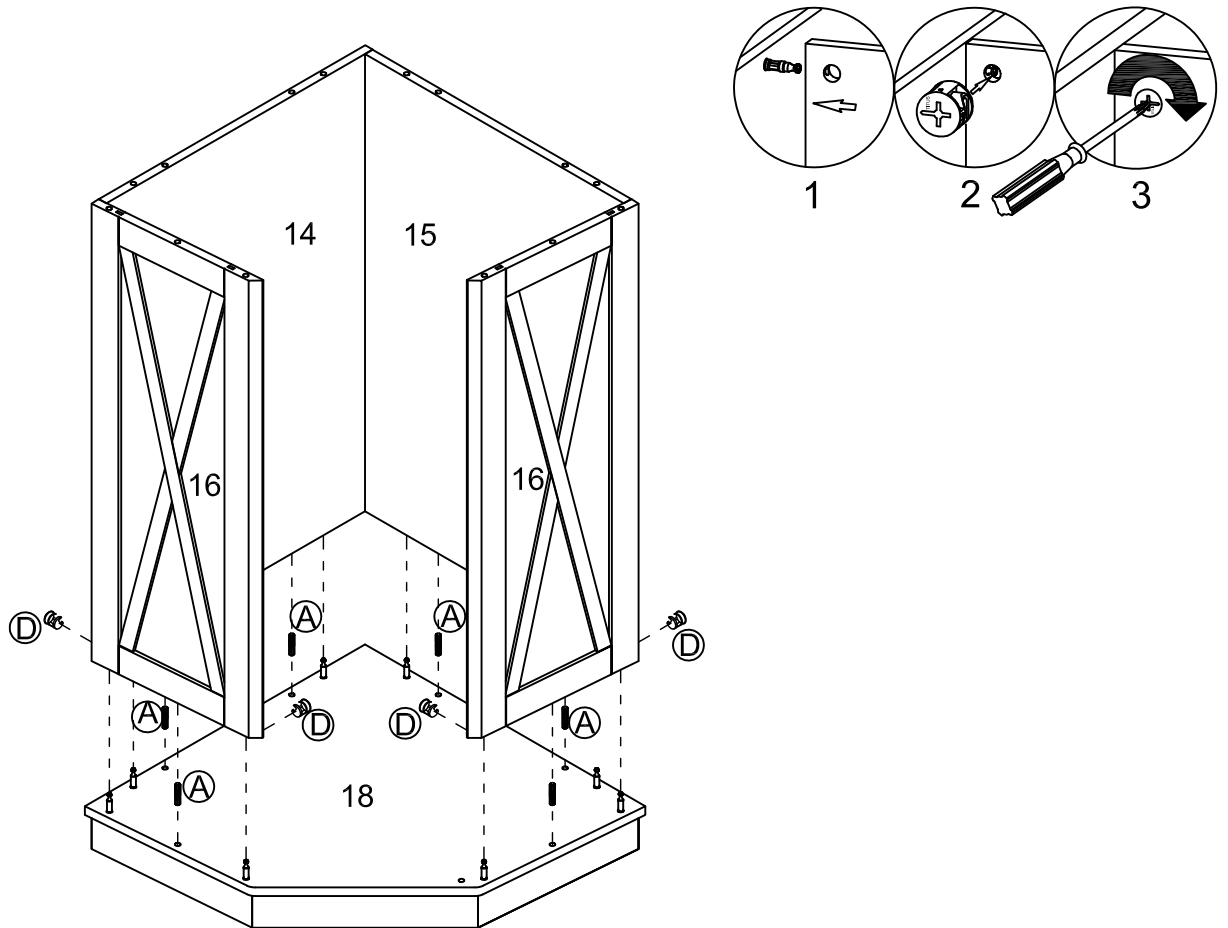
Step 6



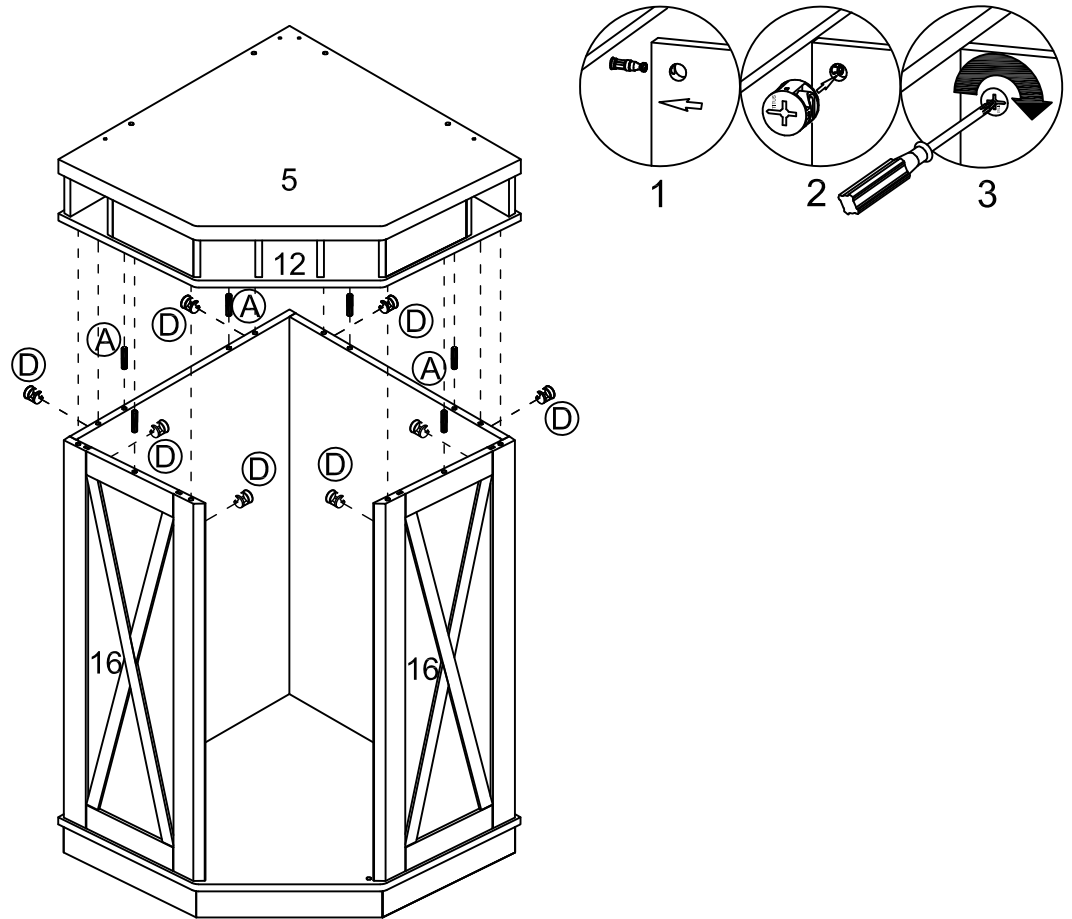
Step 7



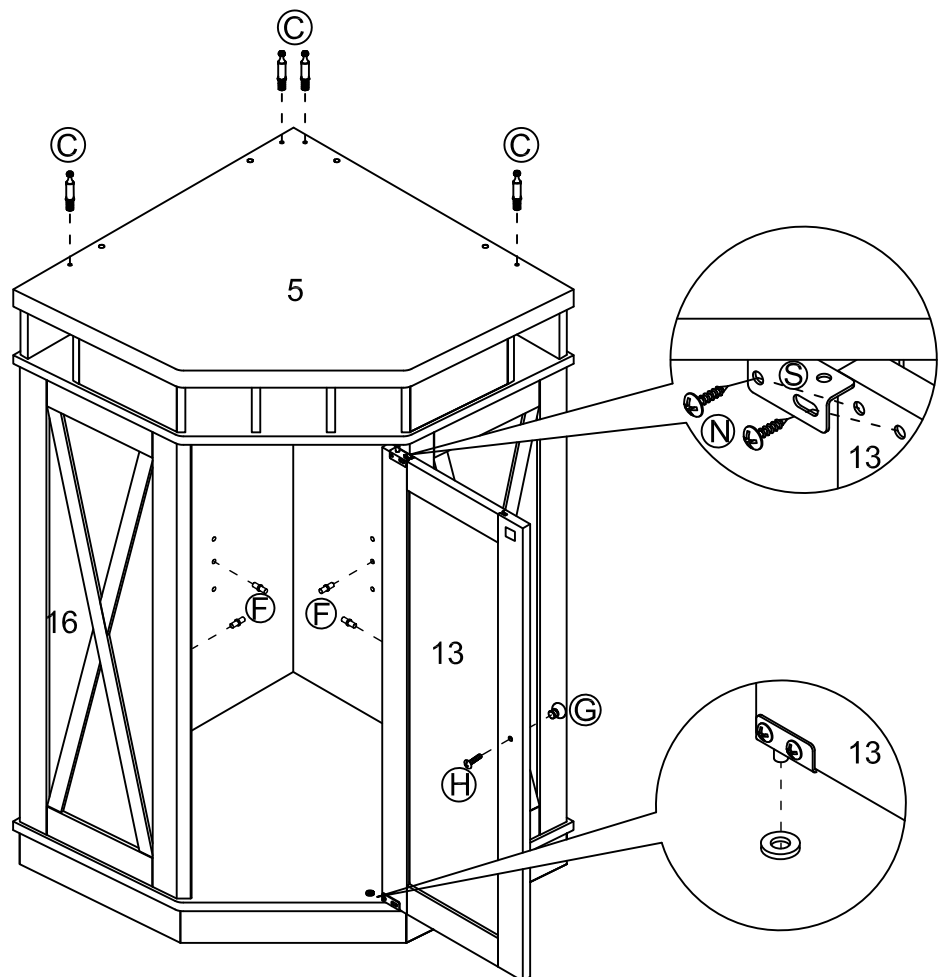
Step 8



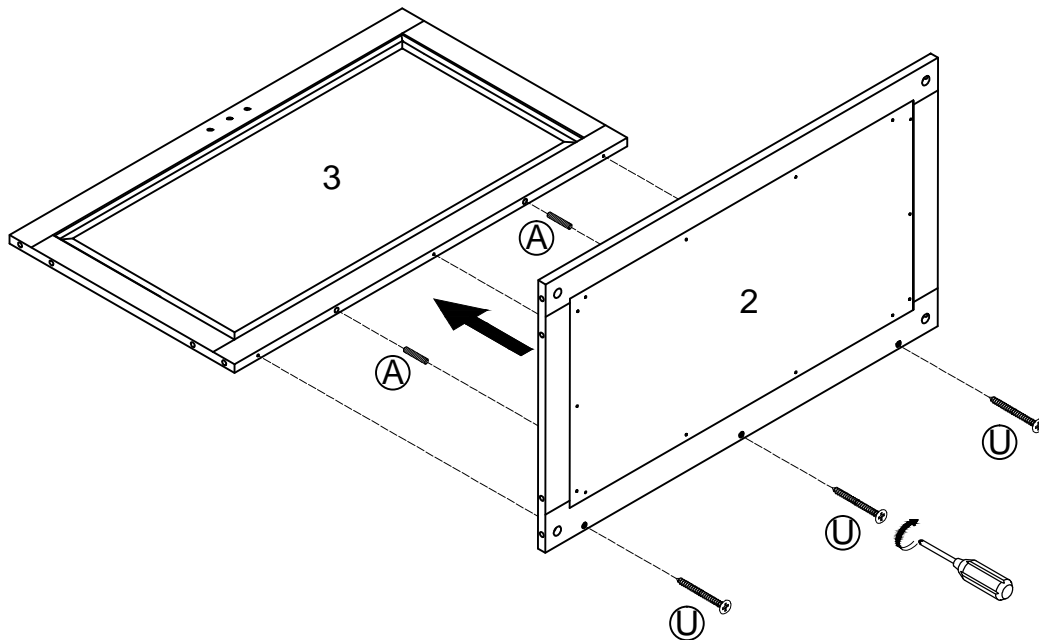
Step 9



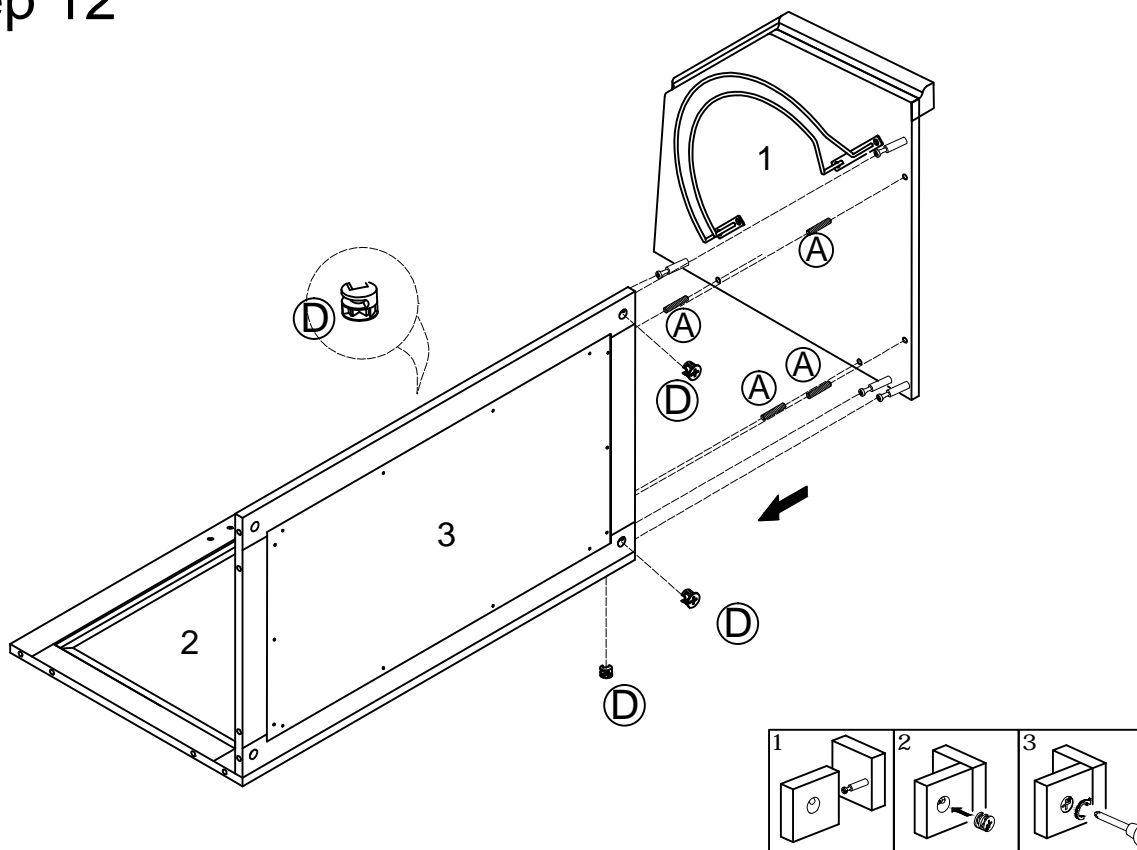
Step 10



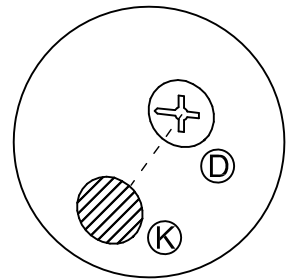
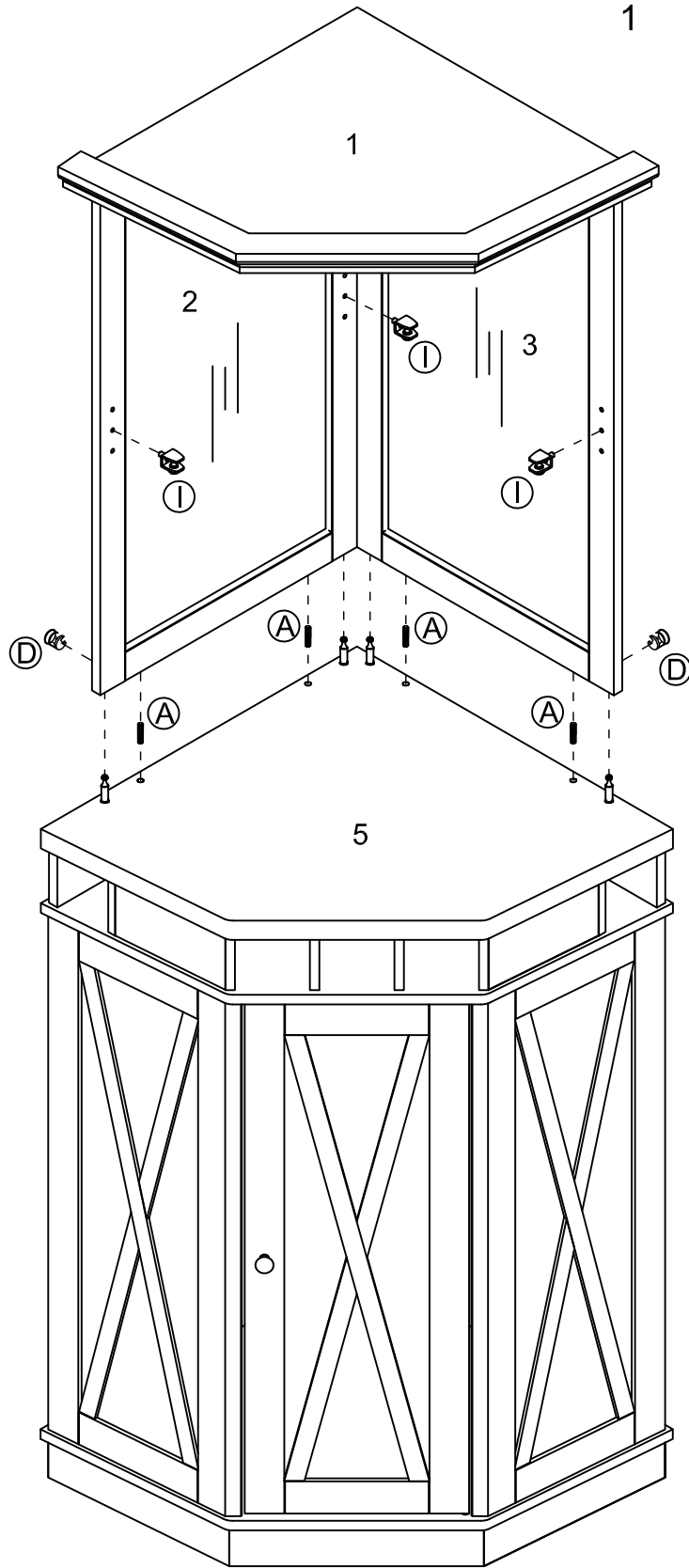
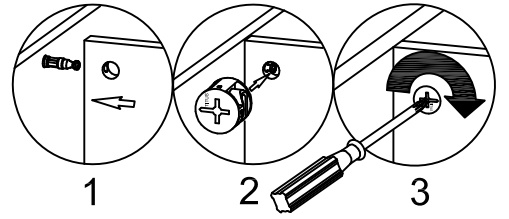
Step 11



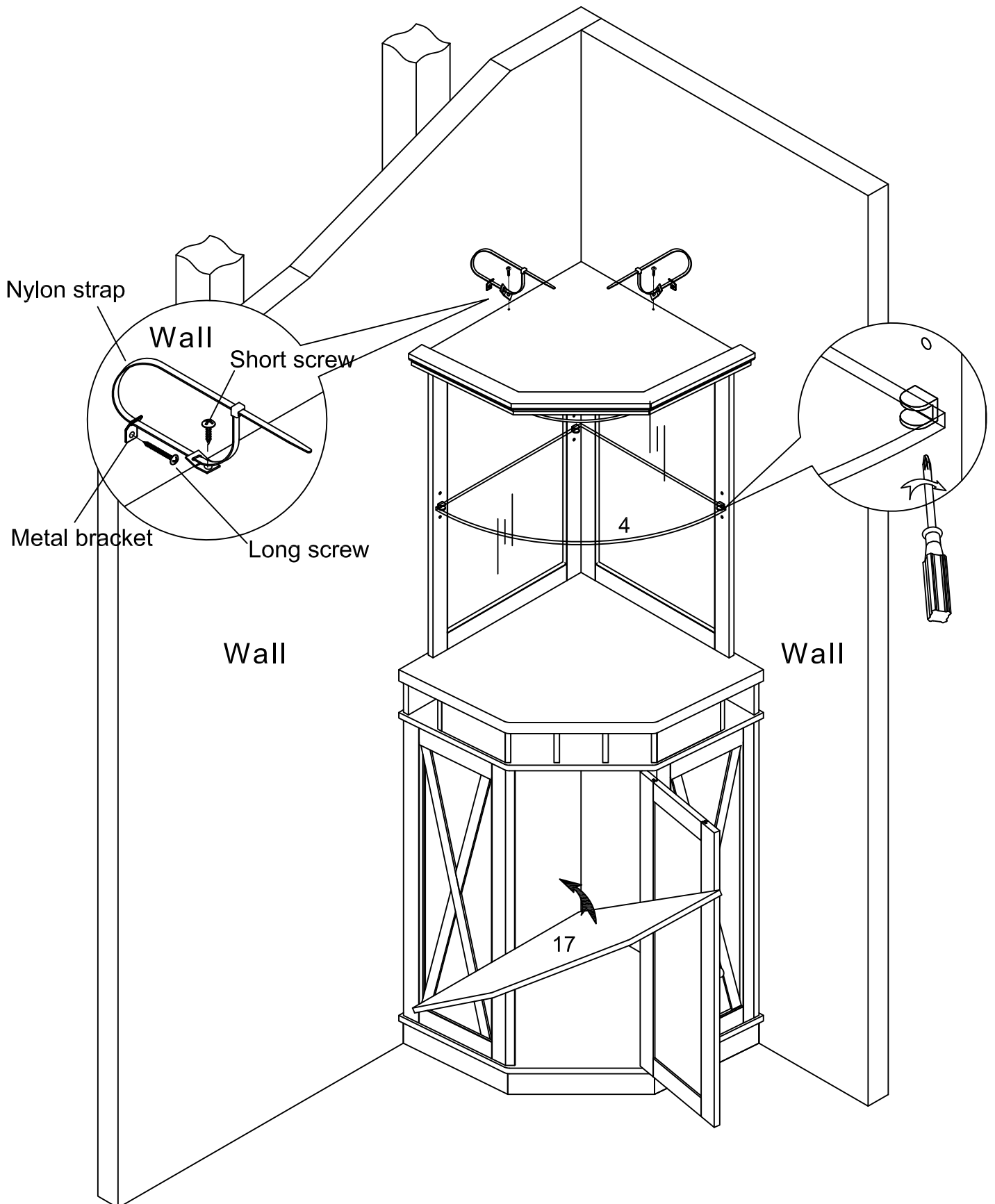
Step 12



Step 13



Step 14



WARNING: ALL SCREWS MUST BE TIGHTENED!