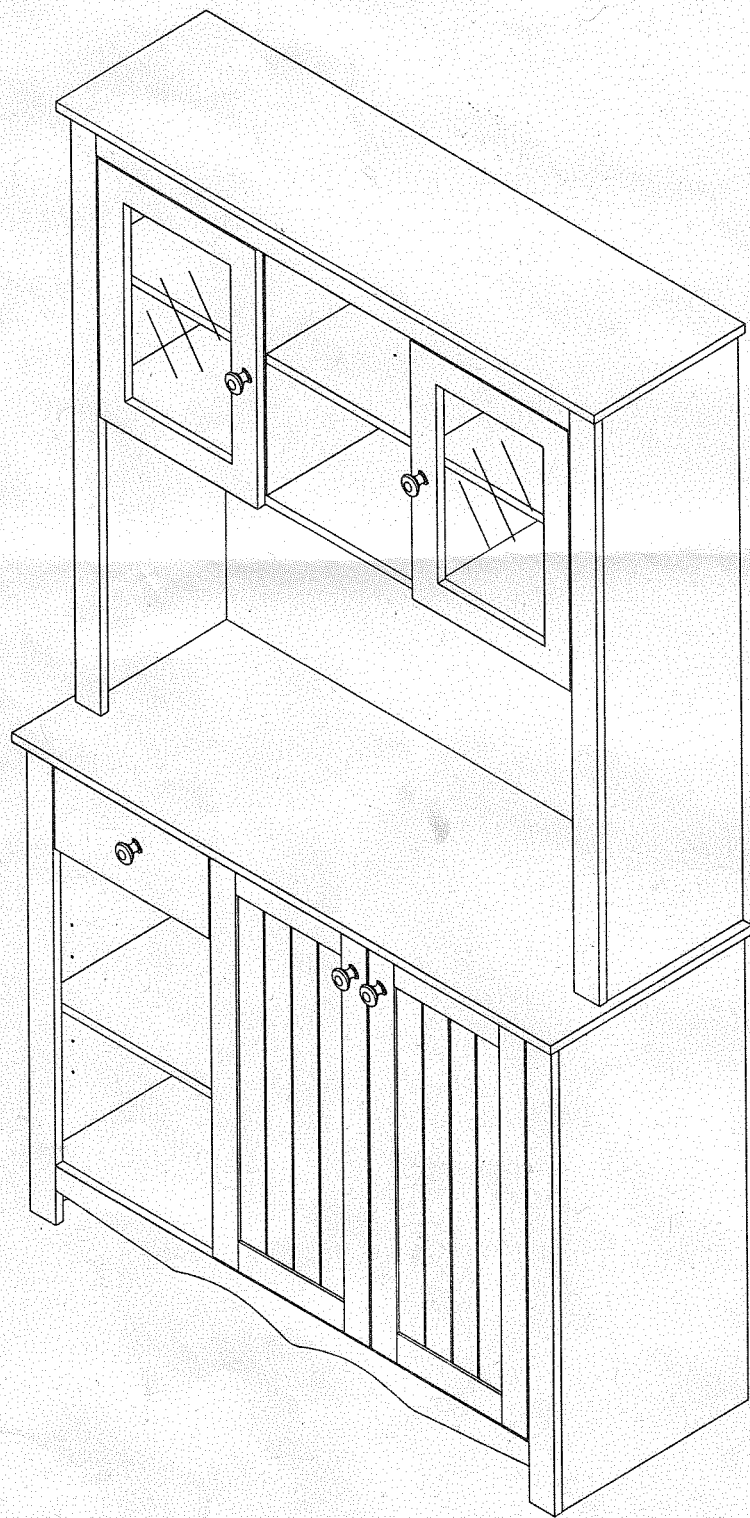


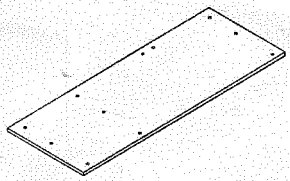
ASSEMBLY INSTRUCTIONS



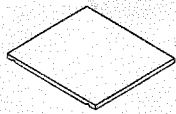
Ojo
2 especificaciones
Diferentes

Oak Hills China Cabinet

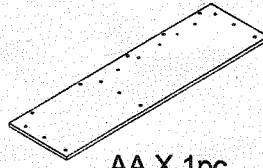
PARTS IDENTIFICATION



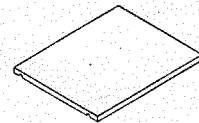
A X 1pc



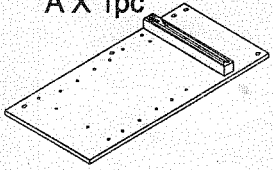
K X 1pc



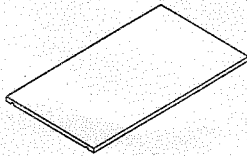
AA X 1pc



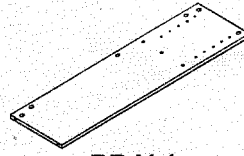
KK X 2pcs



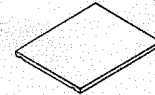
B X 1pc



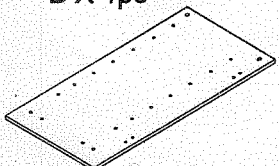
L X 1pc



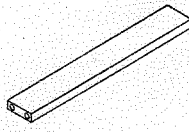
BB X 1pc



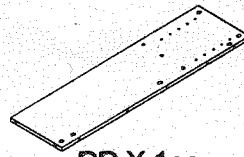
LL X 1pc



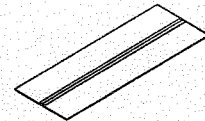
C X 1pc



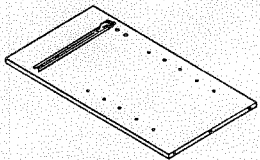
M X 1pc



CC X 1pc



MM X 1pc



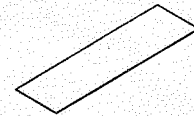
D X 1pc



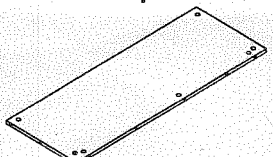
N X 1pc



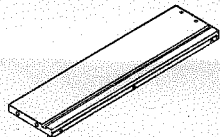
DD X 1pc



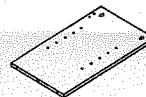
NN X 1pc



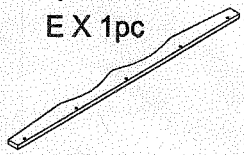
E X 1pc



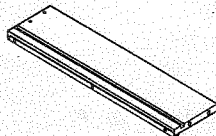
O X 1pc



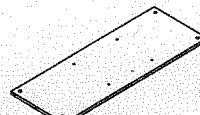
EE X 1pc



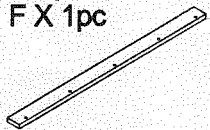
F X 1pc



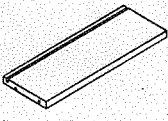
P X 1pc



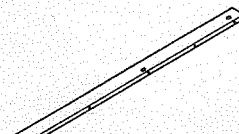
FF X 1pc



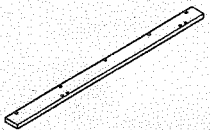
G X 1pc



Q X 1pc



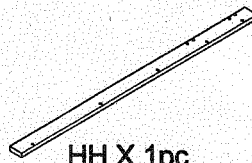
GG X 1pc



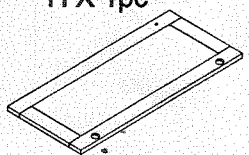
H X 1pc



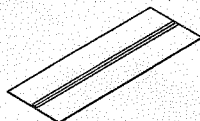
R X 1pc



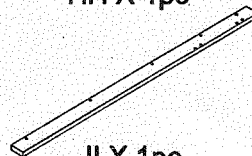
HH X 1pc



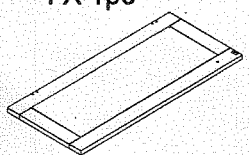
I X 1pc



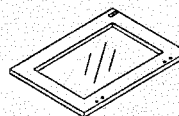
S X 1pc



II X 1pc

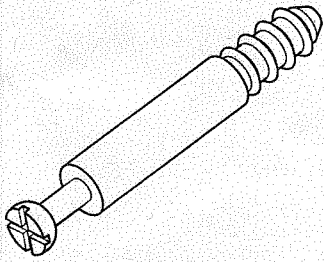


J X 1pc

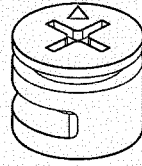


JJ X 2pcs

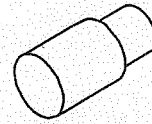
HARDWARE LIST



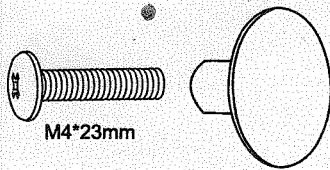
01 x 46pcs



02 x 46pcs

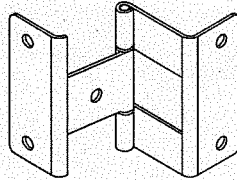


03 x 20pcs

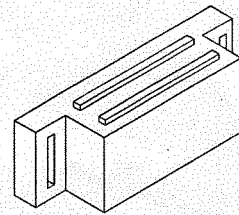


M4*23mm

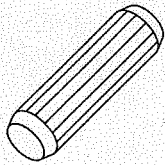
04 x 5sets



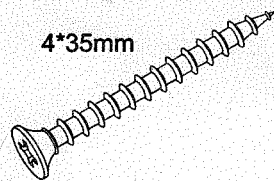
05 x 6pcs



06 x 3pcs



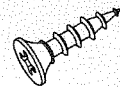
07 x 32pcs



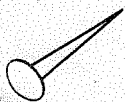
4*35mm

08 x 10pcs

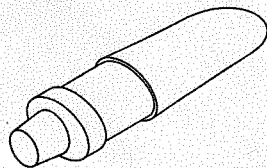
4*14mm



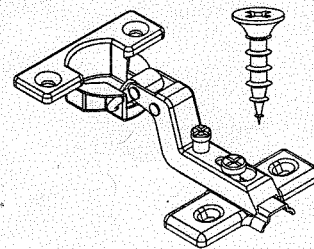
09 x 30pcs



10 x 55pcs

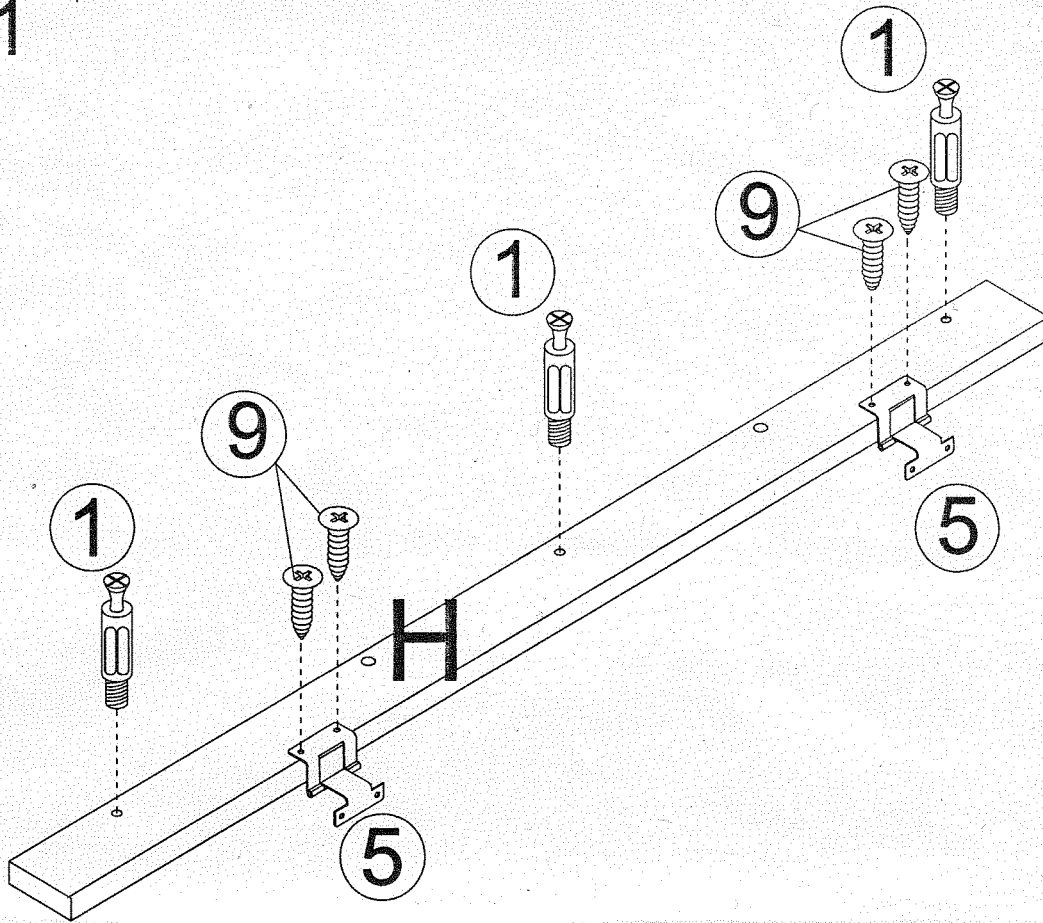


11 x 1pc

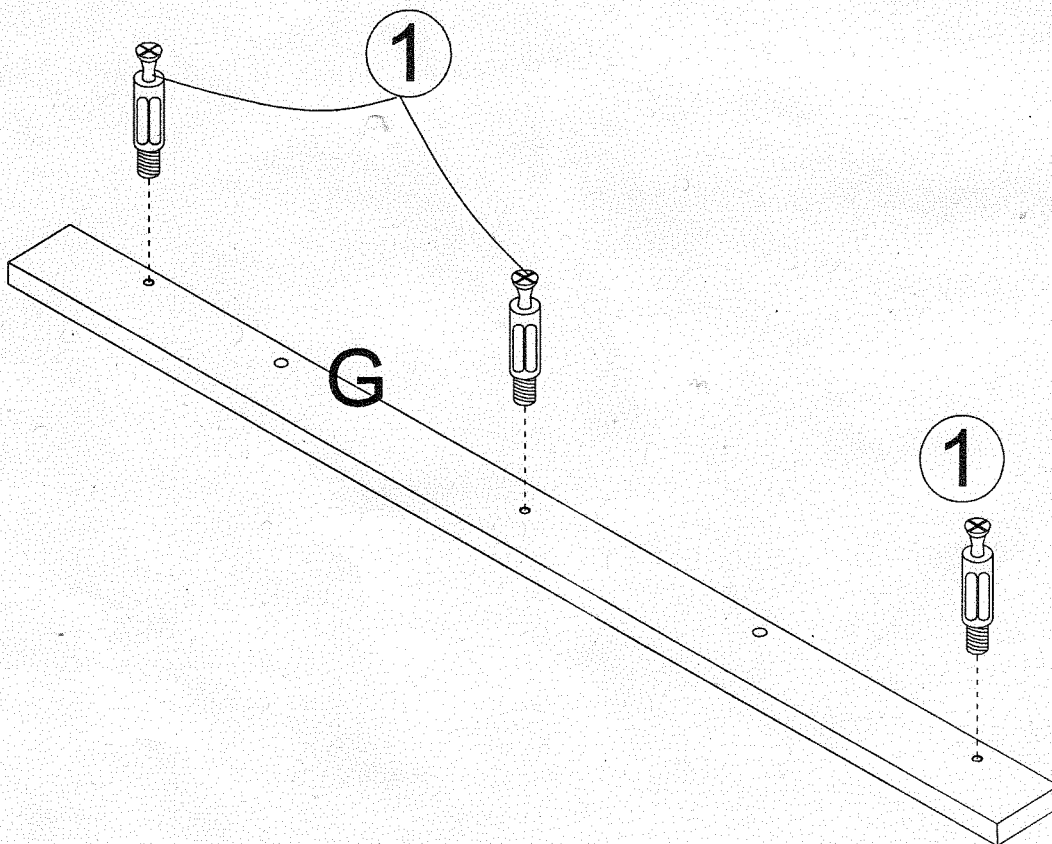


12 x 2sets

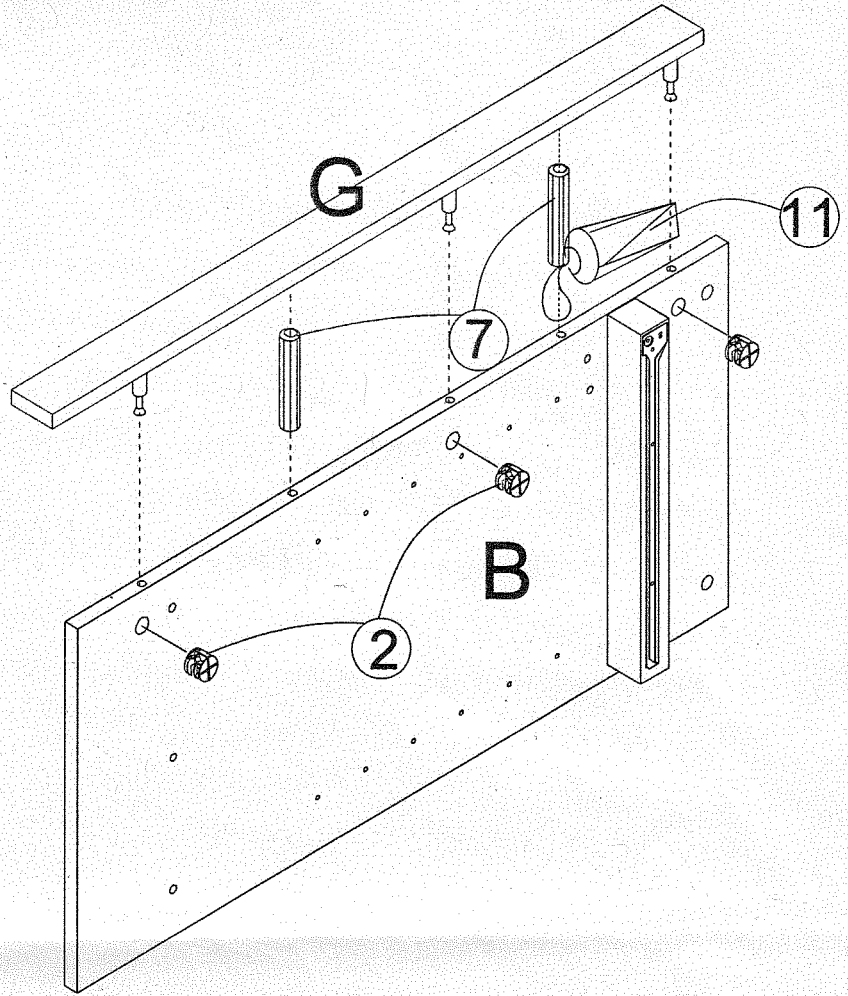
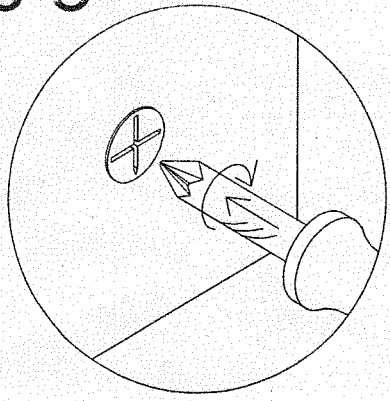
Step 1



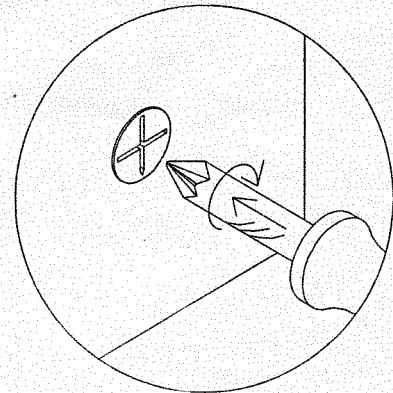
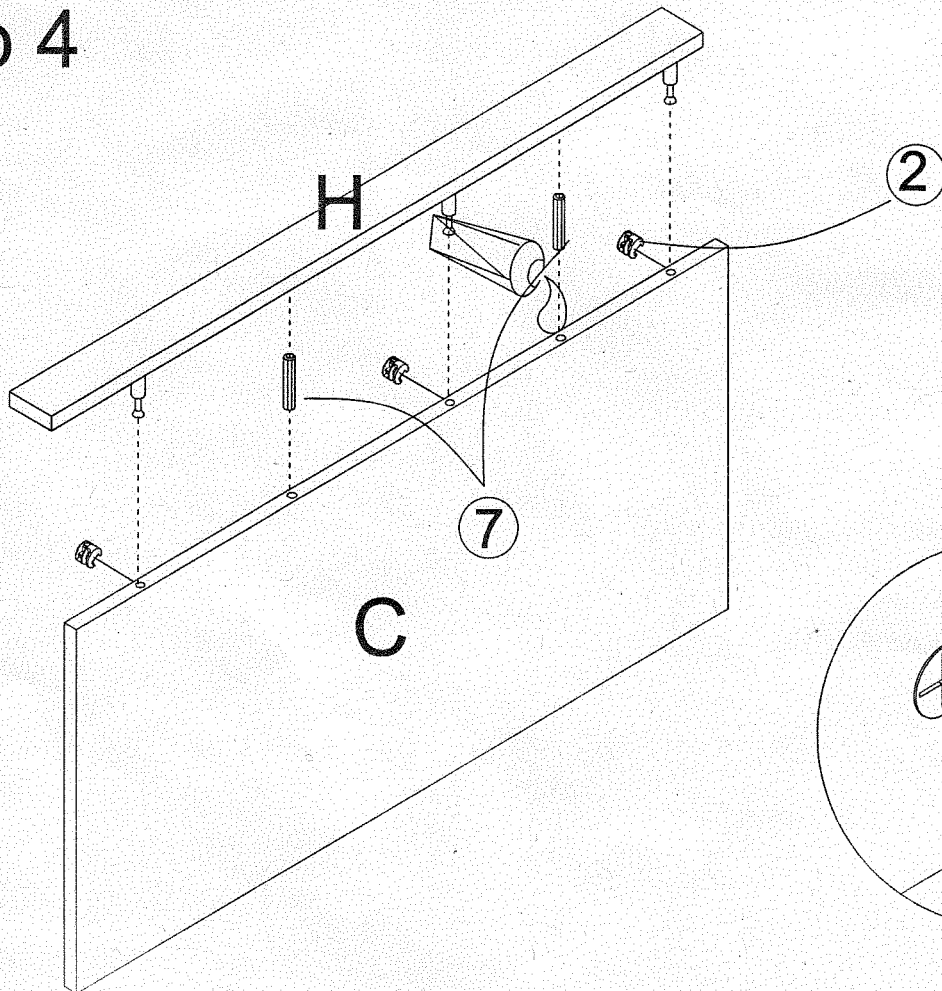
Step 2



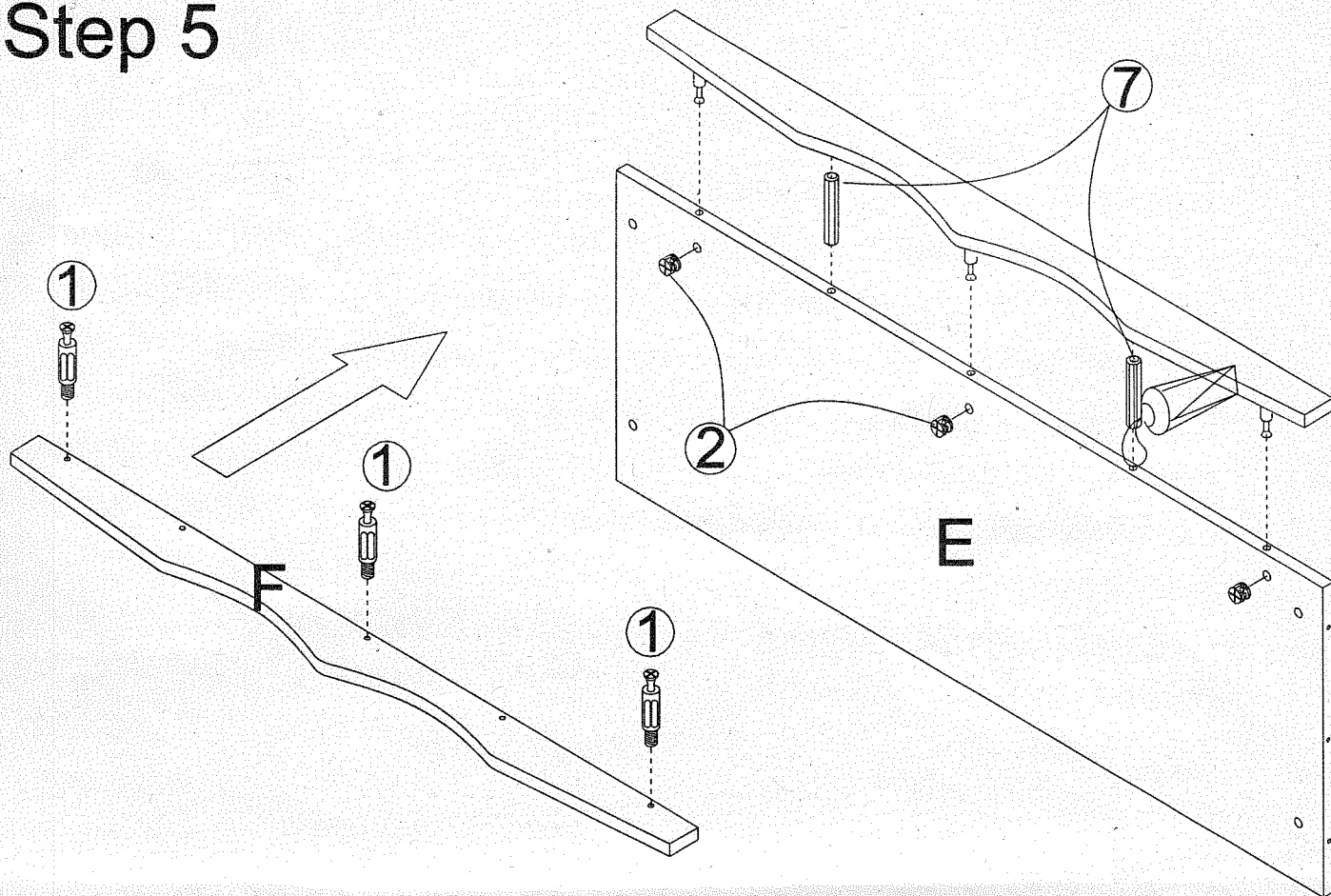
Step 3



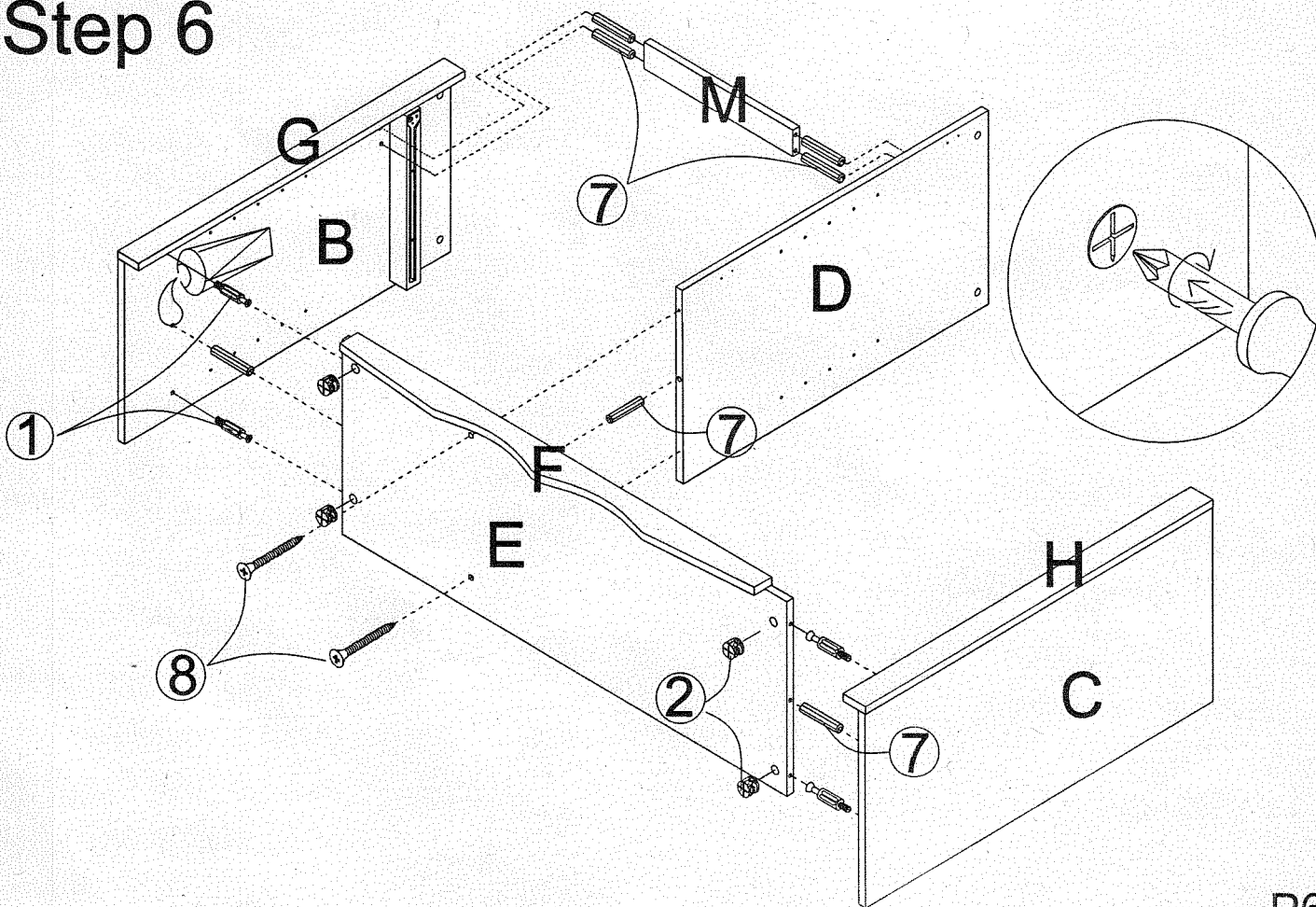
Step 4



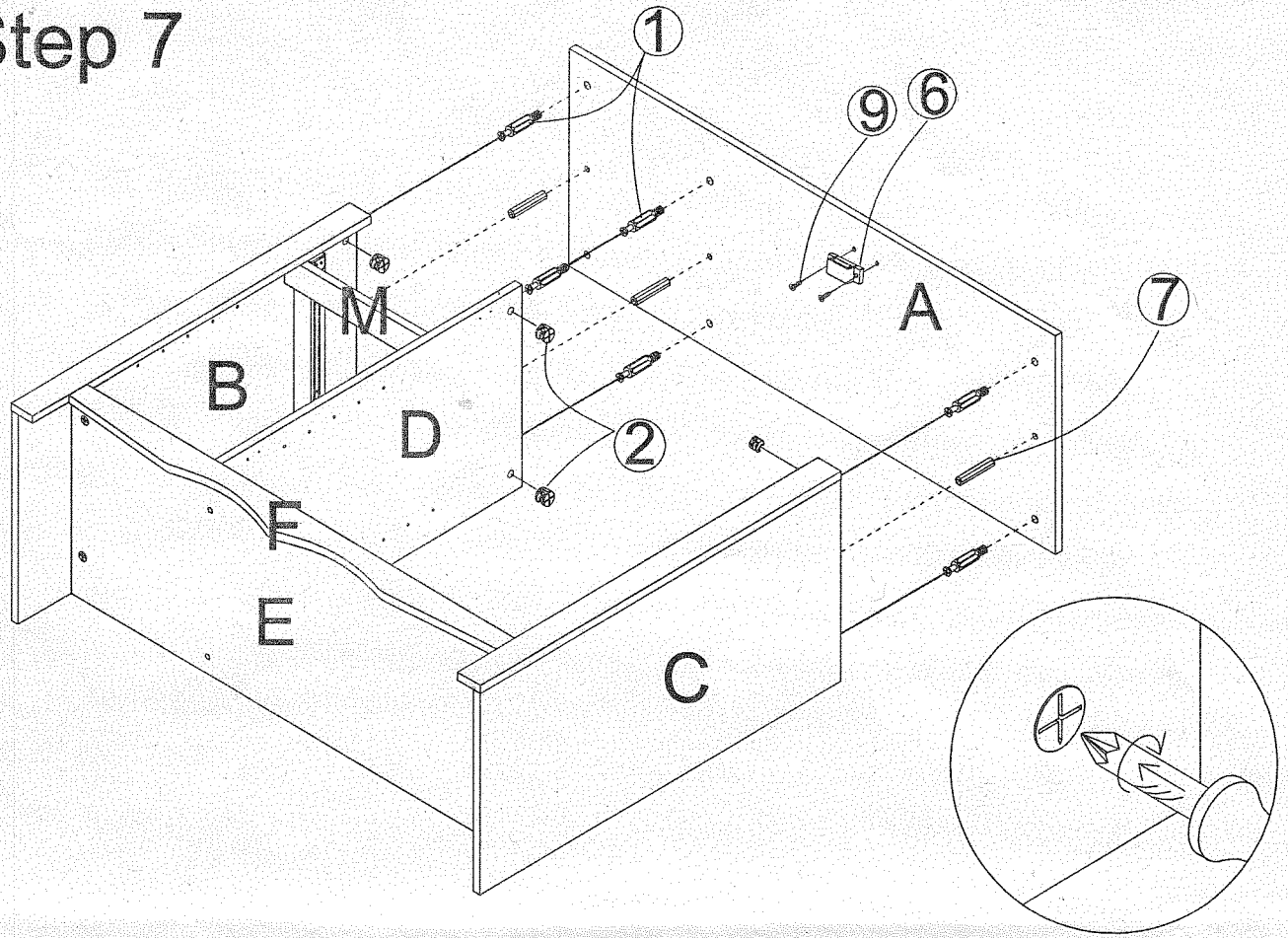
Step 5



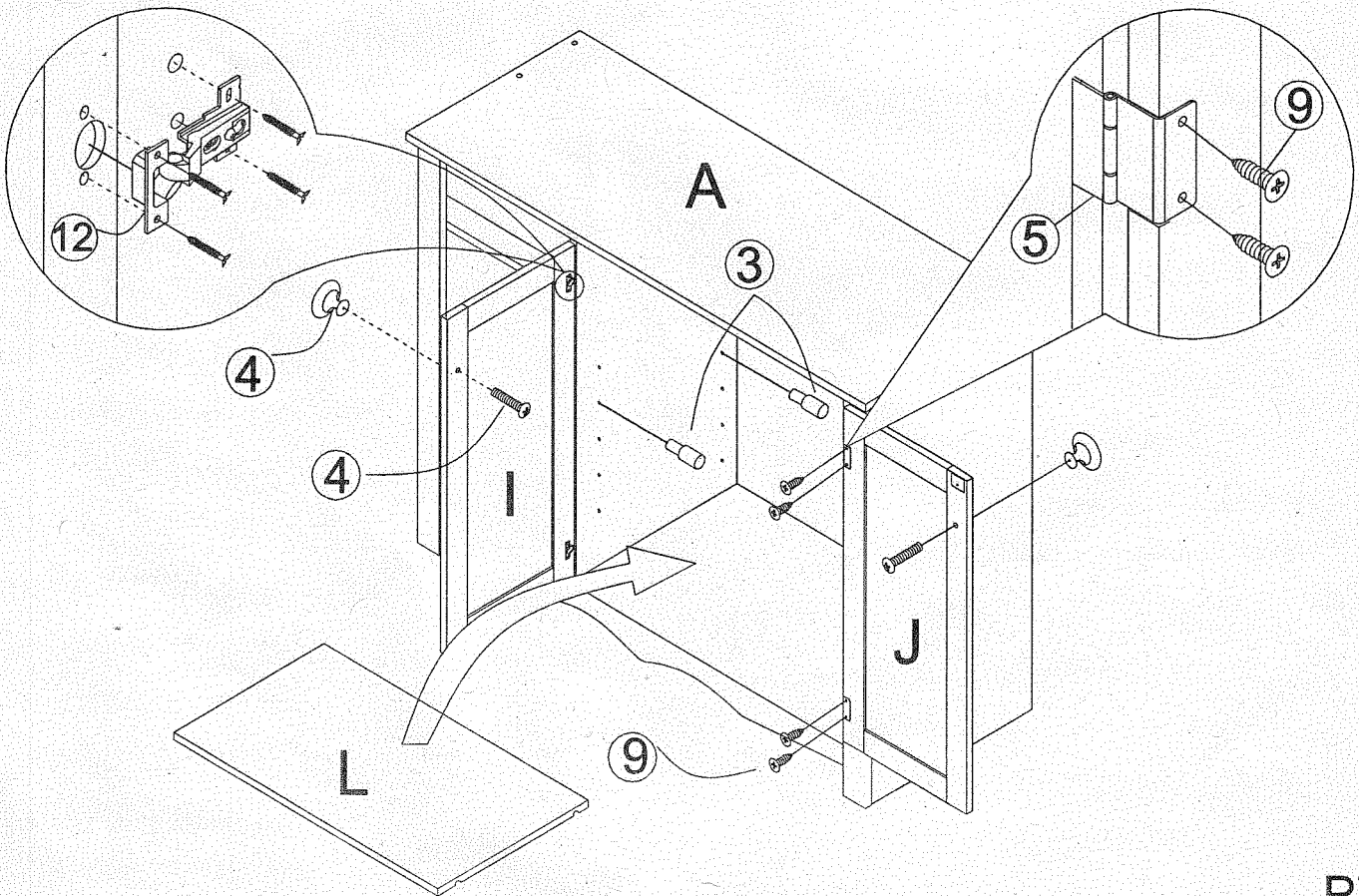
Step 6



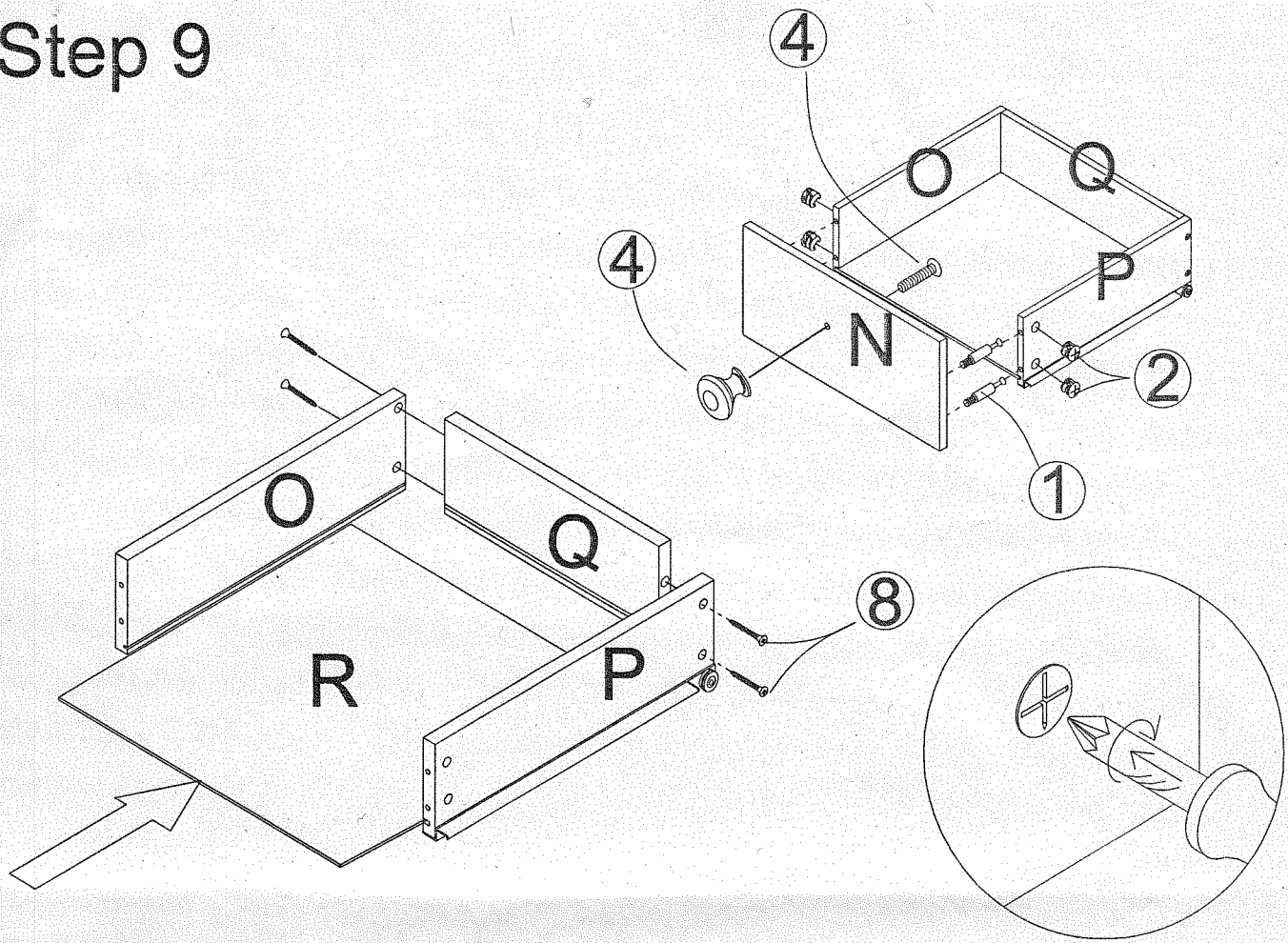
Step 7



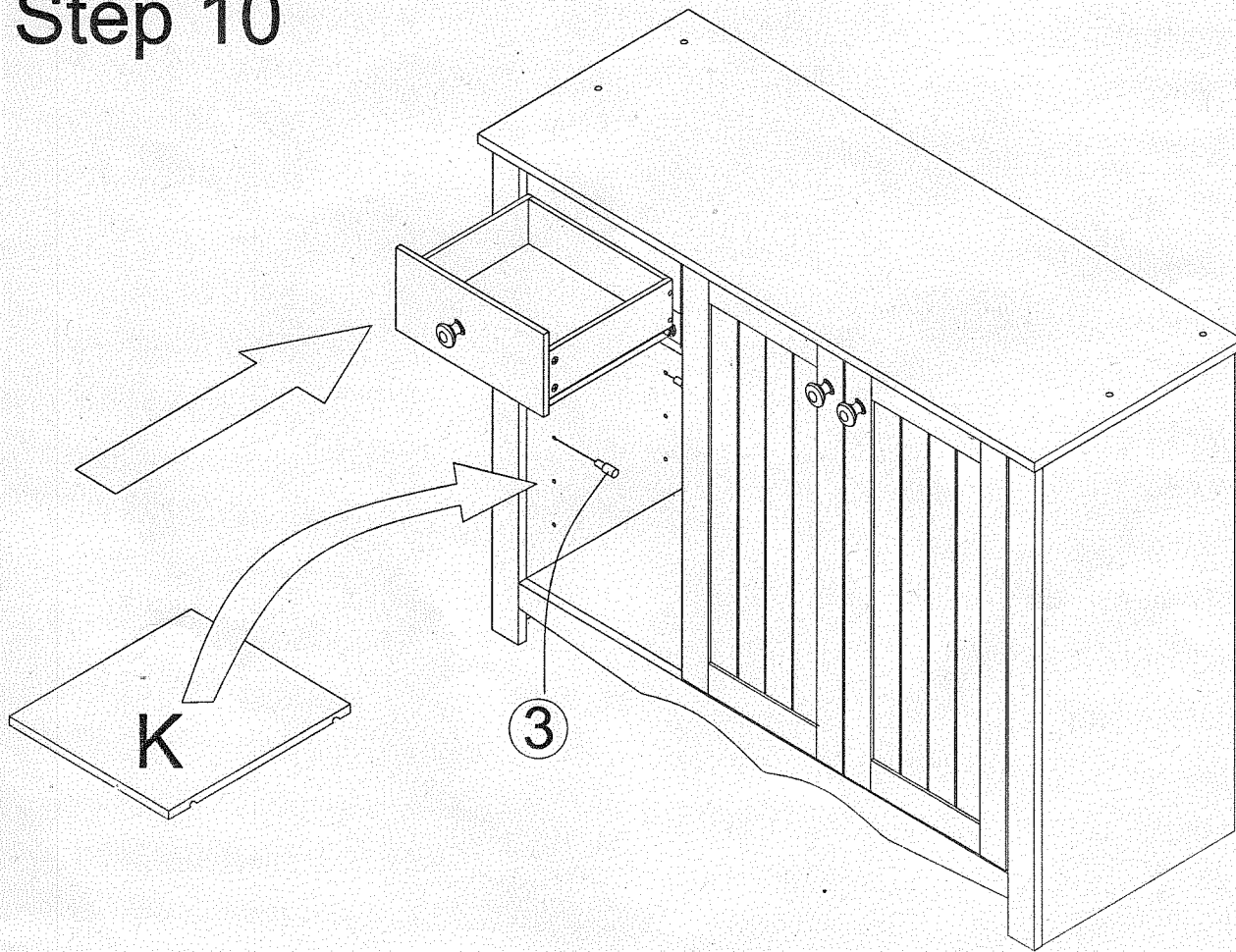
Step 8



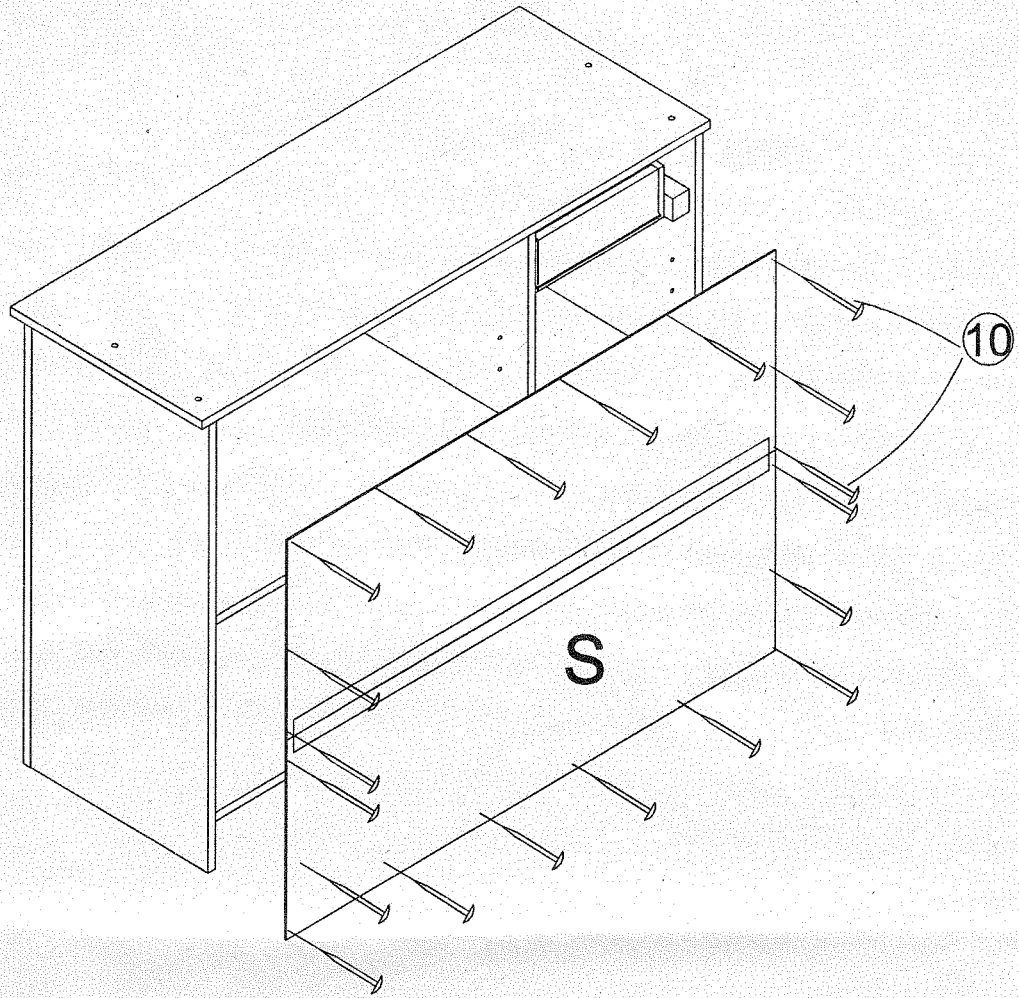
Step 9



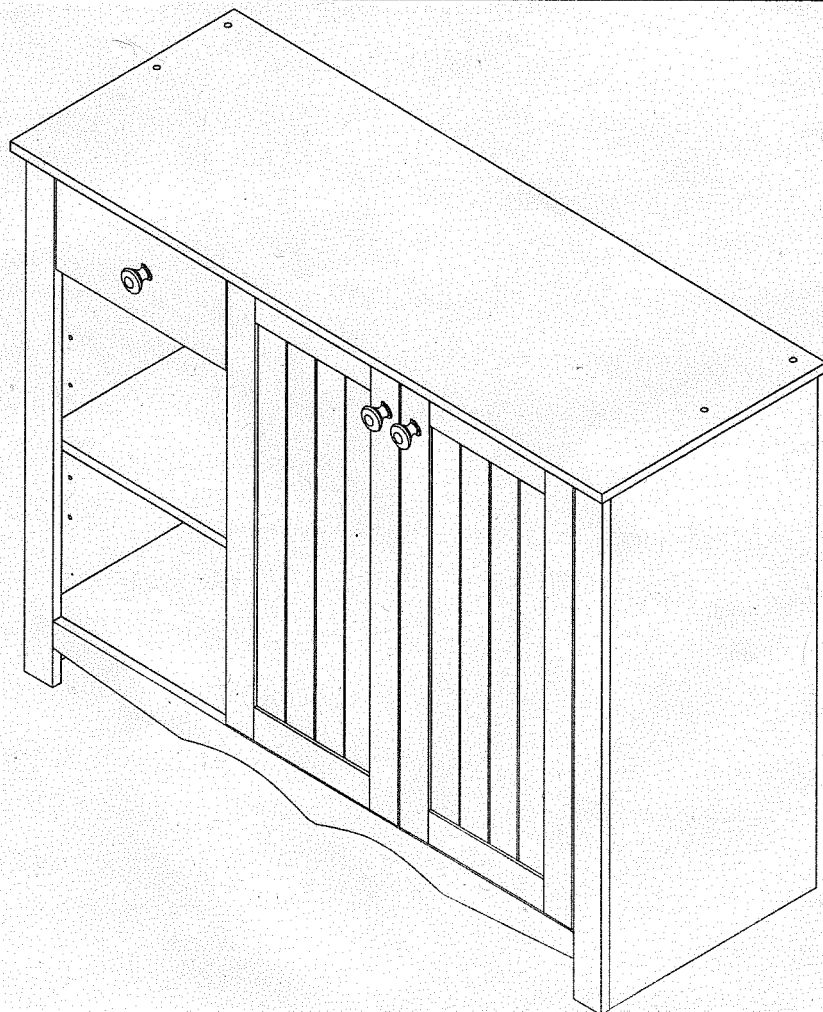
Step 10



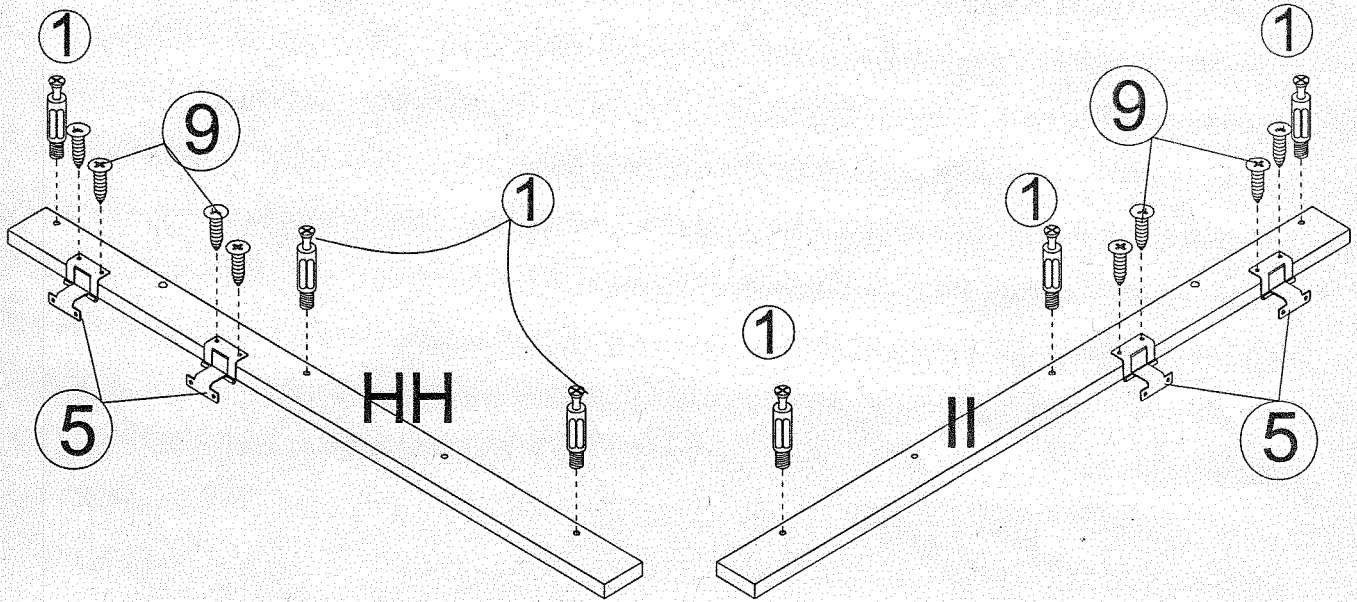
Step 11



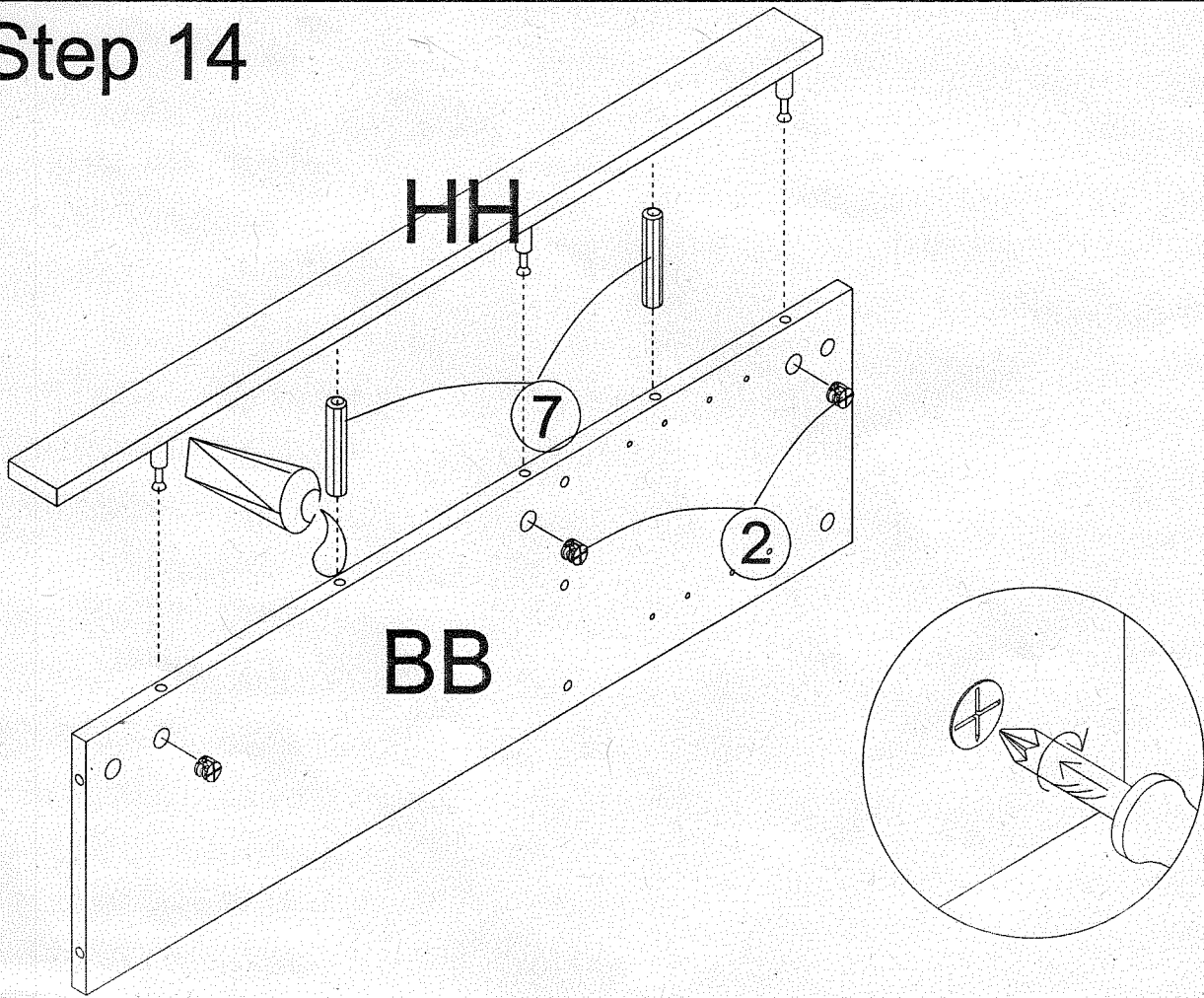
Step 12



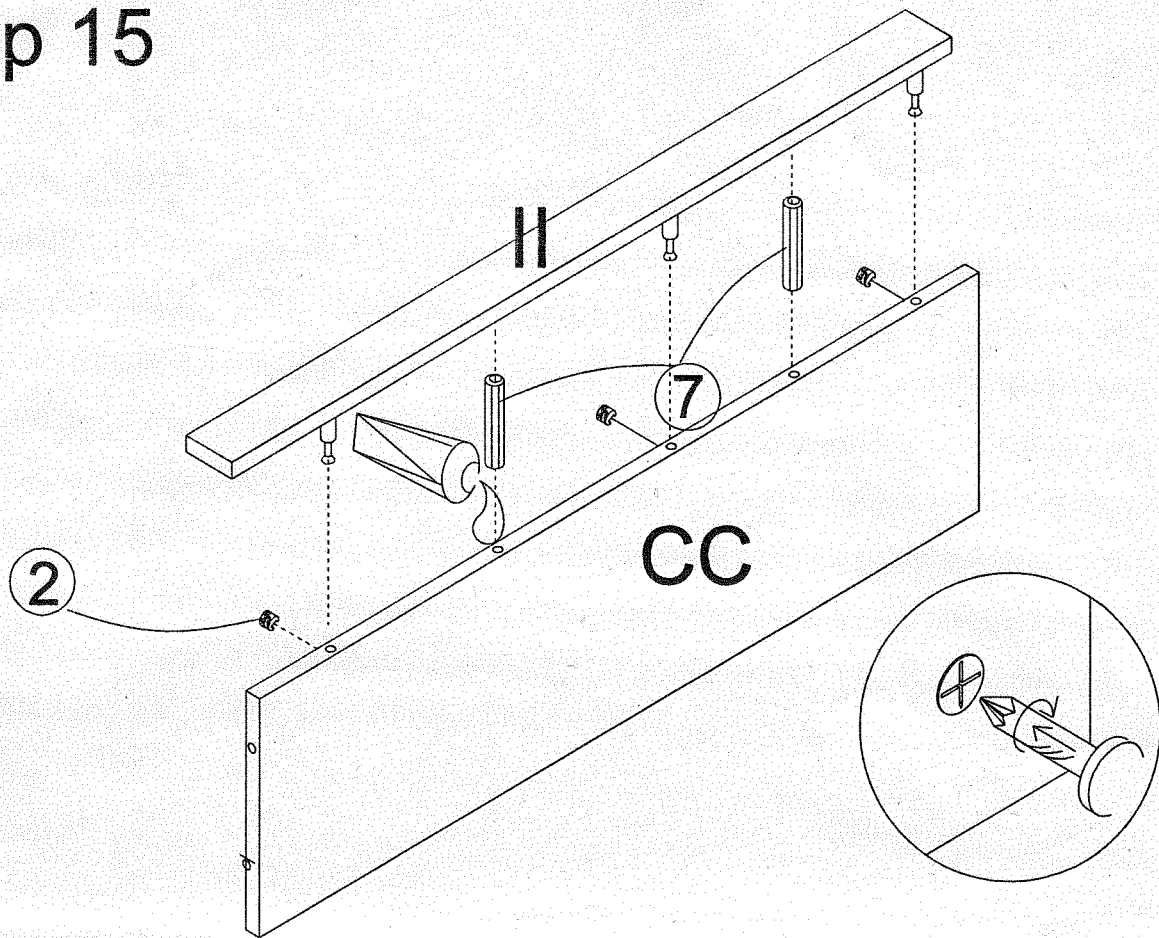
Step 13



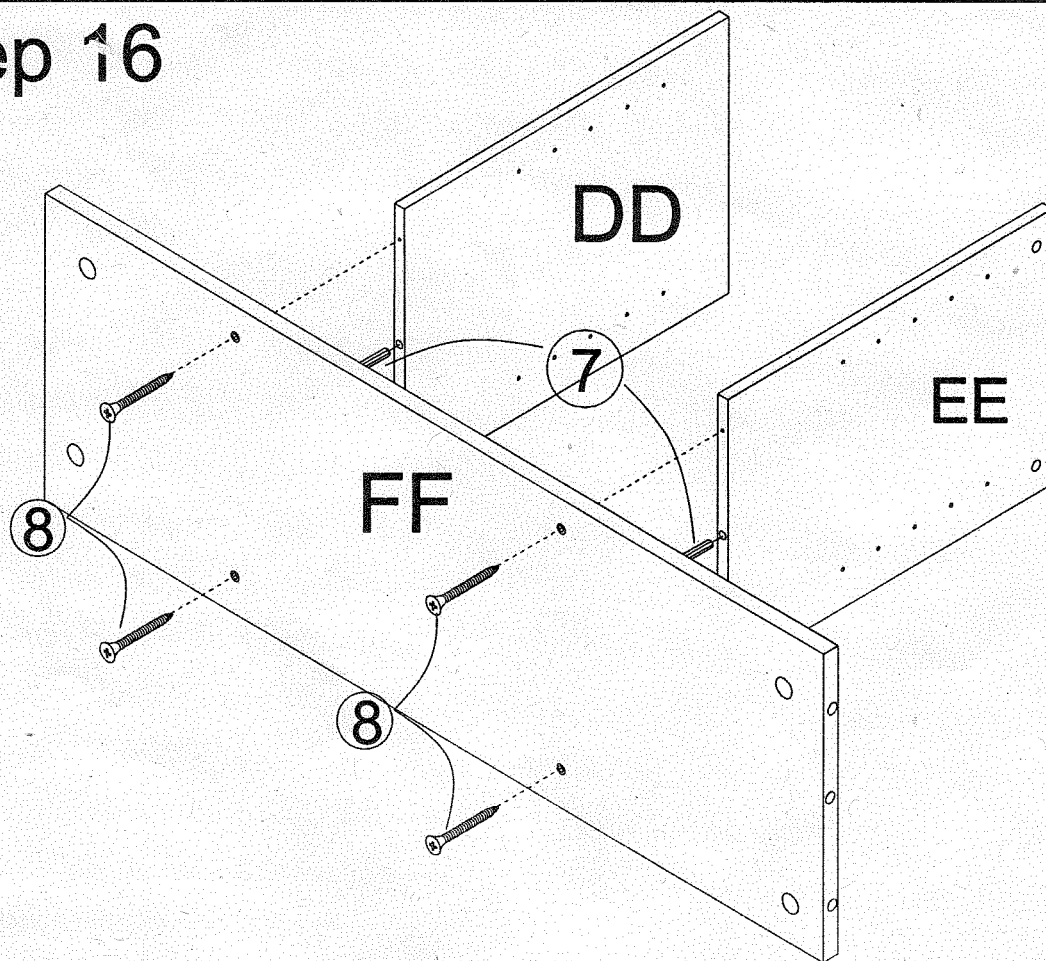
Step 14



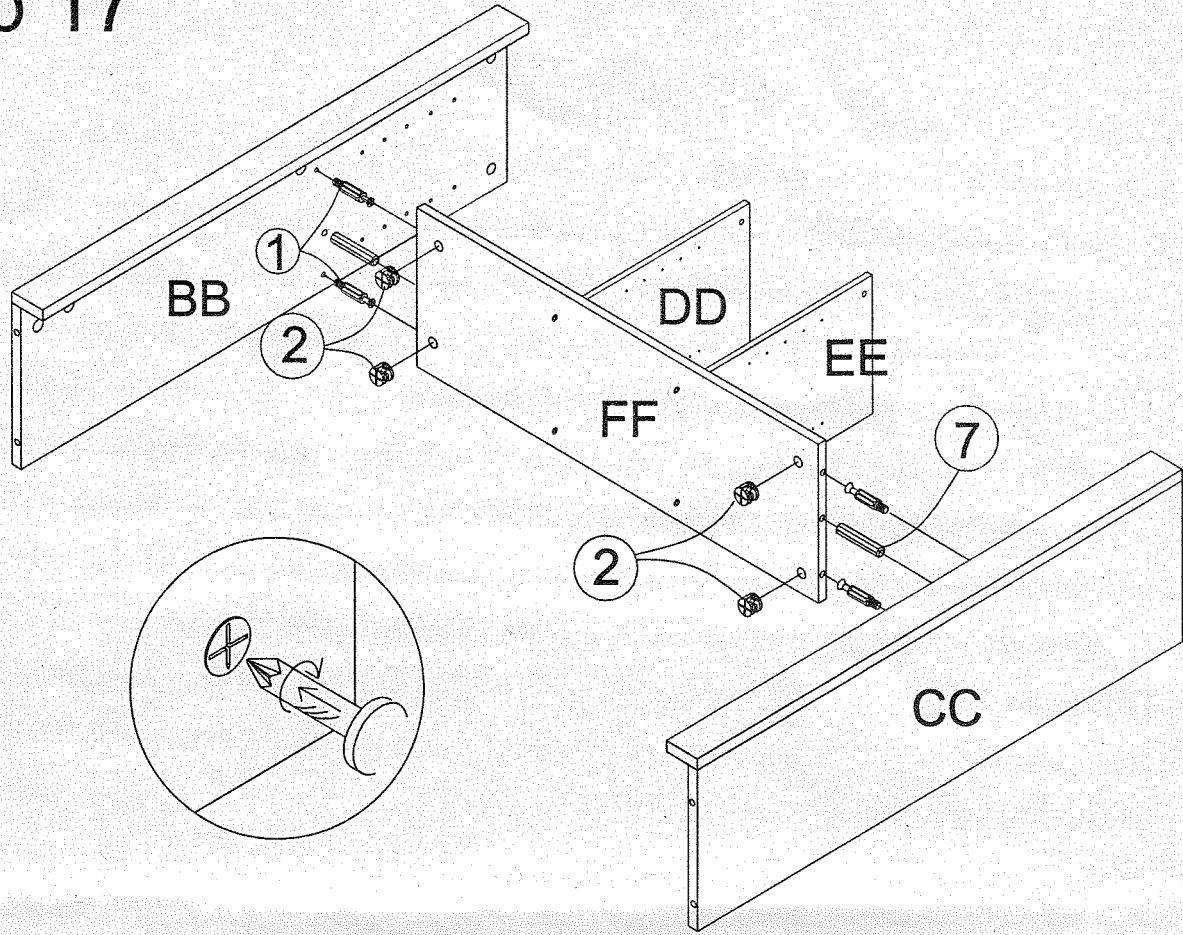
Step 15



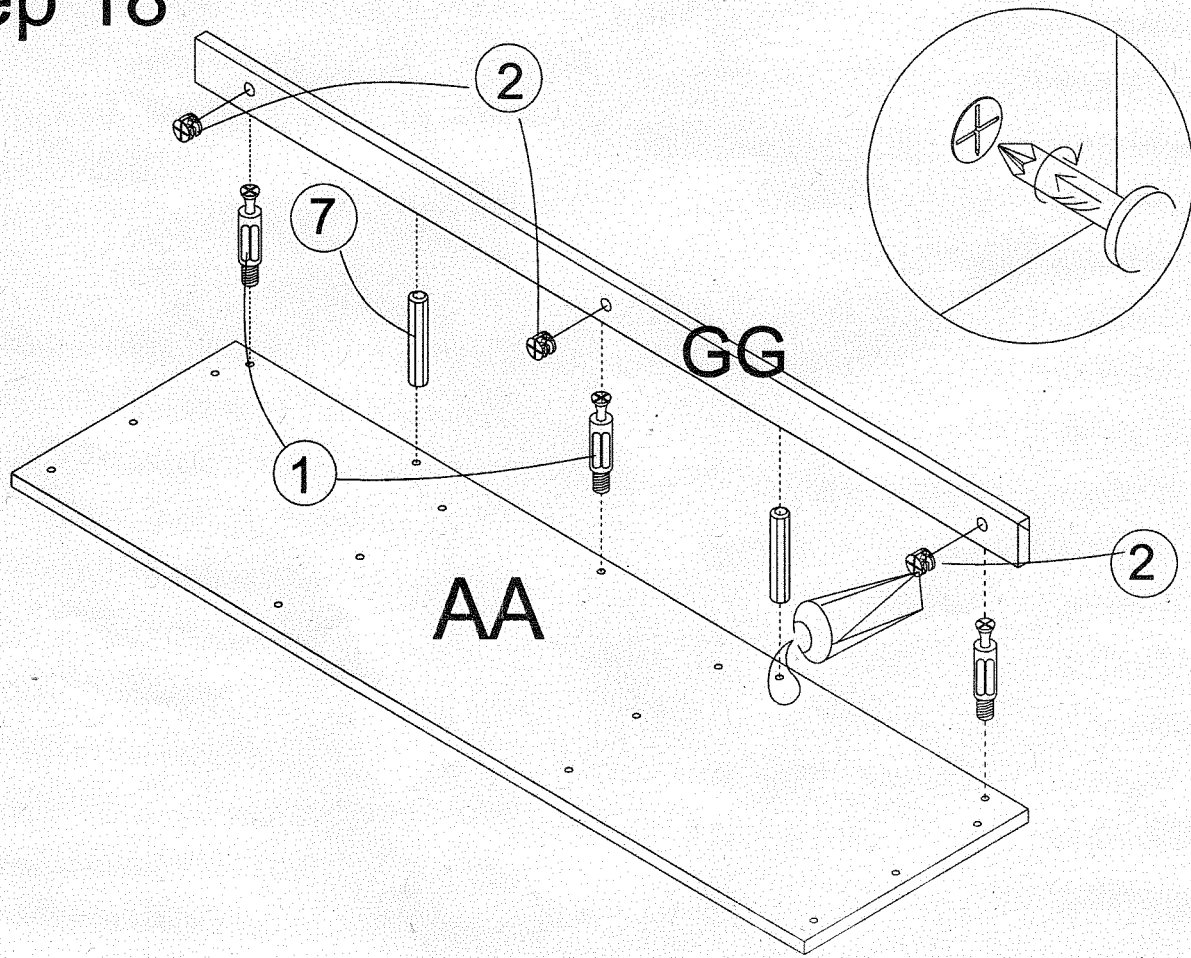
Step 16



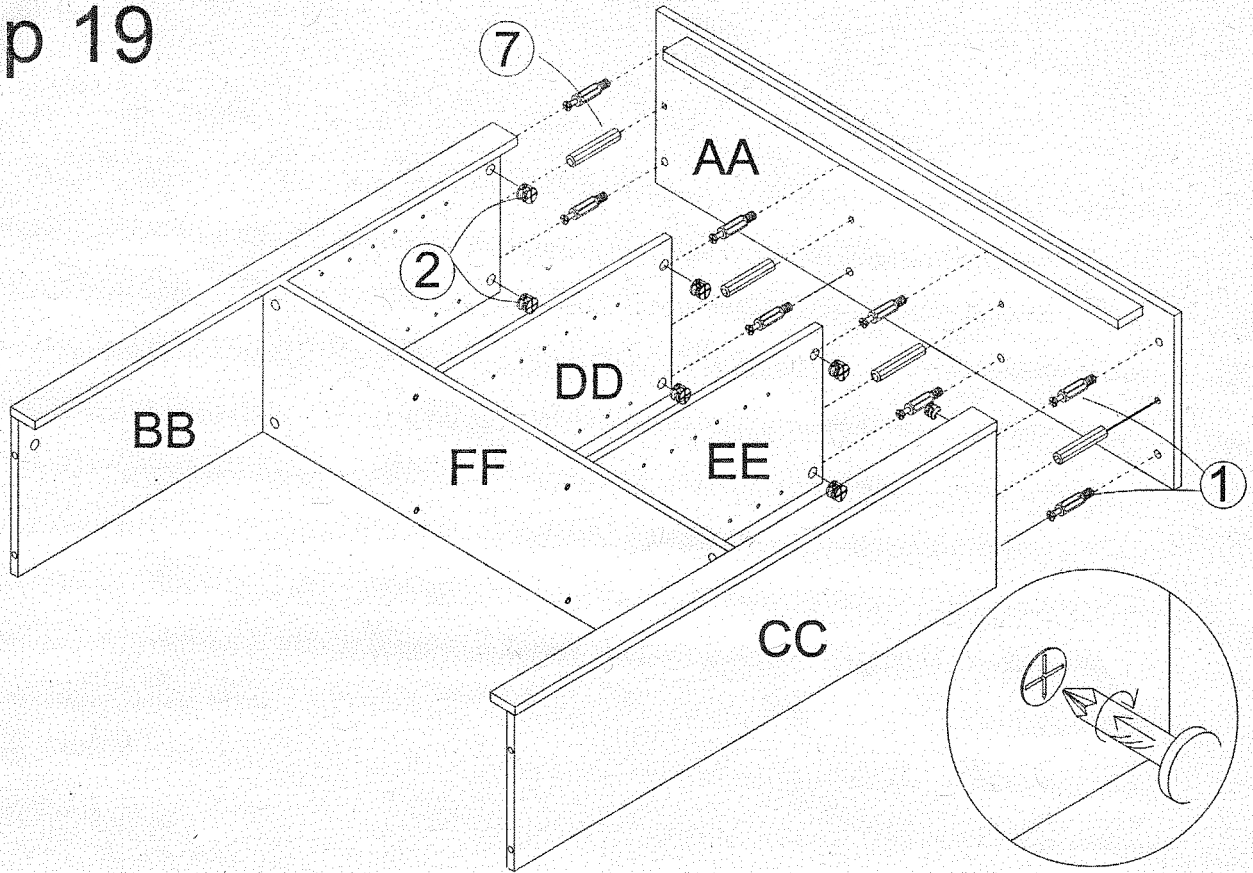
Step 17



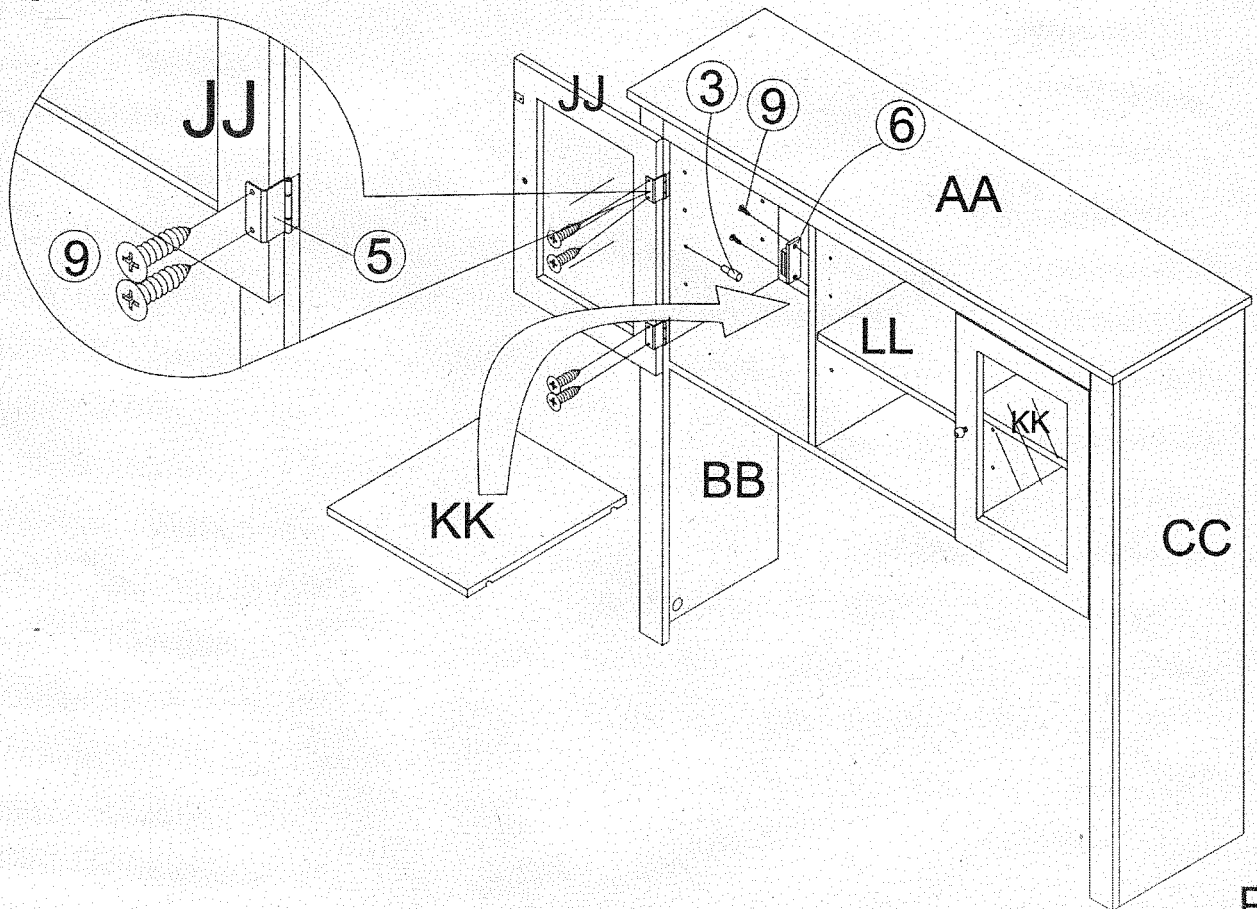
Step 18



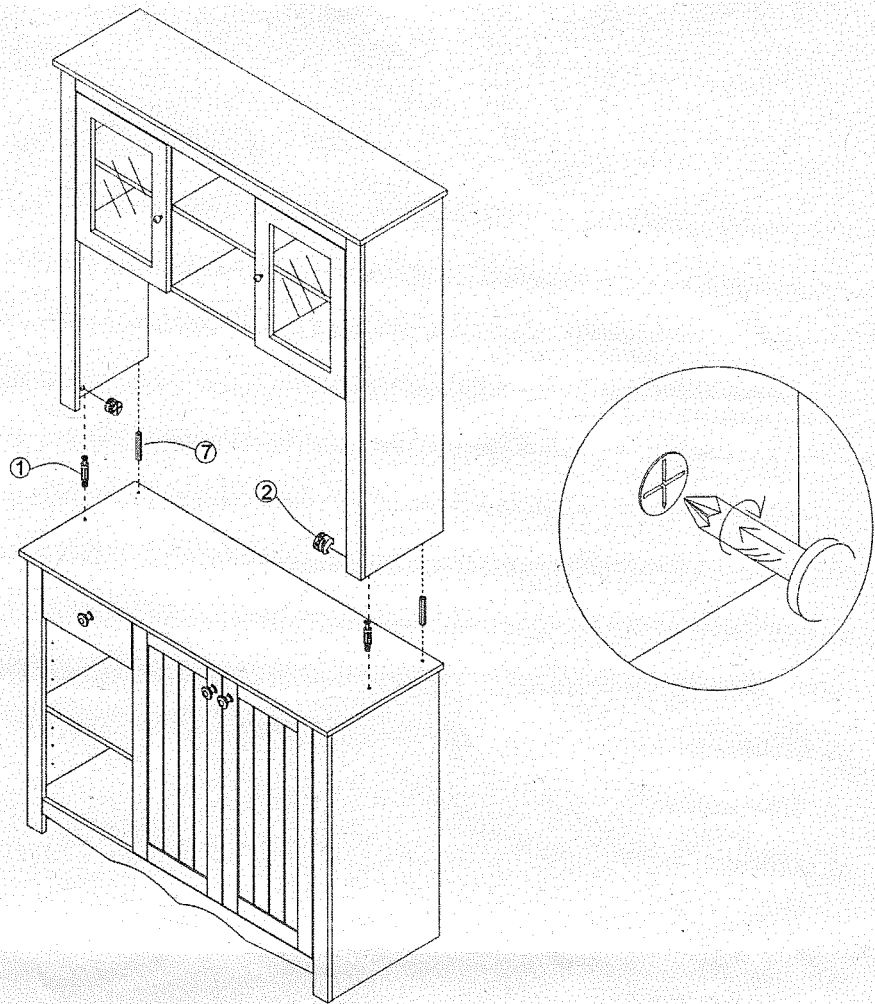
Step 19



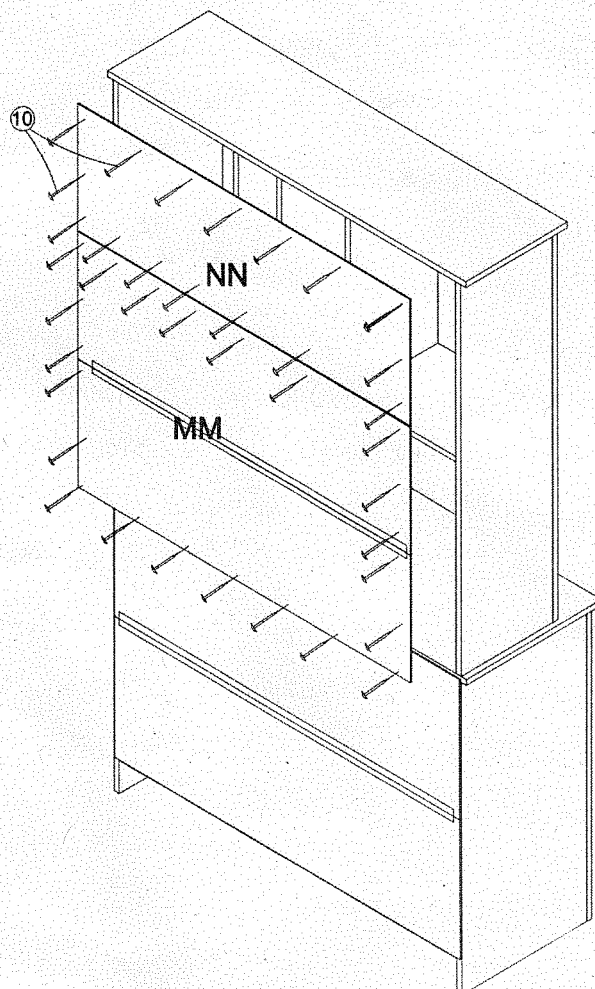
Step 20



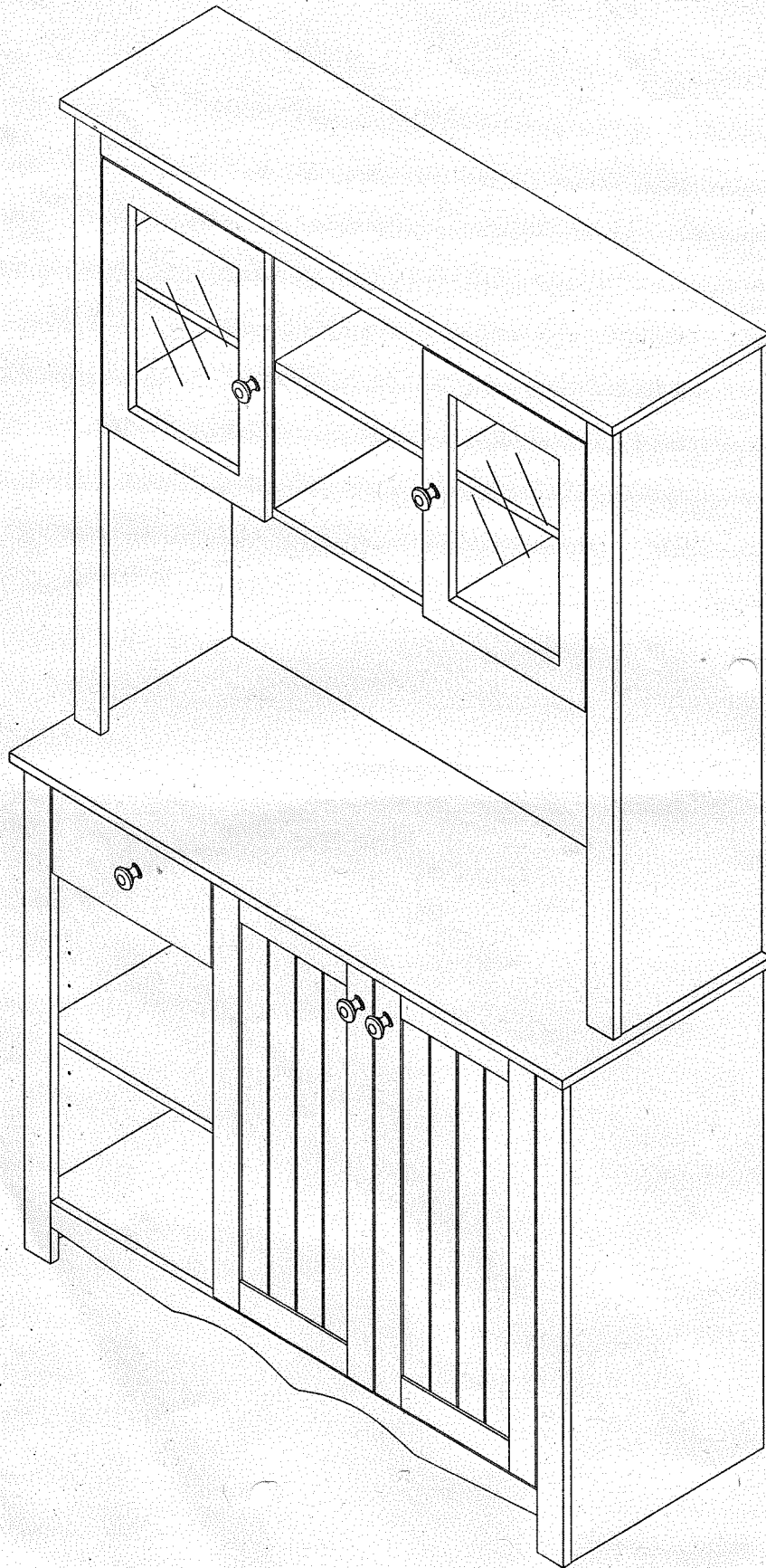
Step 21



Step 22



Step 23



WARNING: ALL SCREWS MUST BE TIGHTENED!