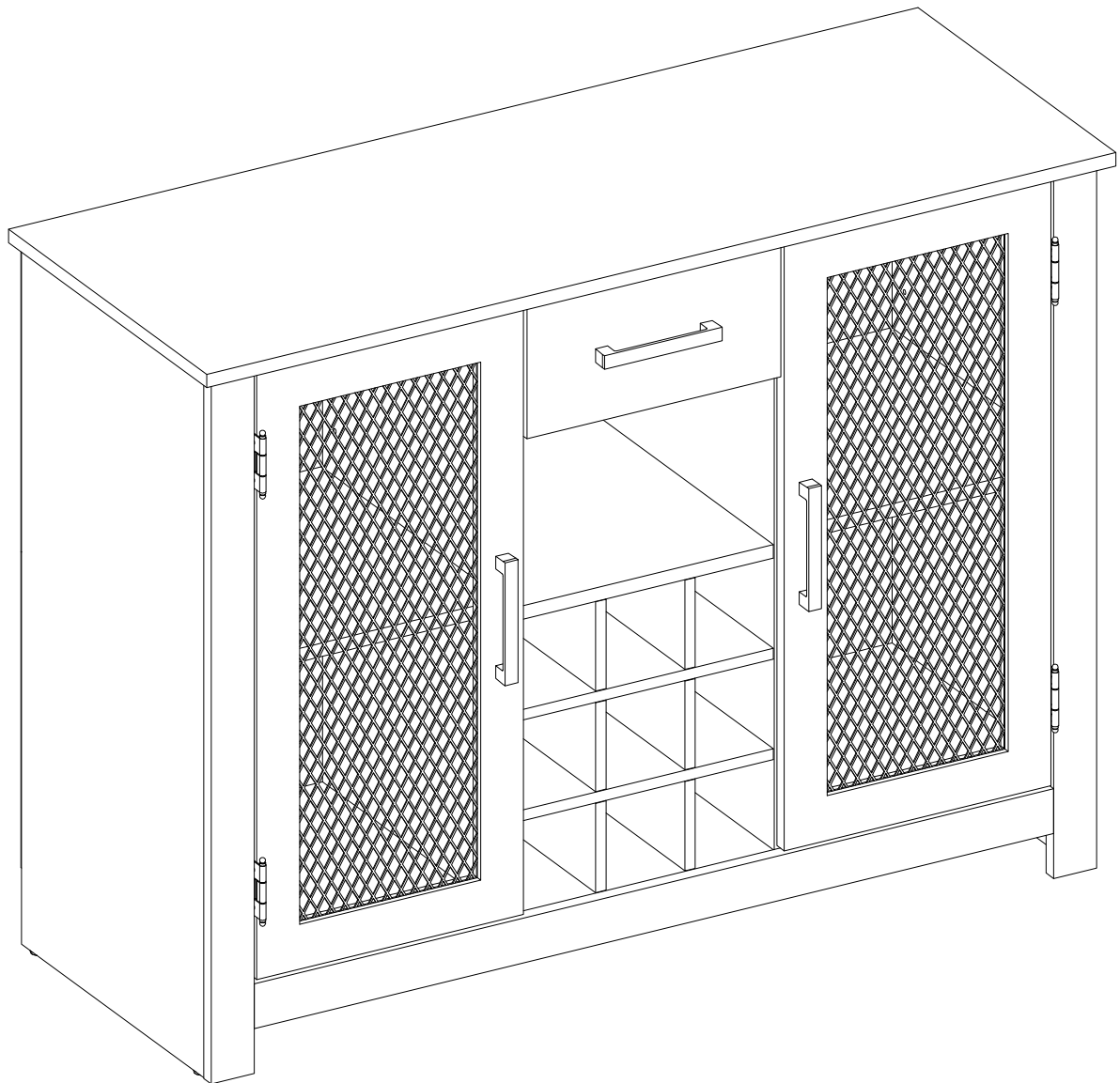


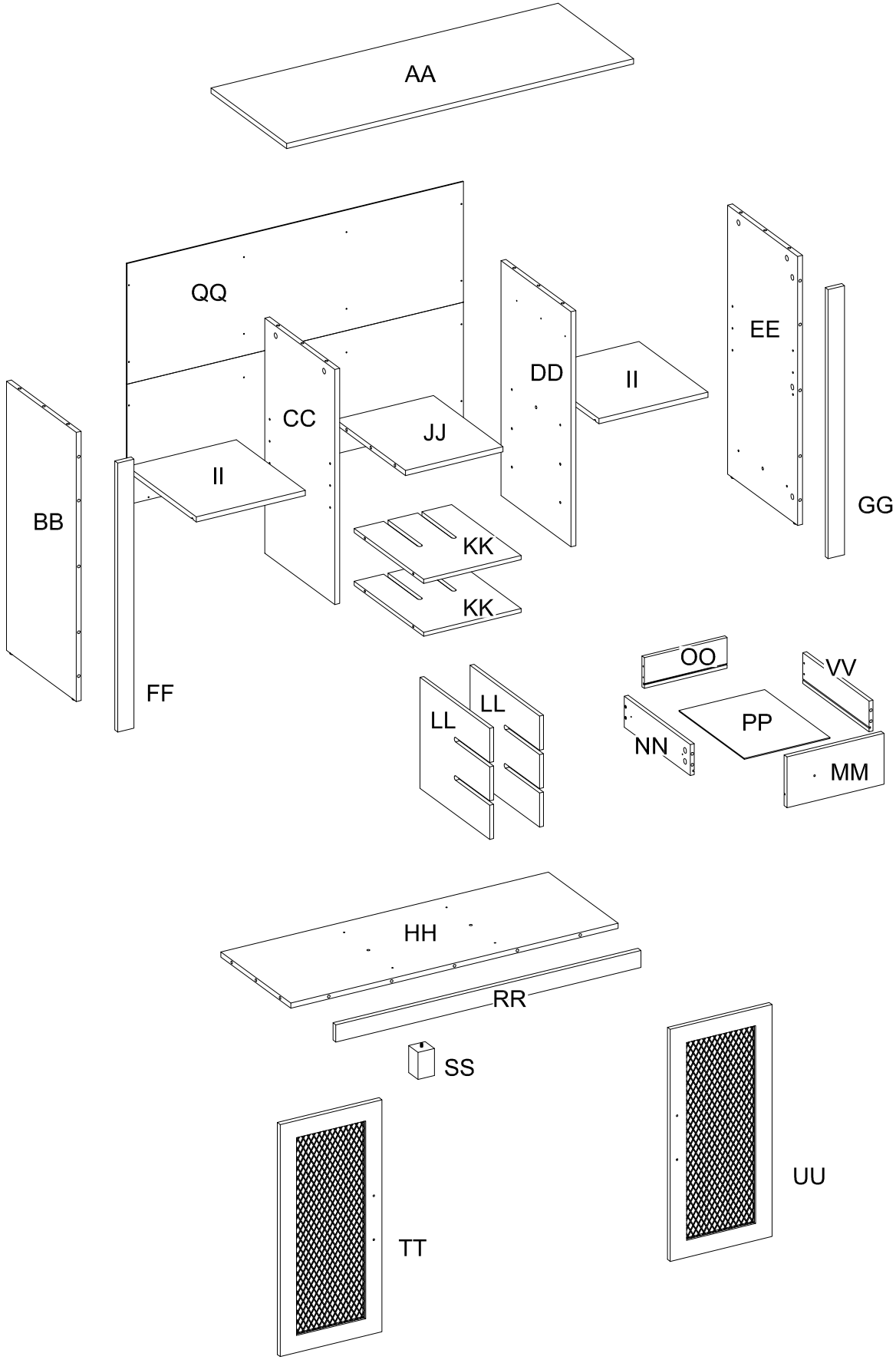
**HOME SOURCE<sup>®</sup>**

**ASSEMBLY INSTRUCTION**







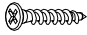


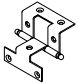
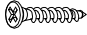




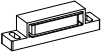


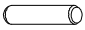

MODEL: JZ68-BASE

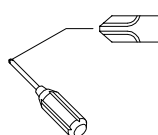


# Parts List



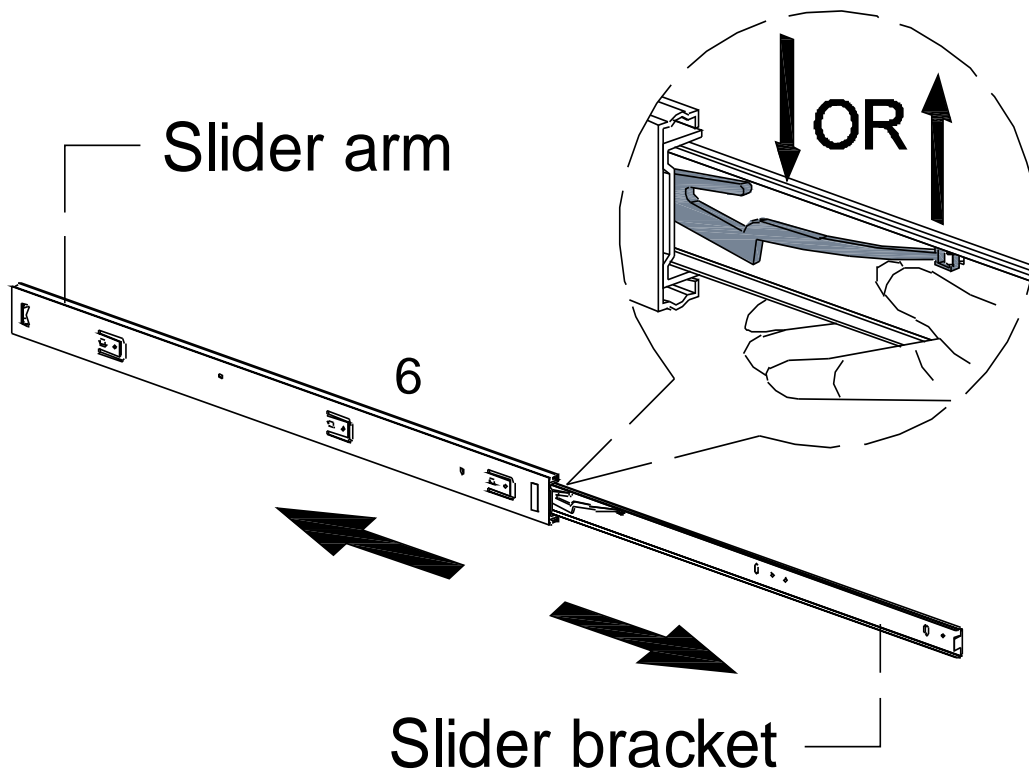
# Hardware List

1		Ø6x35mm	Cam bolt	29 pcs
2		Ø8x30mm	Wood dowel	16 pcs
3		Ø15x11mm	Cam lock	25 pcs
4		Ø15x9mm	Small cam lock	4 pcs
5		Ø4x32mm	Fast screw	4 pcs
6			Drawer slider	1 set
7		Ø3.5x12mm	Screw	28 pcs
8			Handle	3 pcs
9		Ø4x22mm	Handle bolt	6 pcs
10			Door hinge	4 pcs
11		Ø3x12mm	Screw	2 pcs
12			Support pin	8 pcs
13			Screw	21 pcs
14		Ø4x44mm	Fast screw	4 pcs
15			Magnetic piece	2 pcs
16			Magnetic catch	2 pcs
17			Glue	1 pcs
18		Ø3x15mm	Screw	4 pcs
19		Ø6x30mm	Wood dowel	8 pcs
20		M4mm	Hexagon socket key	1 pcs

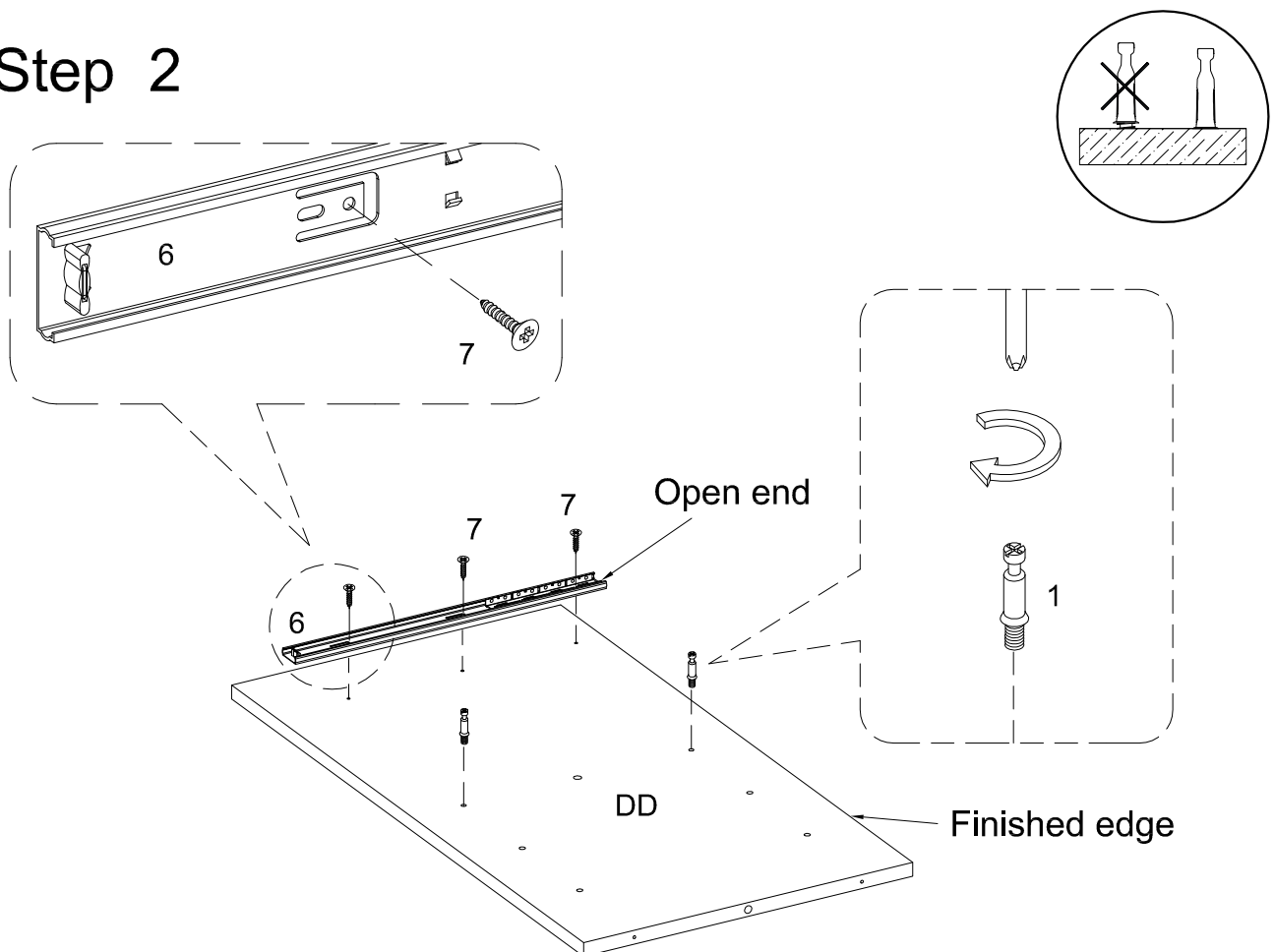


Philips head screwdriver required for assembly  
(not included)

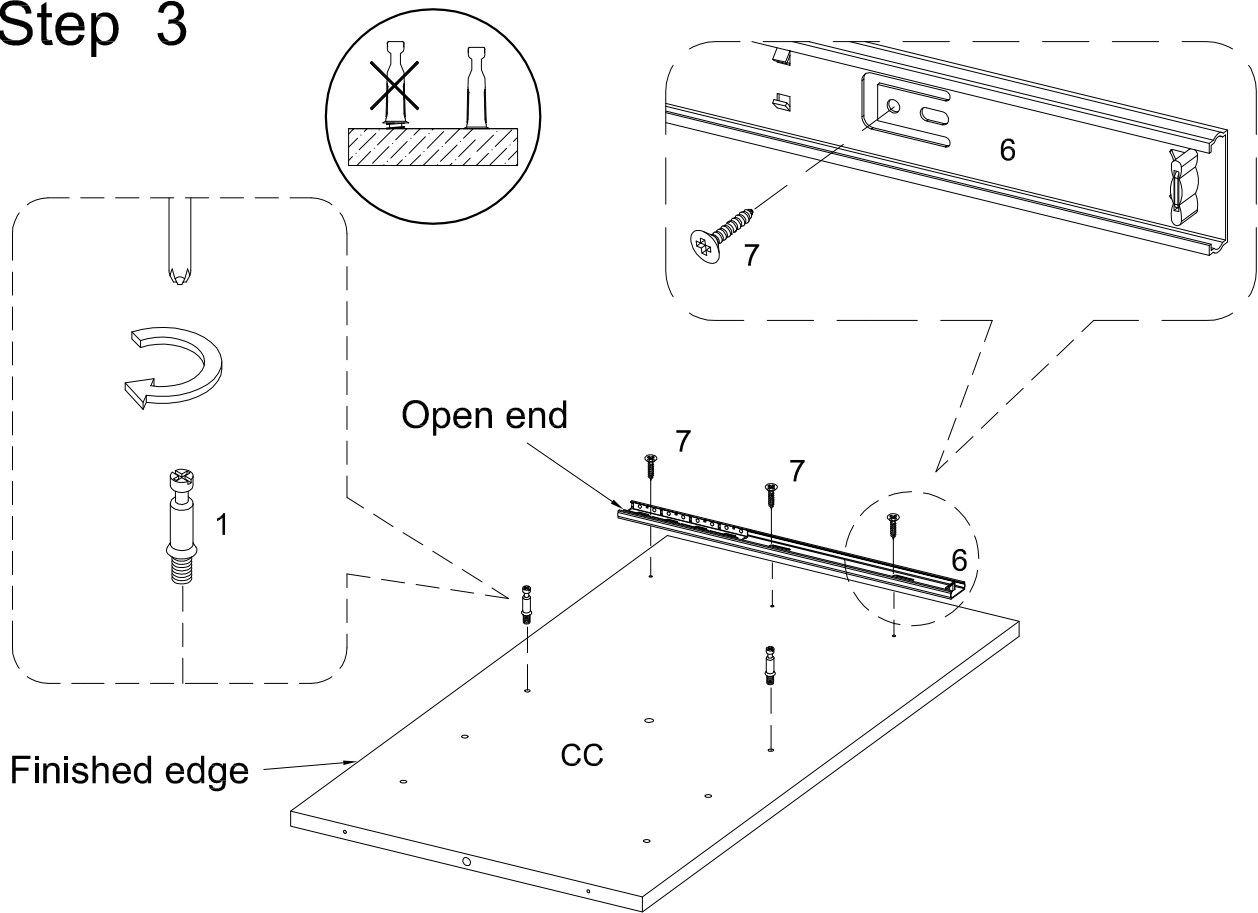
# Step 1



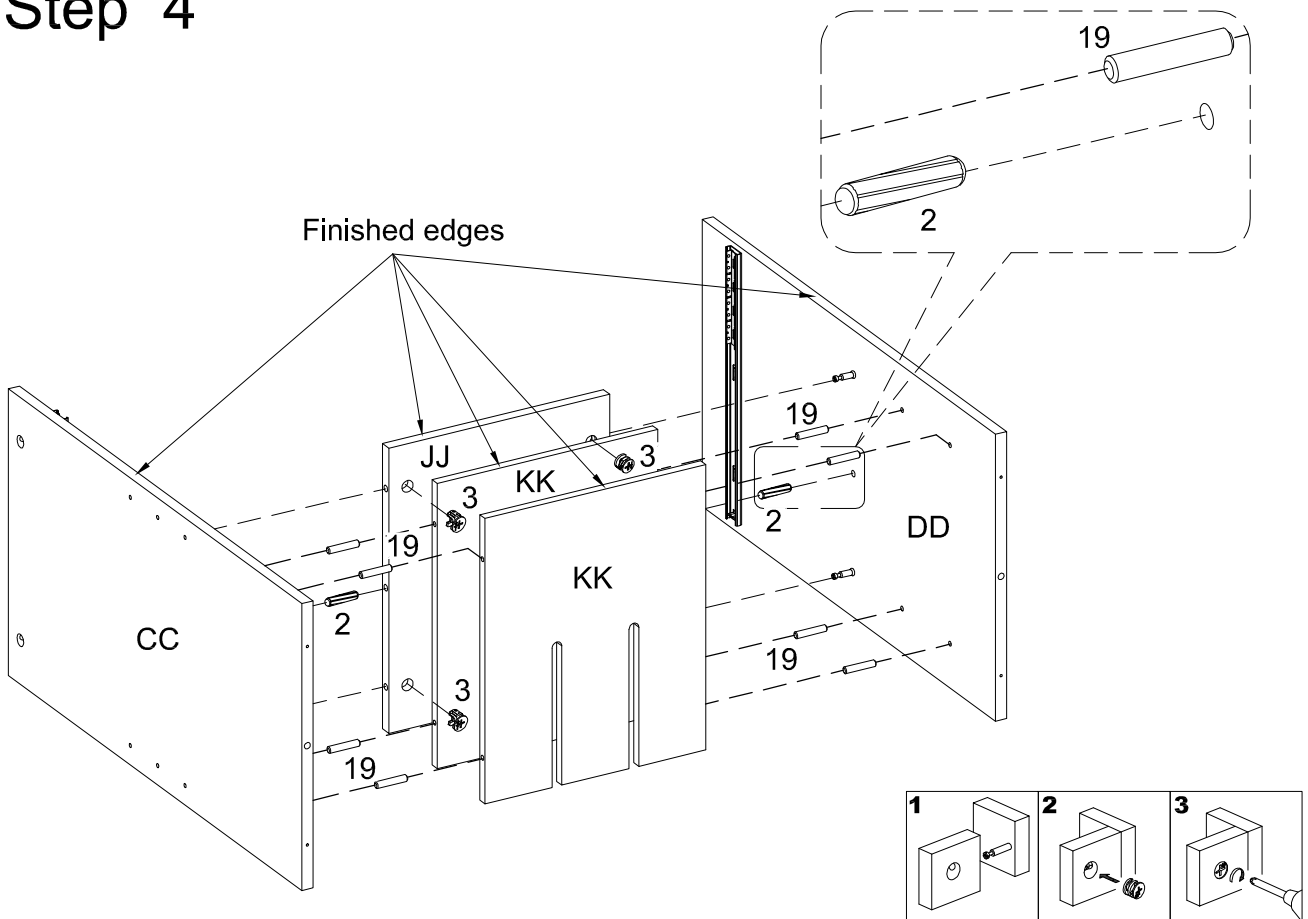
# Step 2



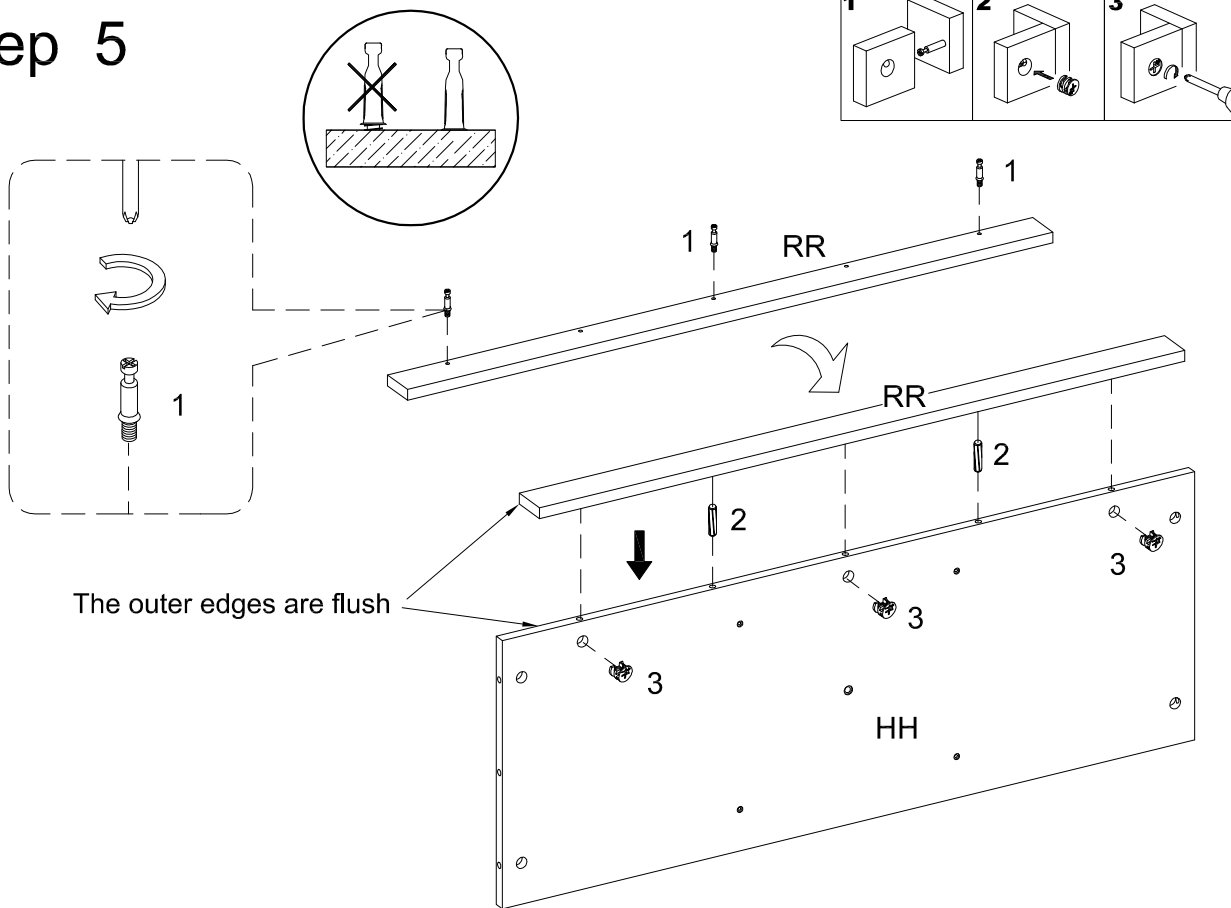
# Step 3



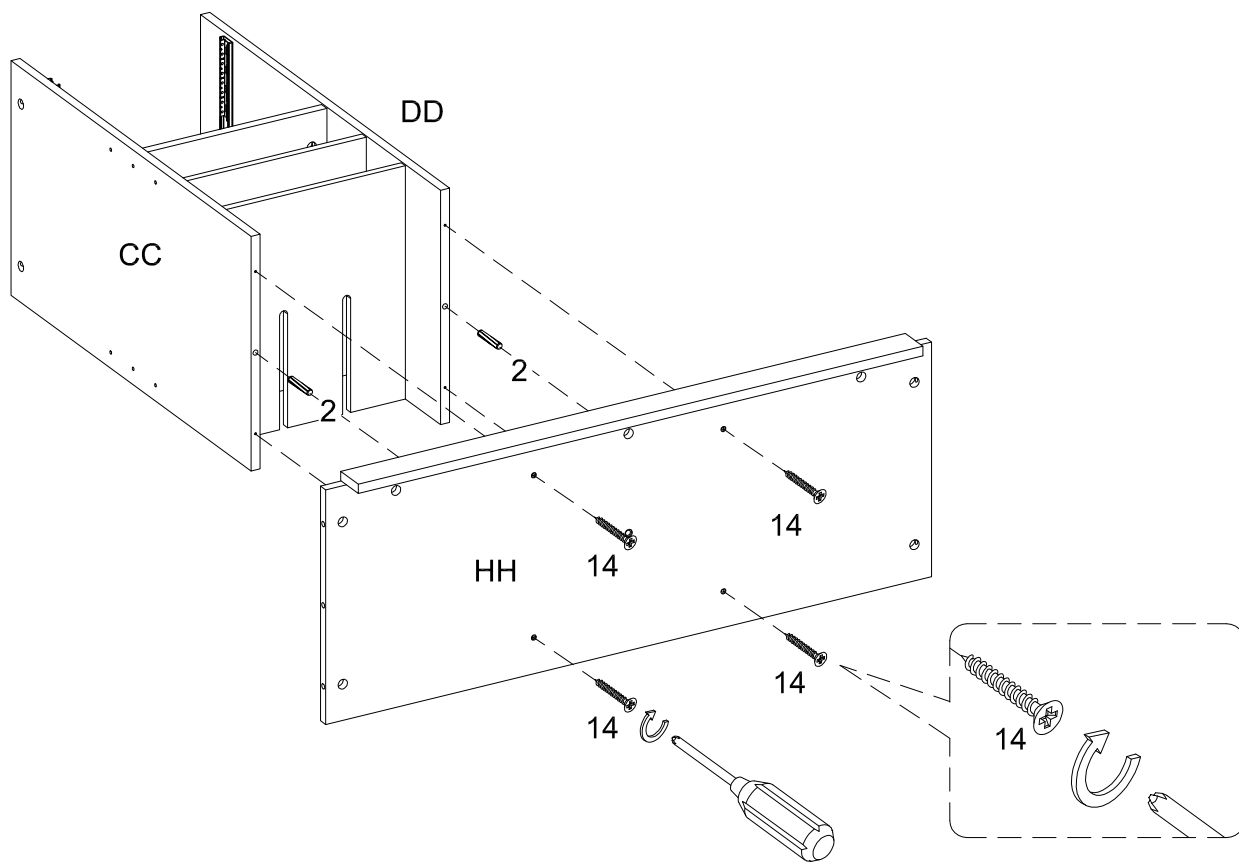
# Step 4



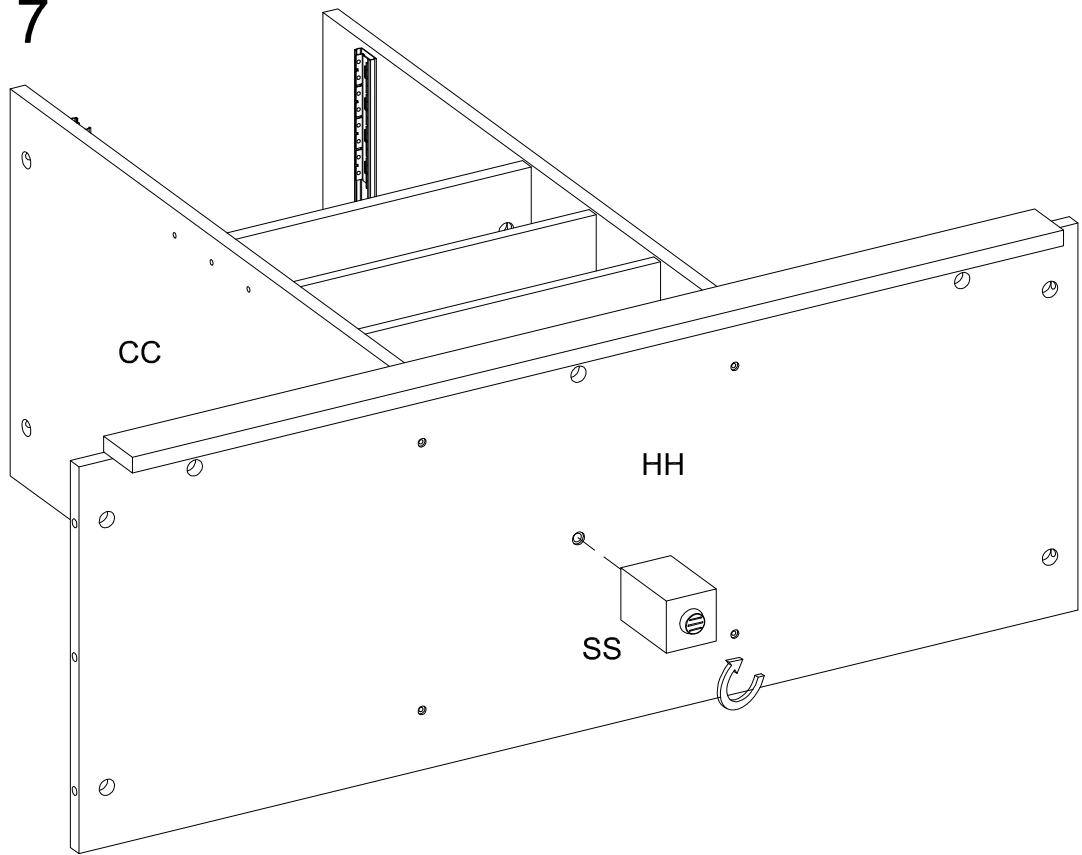
# Step 5



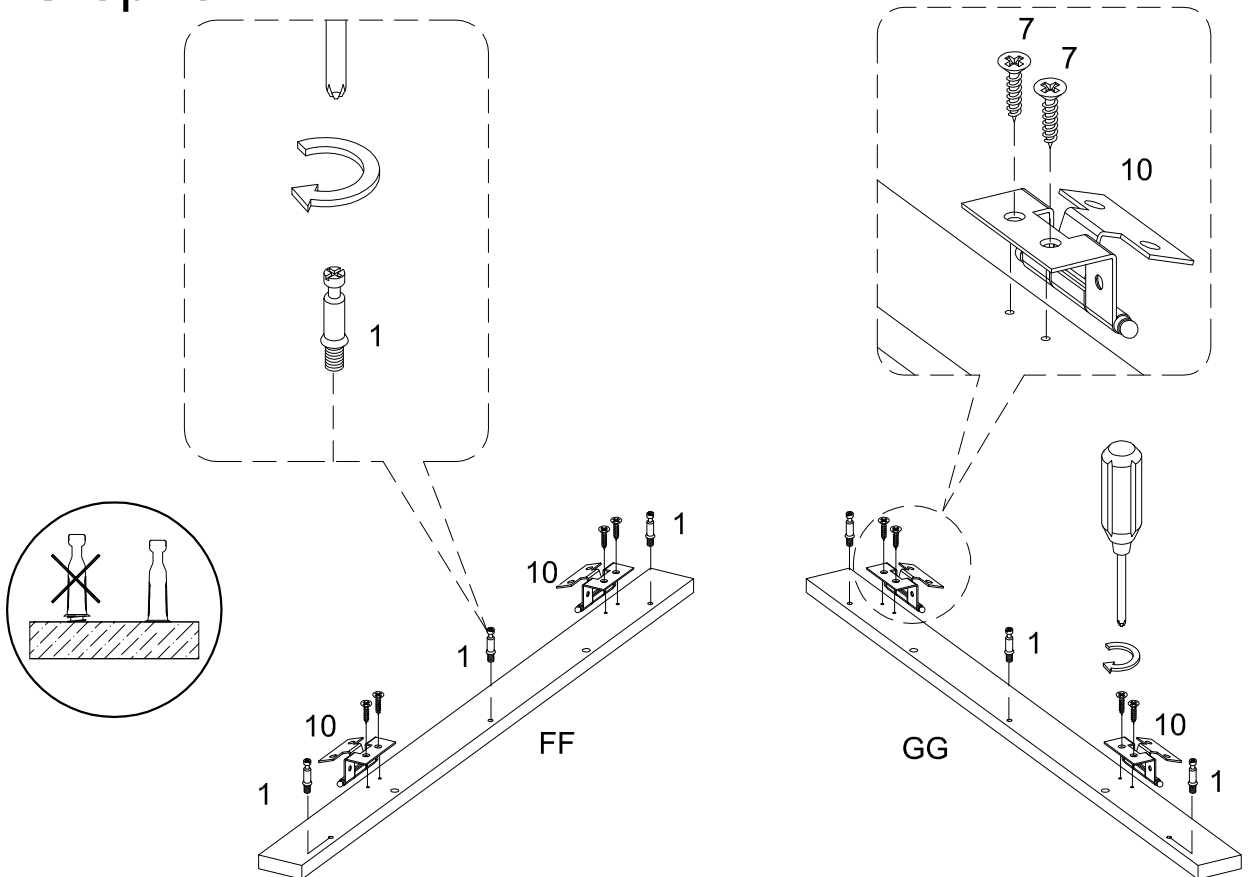
# Step 6



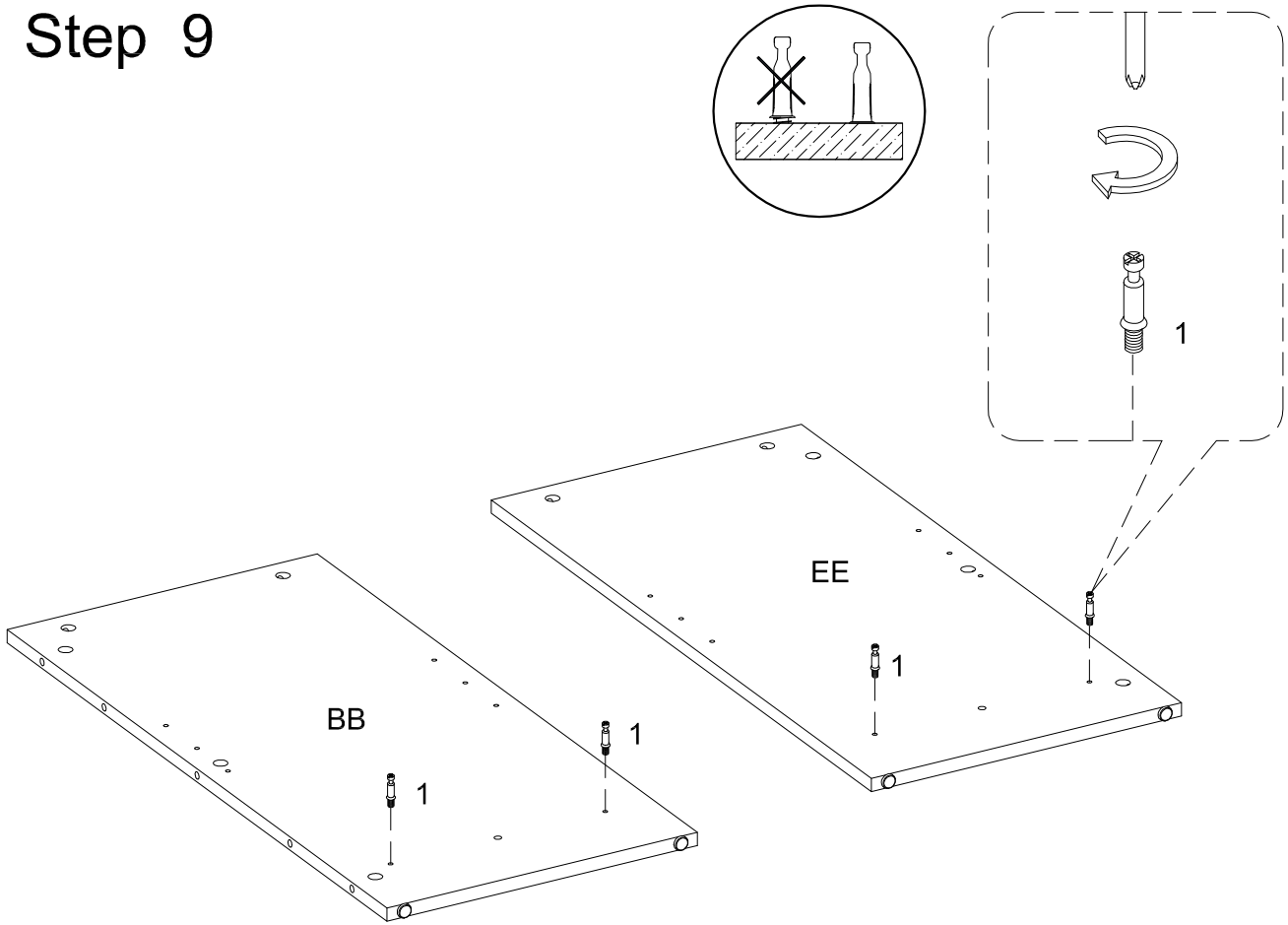
# Step 7



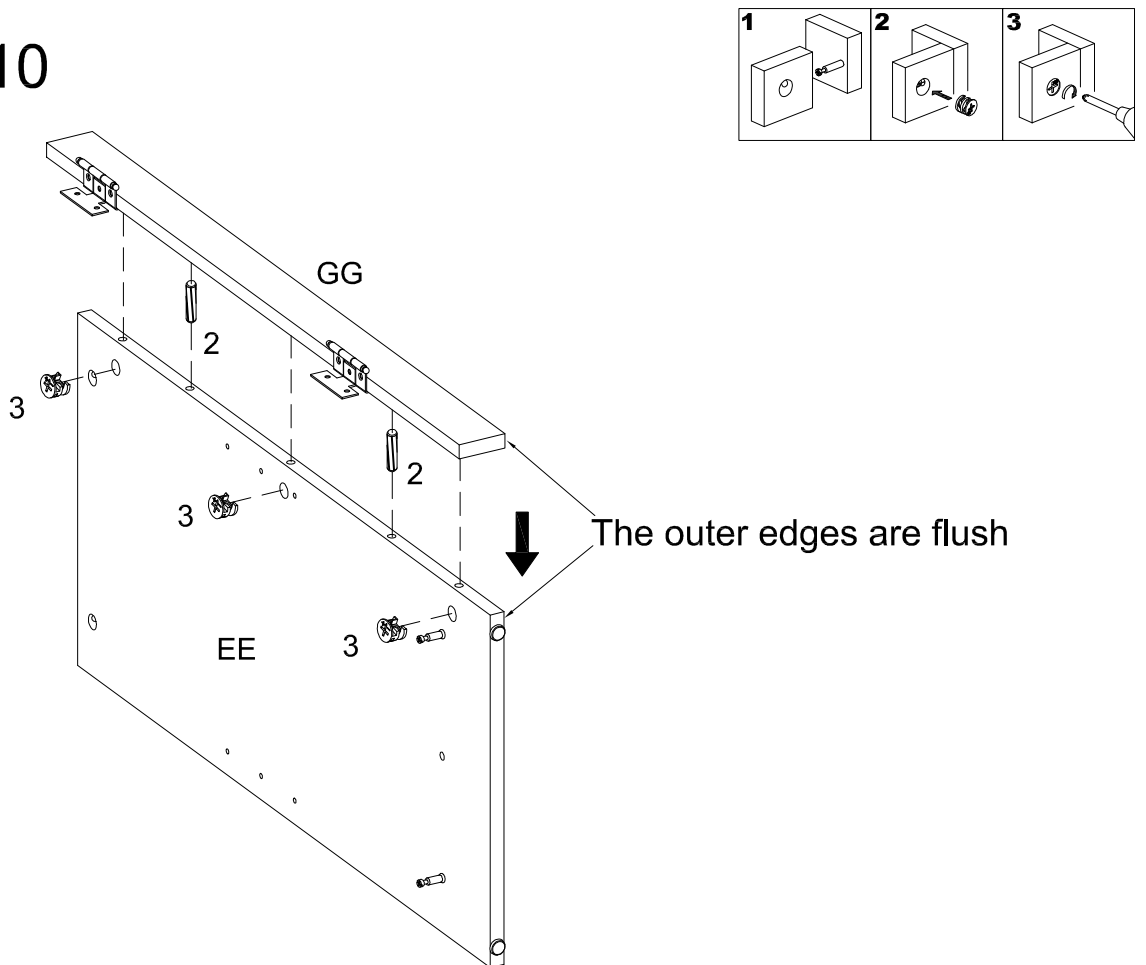
# Step 8



# Step 9



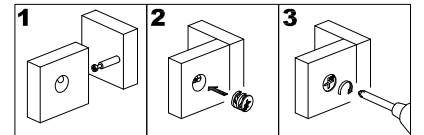
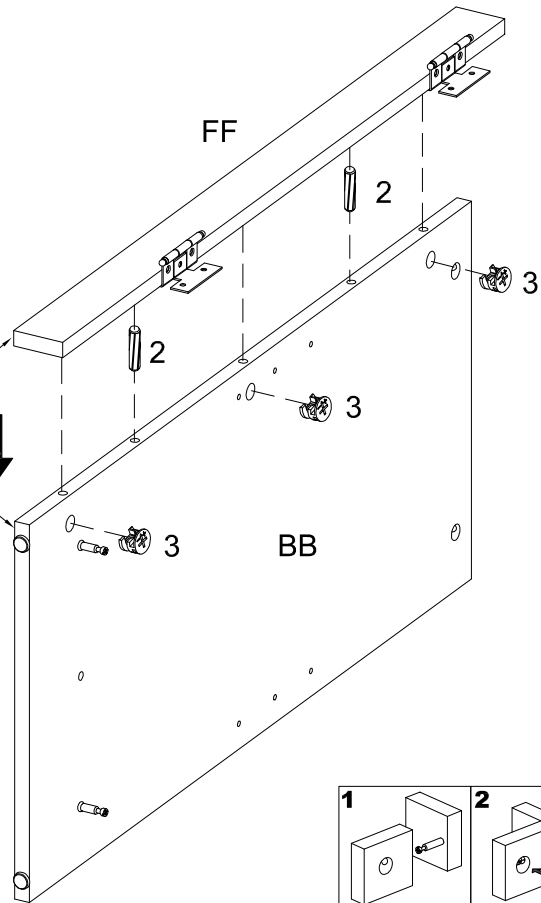
# Step 10



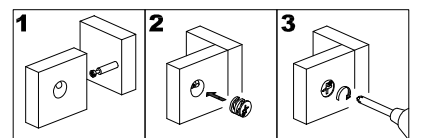
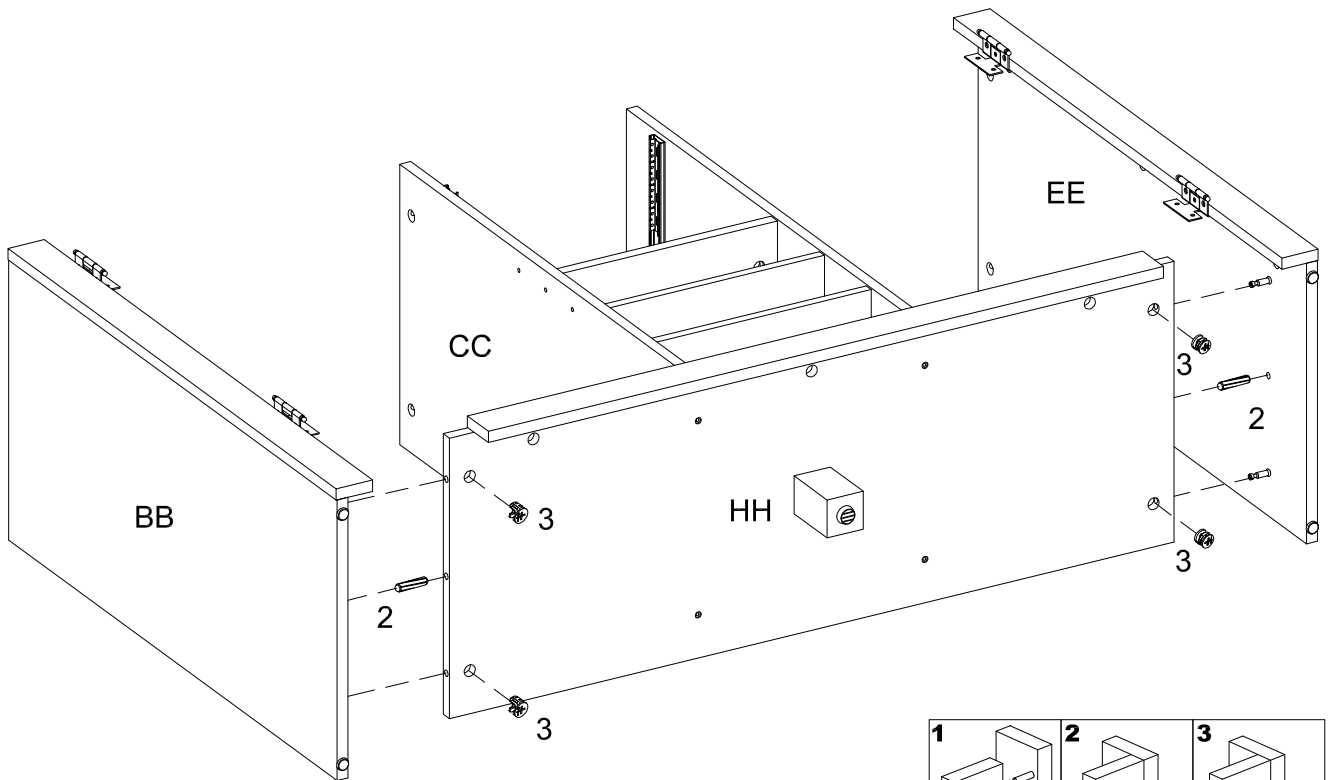


# Step 11

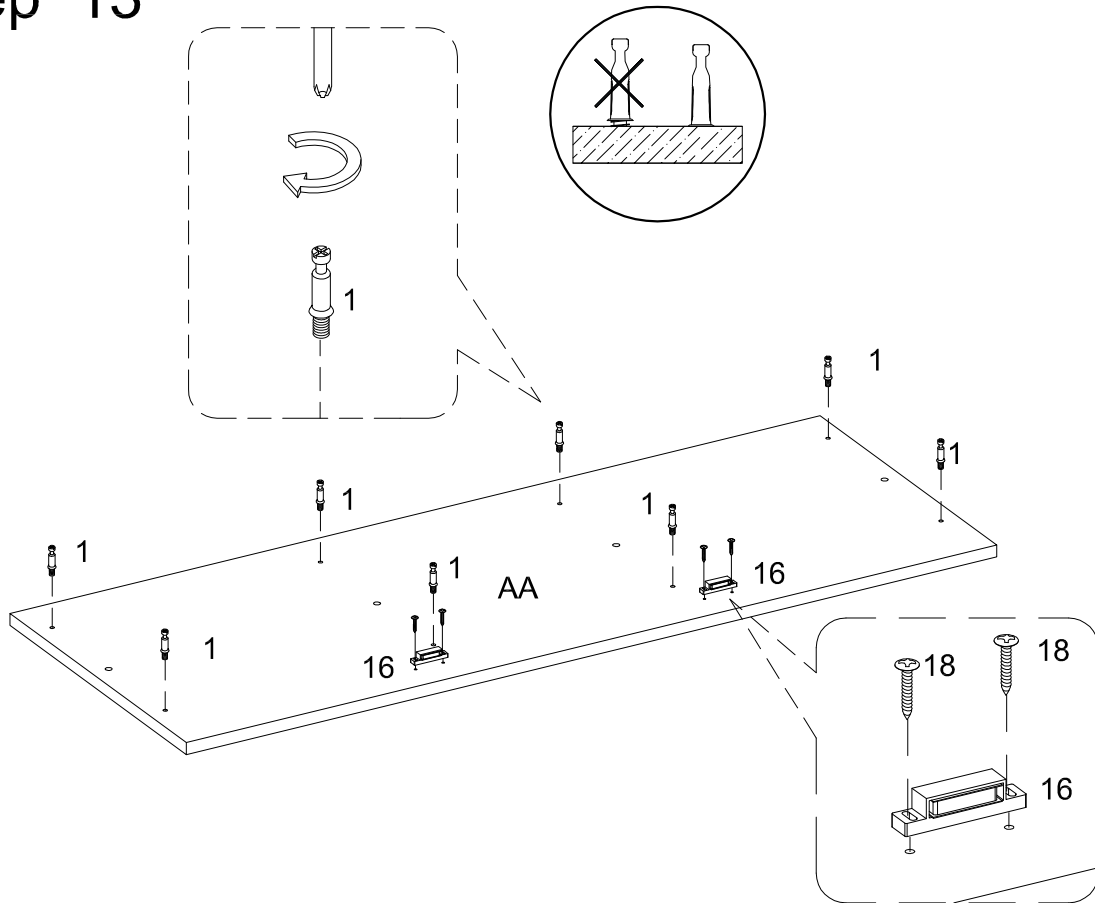
The outer edges are flush



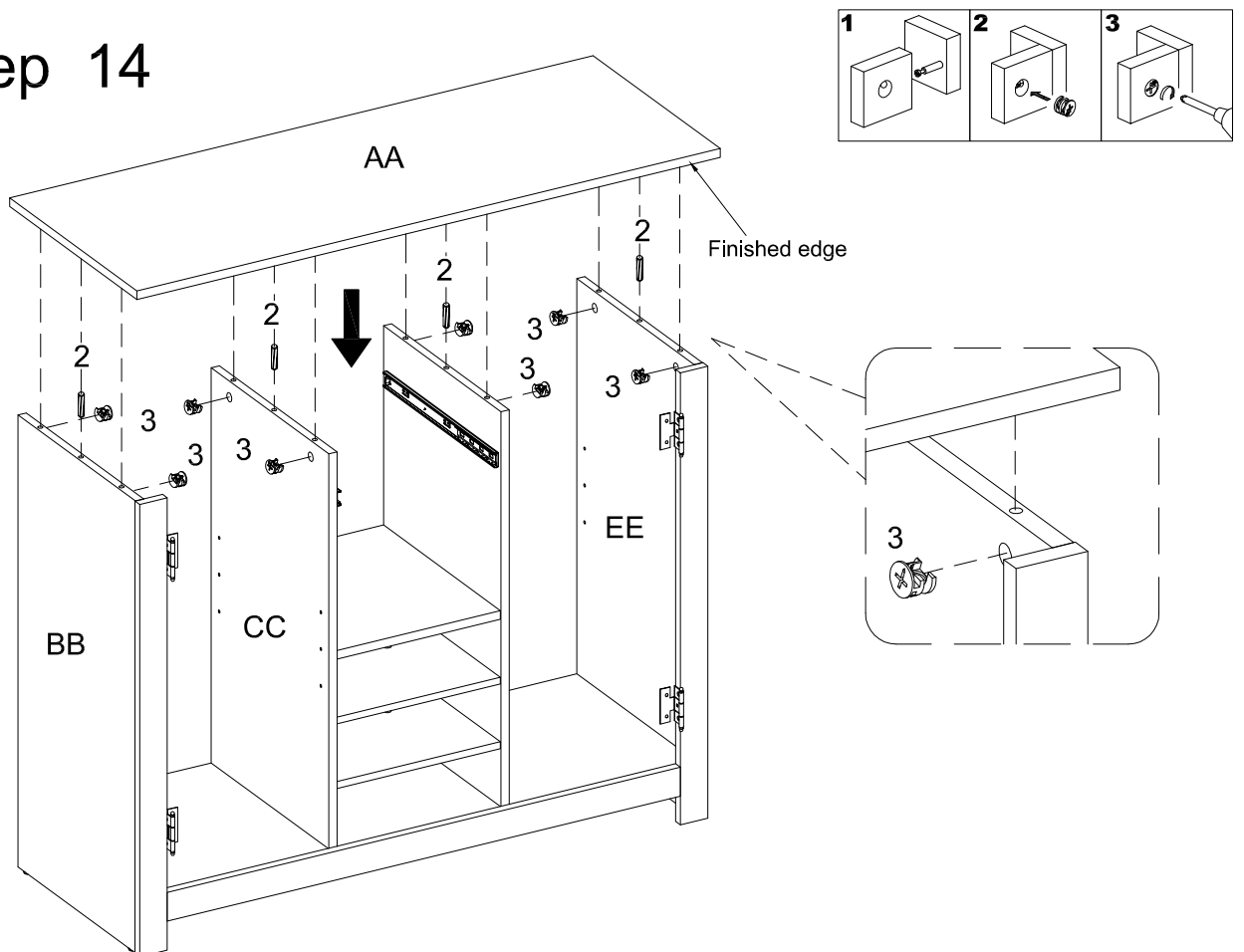
# Step 12



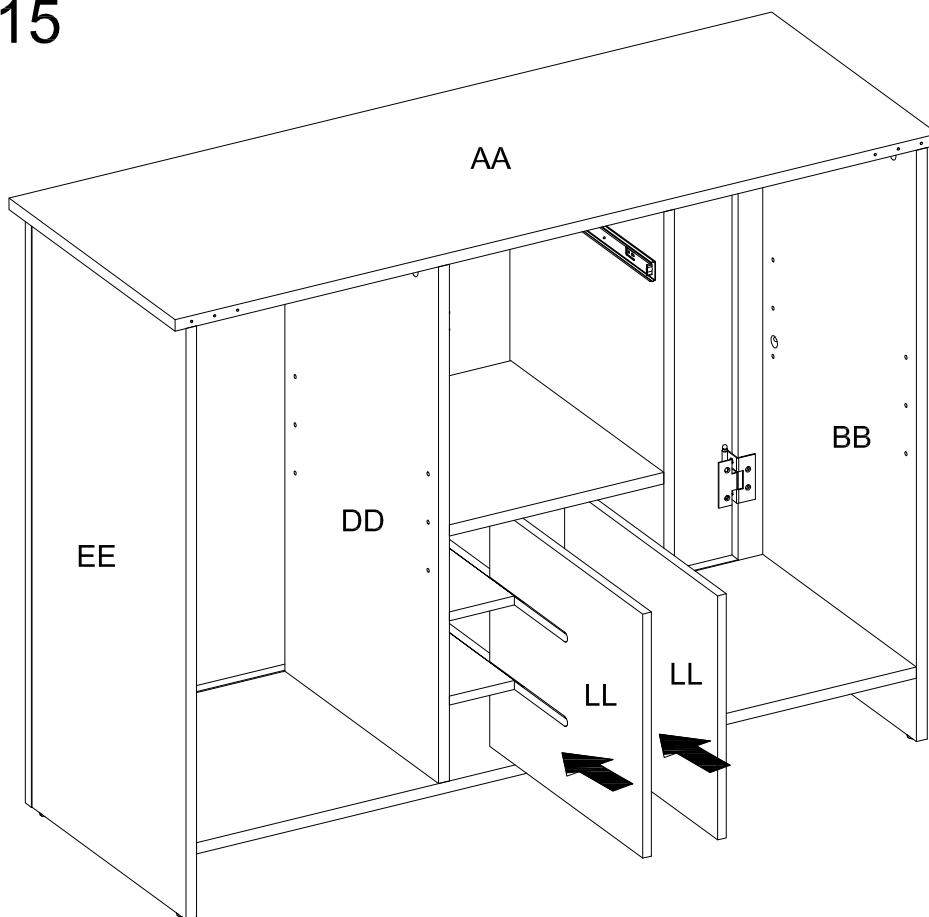
# Step 13



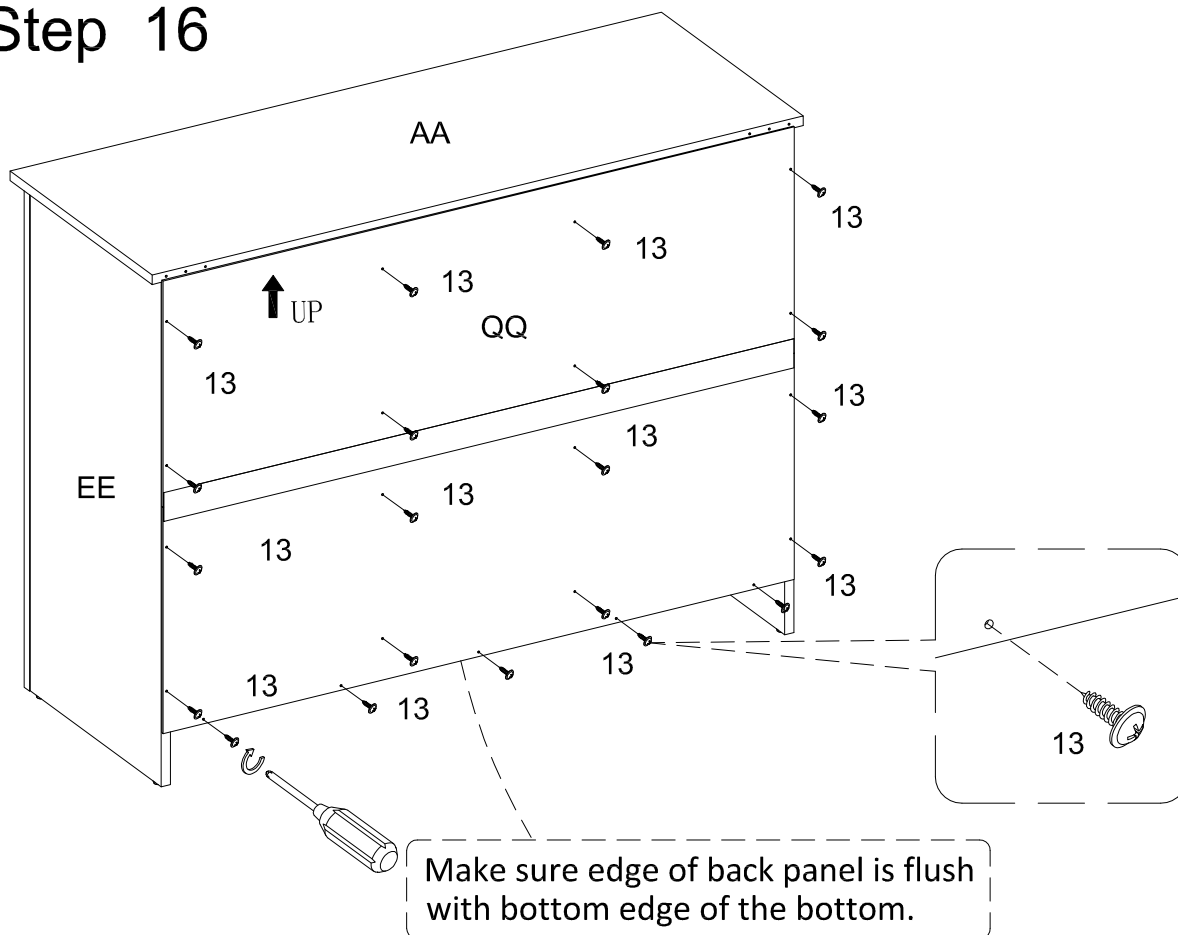
# Step 14



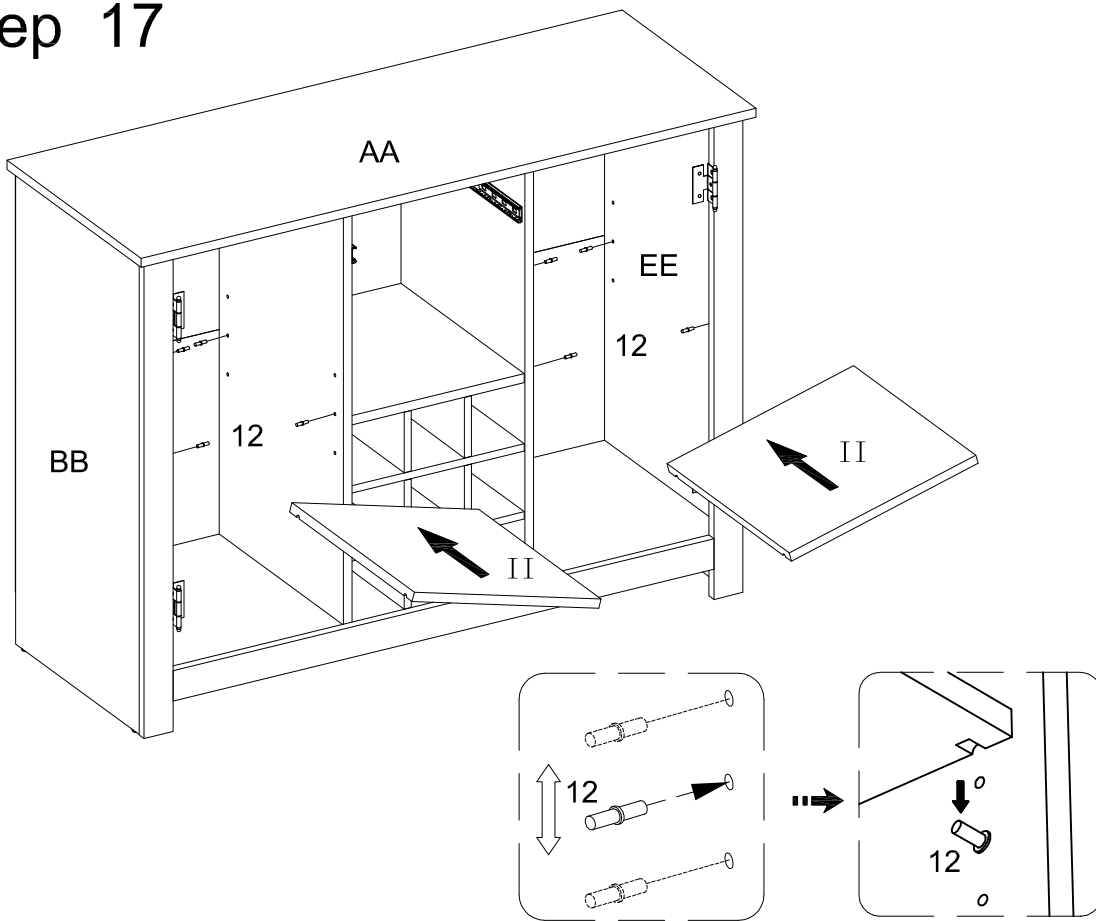
# Step 15



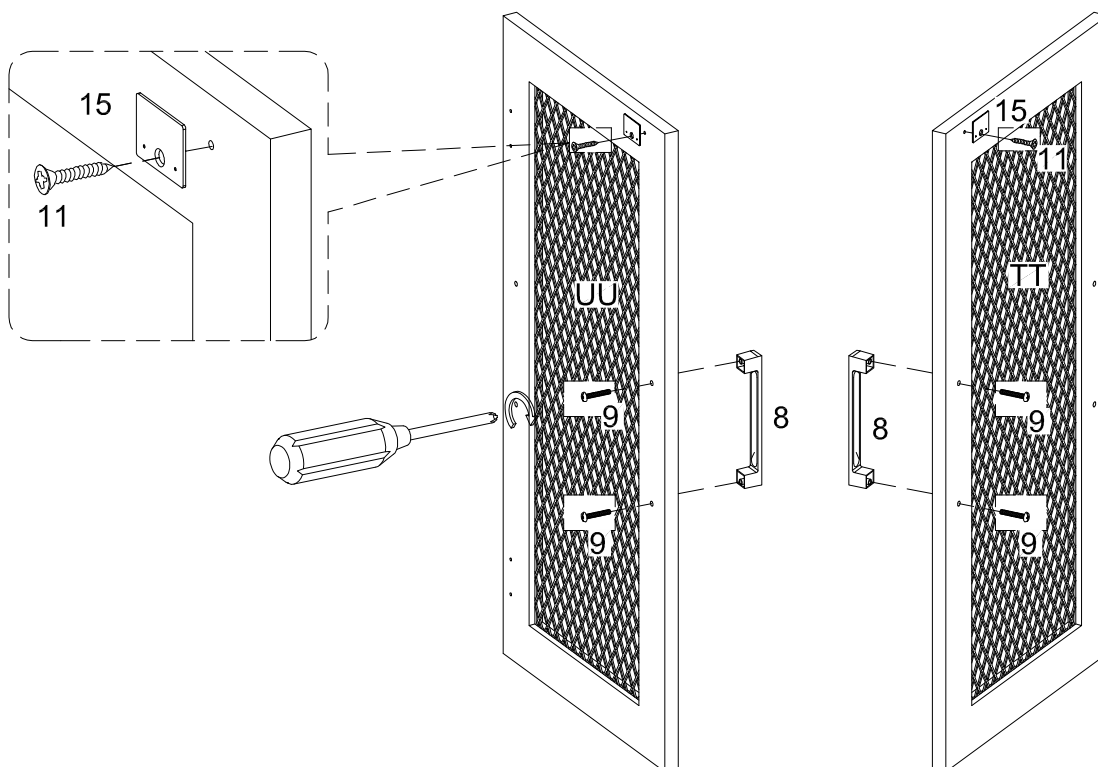
# Step 16



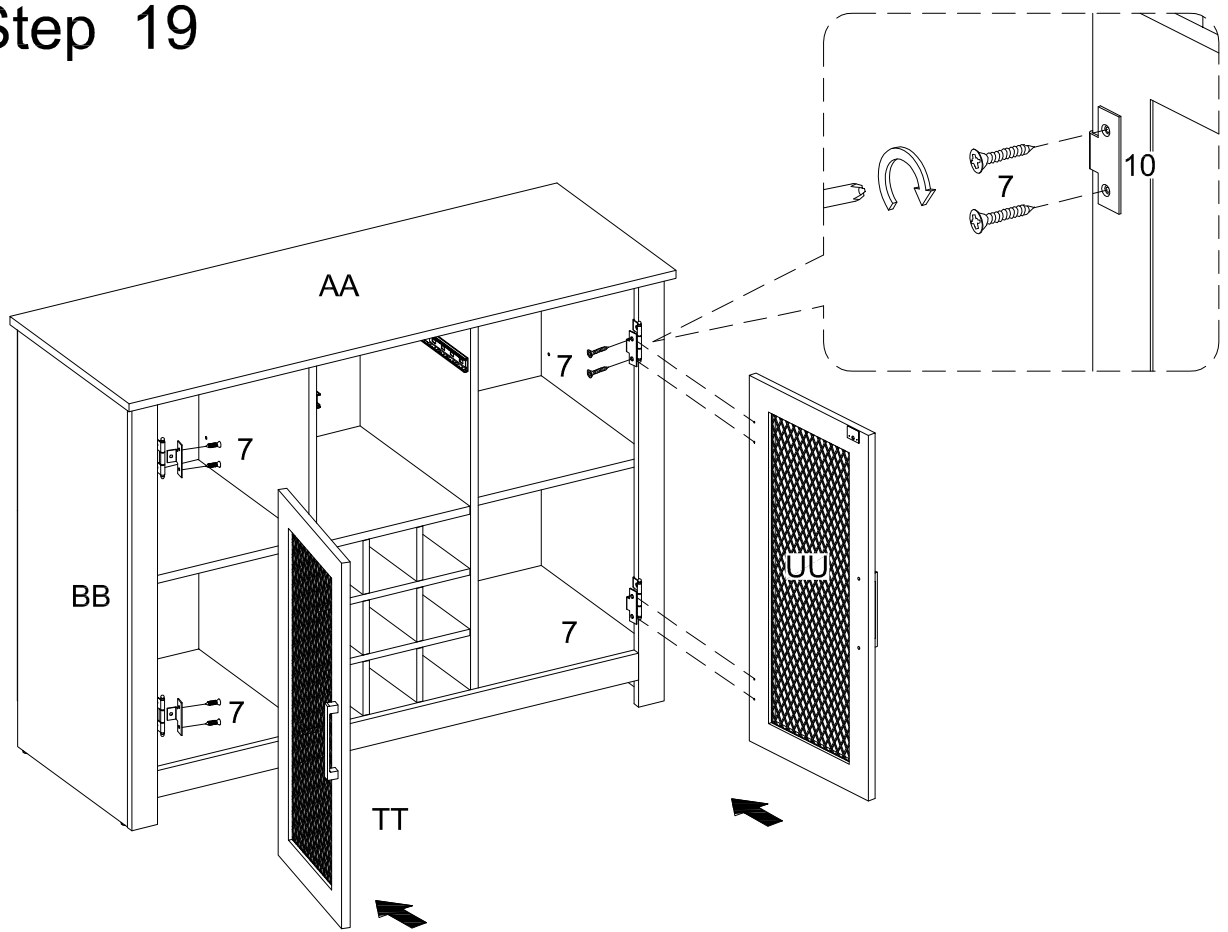
# Step 17



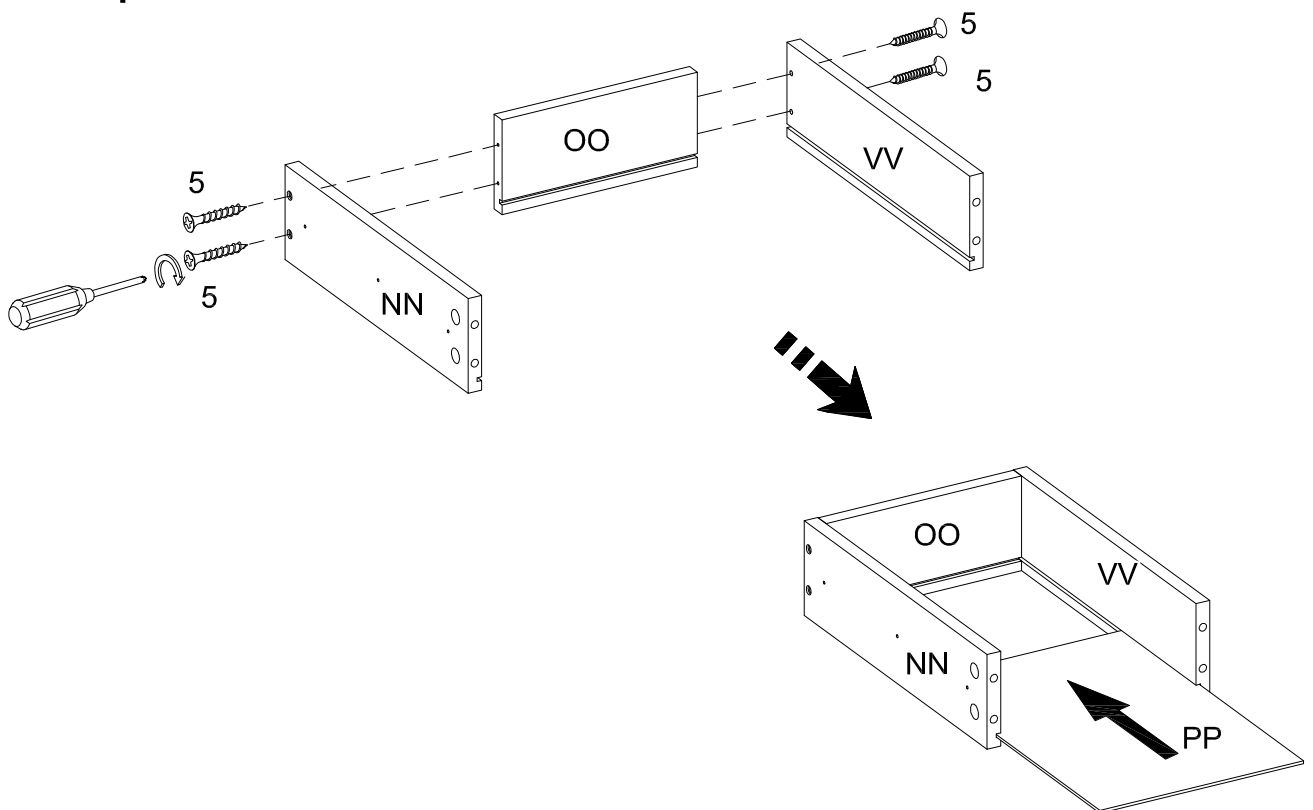
# Step 18



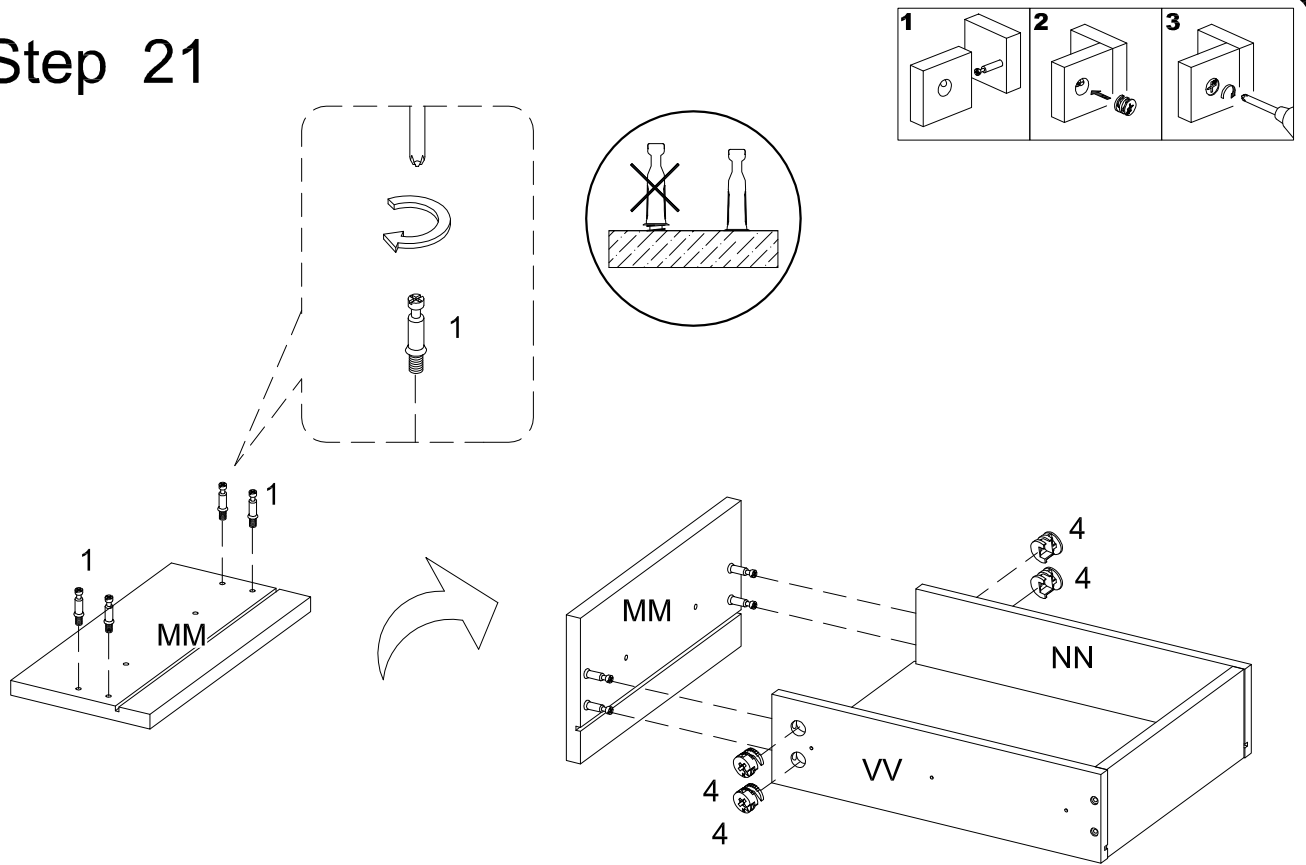
# Step 19



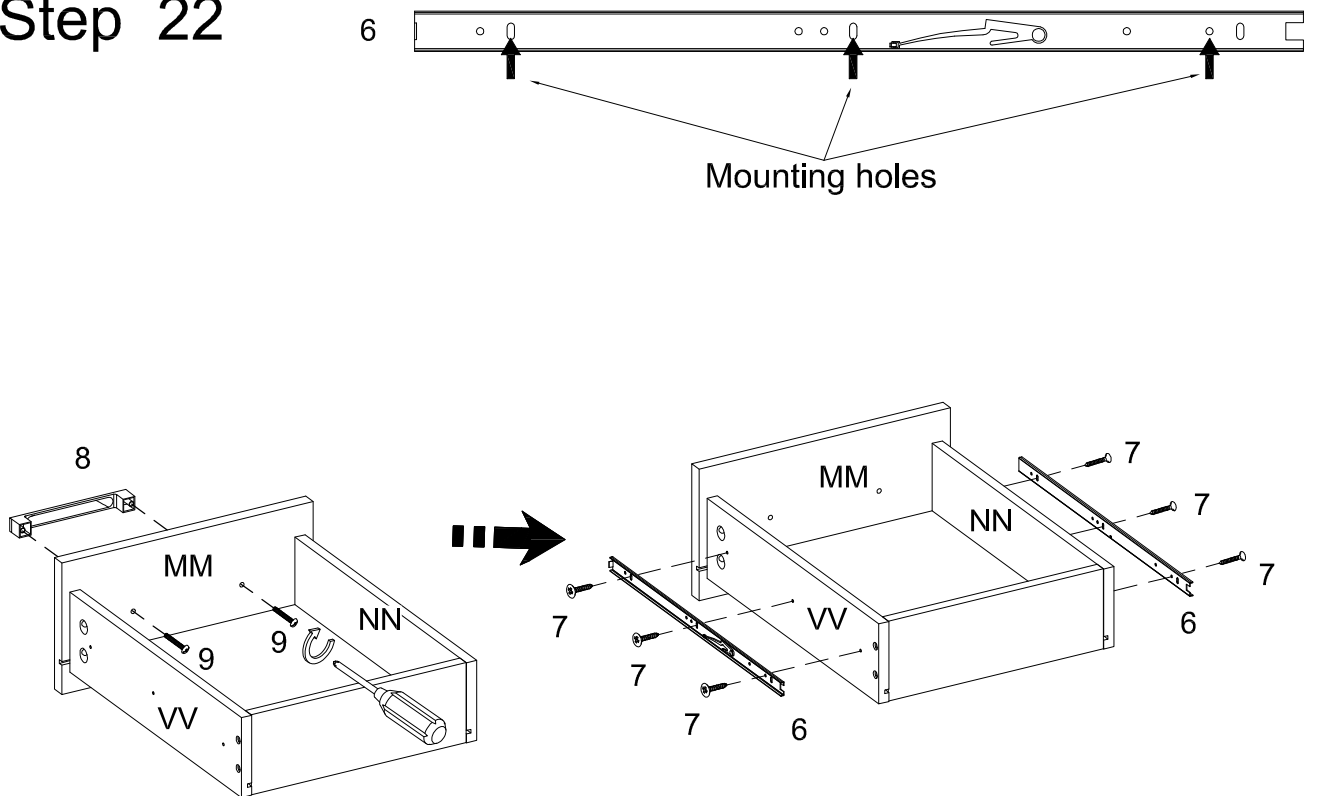
# Step 20



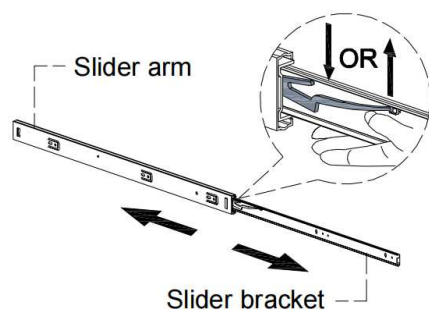
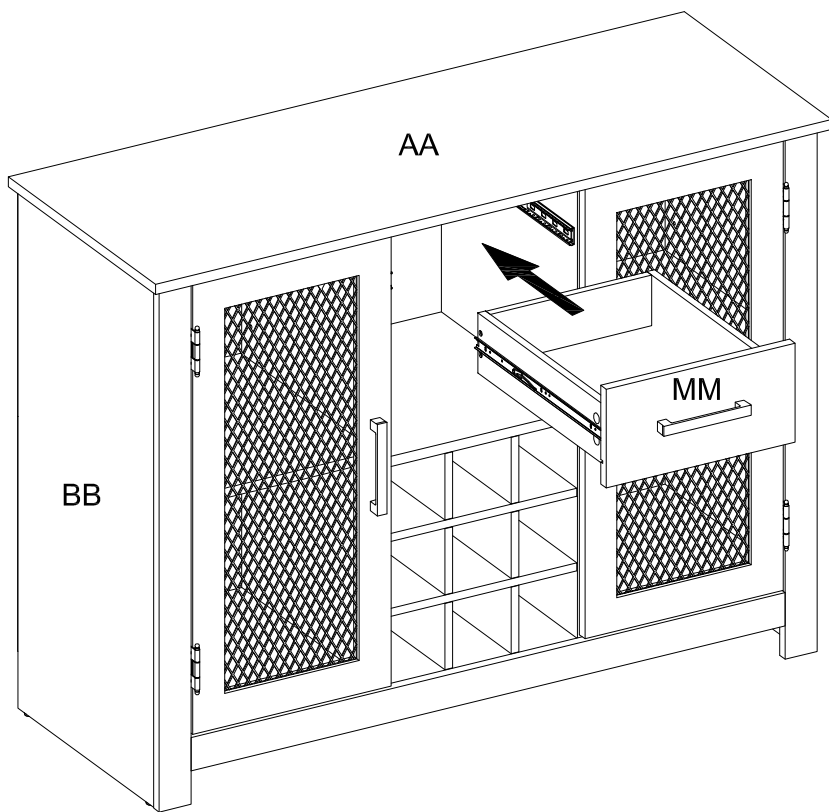
# Step 21



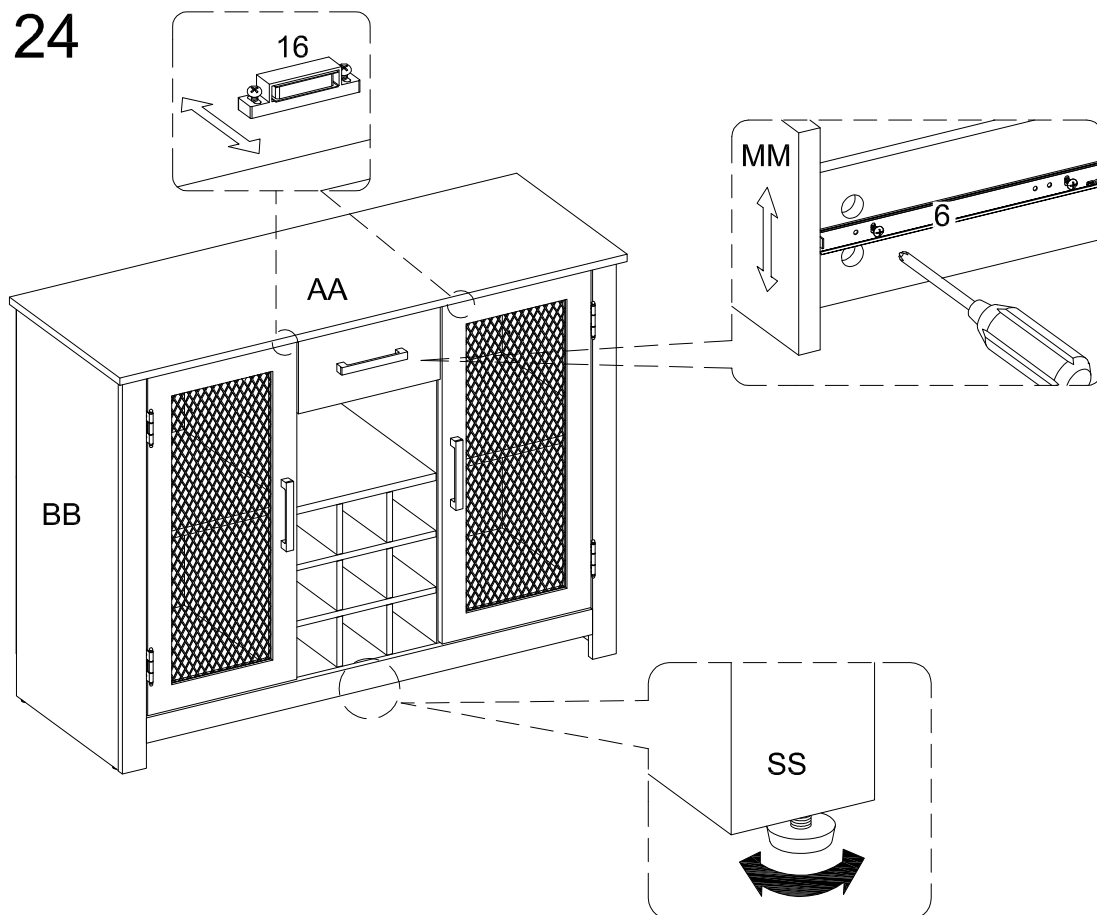
# Step 22



# Step 23

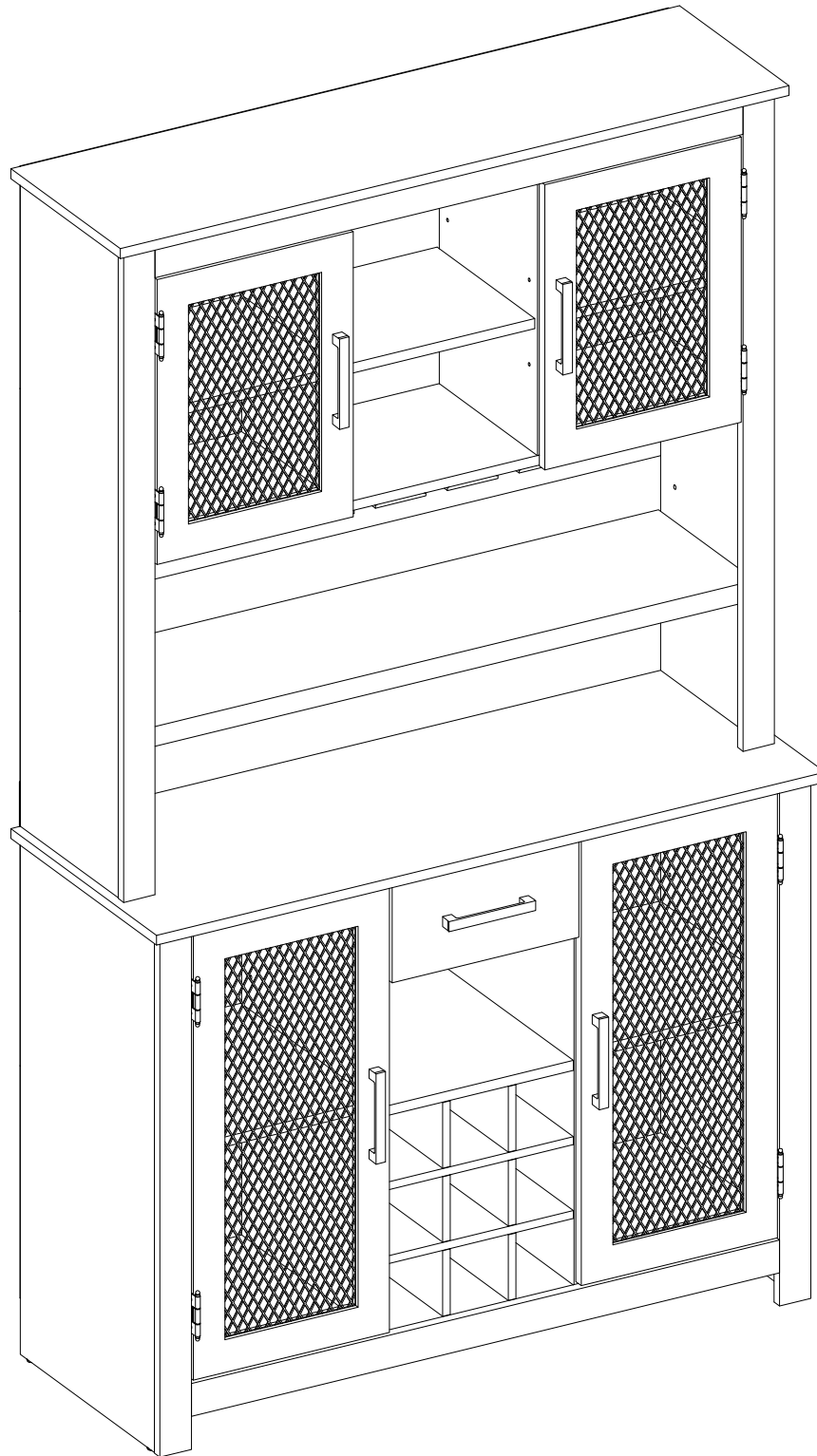


# Step 24



# PRODUCT RECOMMENDATION

Combine with matching hutch for additional work center storage.

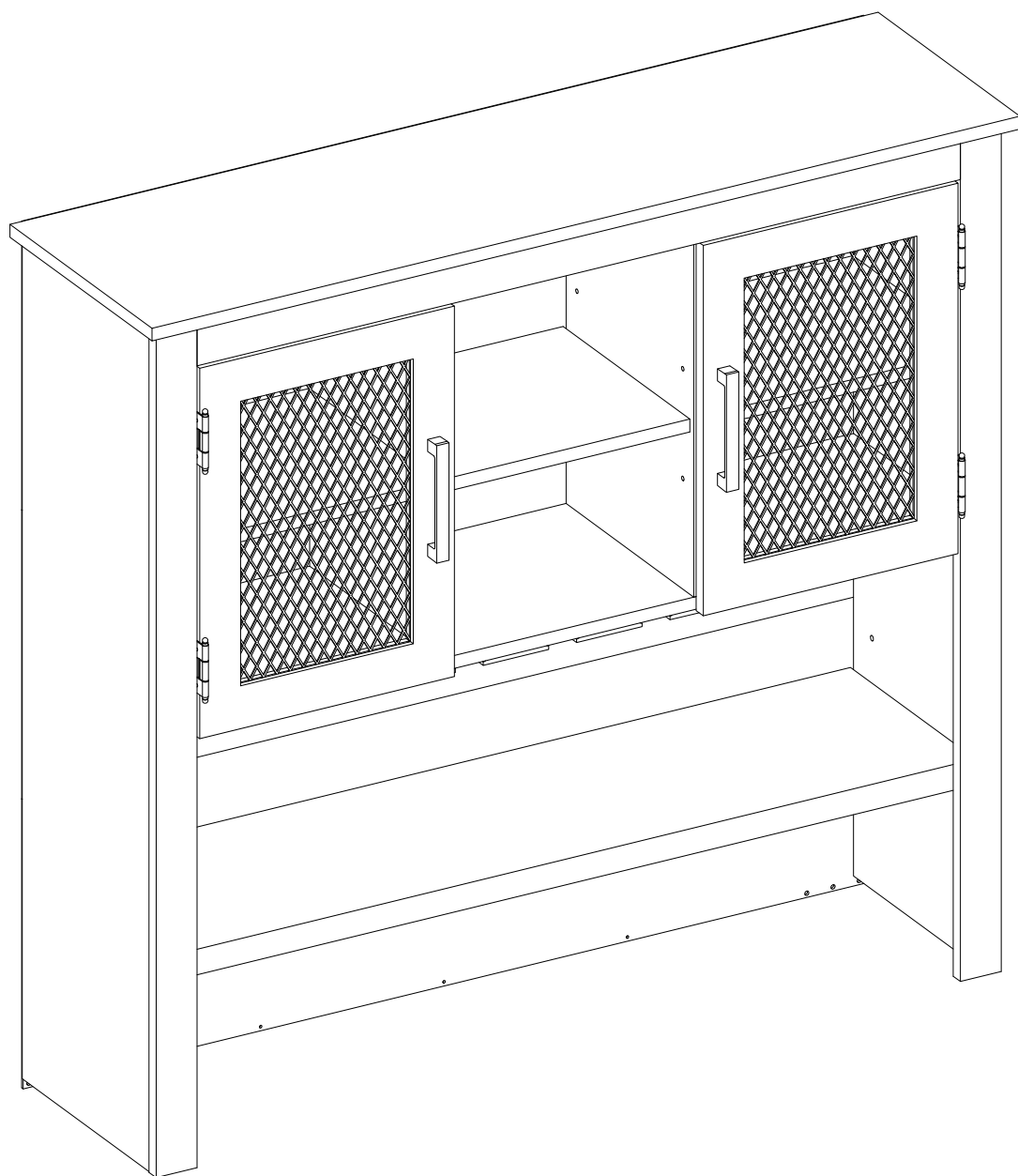




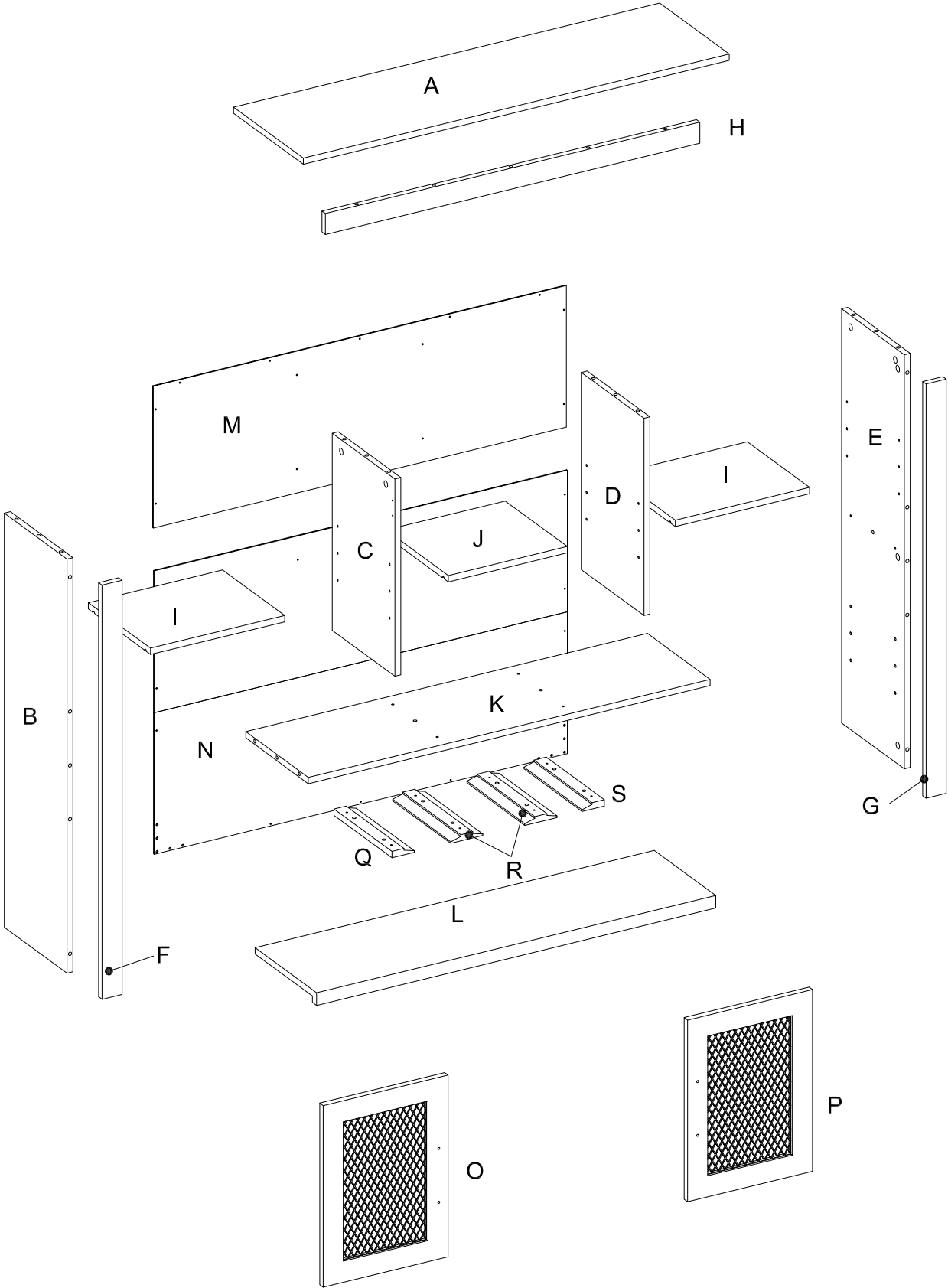
**HOME SOURCE<sup>®</sup>**

**ASSEMBLY INSTRUCTION**

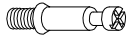




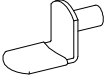
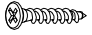


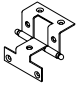
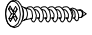




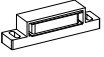

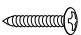
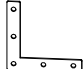


MODEL: JZ68-TOP

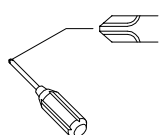


# Parts List



# Hardware List

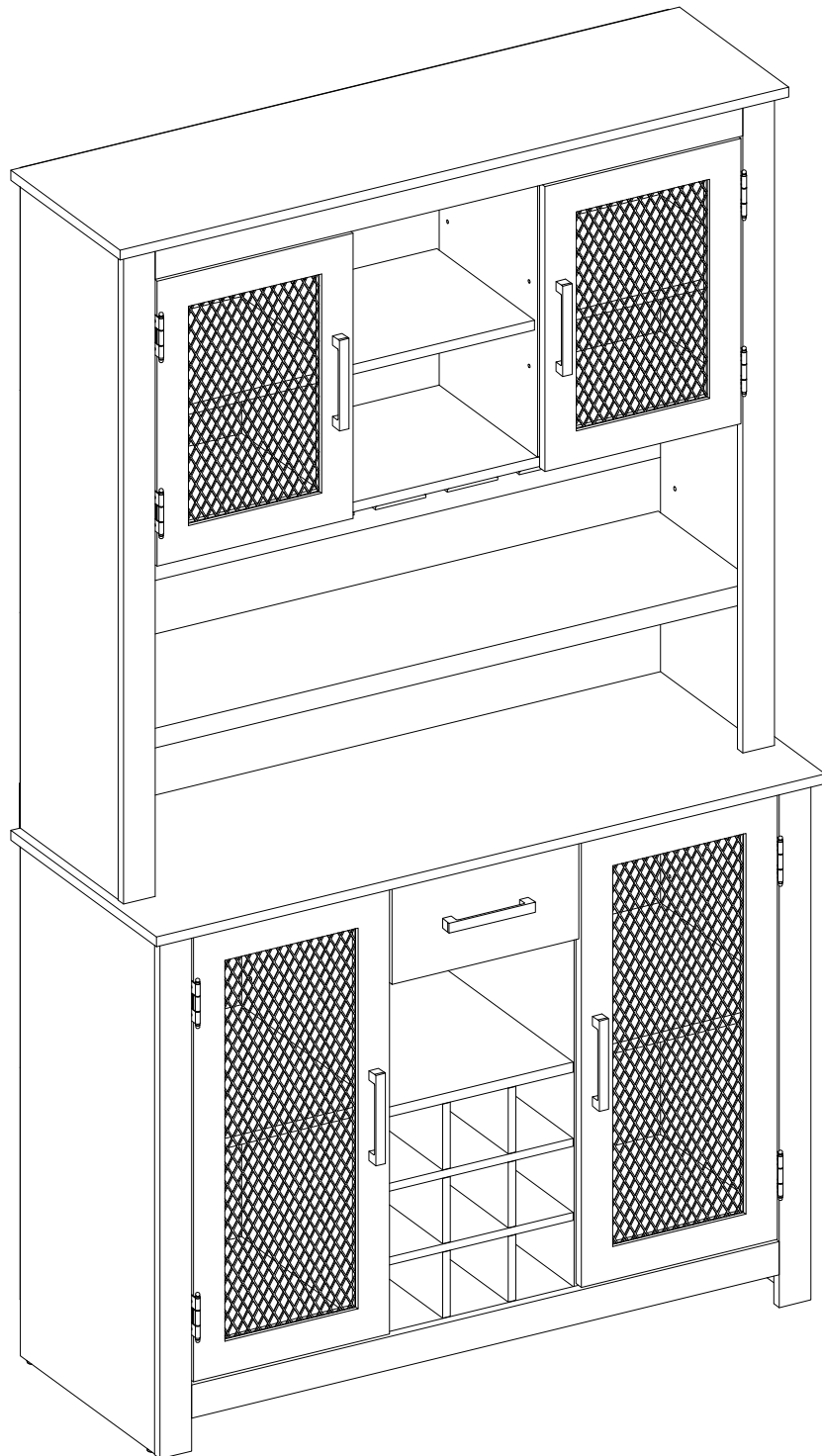
1		Ø6x35mm	Cam bolt	21 pcs
2		Ø8x30mm	Wood dowel	14 pcs
3		Ø15x11mm	Cam lock	21 pcs
4		Ø8x20mm	Wood dowel	8 pcs
5		Ø4x25mm	Fast screw	8 pcs
6			Shelf pin	4 pcs
7		Ø3.5x12mm	Screw	16 pcs
8			Handle	2 pcs
9		Ø4x22mm	Handle bolt	4 pcs
10			Door hinge	4 pcs
11		Ø3x12mm	Screw	2 pcs
12			Support pin	12 pcs
13			Screw	29 pcs
14		Ø4x44mm	Fast screw	4 pcs
15			Magnetic piece	2 pcs
16			Magnetic catch	2 pcs
17			Glue	1 pcs
18		Ø3x15mm	Screw	4 pcs
19			Metal bracket	2 pcs
20		Ø4x19mm	Screw	10 pcs
21		Tipping Restraint Hardware (Inside Plastic White Bag)		2 pcs



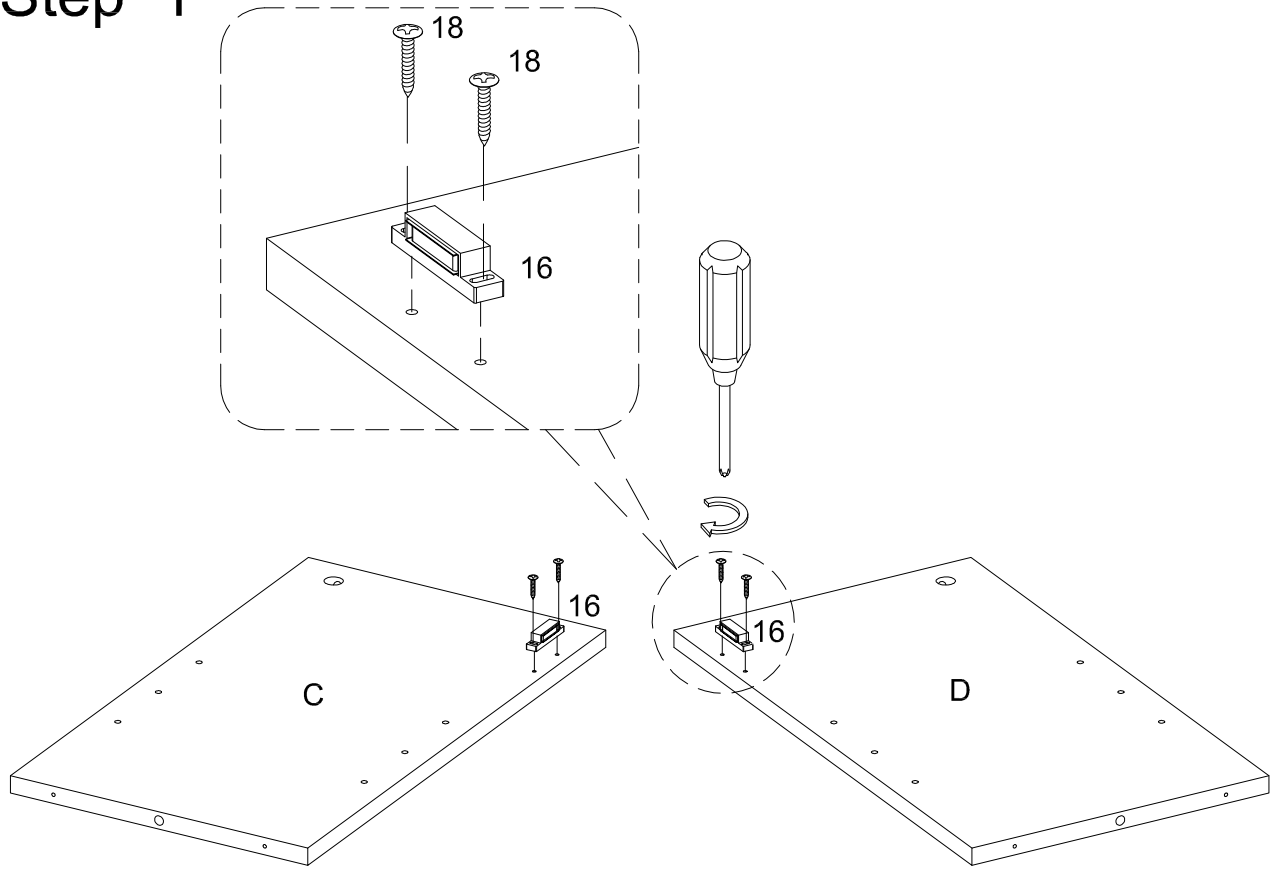
Philips head screwdriver required for assembly  
(not included)

## **BEFORE THE ASSEMBLY**

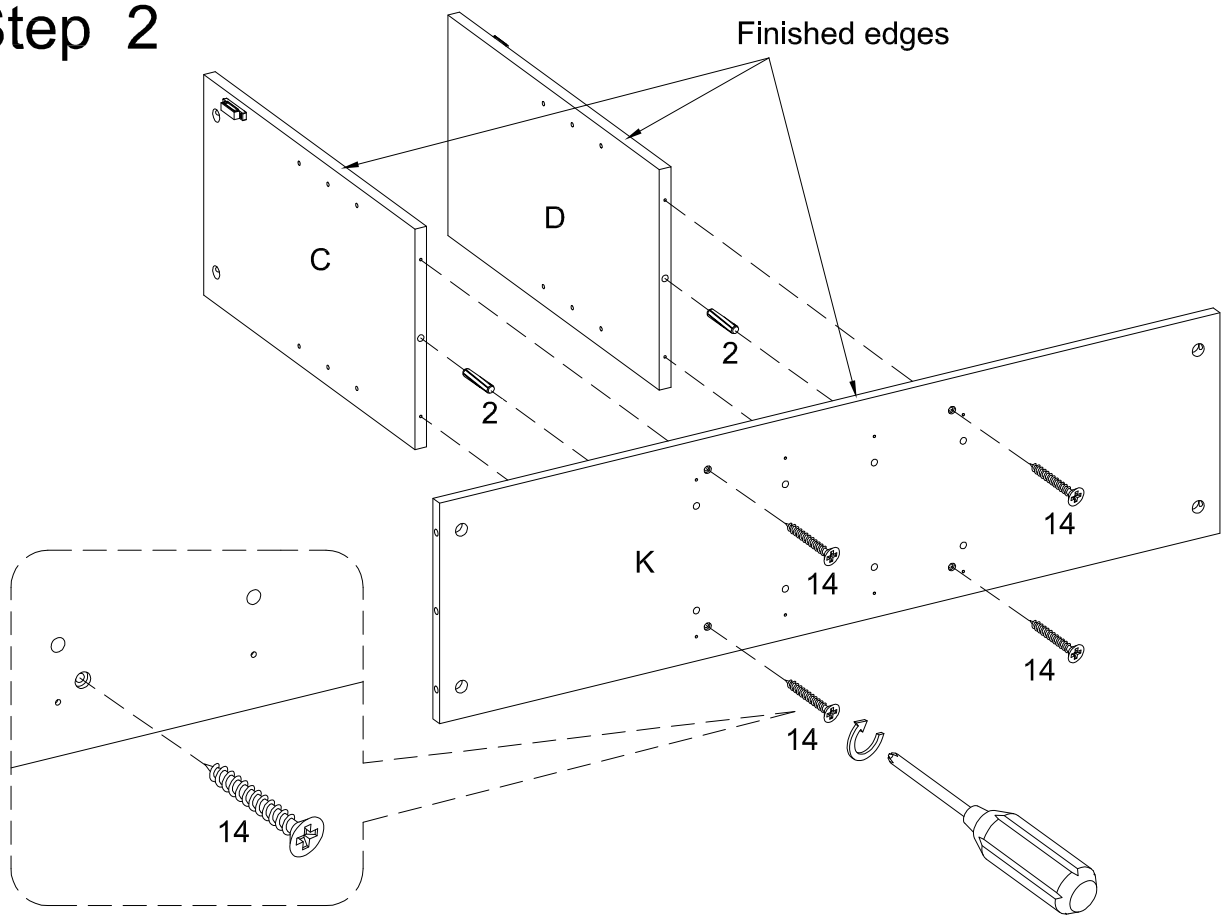
Note: Top should be used together with the Base. Top can not be used seperately.



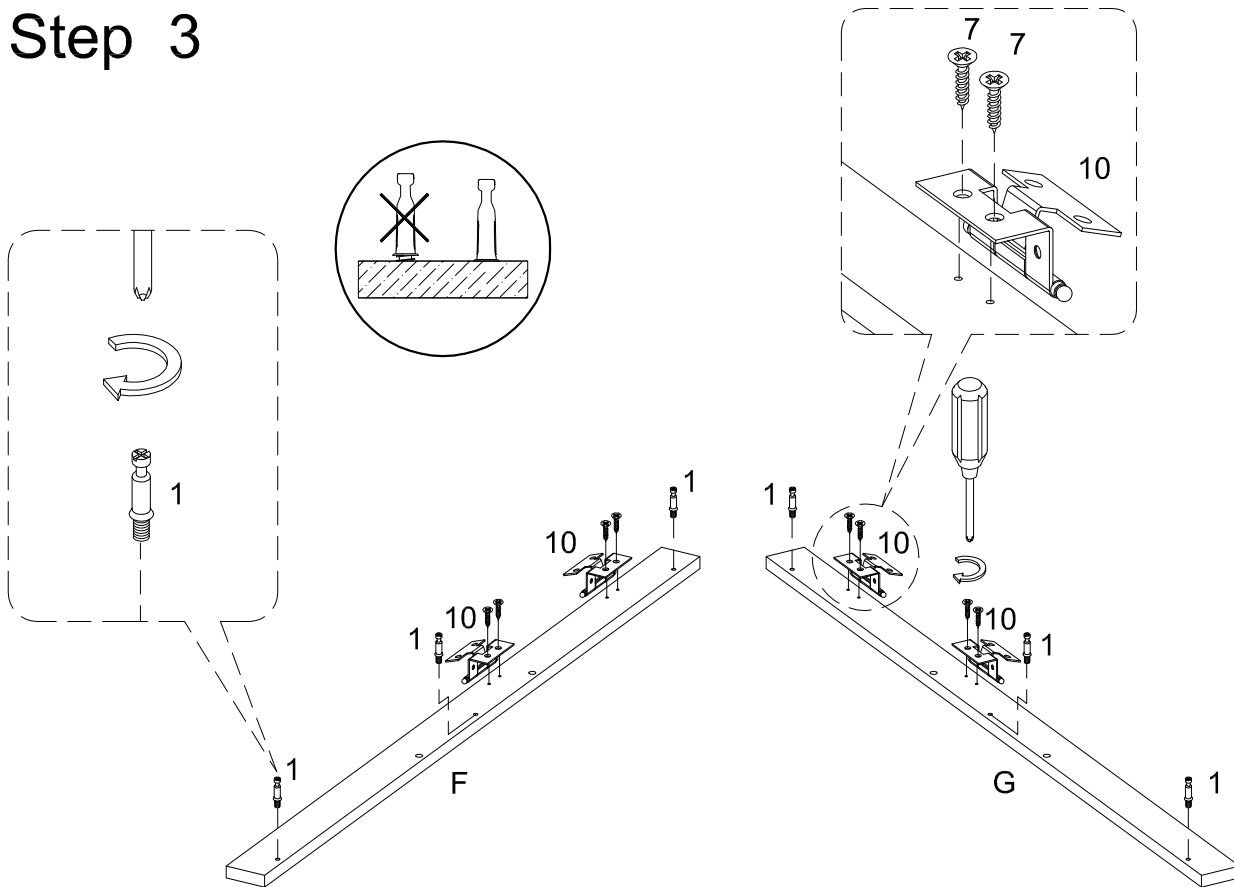
# Step 1



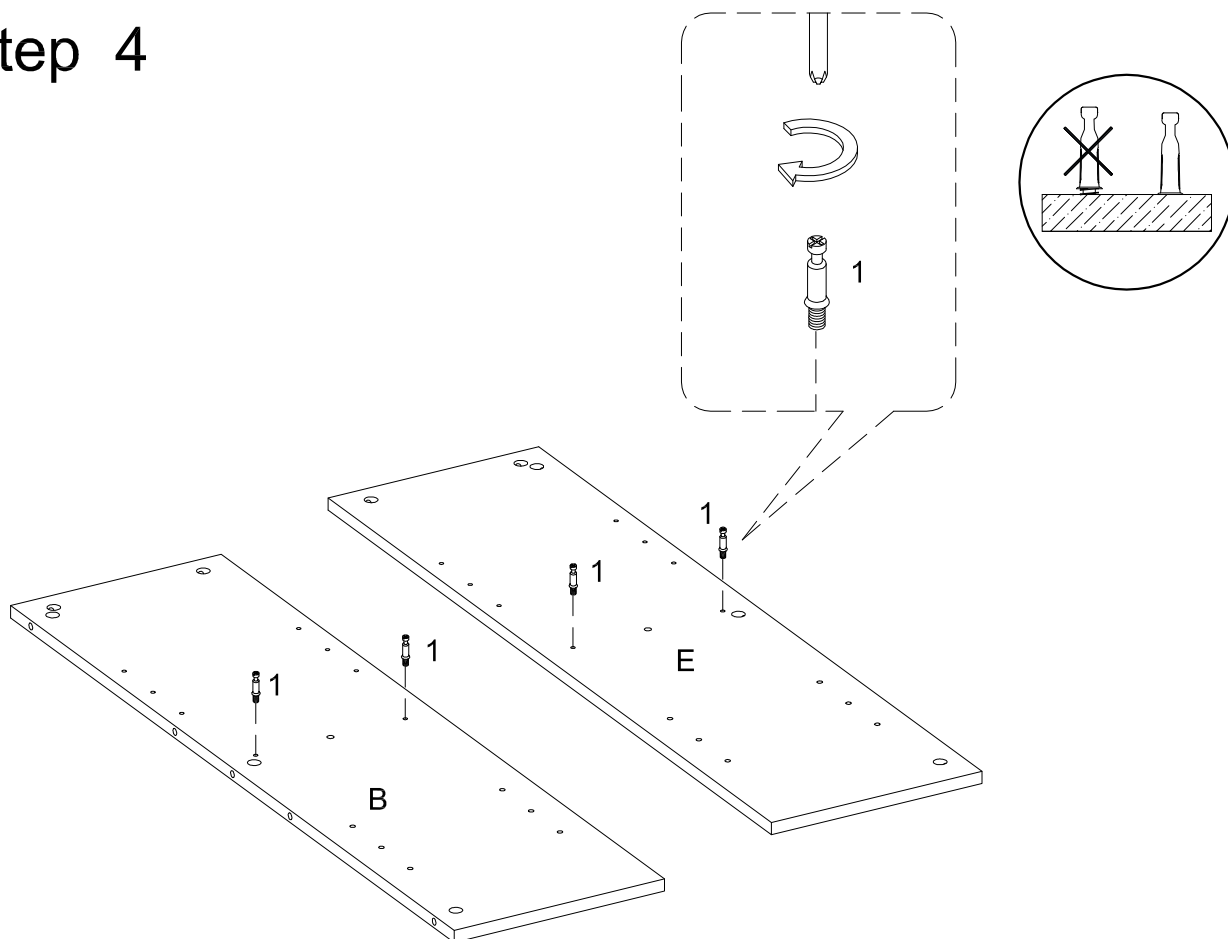
# Step 2



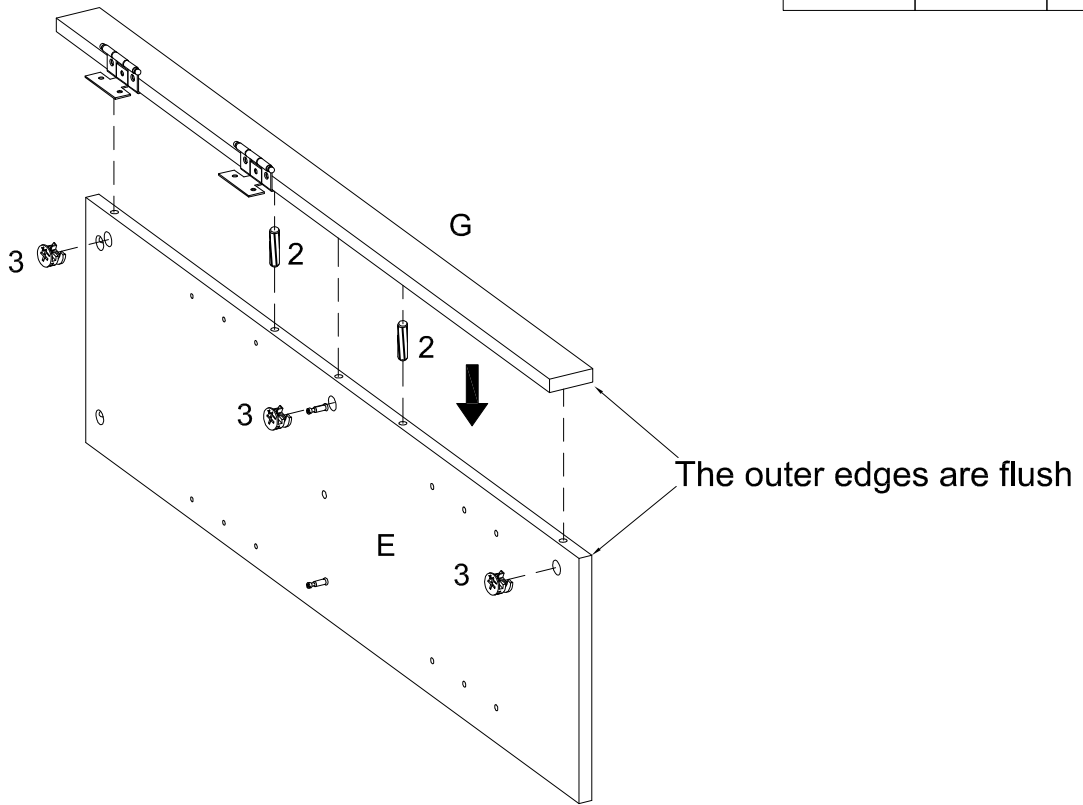
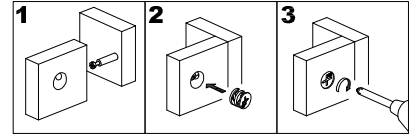
# Step 3



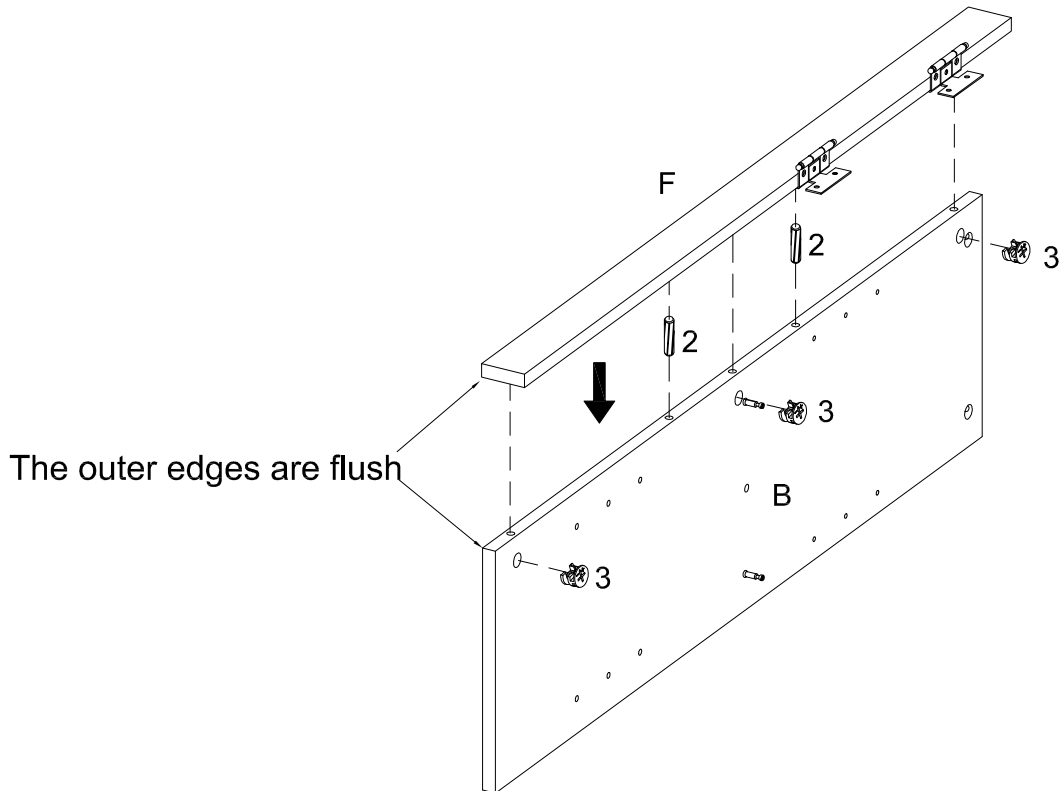
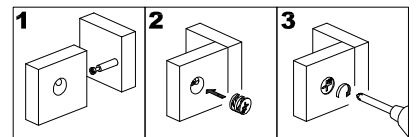
# Step 4



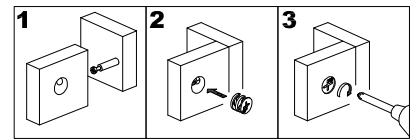
# Step 5



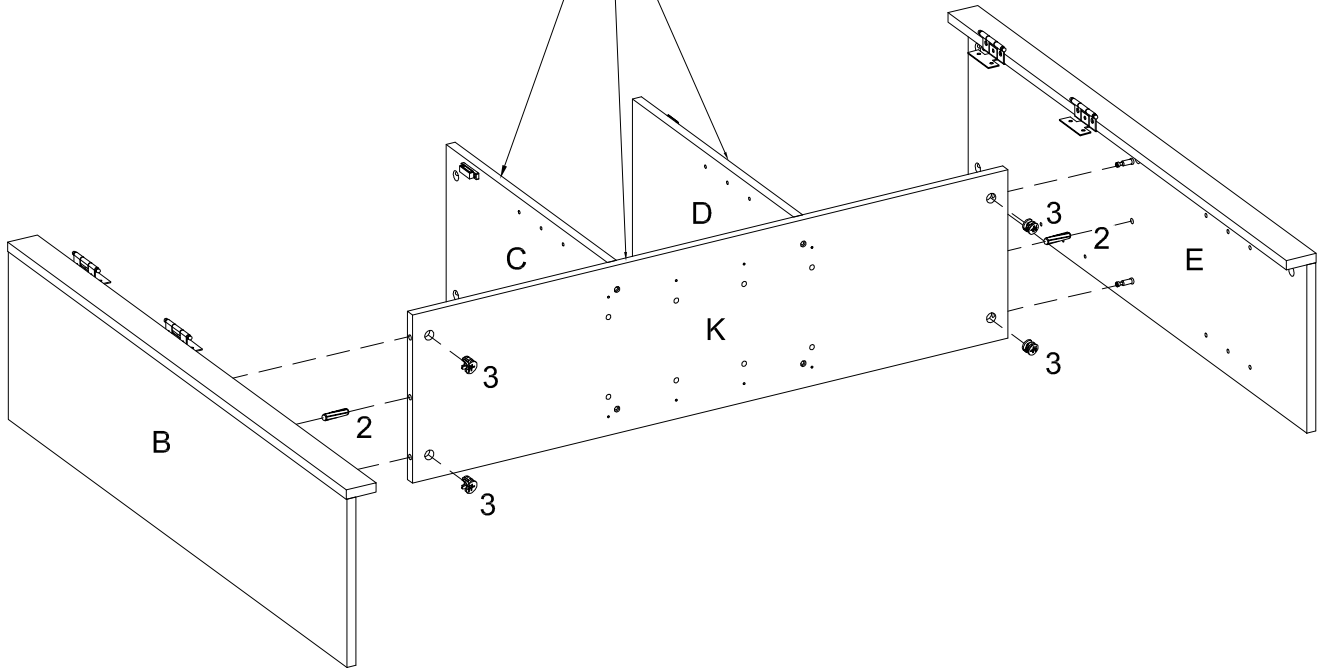
# Step 6



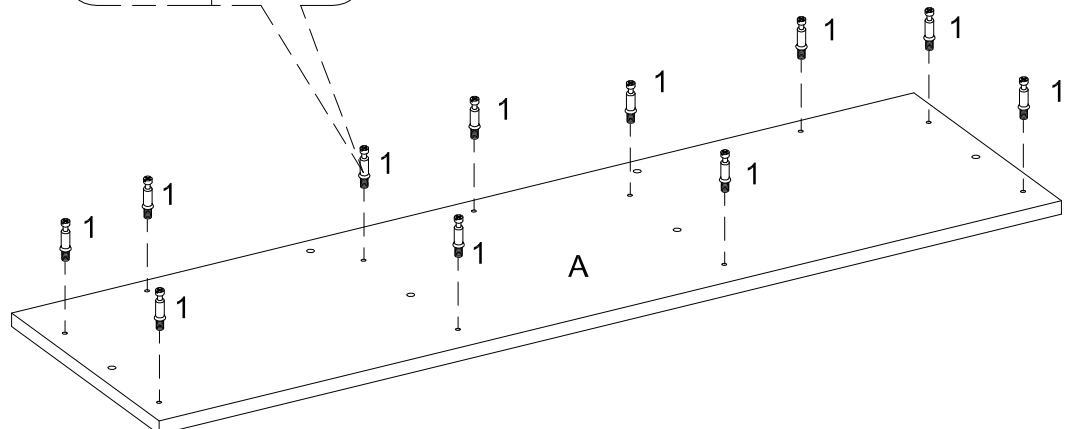
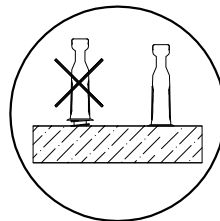
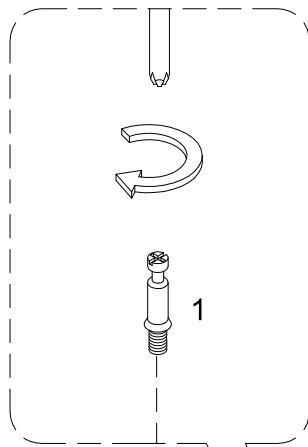
# Step 7



Finished edges

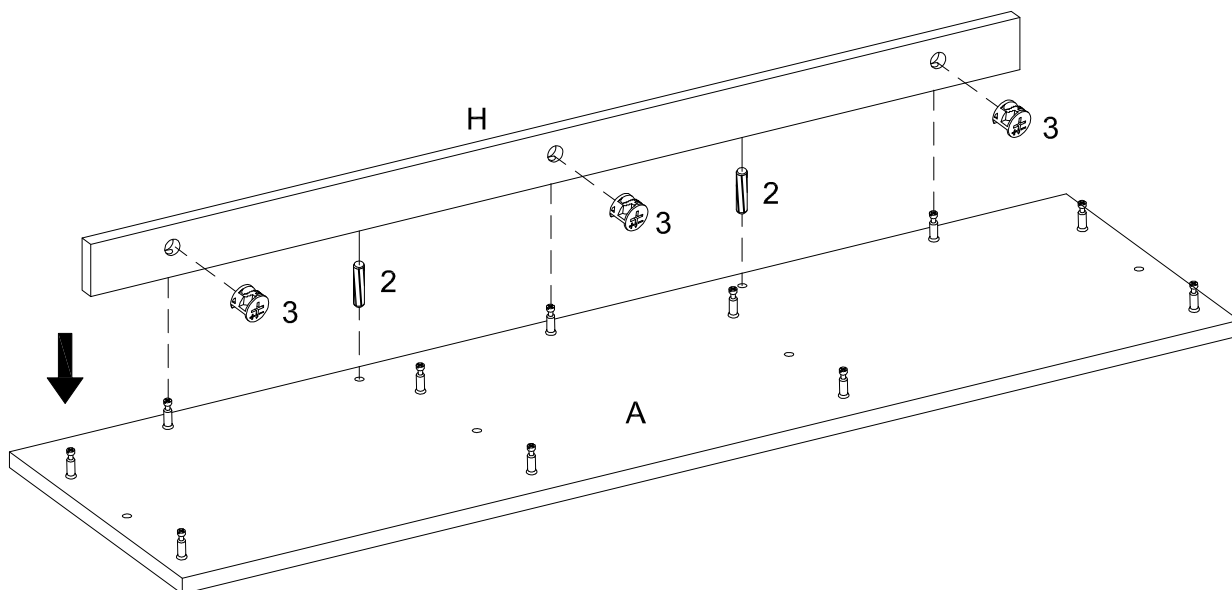
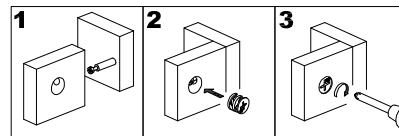


# Step 8

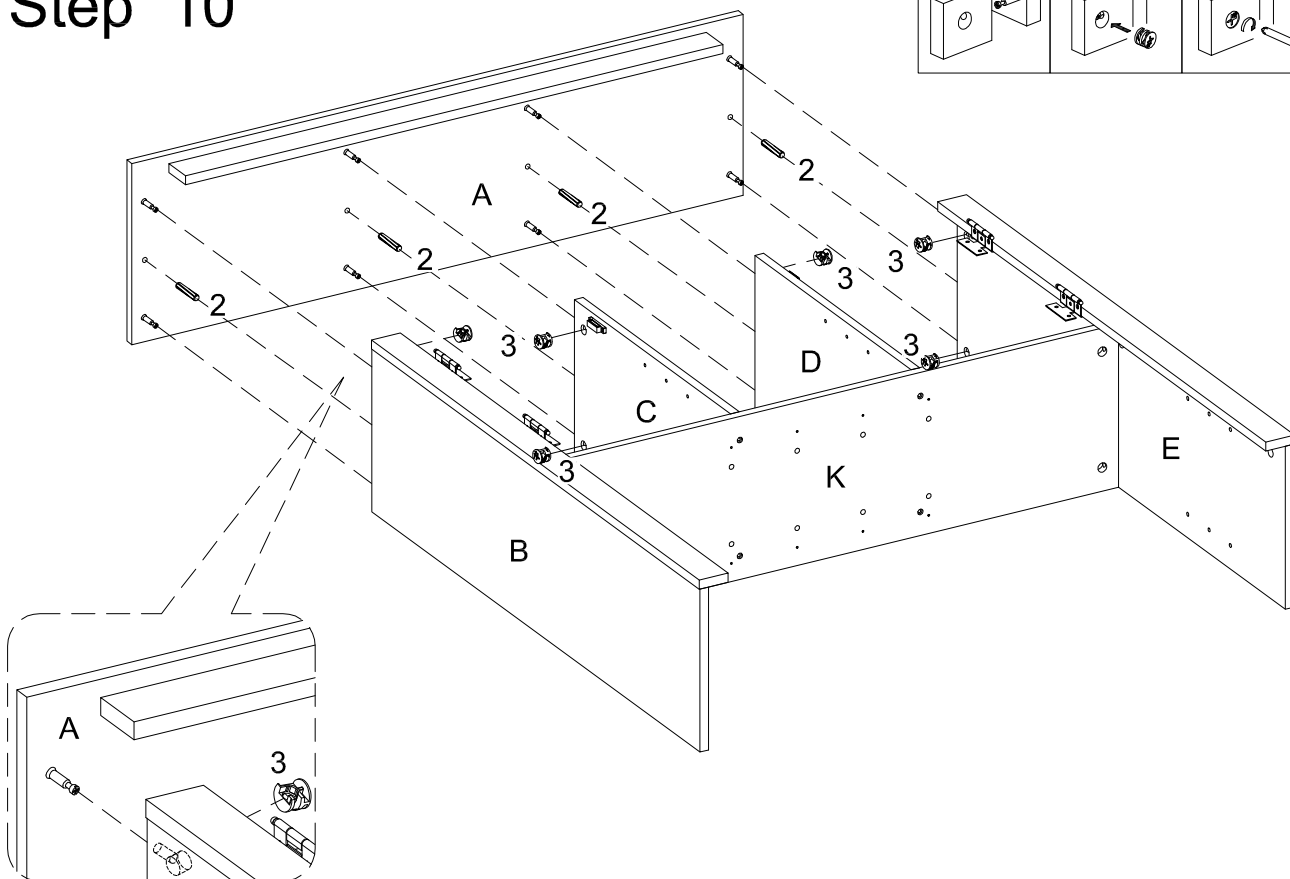
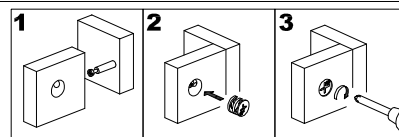




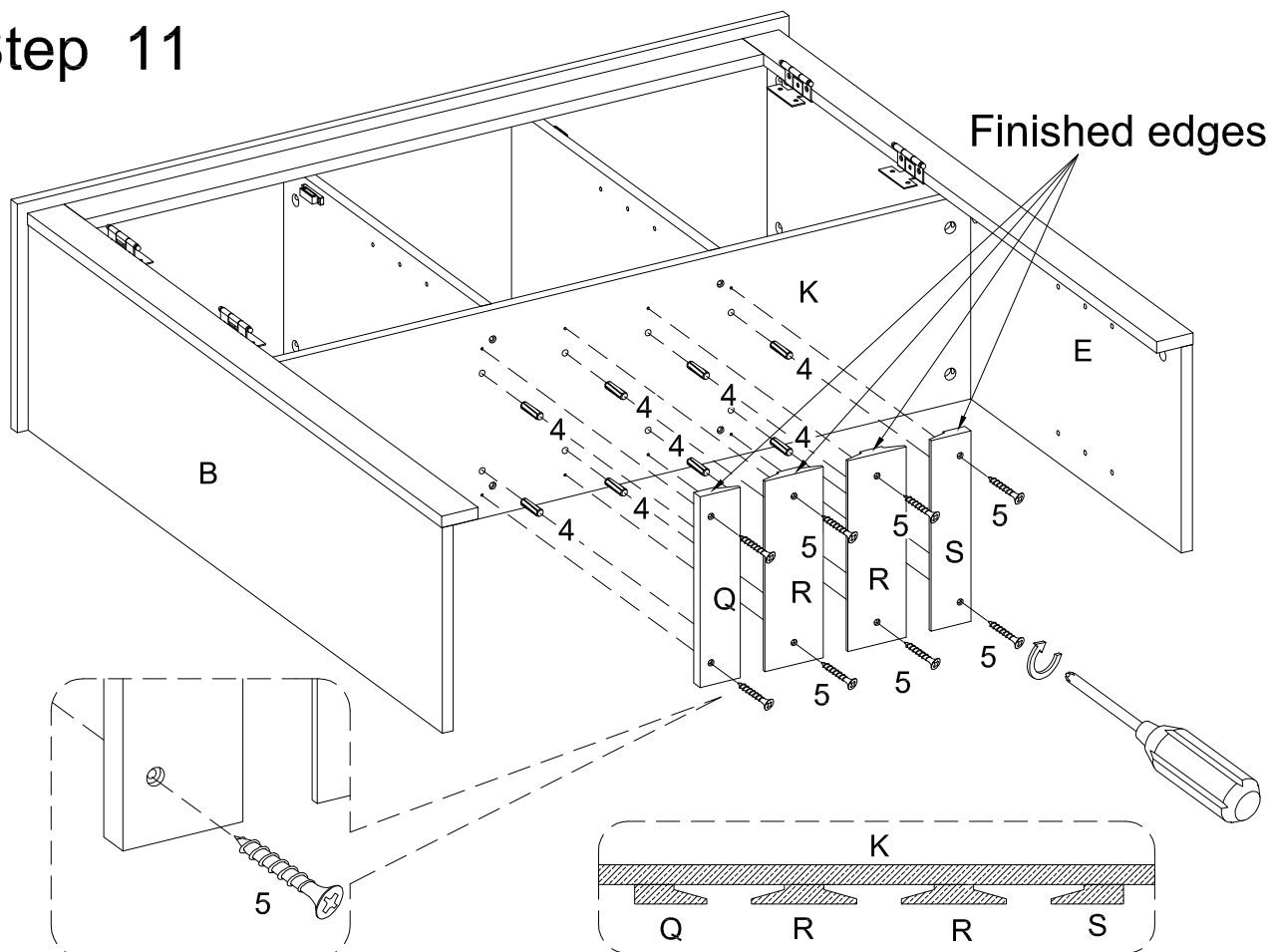
# Step 9



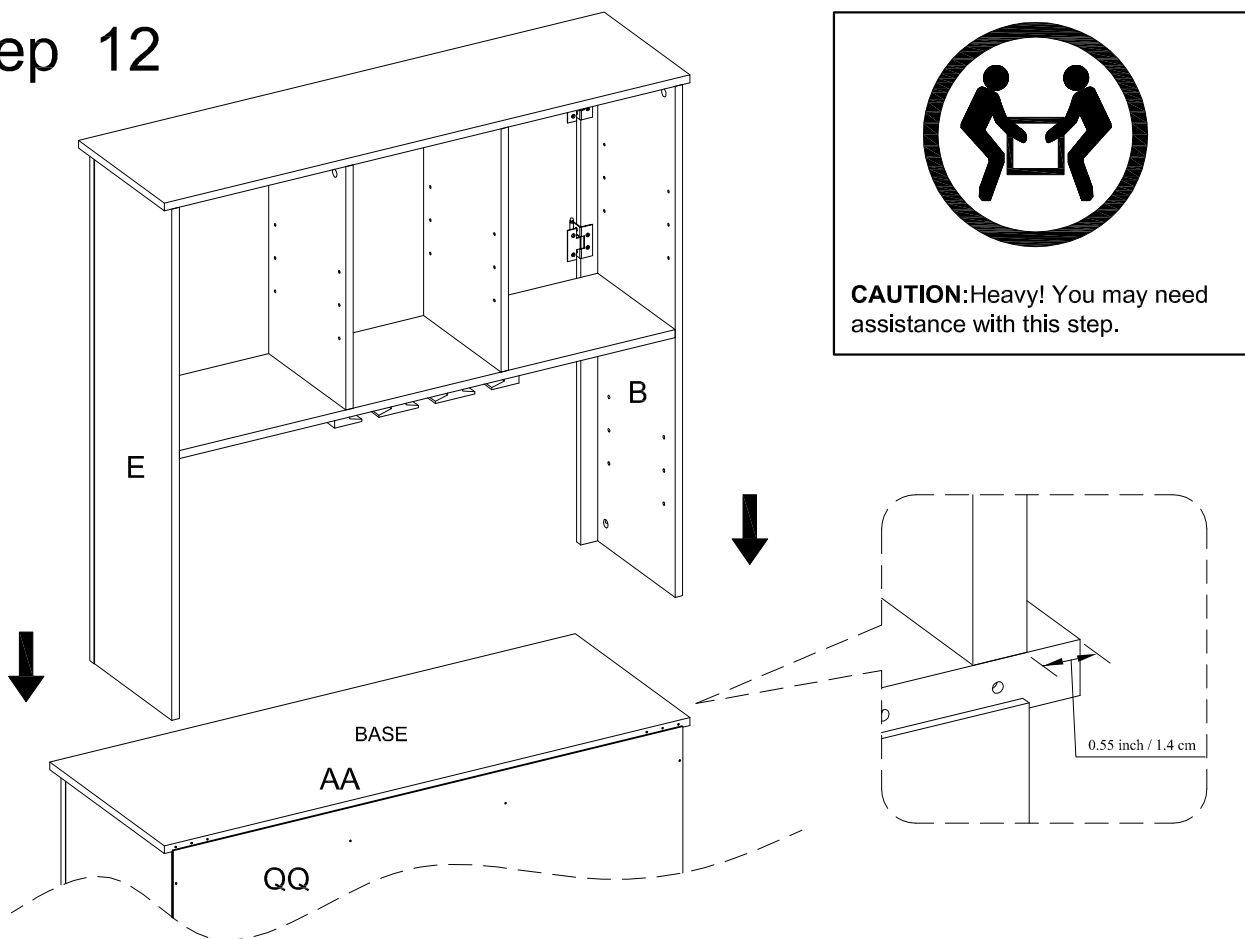
# Step 10



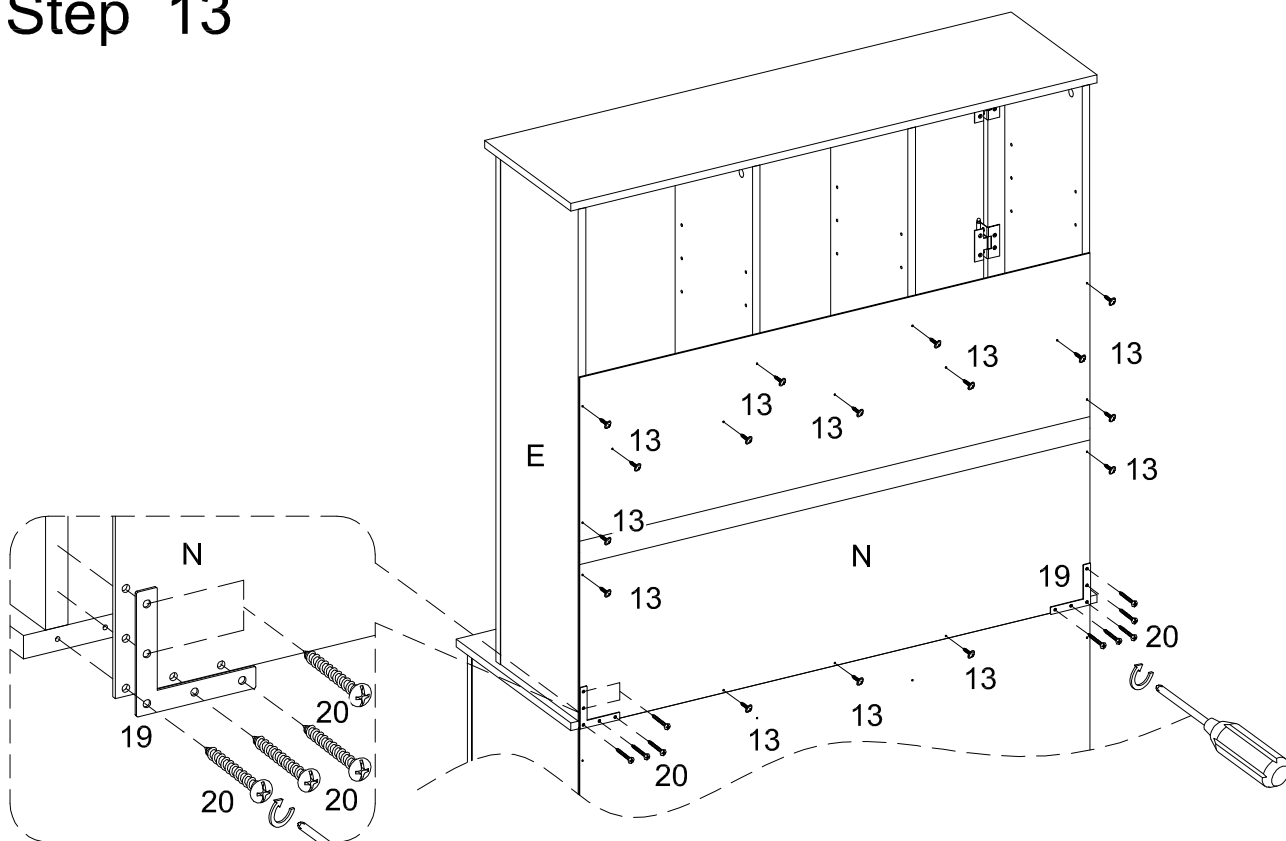
# Step 11



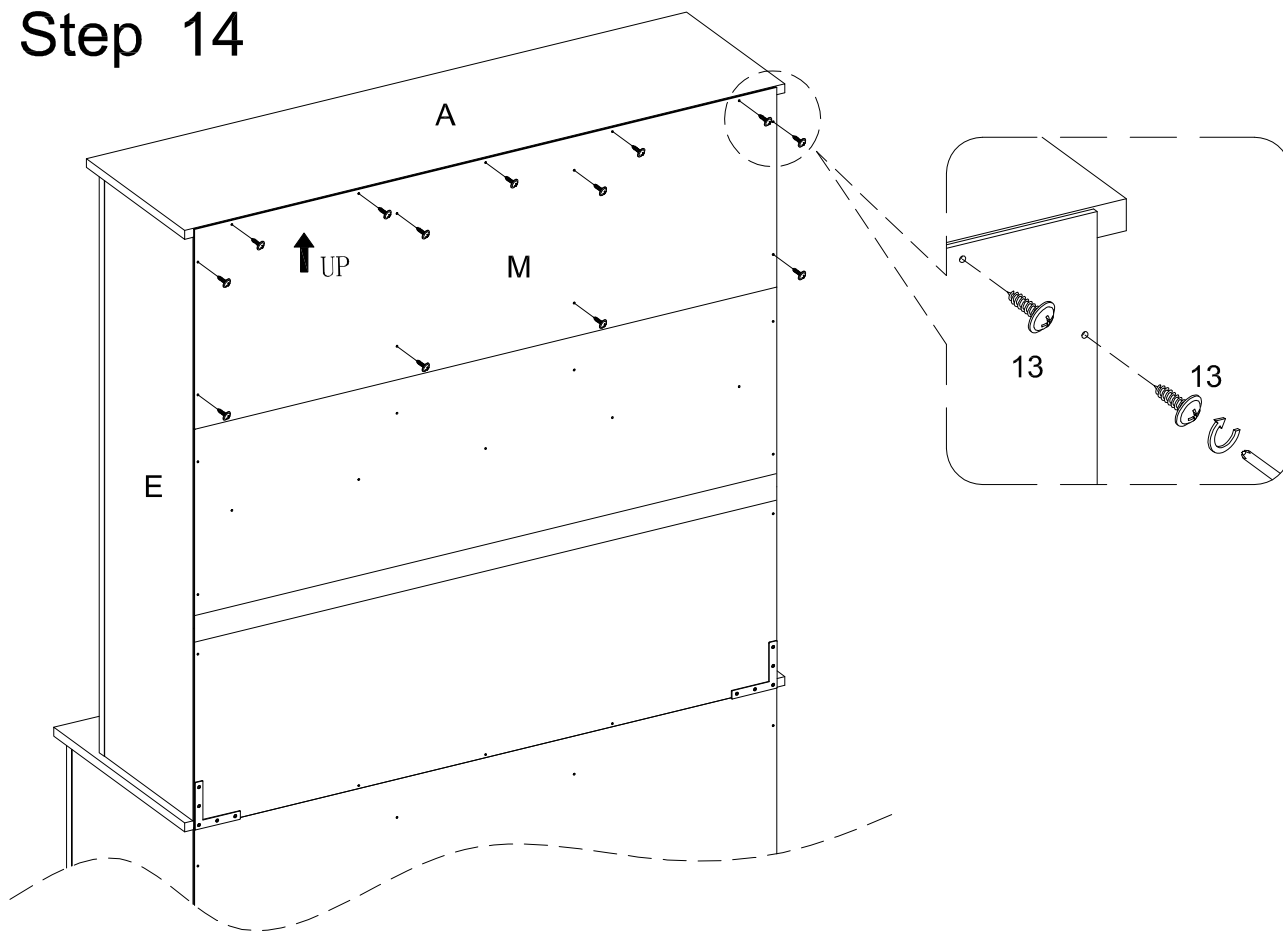
# Step 12



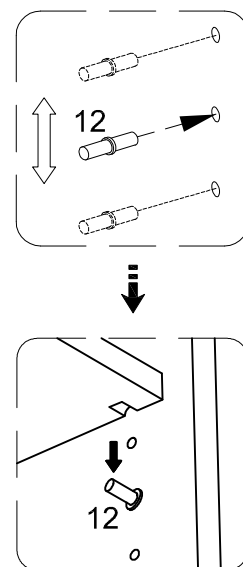
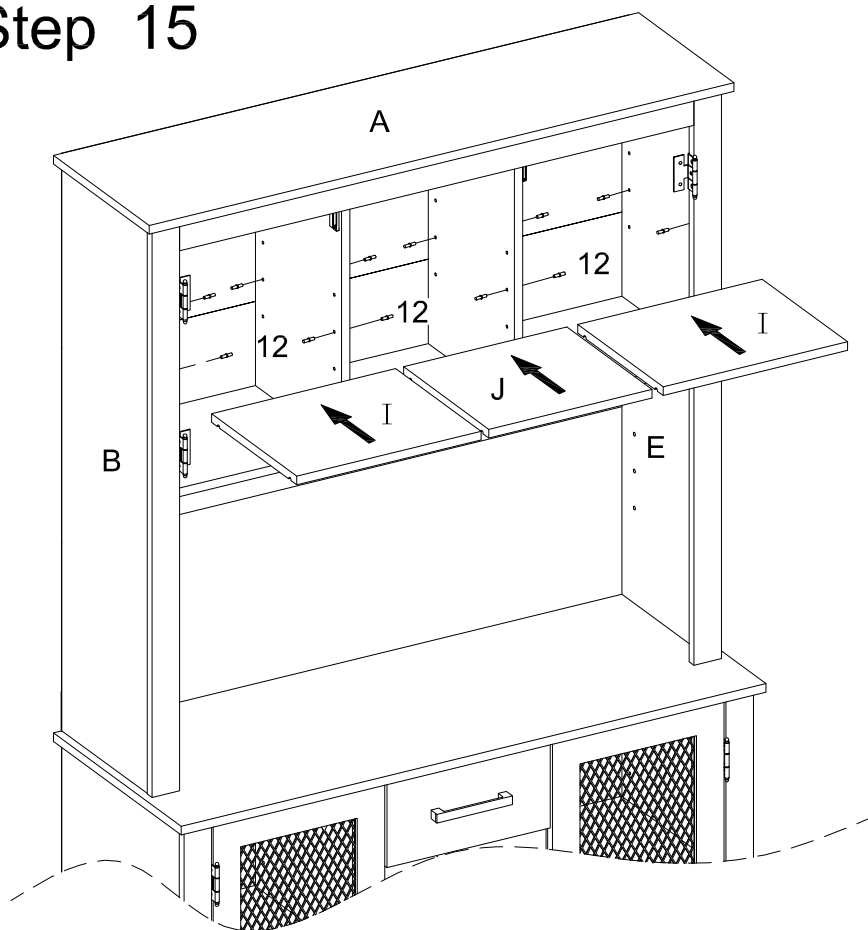
# Step 13



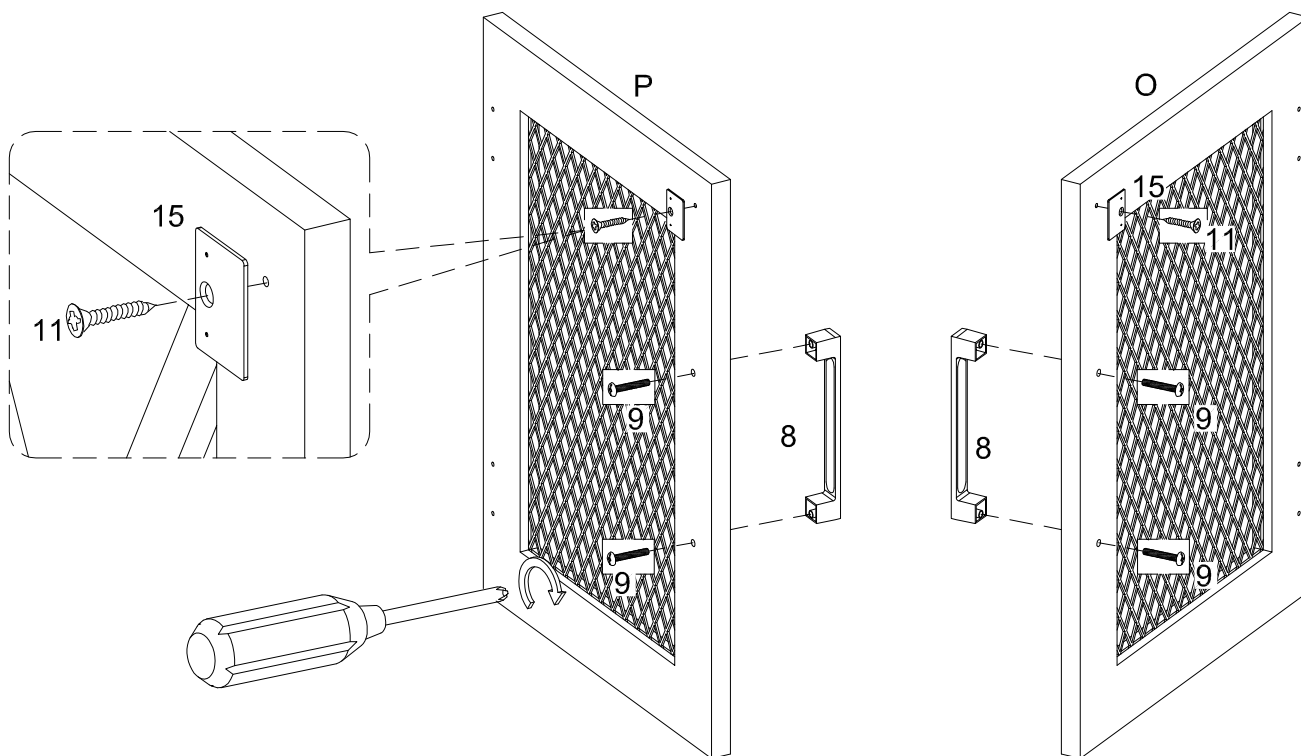
# Step 14



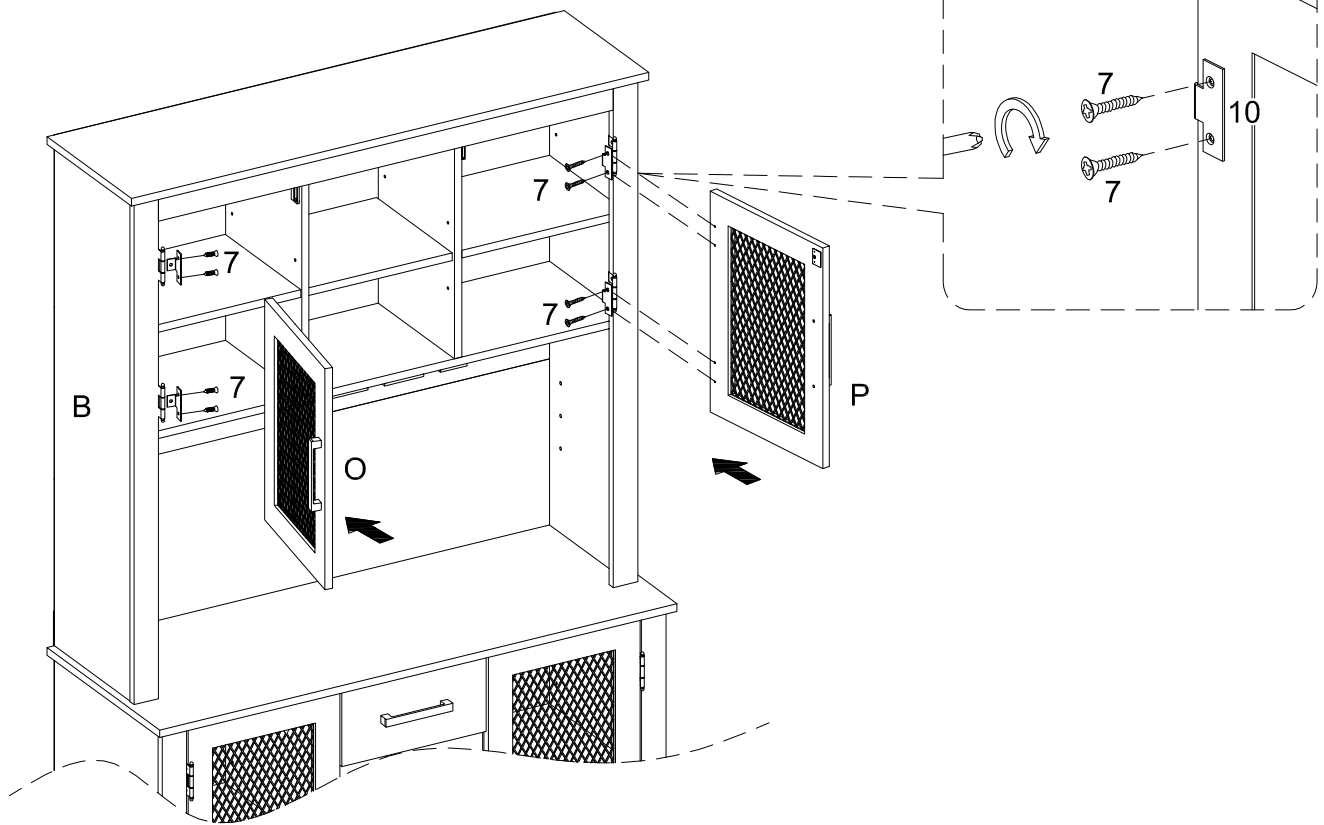
# Step 15



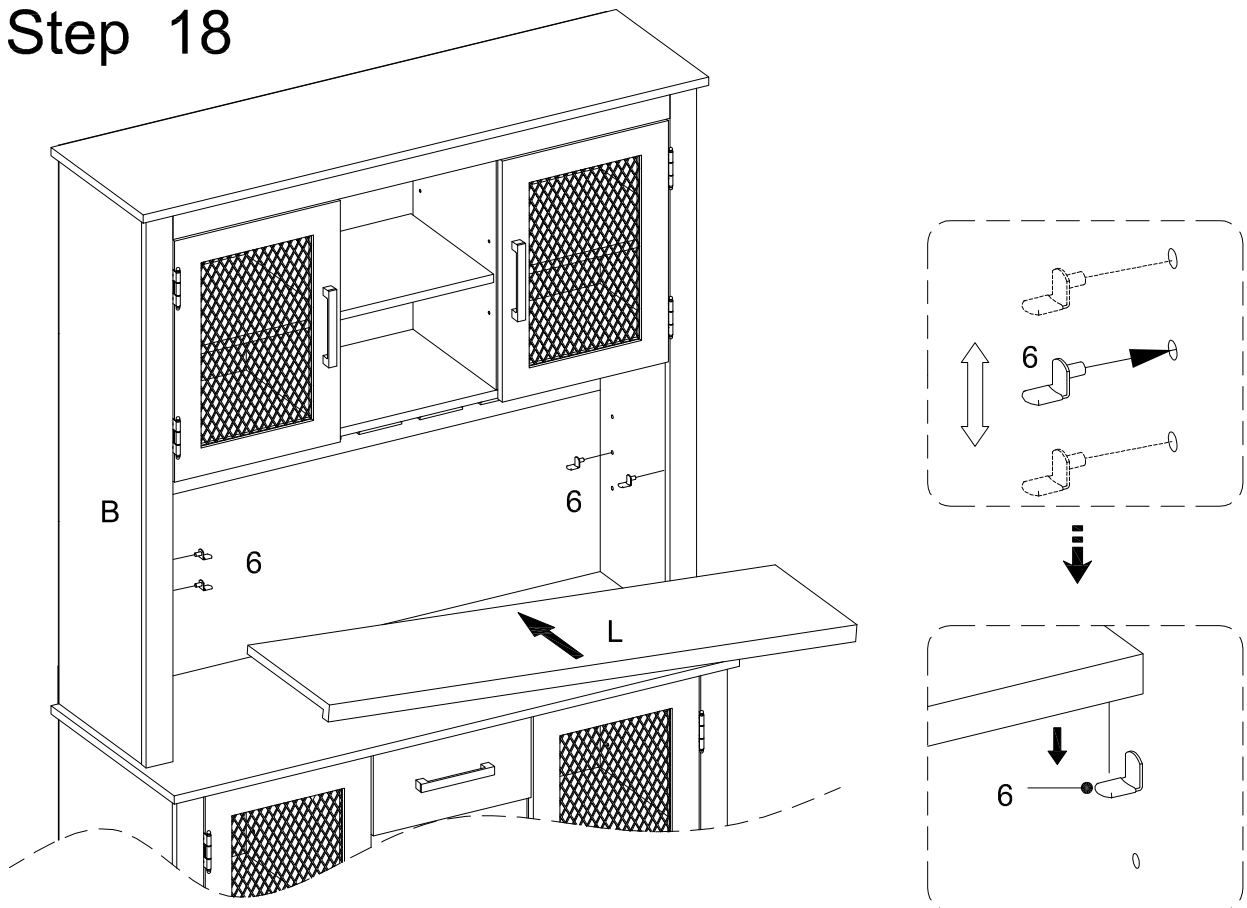
# Step 16



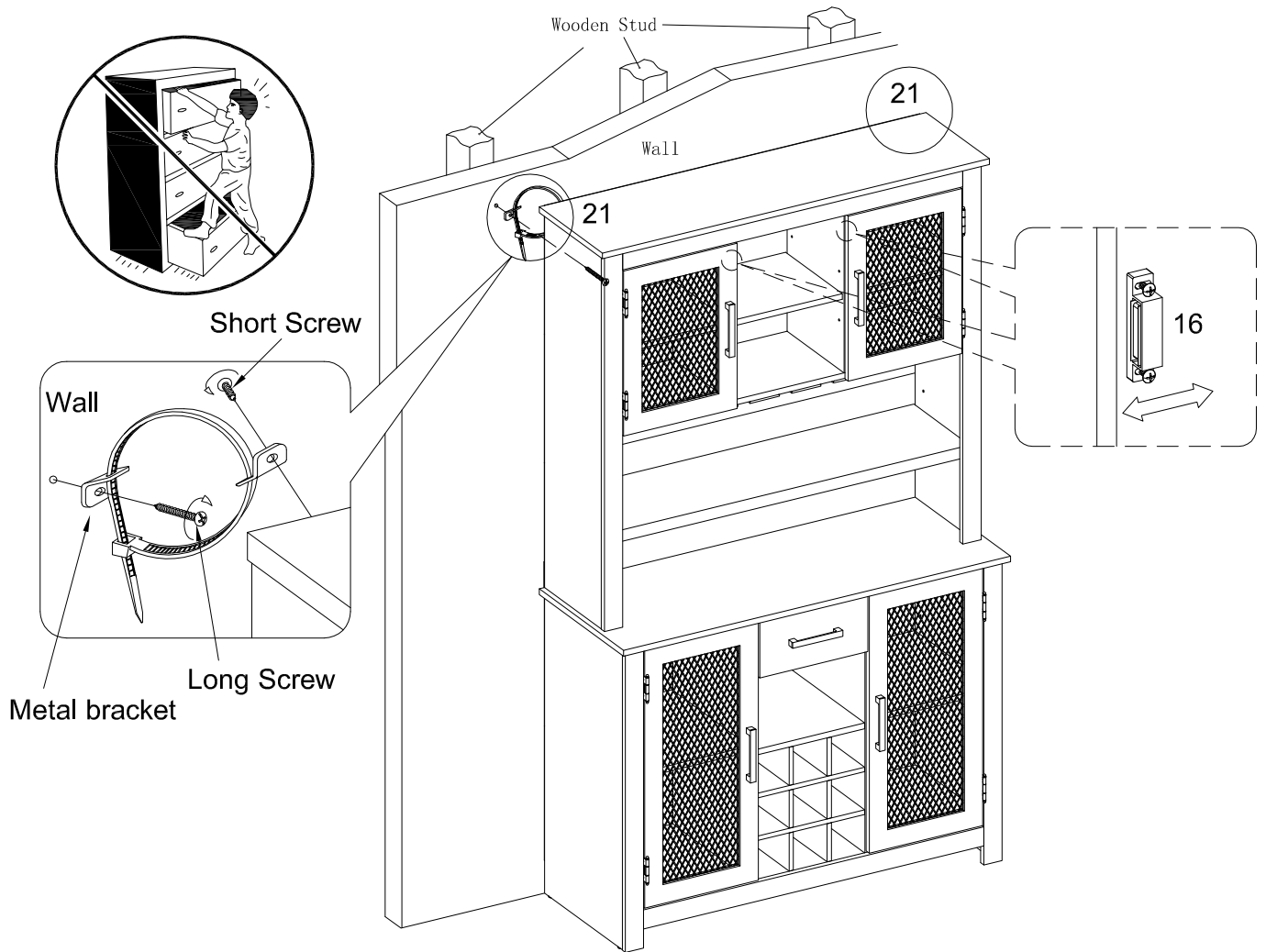
# Step 17



# Step 18



# Step 19



WARNING: ALL SCREWS MUST BE TIGHTENED!