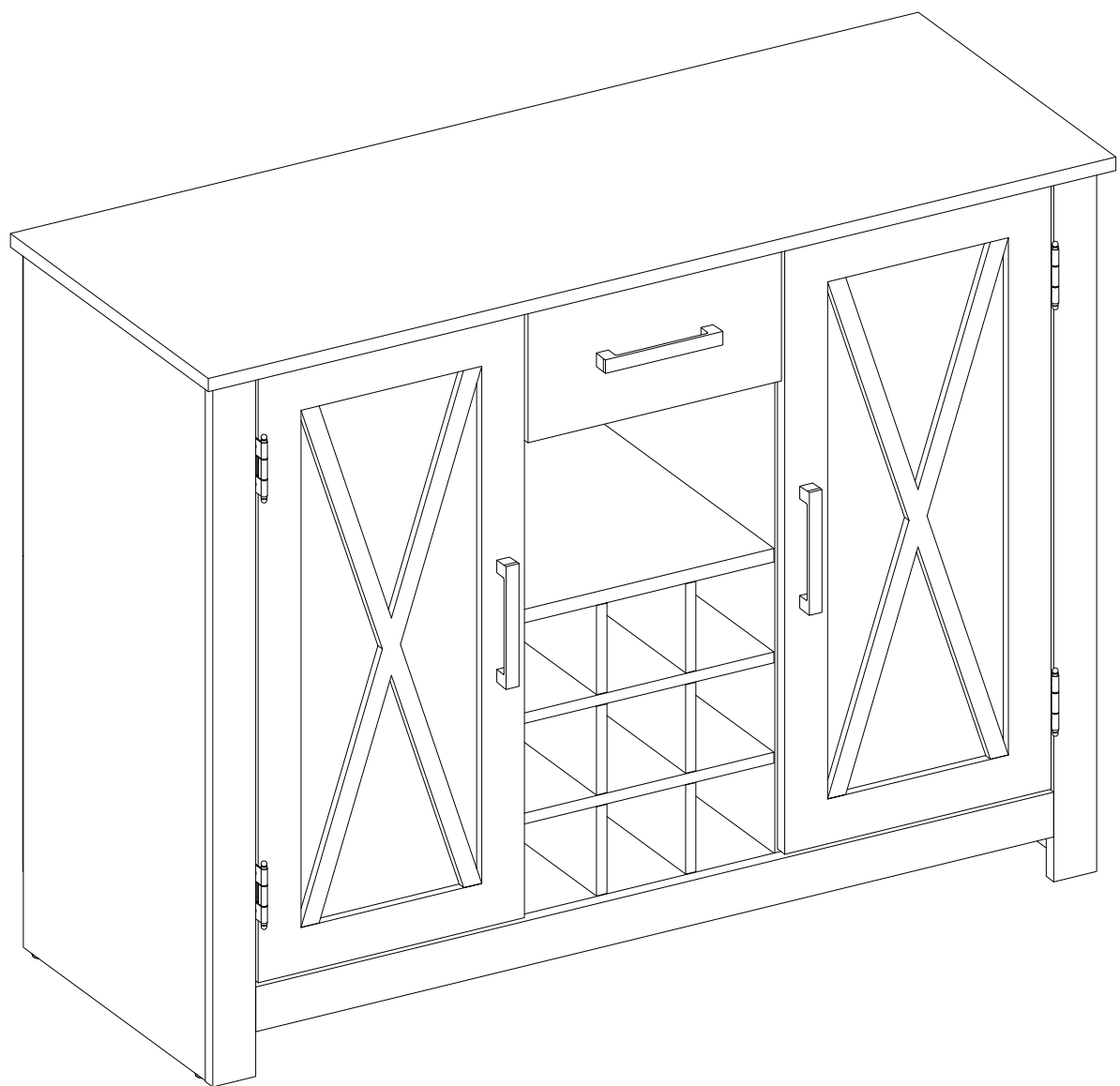


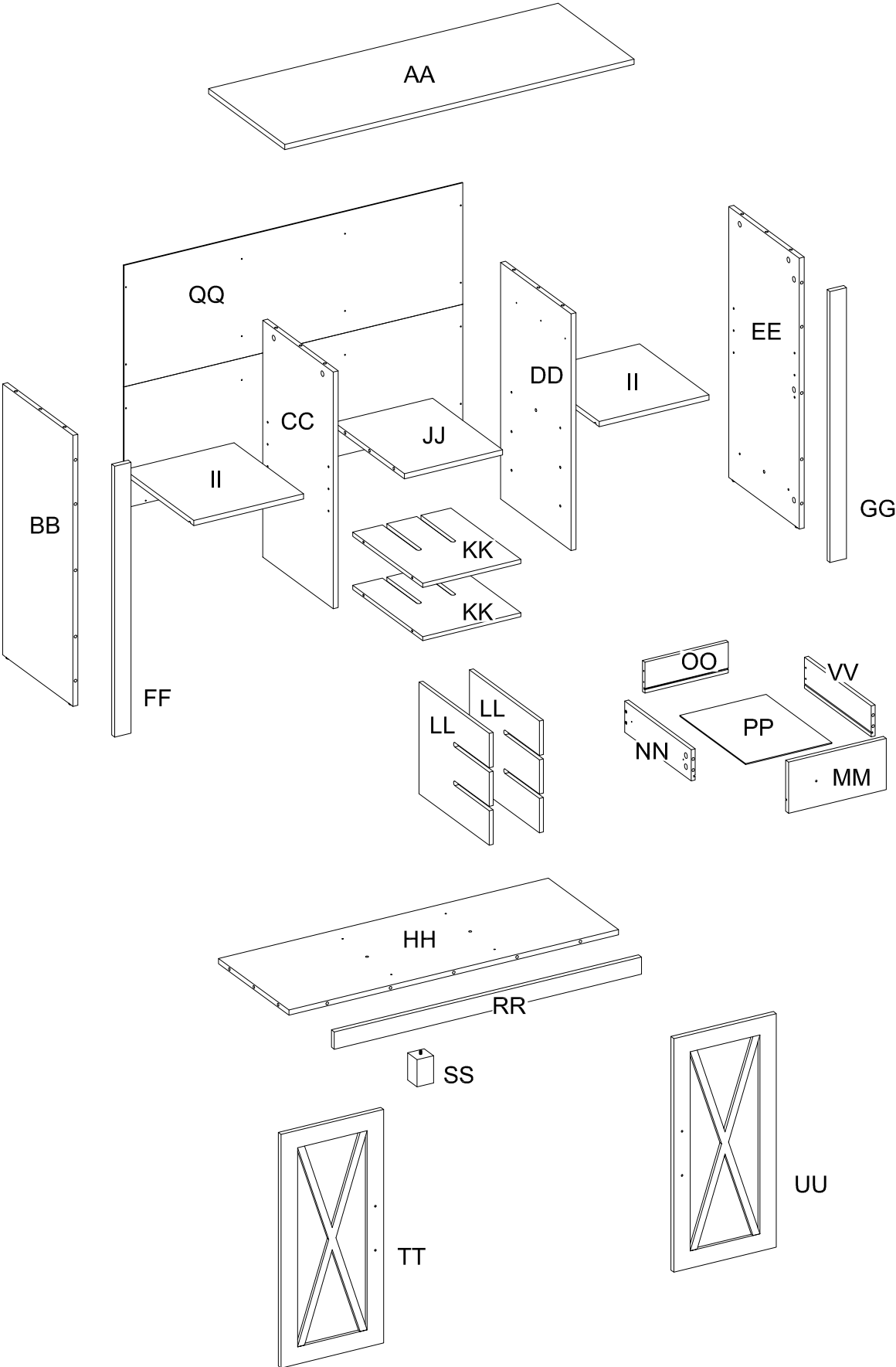
HOME SOURCE[®]

ASSEMBLY INSTRUCTION

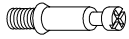





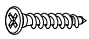


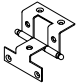
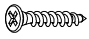




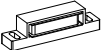


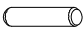

MODEL: JZ66-BASE

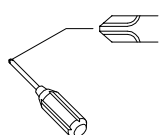


Parts List



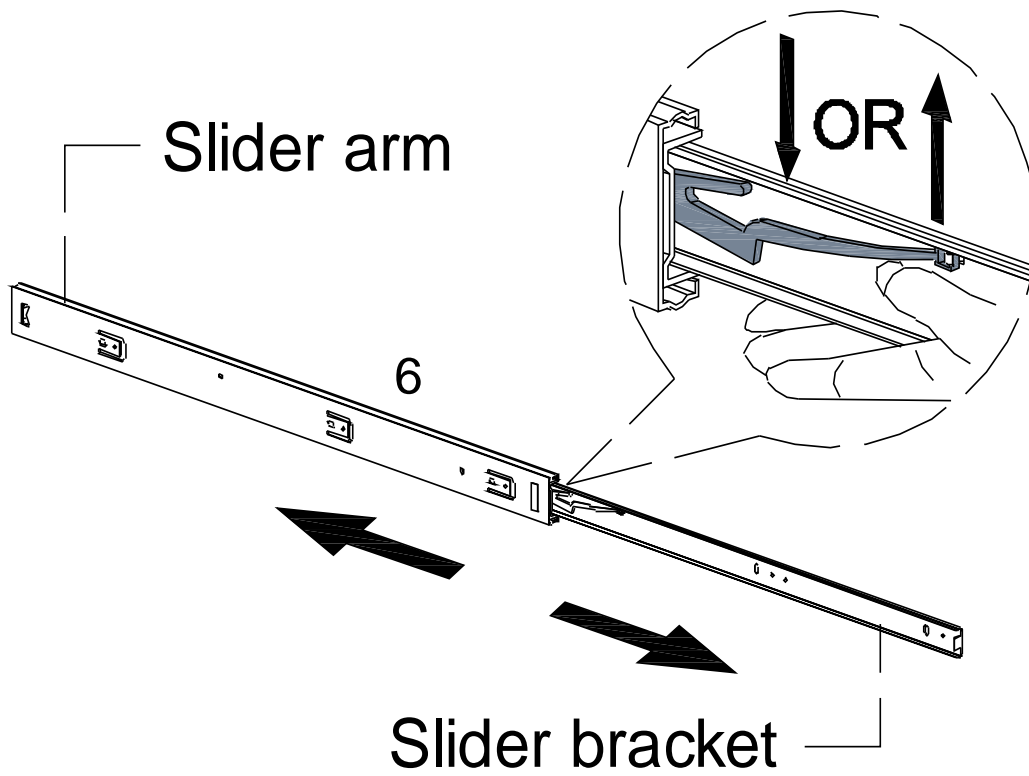
Hardware List

1		Ø6x35mm	Cam bolt	29 pcs
2		Ø8x30mm	Wood dowel	16 pcs
3		Ø15x11mm	Cam lock	25 pcs
4		Ø15x9mm	Small cam lock	4 pcs
5		Ø4x32mm	Fast screw	4 pcs
6			Drawer slider	1 set
7		Ø3.5x12mm	Screw	28 pcs
8			Handle	3 pcs
9		Ø4x22mm	Handle bolt	6 pcs
10			Door hinge	4 pcs
11		Ø3x12mm	Screw	2 pcs
12			Support pin	8 pcs
13			Screw	21 pcs
14		Ø4x44mm	Fast screw	4 pcs
15			Magnetic piece	2 pcs
16			Magnetic catch	2 pcs
17			Glue	1 pcs
18		Ø3x15mm	Screw	4 pcs
19		Ø6x30mm	Wood dowel	8 pcs
20		M4mm	Hexagon socket key	1 pcs

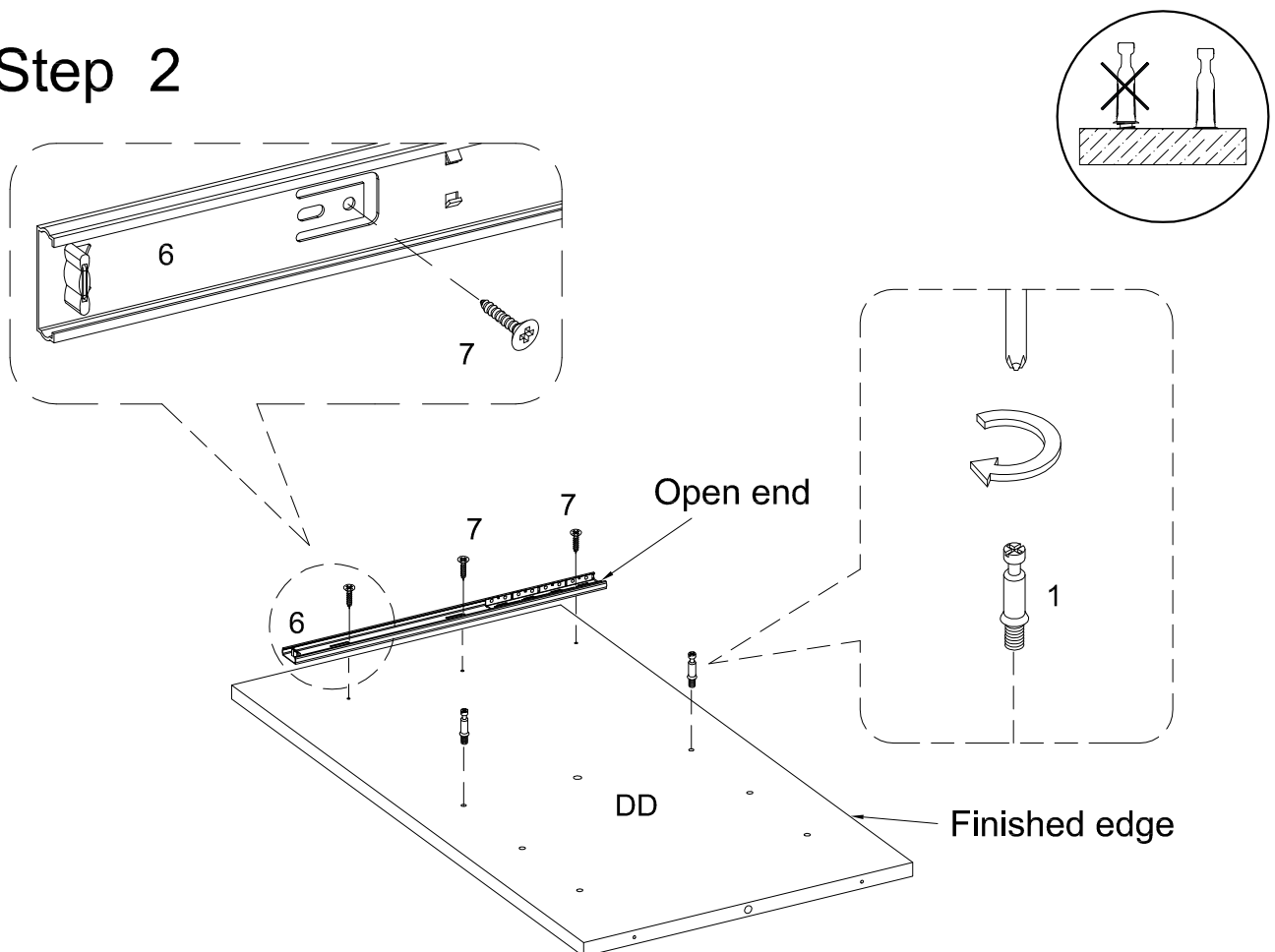


Philips head screwdriver required for assembly
(not included)

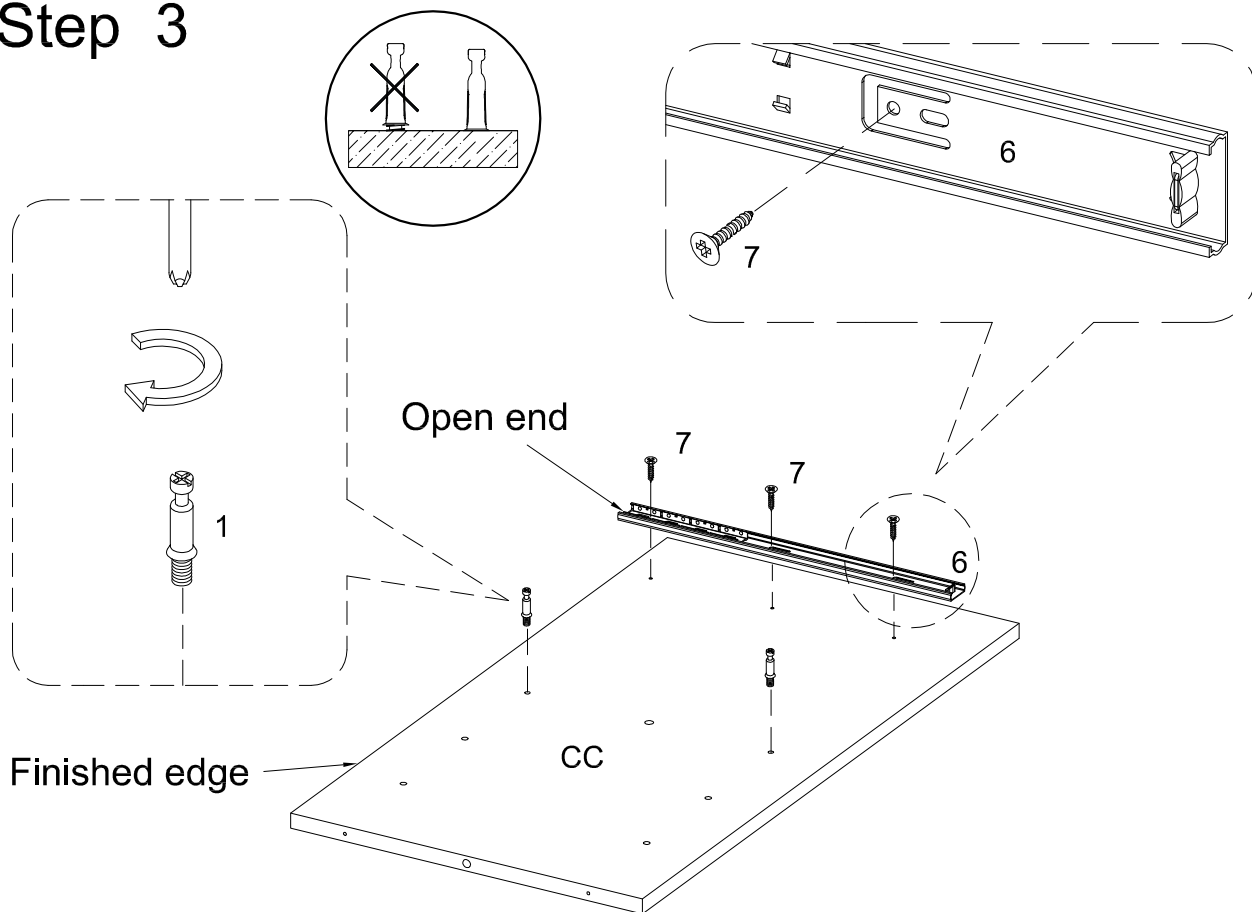
Step 1



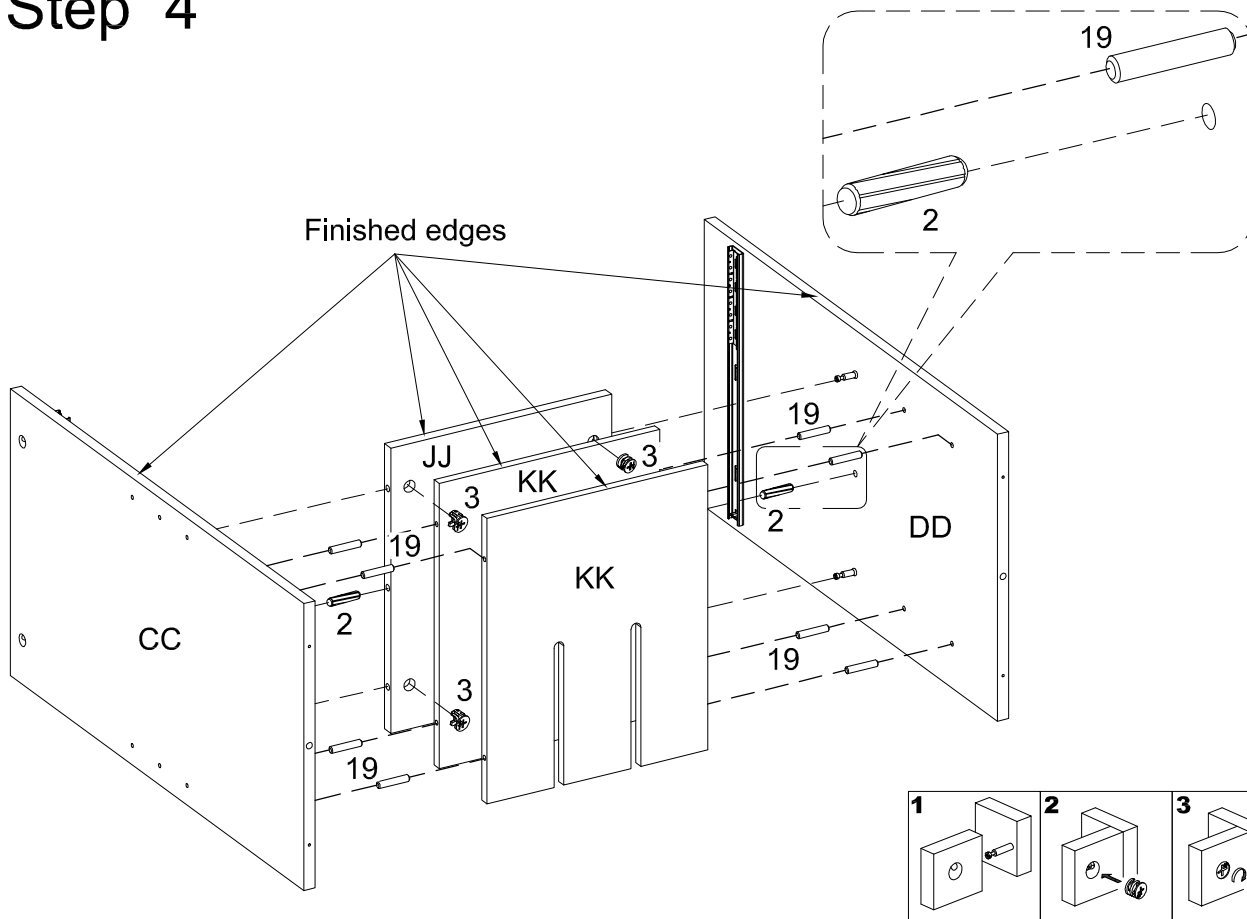
Step 2



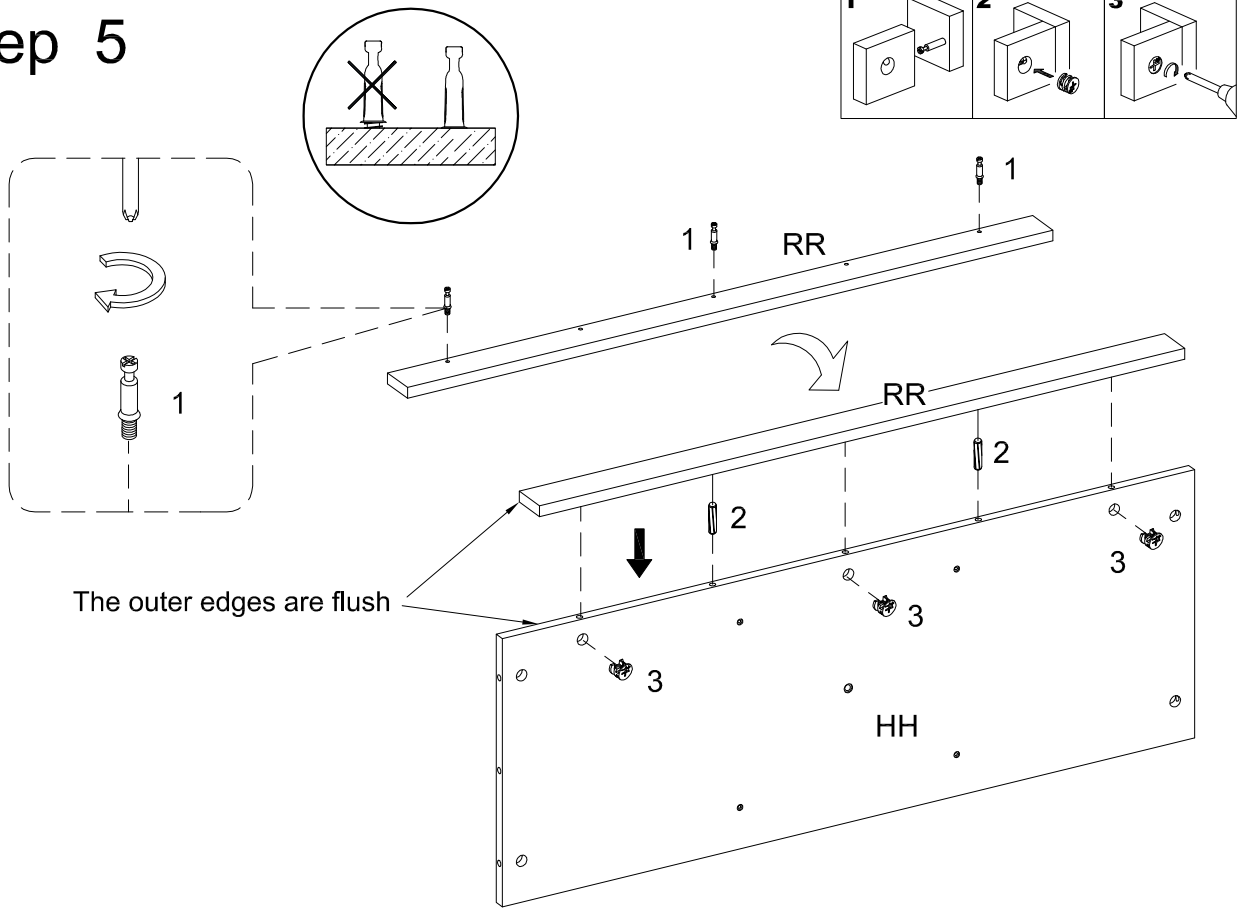
Step 3



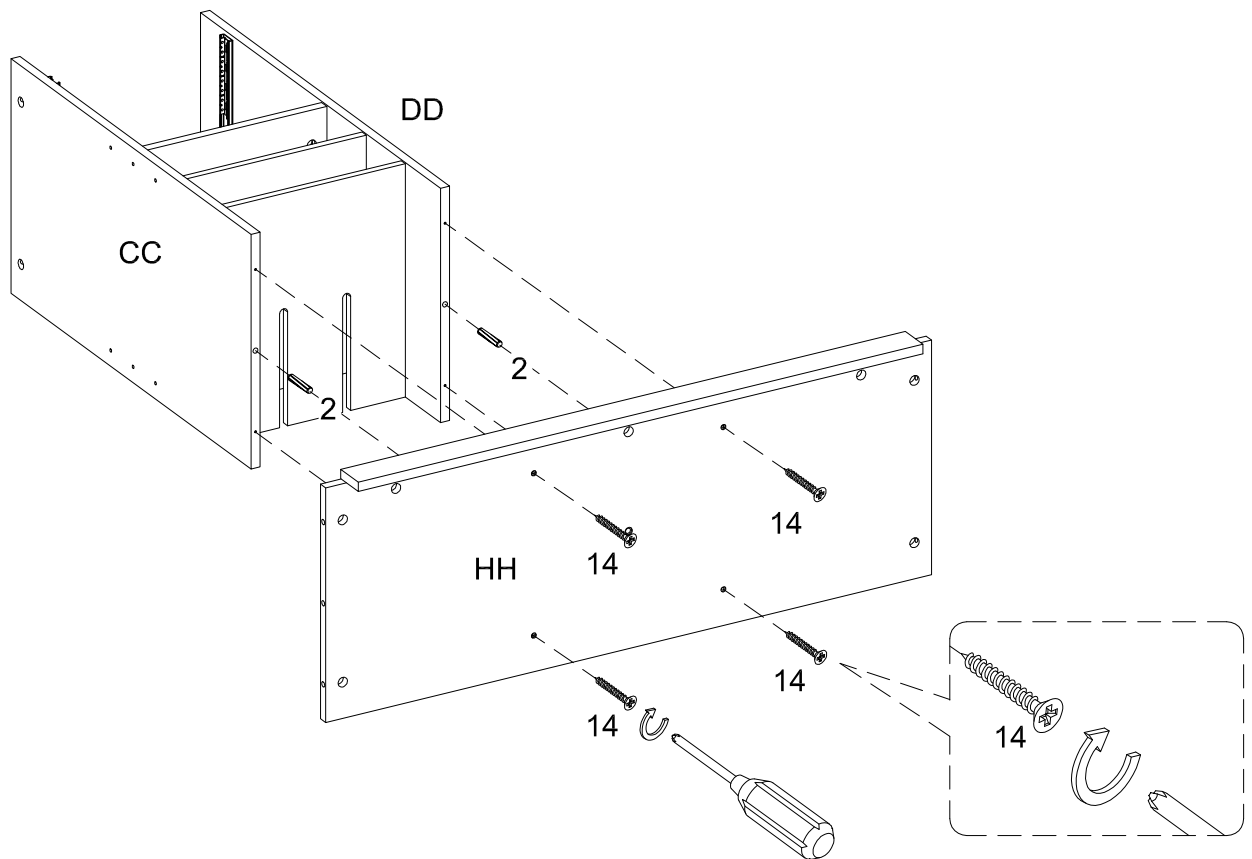
Step 4



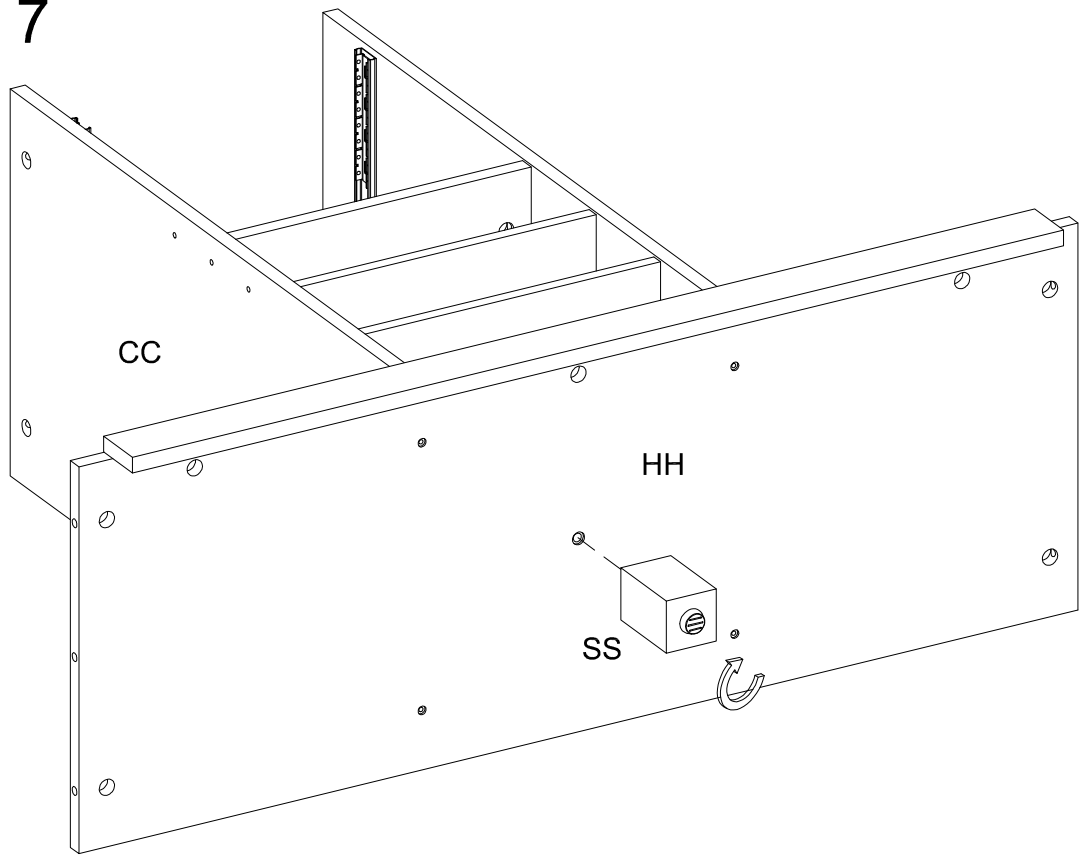
Step 5



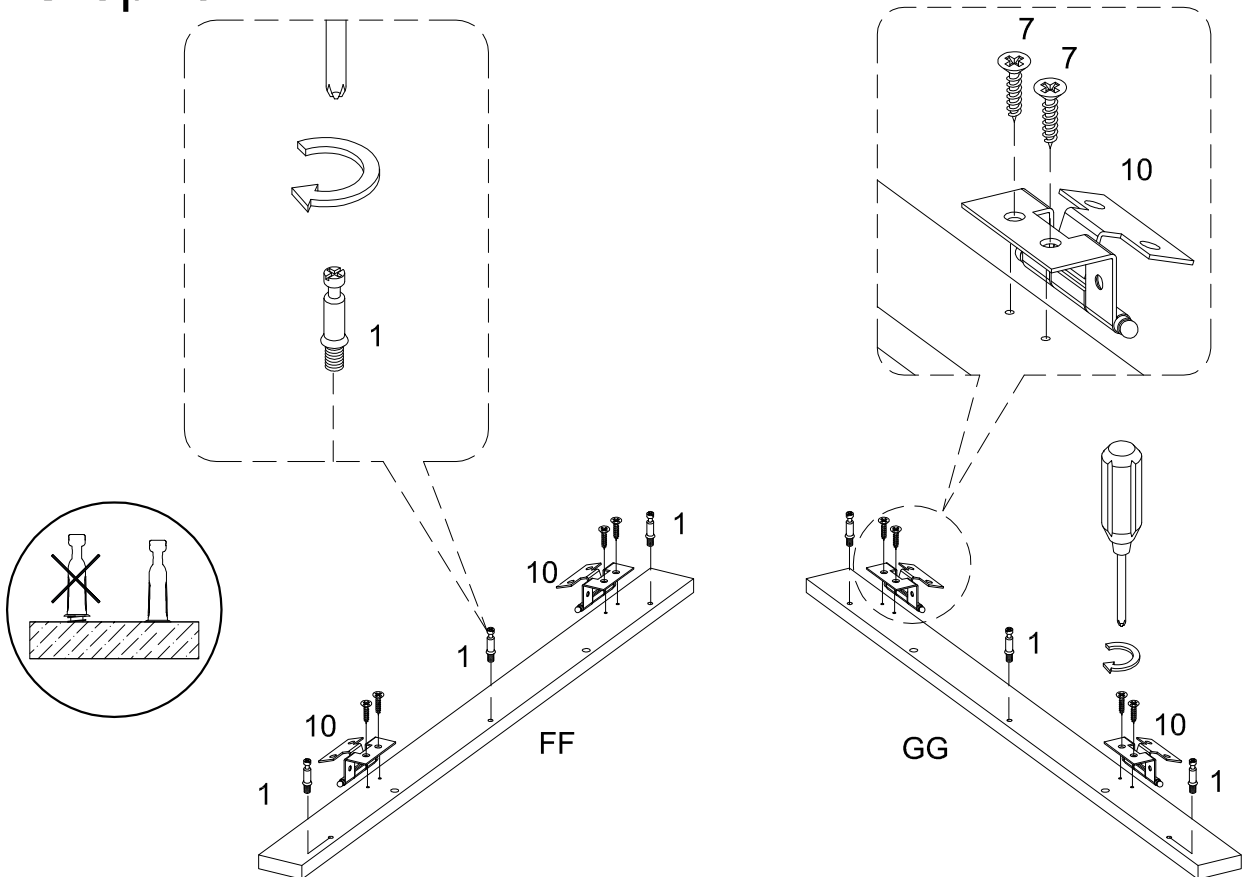
Step 6



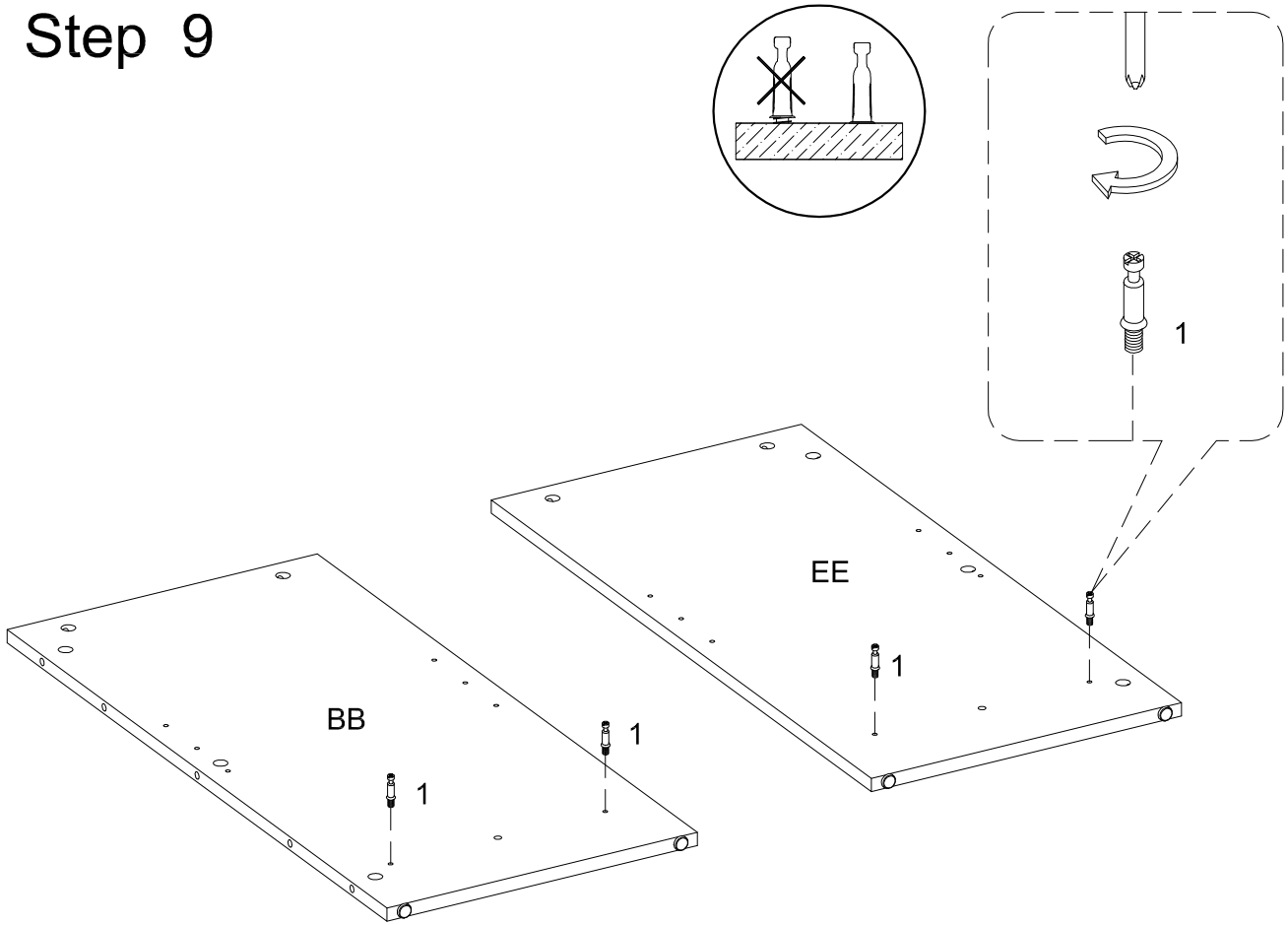
Step 7



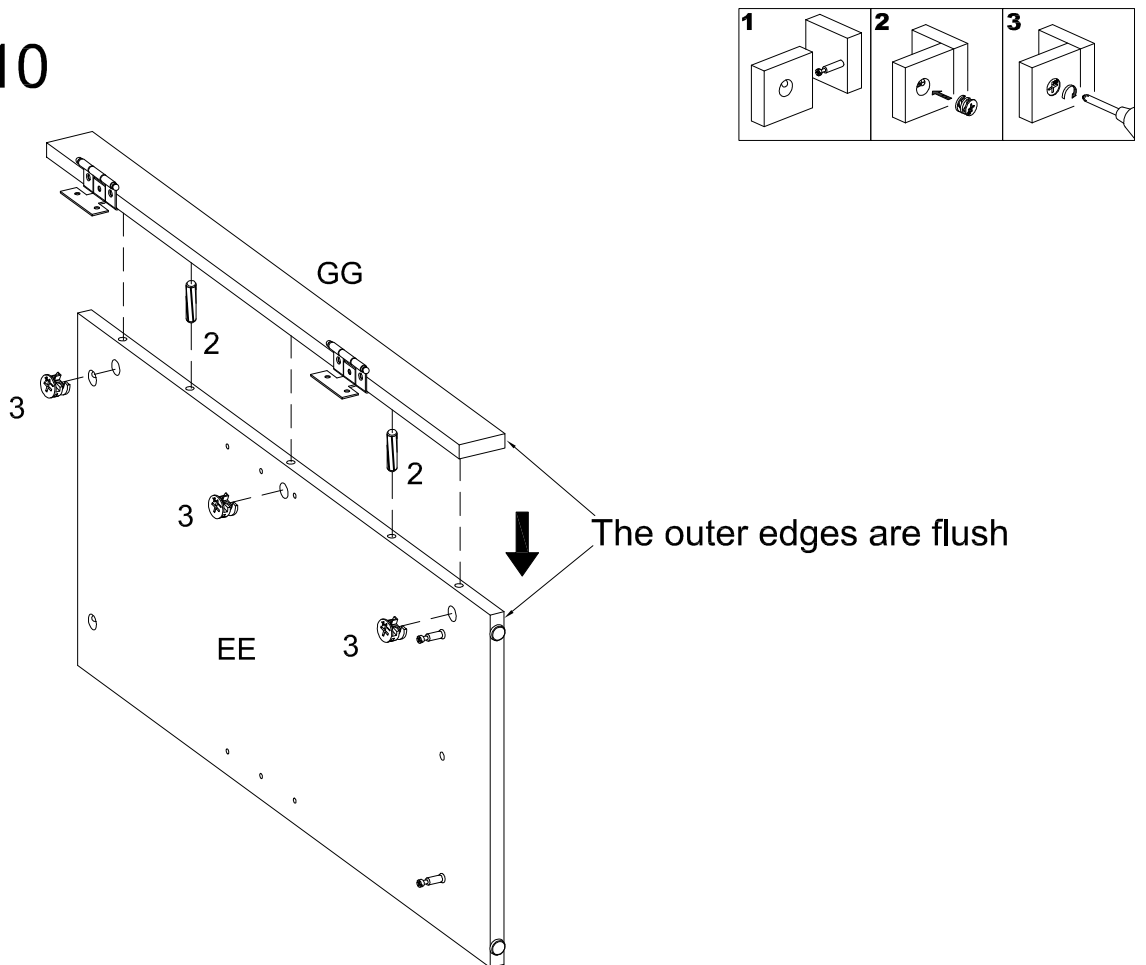
Step 8



Step 9

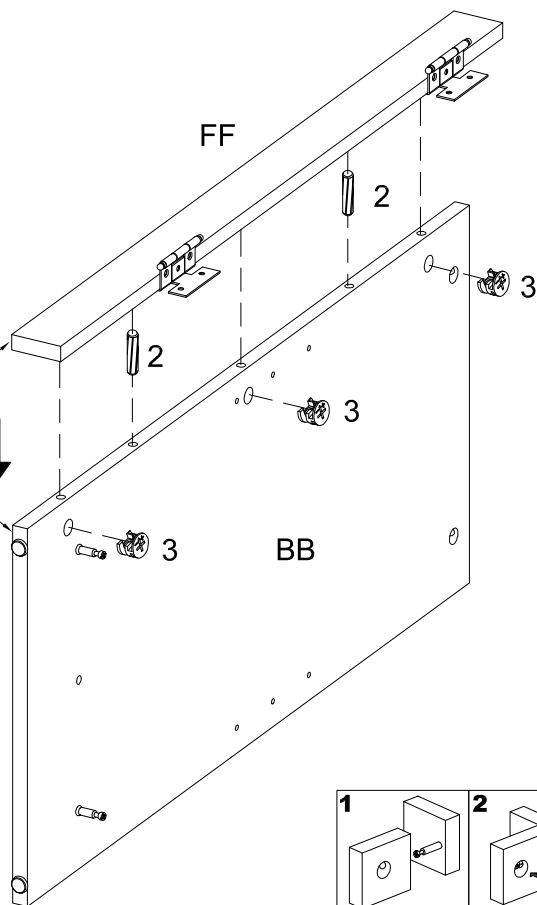


Step 10

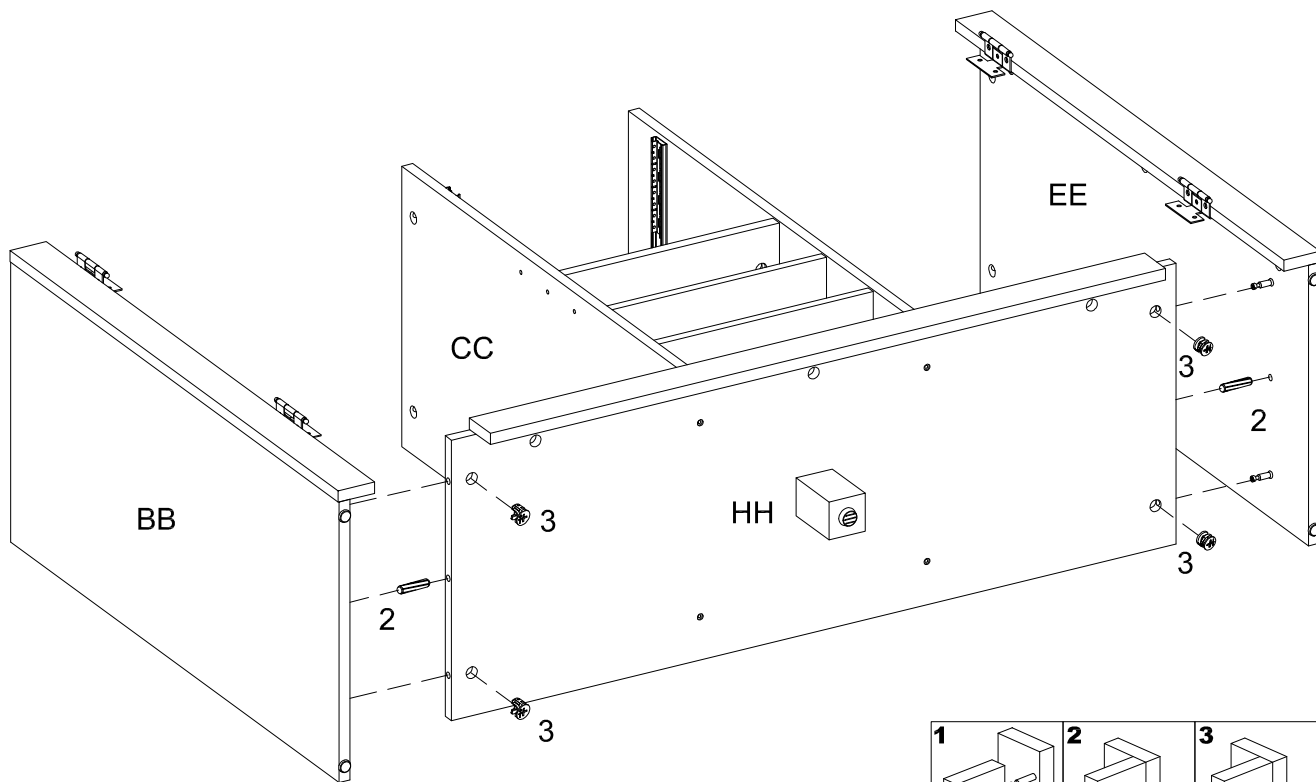


Step 11

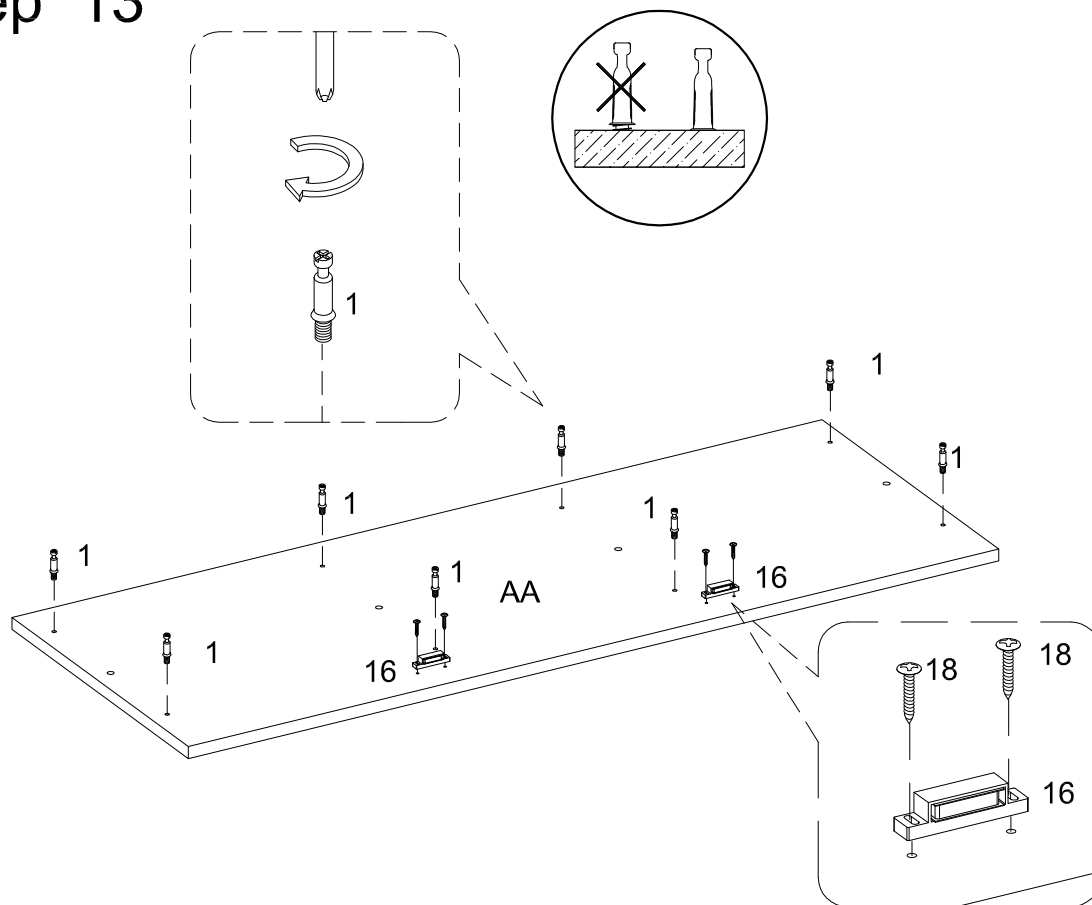
The outer edges are flush



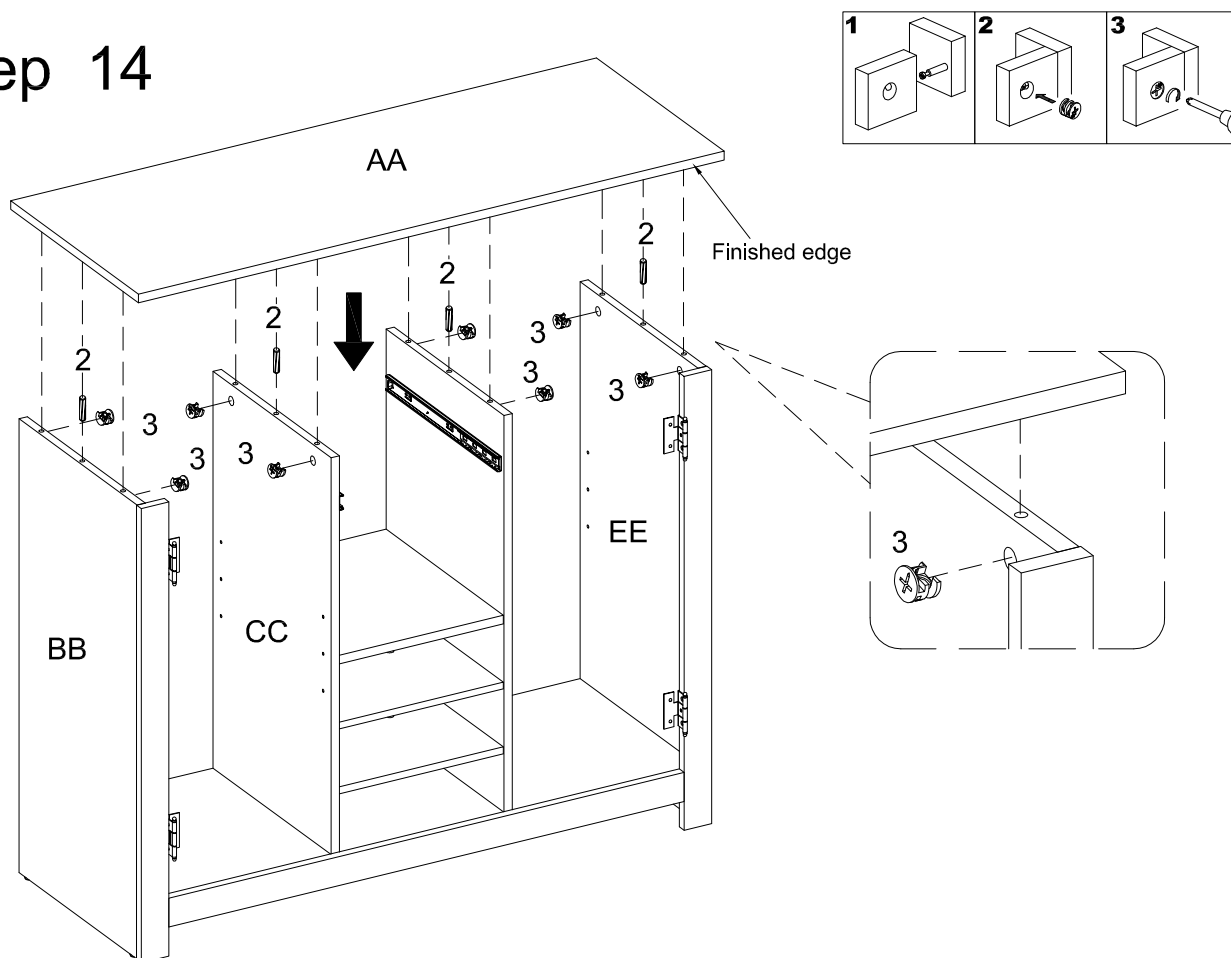
Step 12



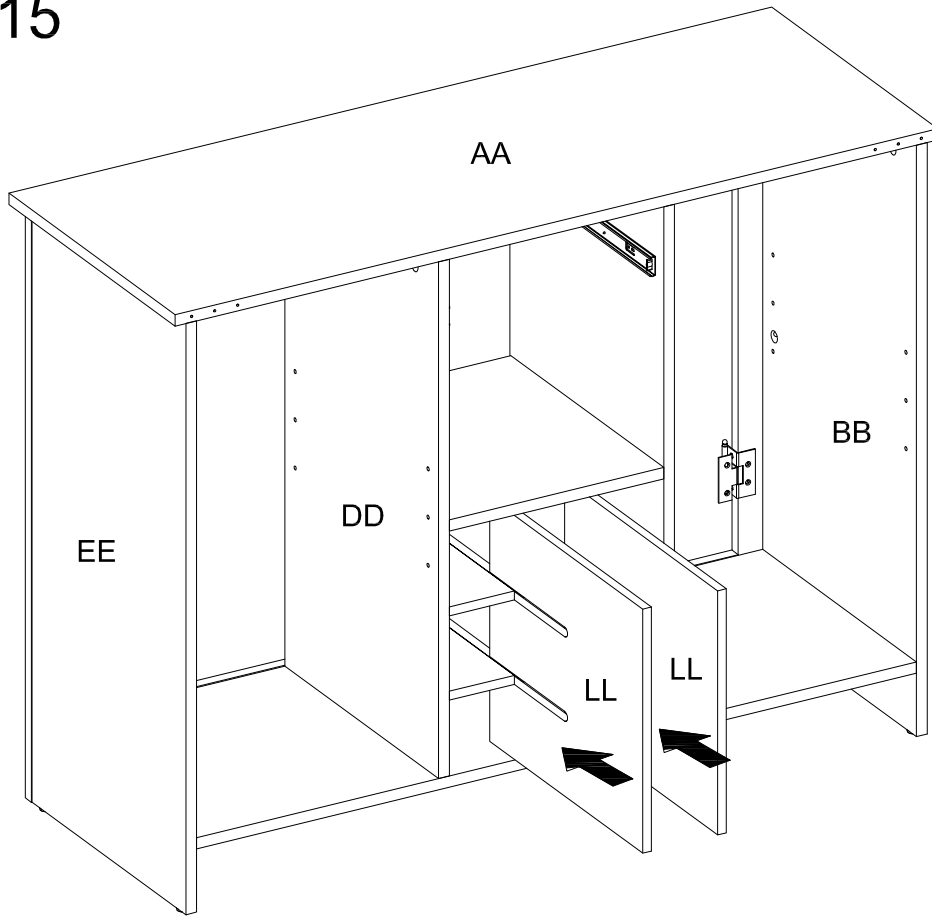
Step 13



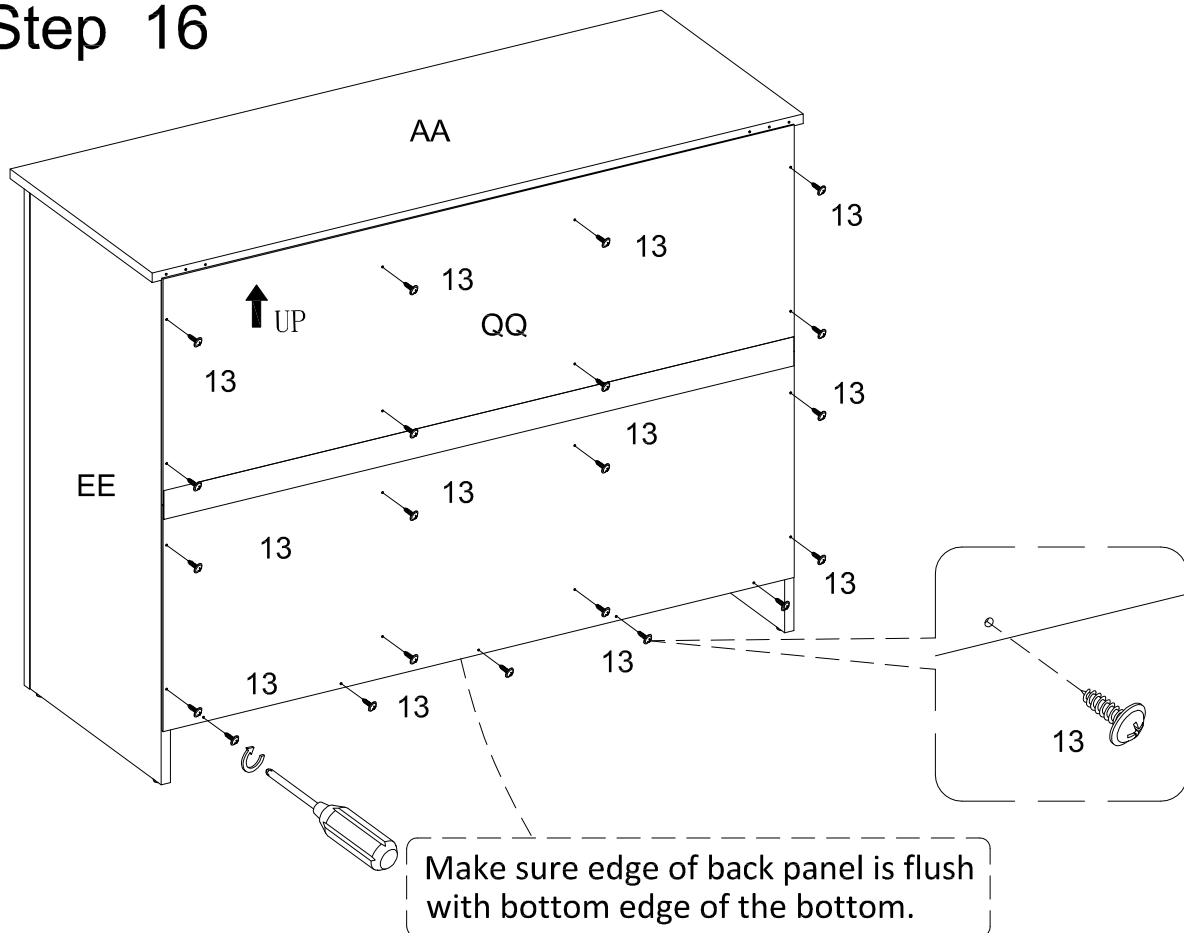
Step 14



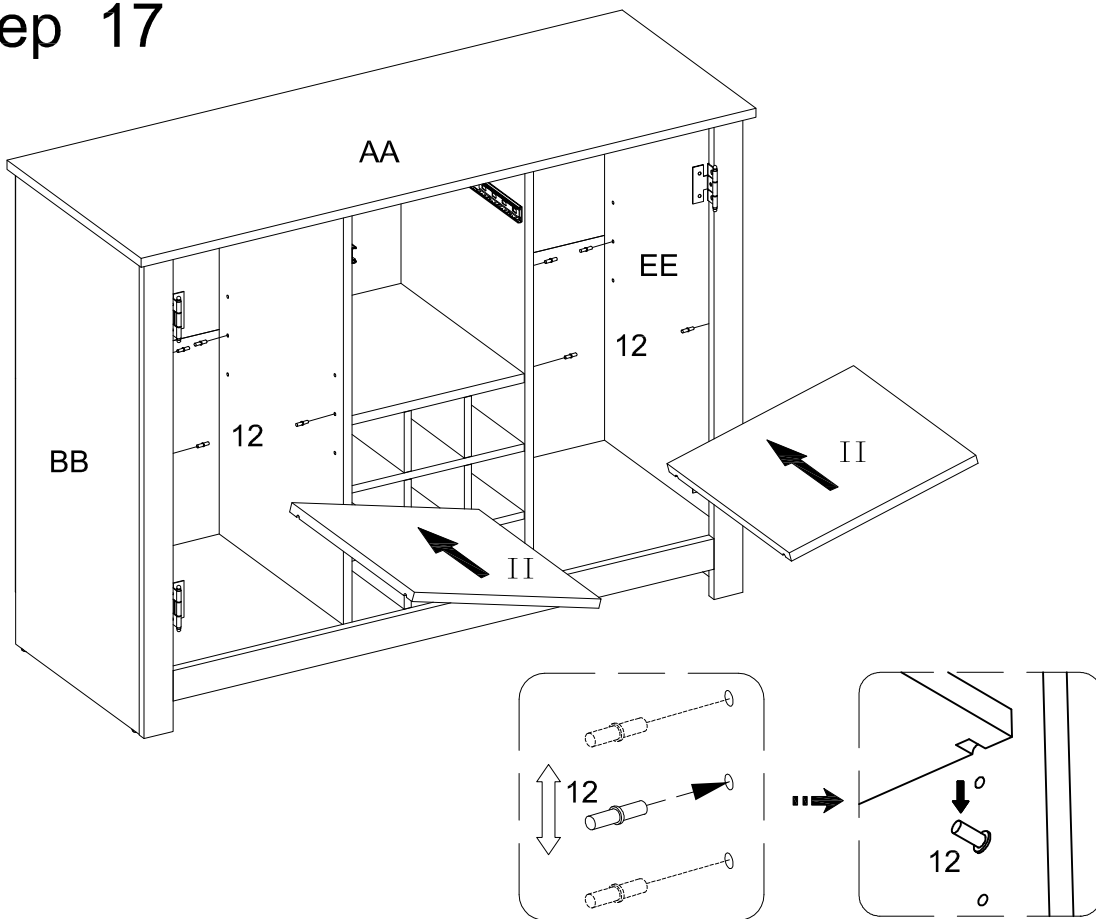
Step 15



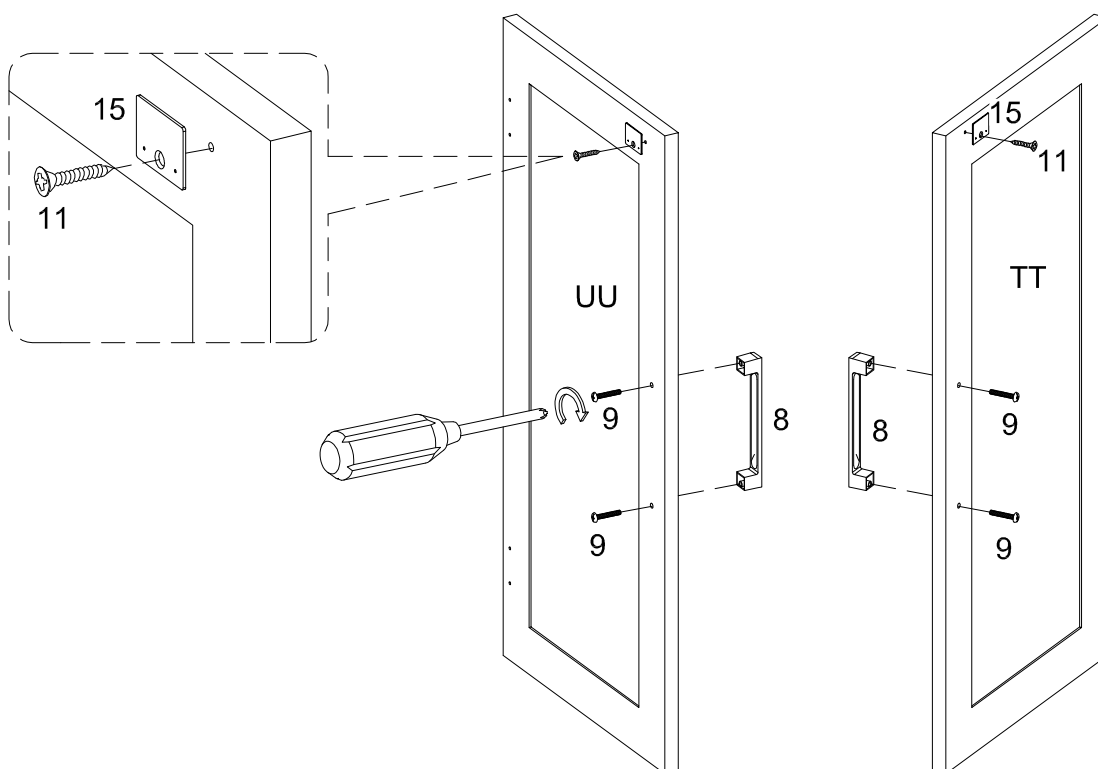
Step 16



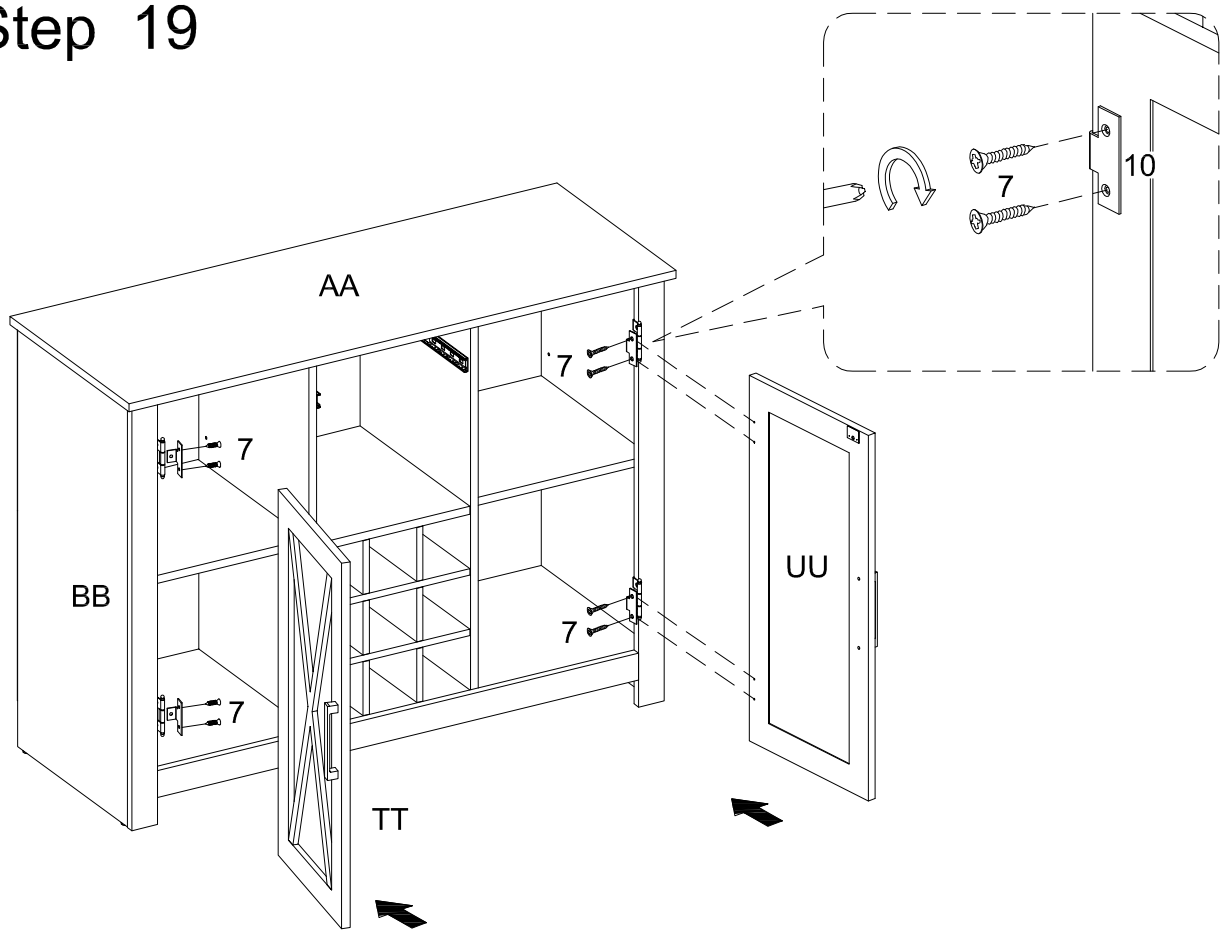
Step 17



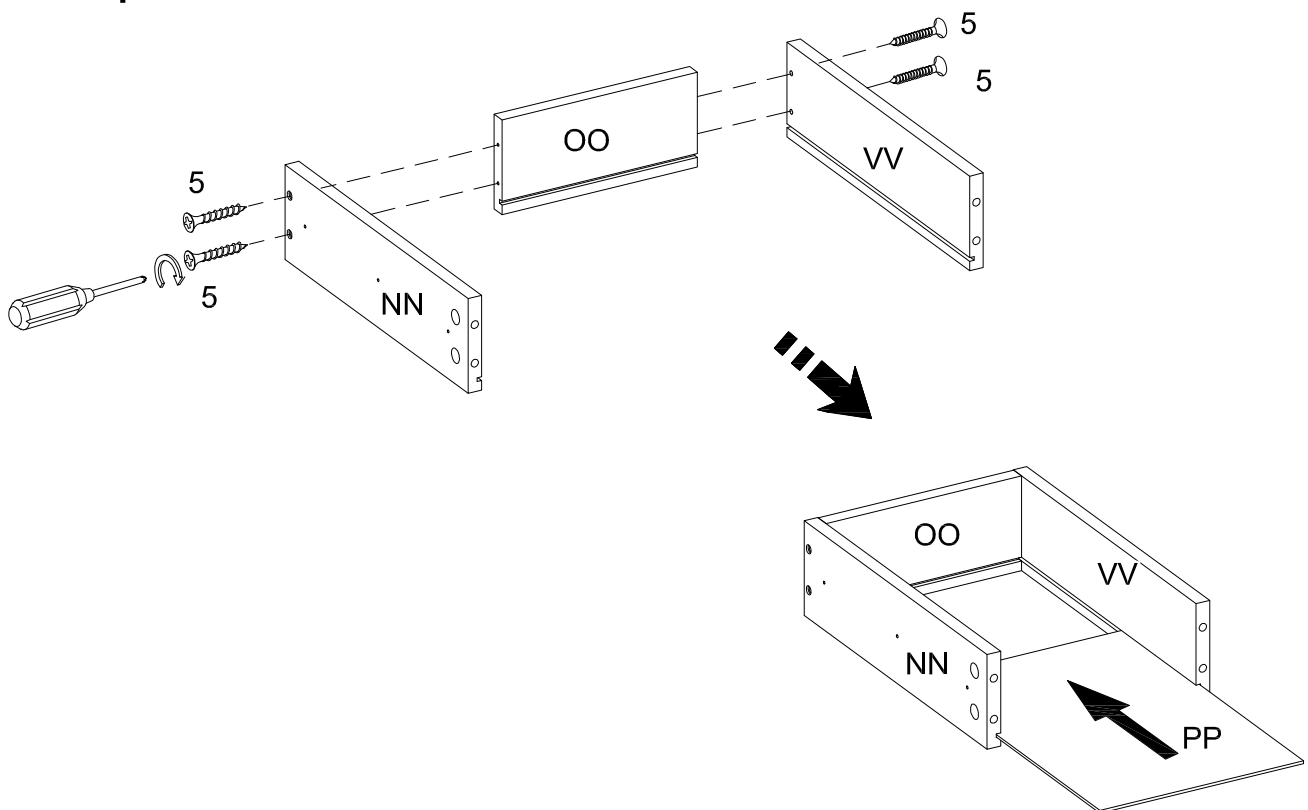
Step 18



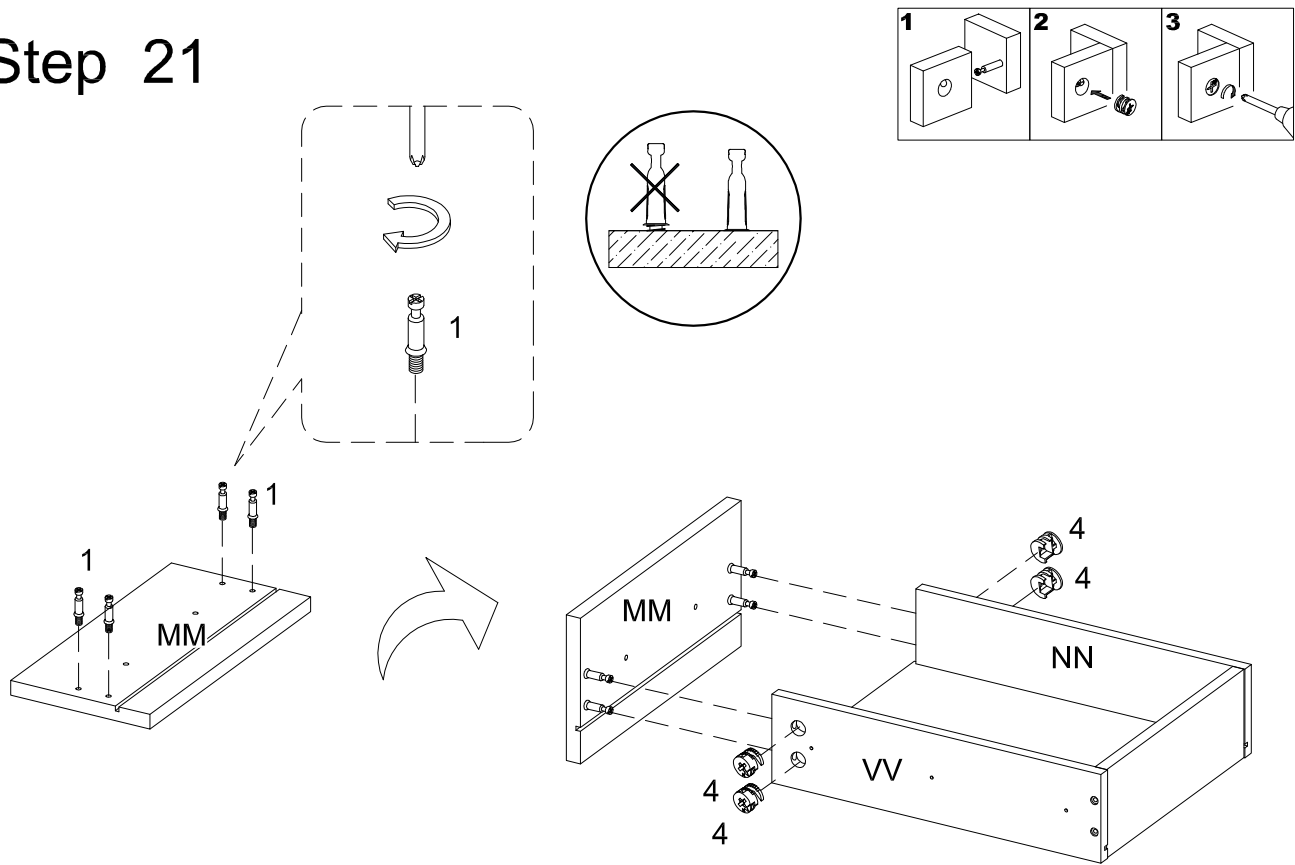
Step 19



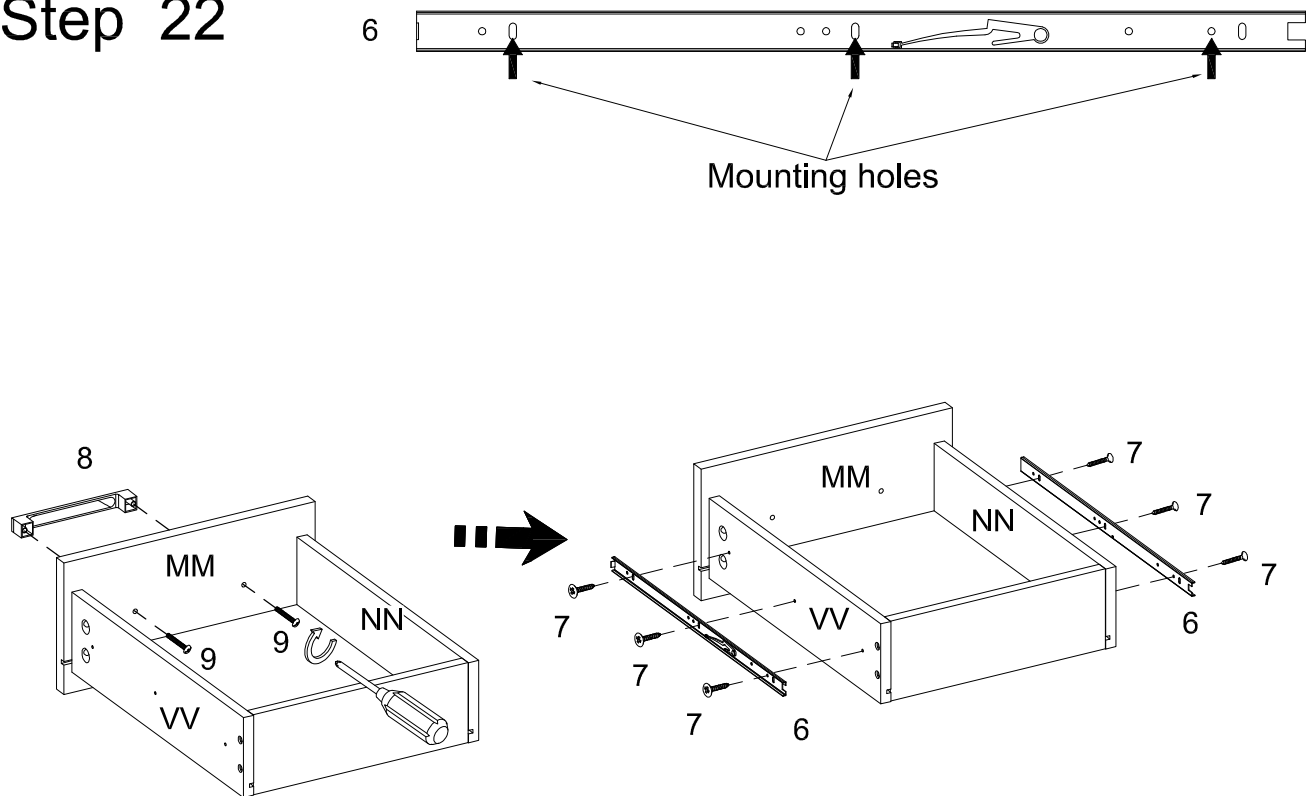
Step 20



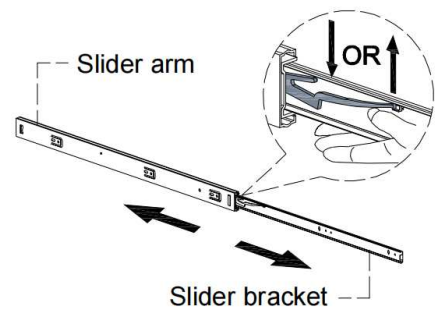
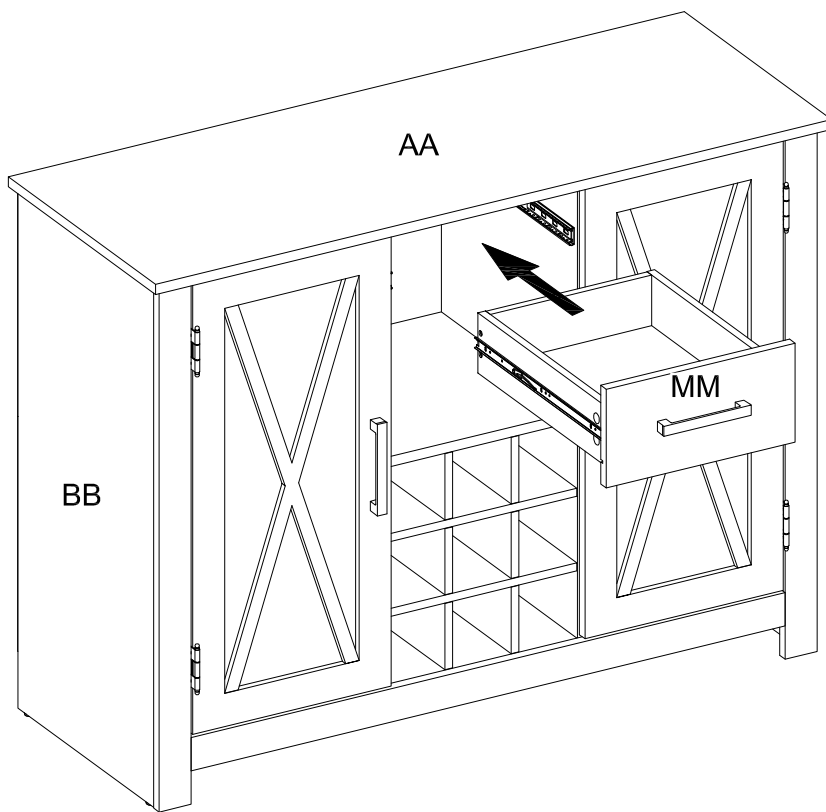
Step 21



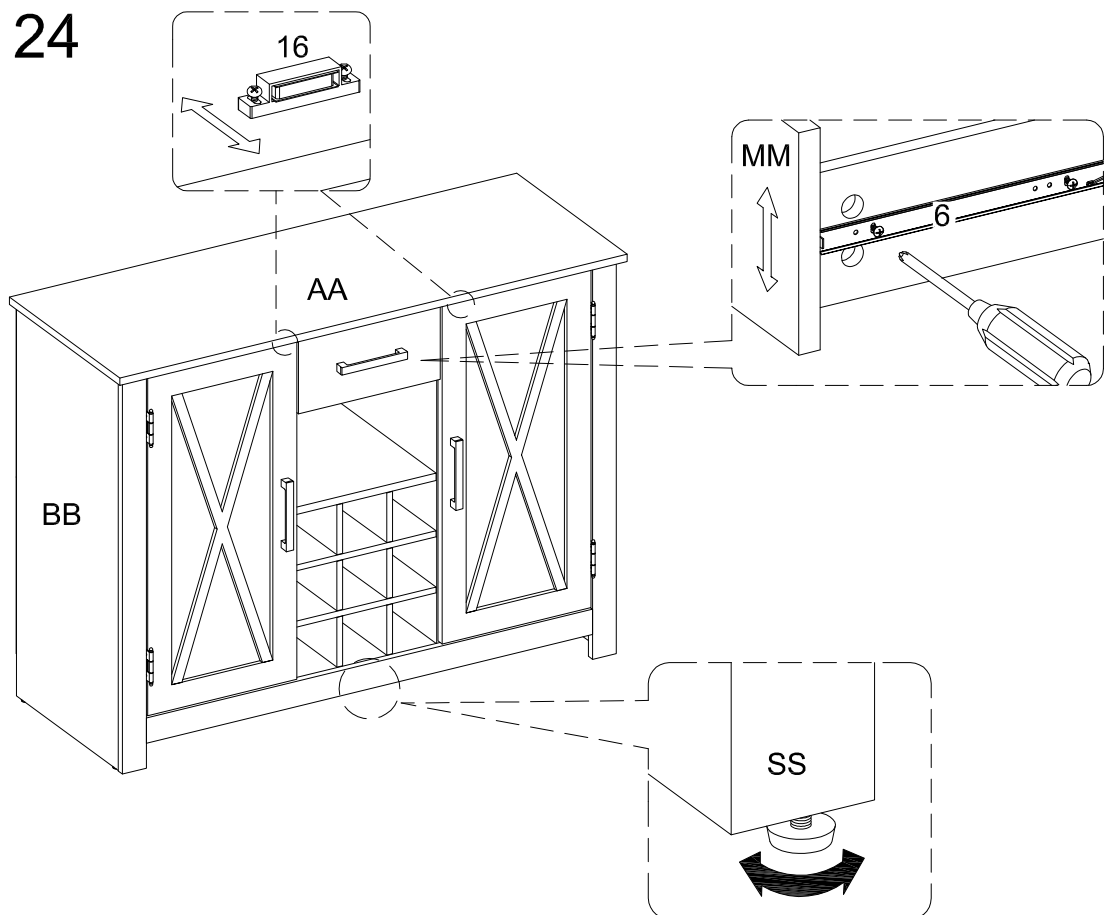
Step 22



Step 23

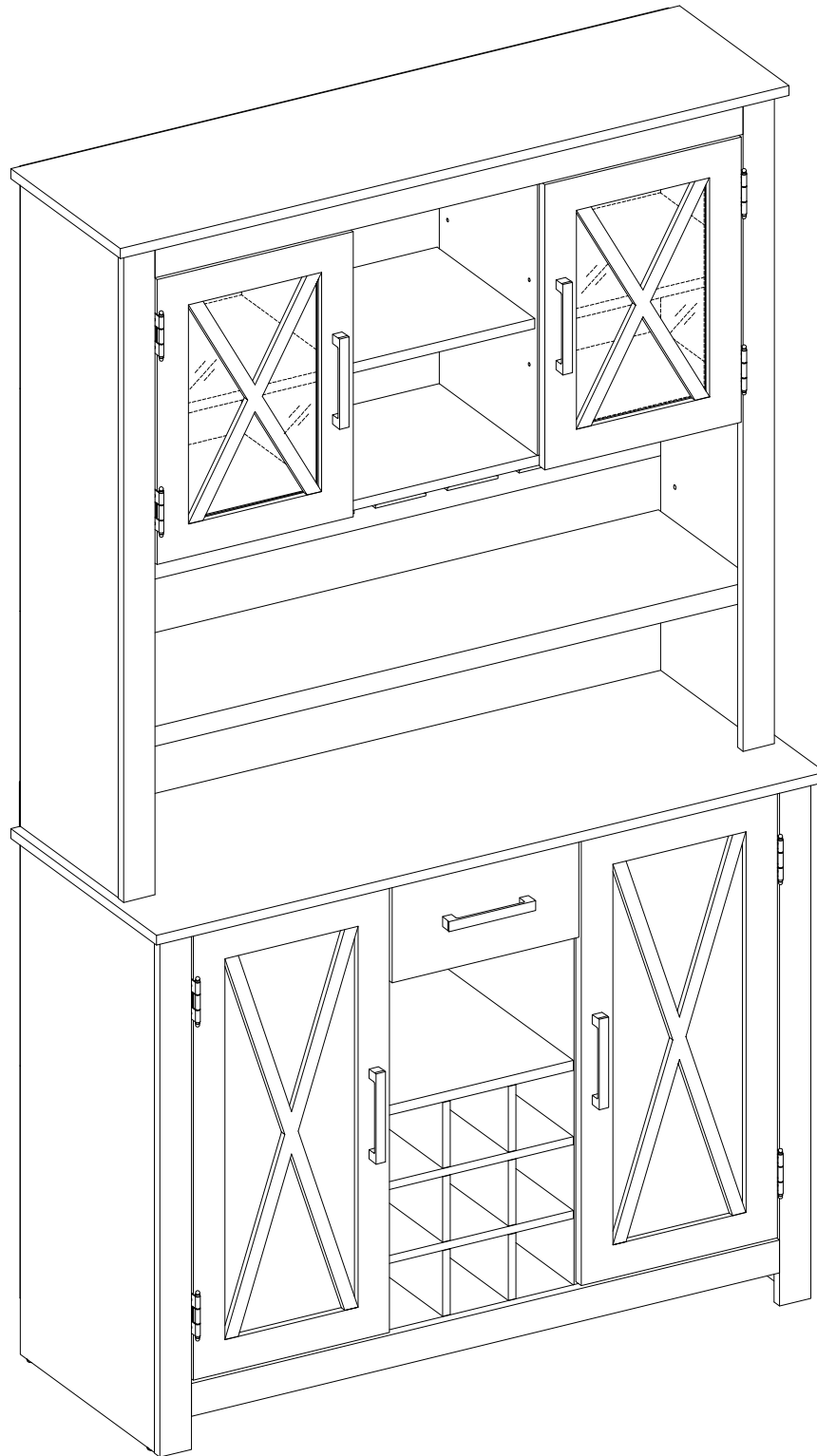


Step 24



PRODUCT RECOMMENDATION

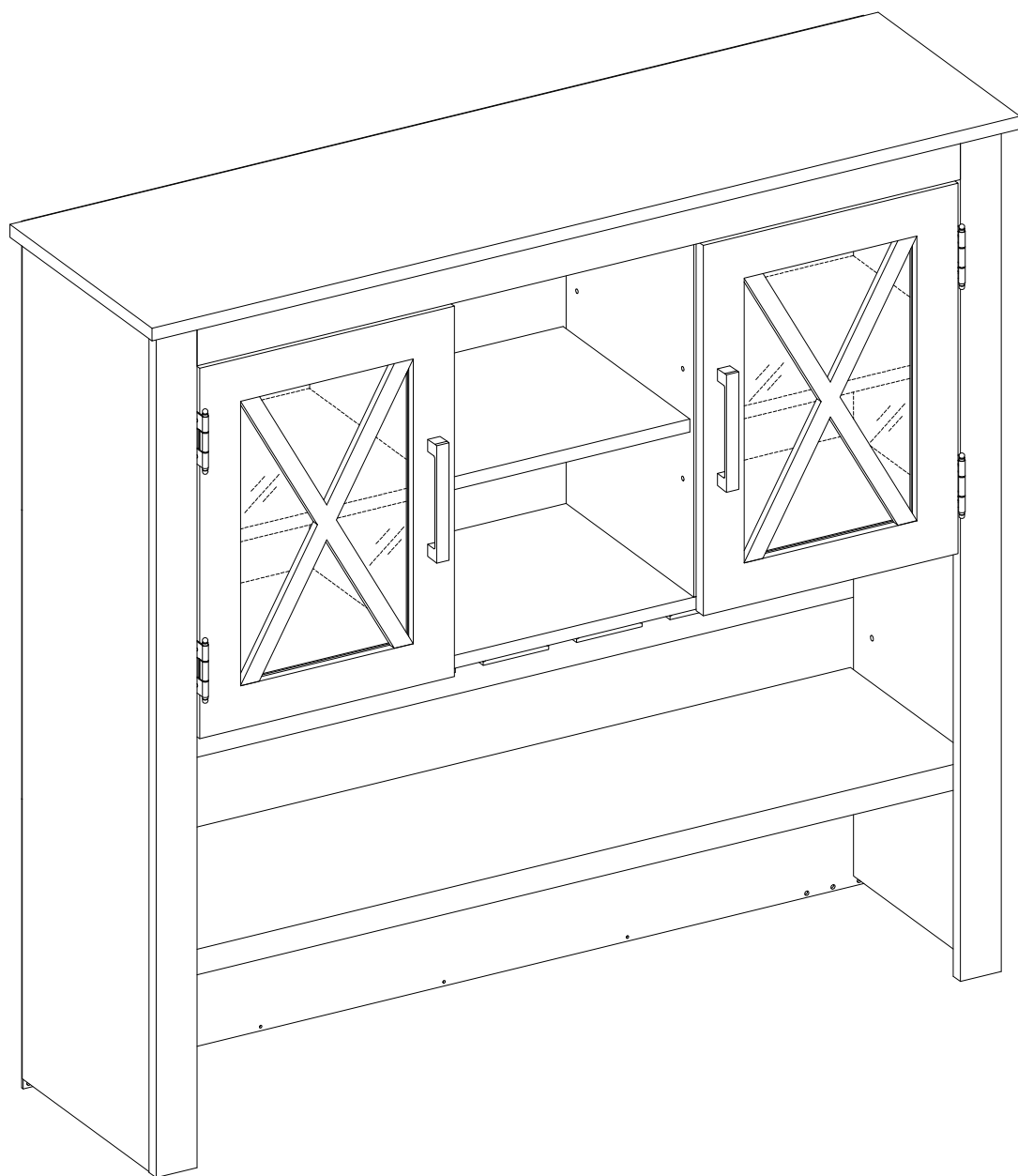
Combine with matching hutch for additional work center storage.



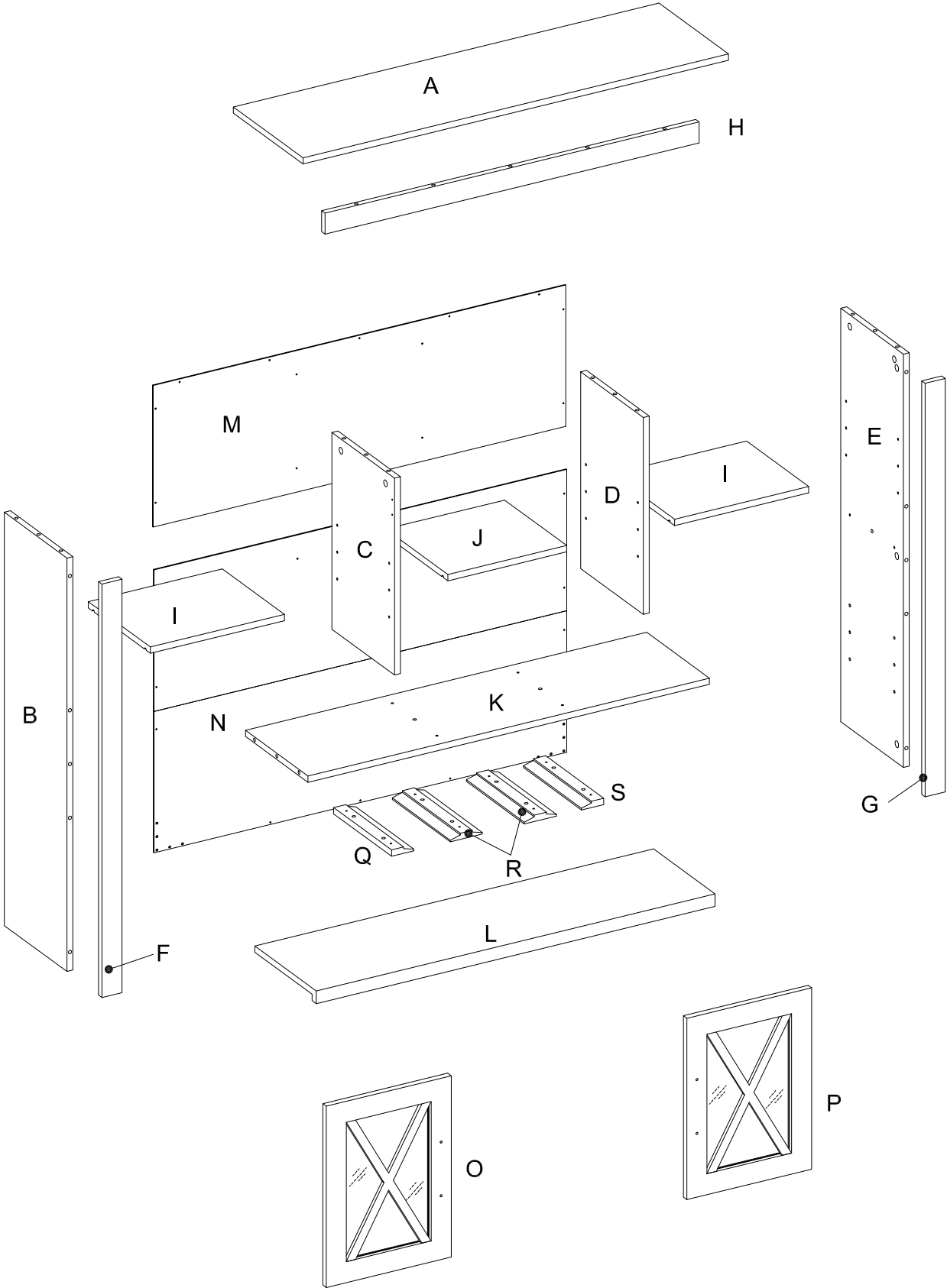
HOME SOURCE[®]

ASSEMBLY INSTRUCTION






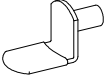
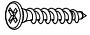


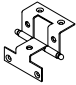
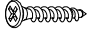




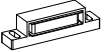


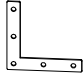
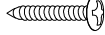

MODEL: JZ66-TOP

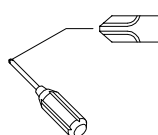


Parts List



Hardware List

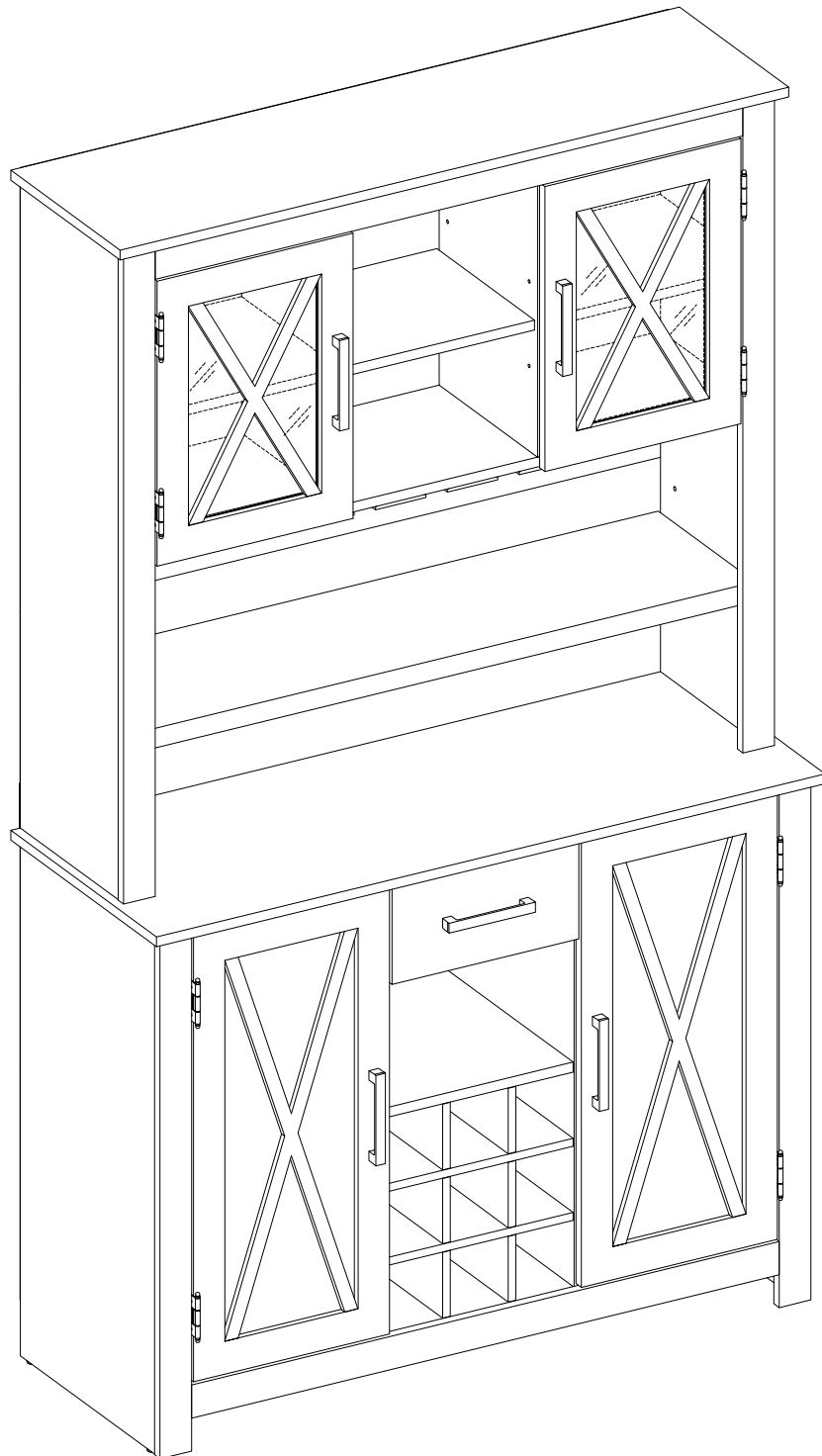
1		Ø6x35mm	Cam bolt	21 pcs
2		Ø8x30mm	Wood dowel	14 pcs
3		Ø15x11mm	Cam lock	21 pcs
4		Ø8x20mm	Wood dowel	8 pcs
5		Ø4x25mm	Fast screw	8 pcs
6			Shelf pin	4 pcs
7		Ø3.5x12mm	Screw	16 pcs
8			Handle	2 pcs
9		Ø4x22mm	Handle bolt	4 pcs
10			Door hinge	4 pcs
11		Ø3x12mm	Screw	2 pcs
12			Support pin	12 pcs
13			Screw	29 pcs
14		Ø4x44mm	Fast screw	4 pcs
15			Magnetic piece	2 pcs
16			Magnetic catch	2 pcs
17			Glue	1 pcs
18		Ø3x15mm	Screw	4 pcs
19			Metal bracket	2 pcs
20		Ø4x19mm	Screw	10 pcs
21		Tipping Restraint Hardware (Inside Plastic White Bag)		2 pcs



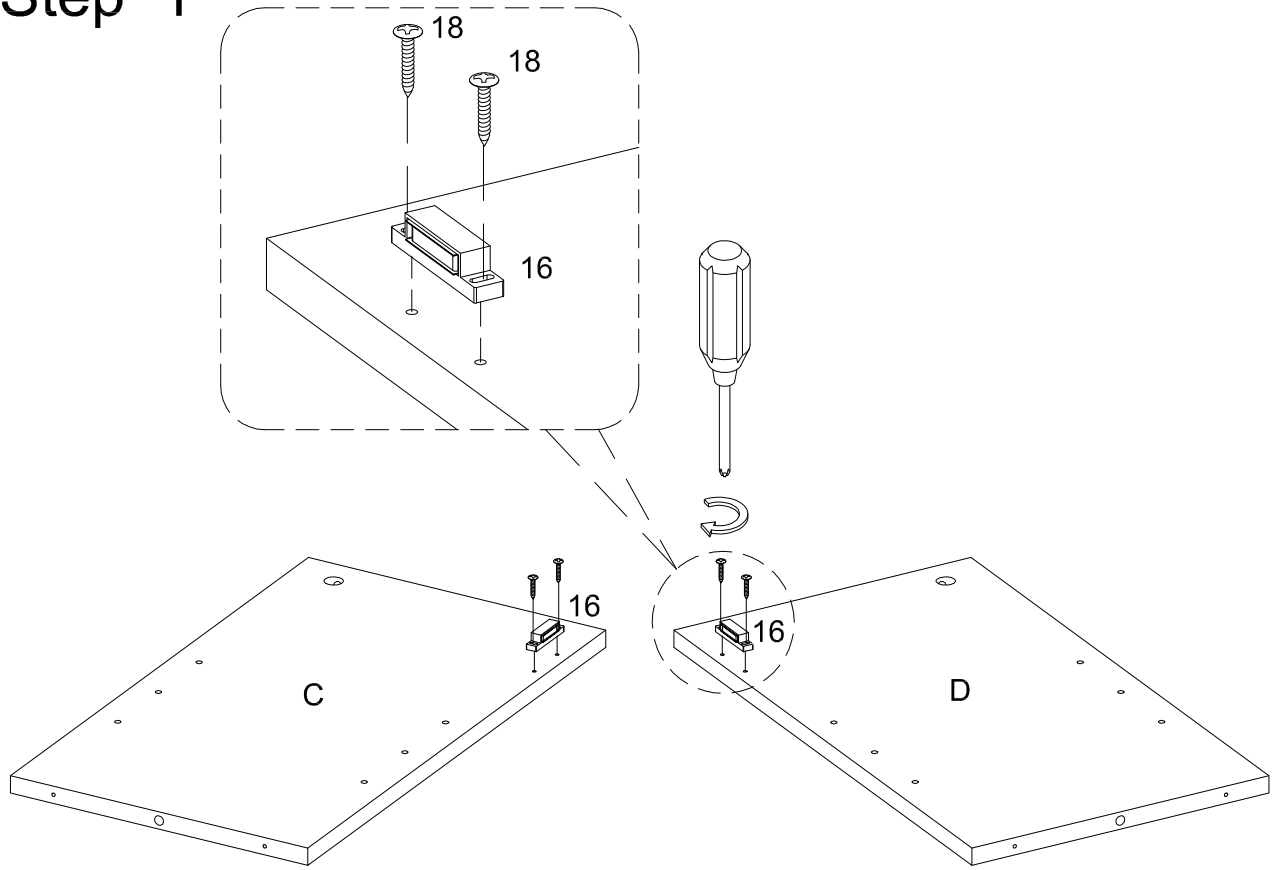
Philips head screwdriver required for assembly
(not included)

BEFORE THE ASSEMBLY

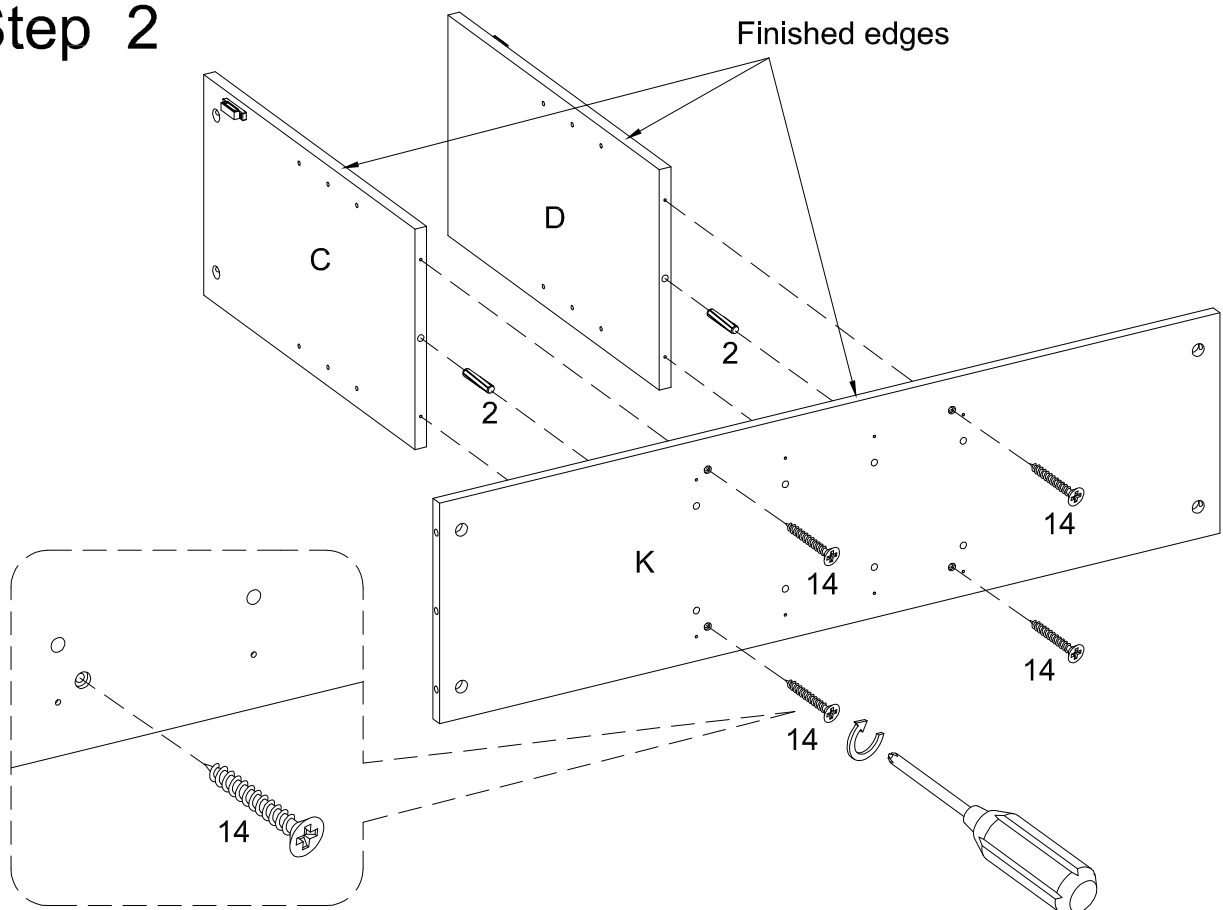
Note: Top should be used together with the Base. Top can not be used seperately.



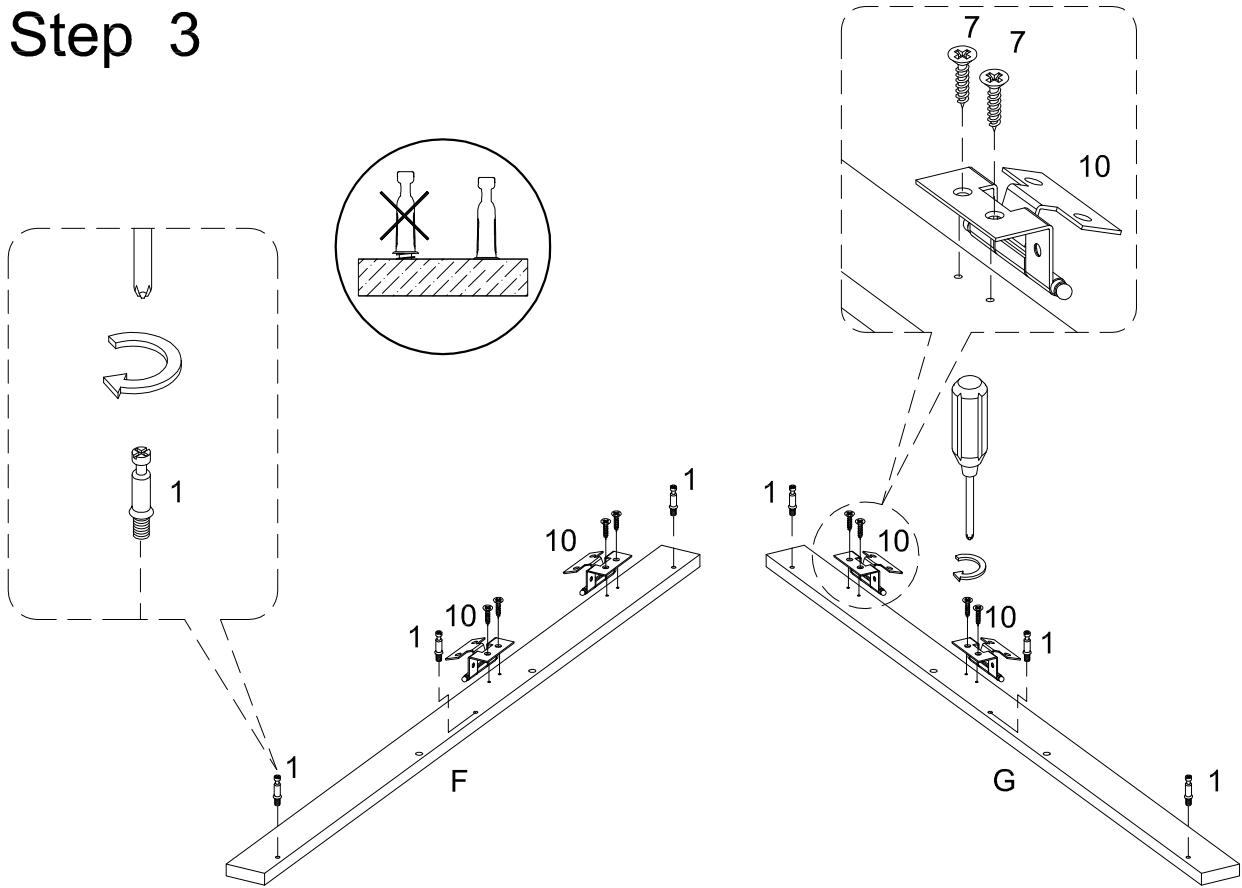
Step 1



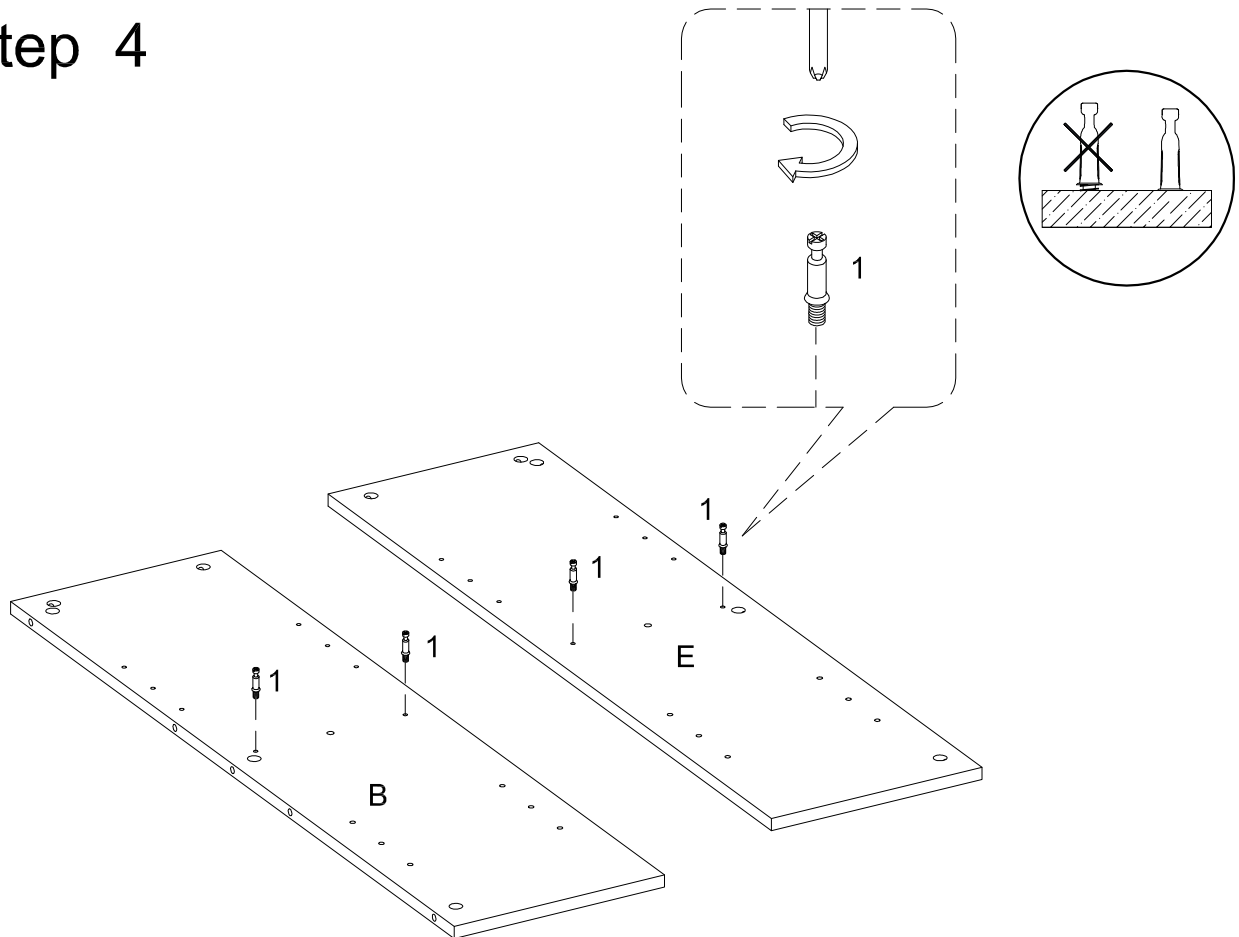
Step 2



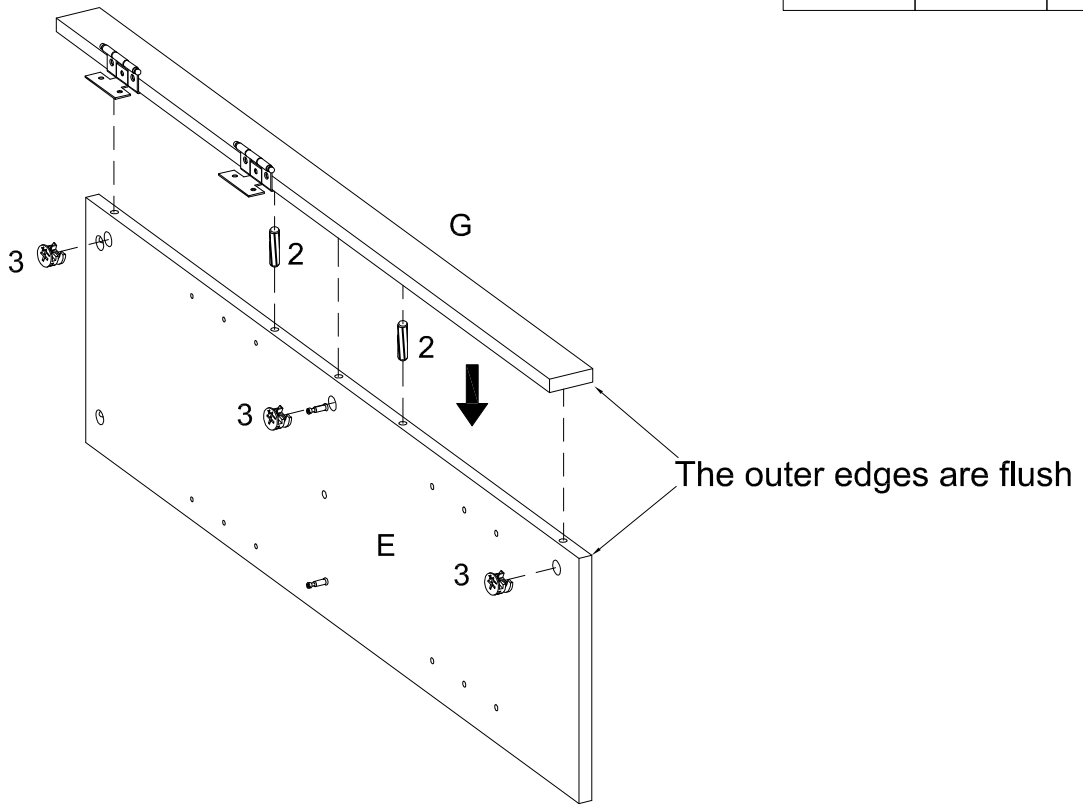
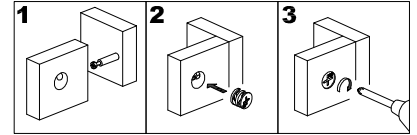
Step 3



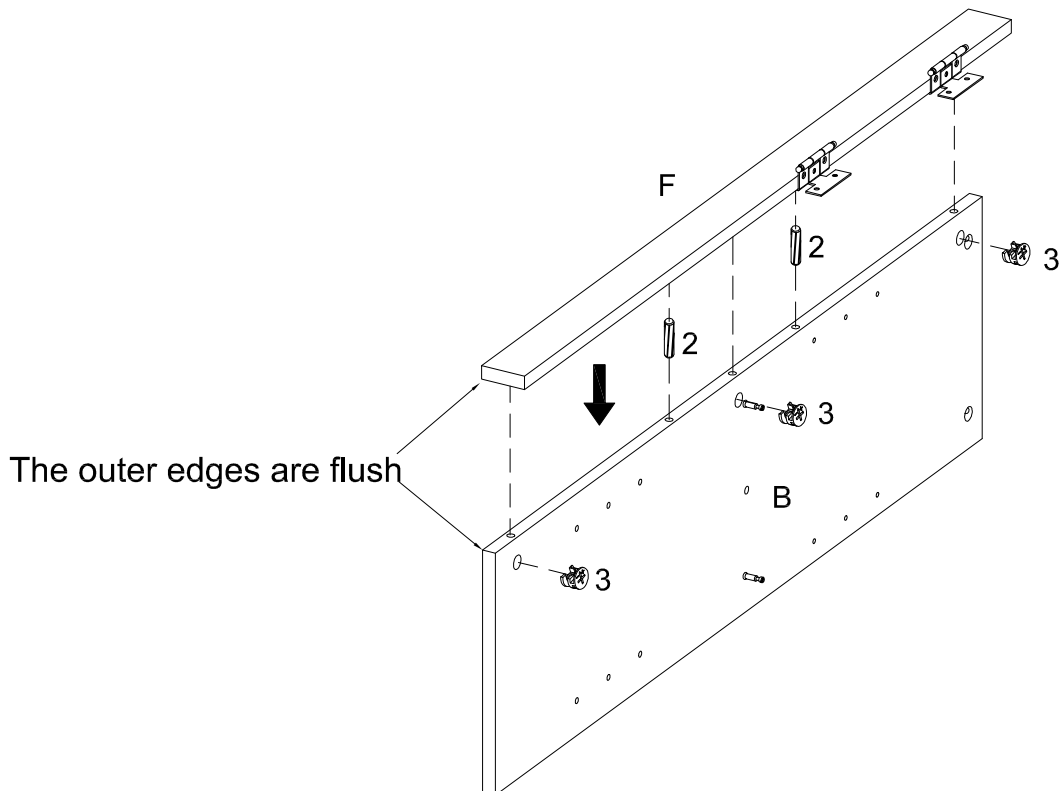
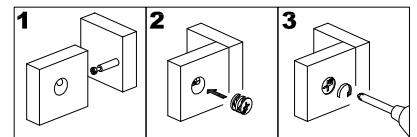
Step 4



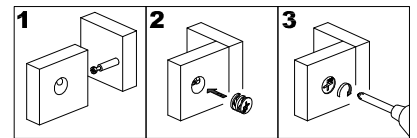
Step 5



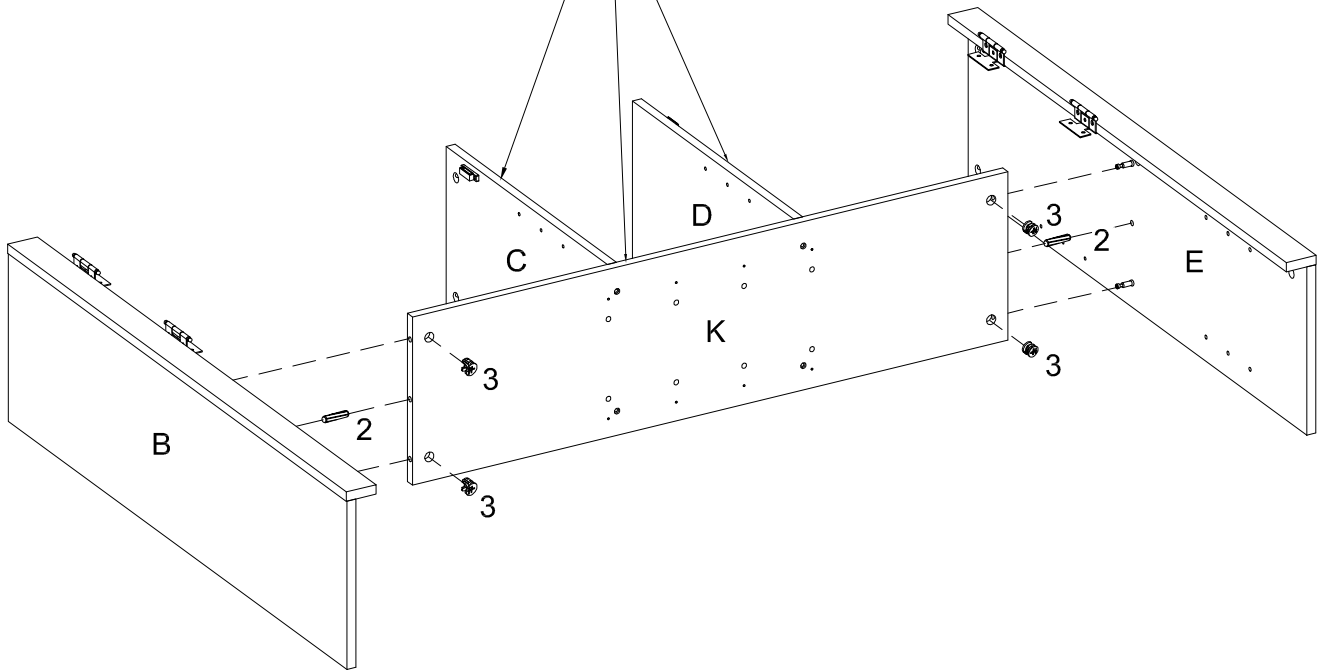
Step 6



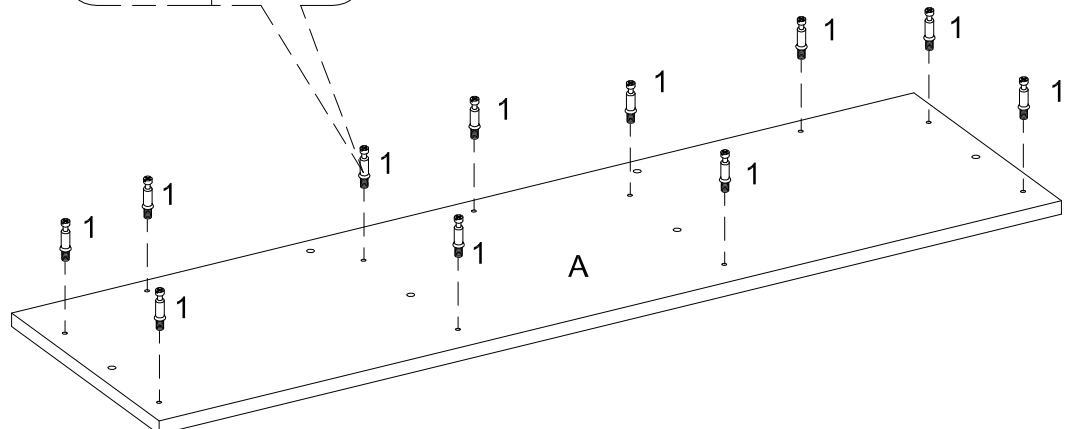
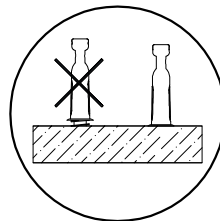
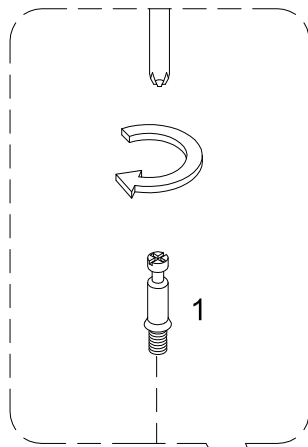
Step 7



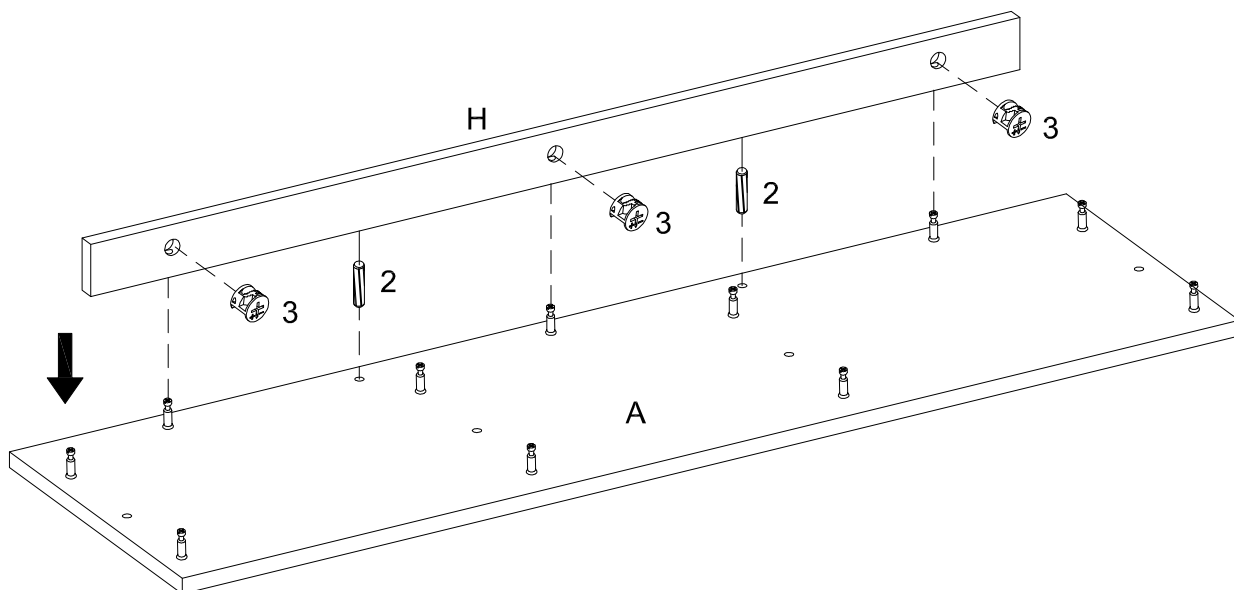
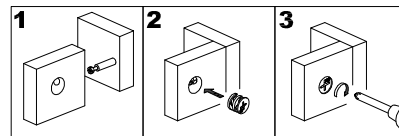
Finished edges



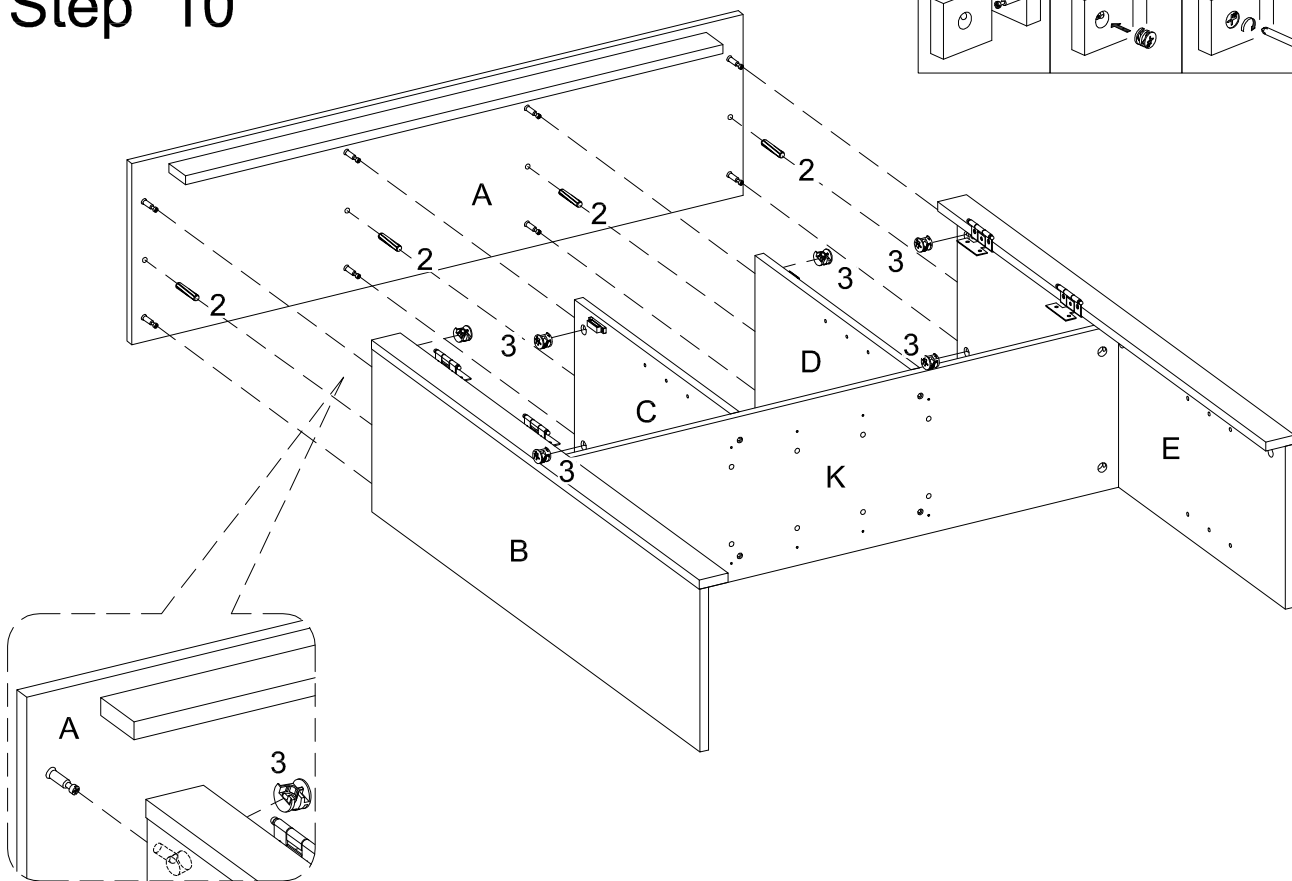
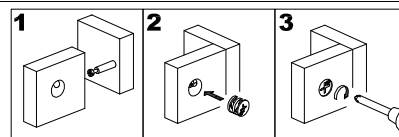
Step 8



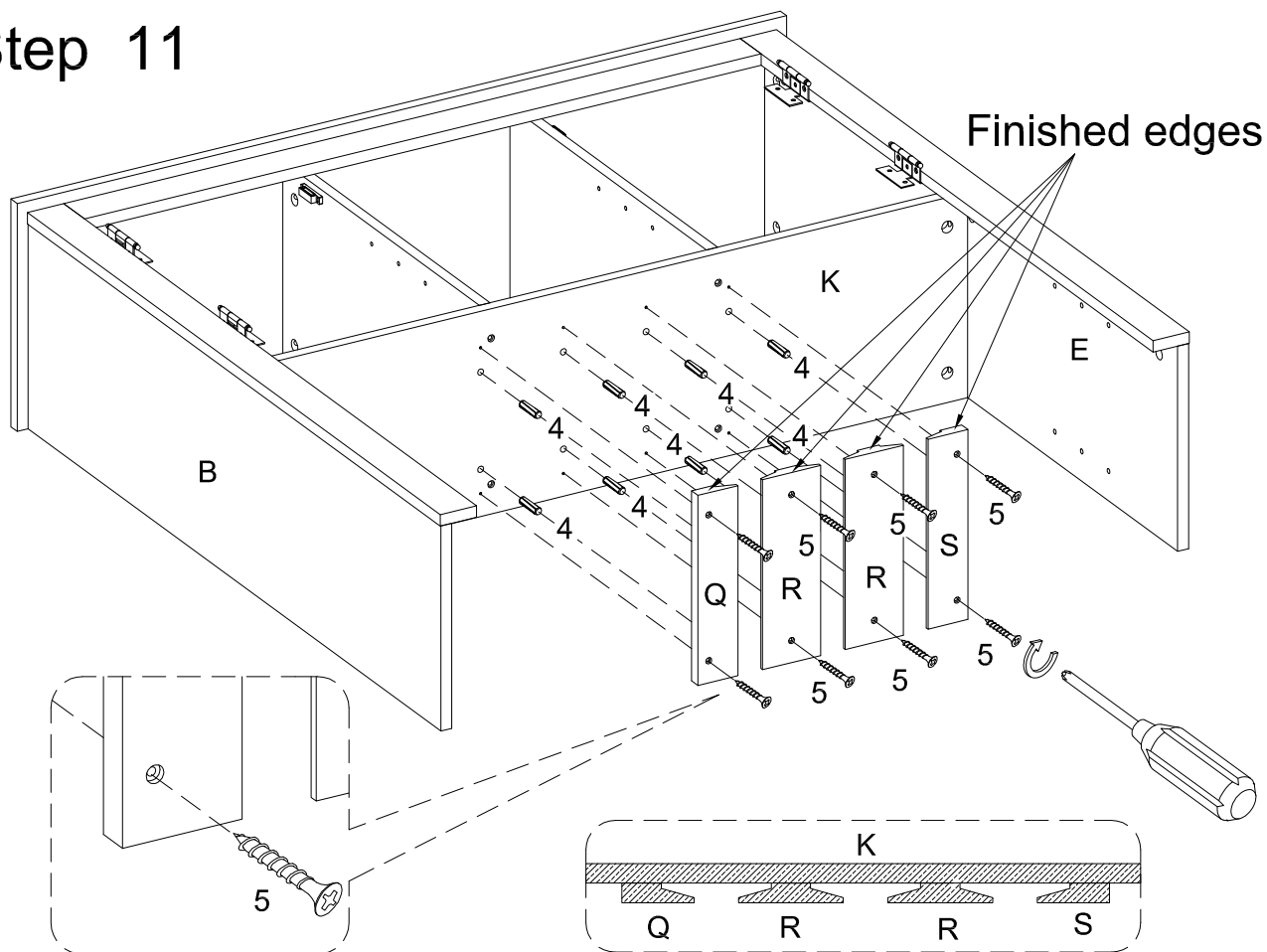
Step 9



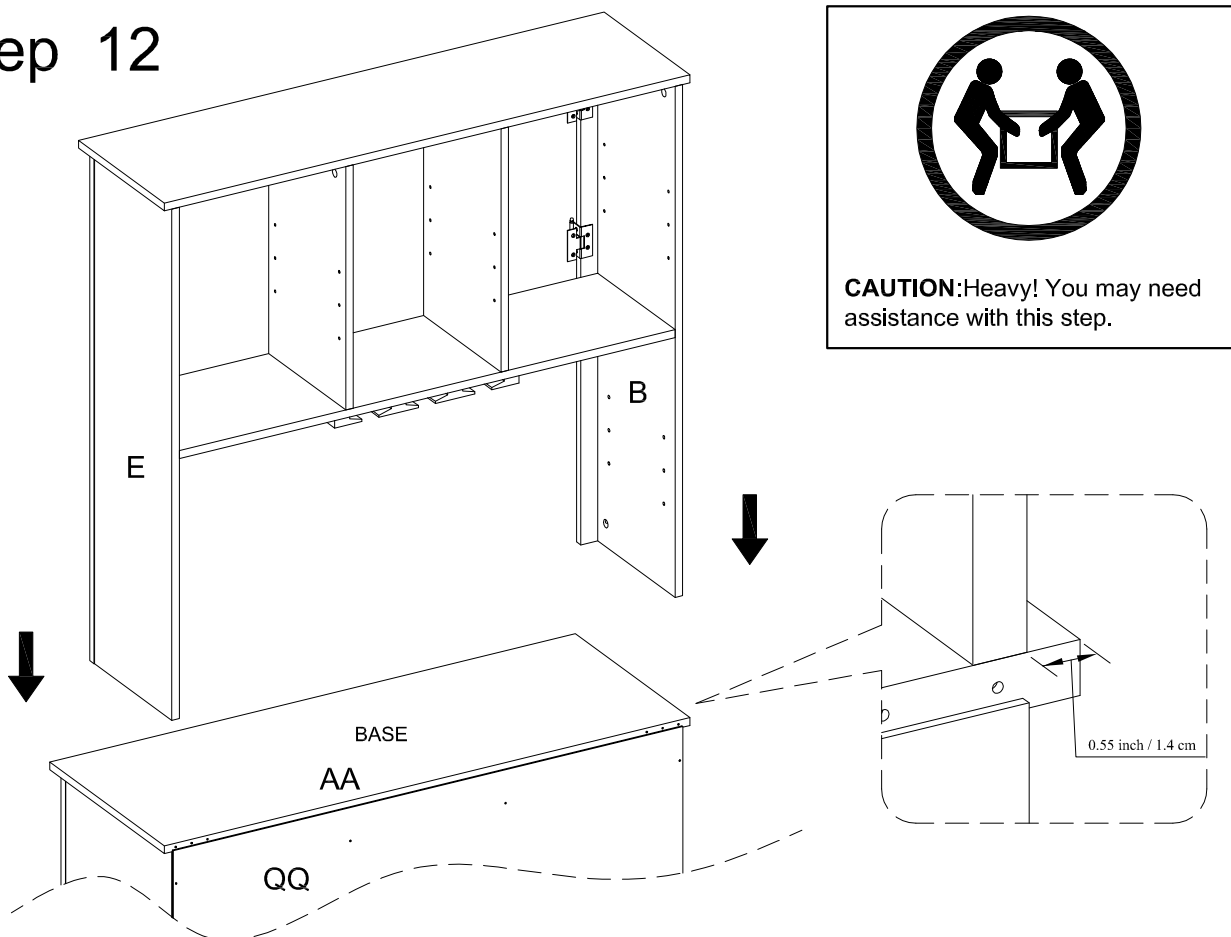
Step 10



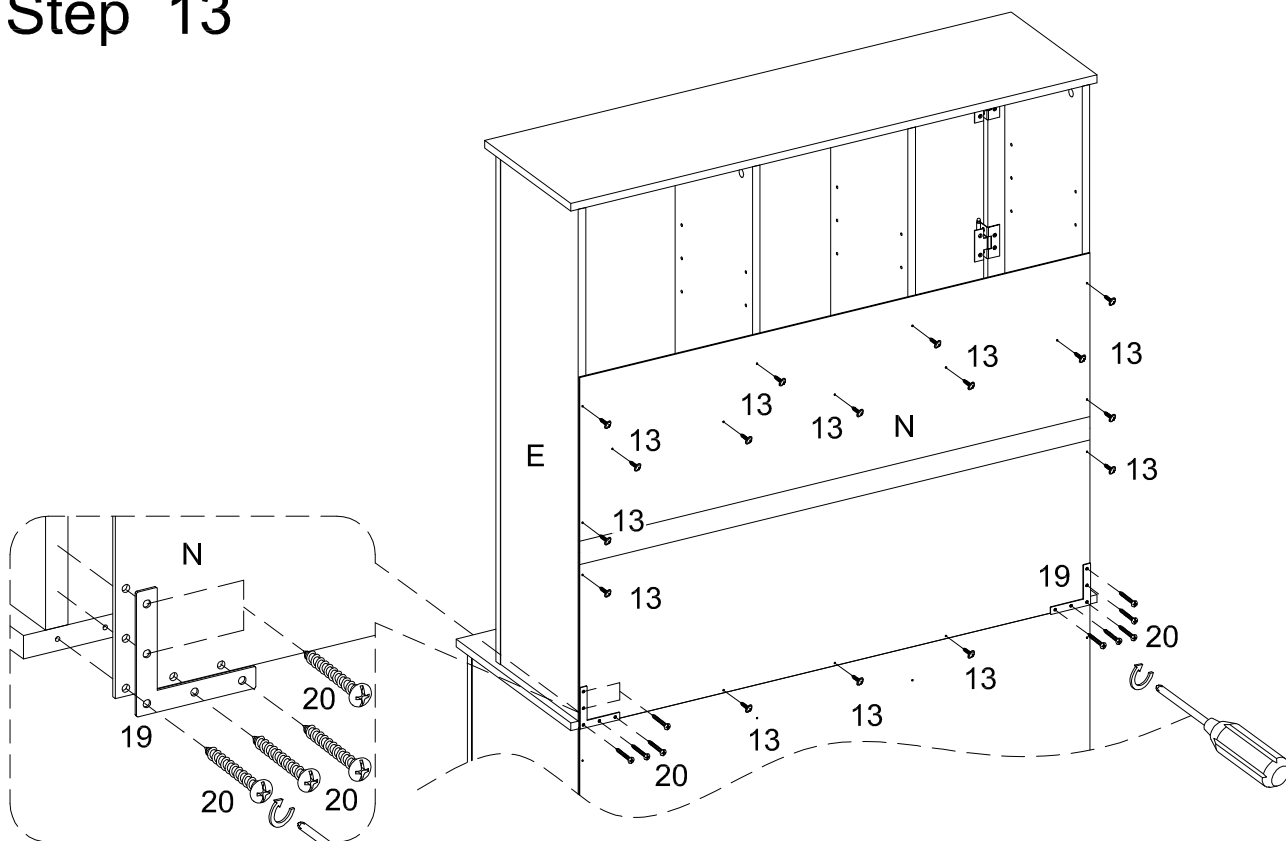
Step 11



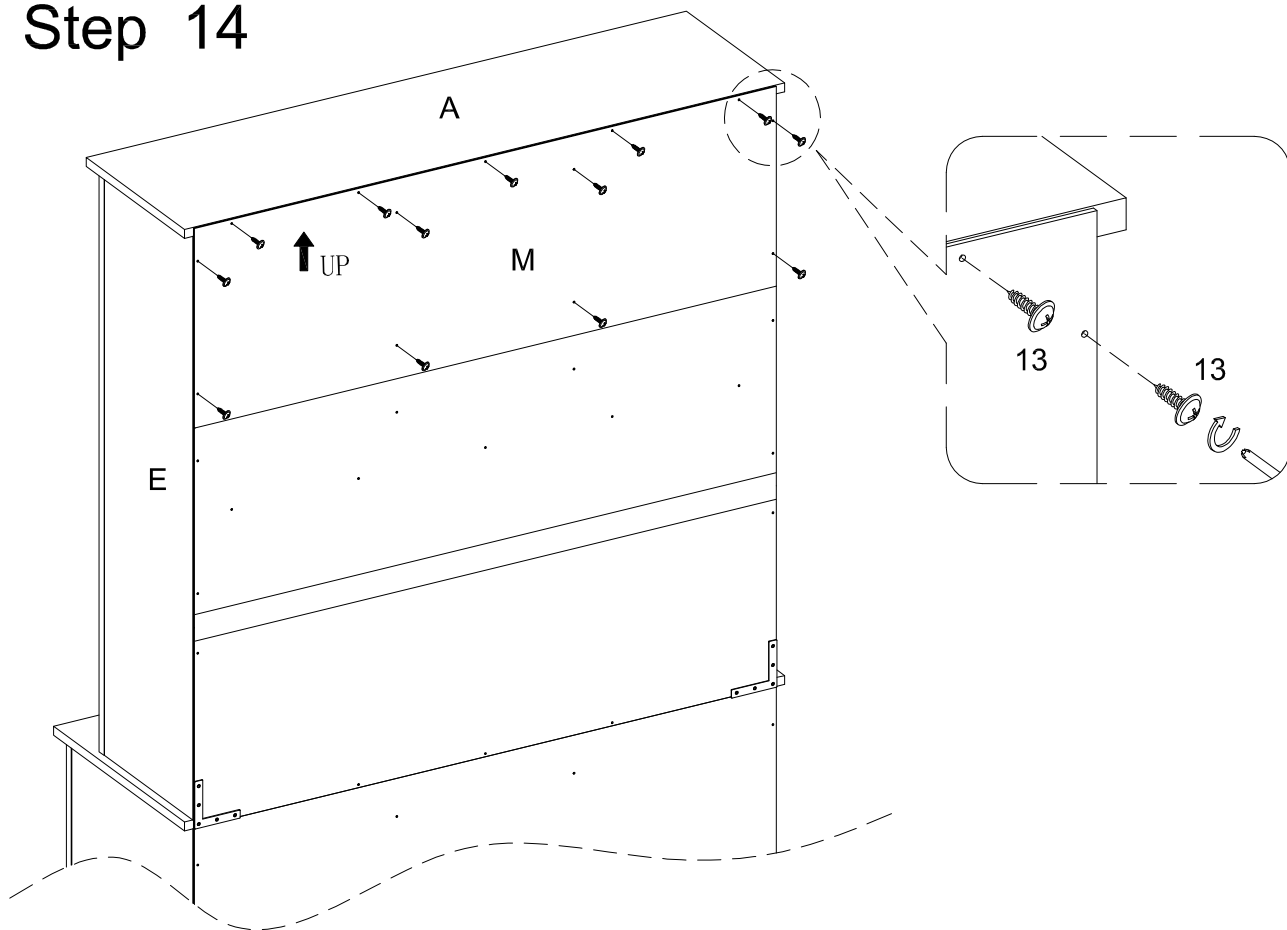
Step 12



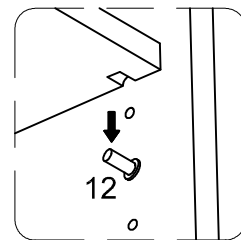
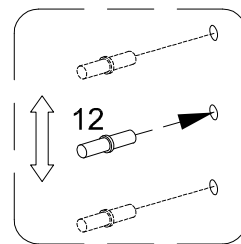
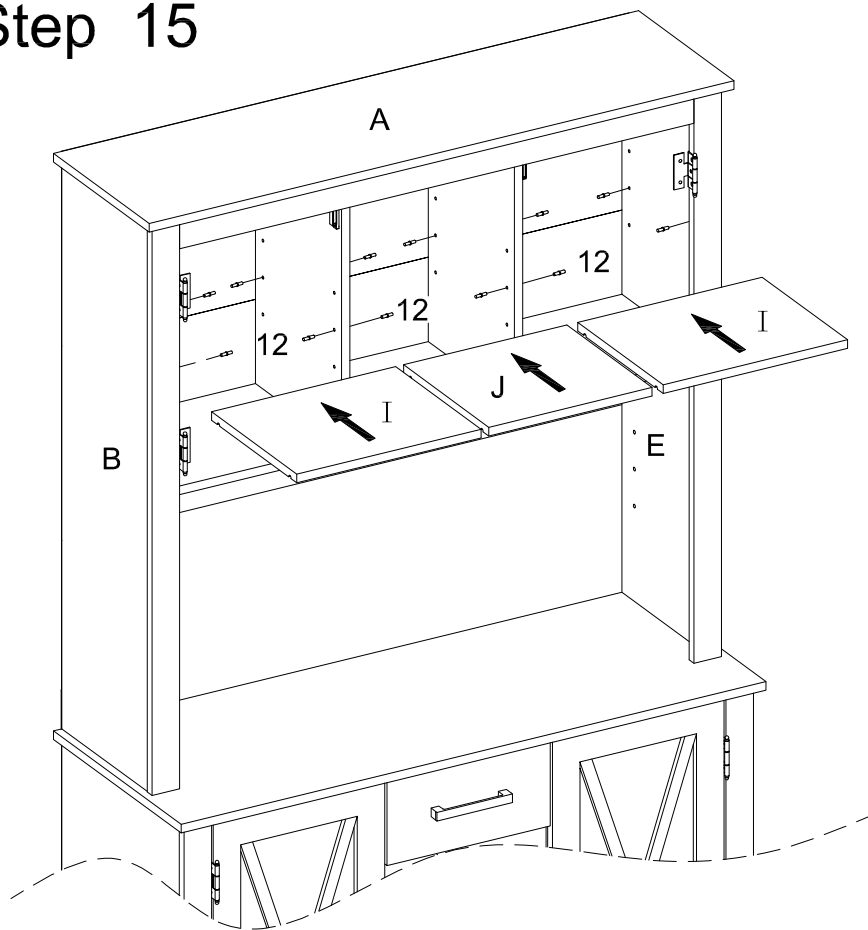
Step 13



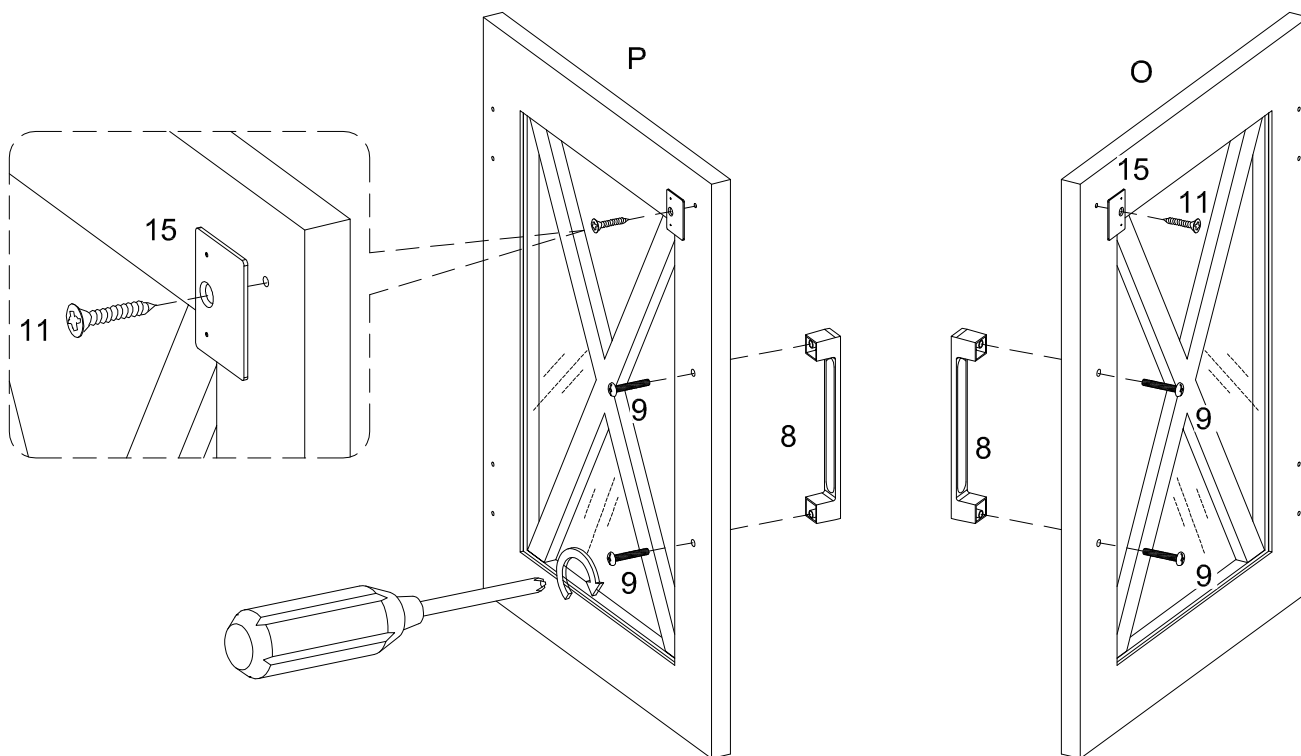
Step 14



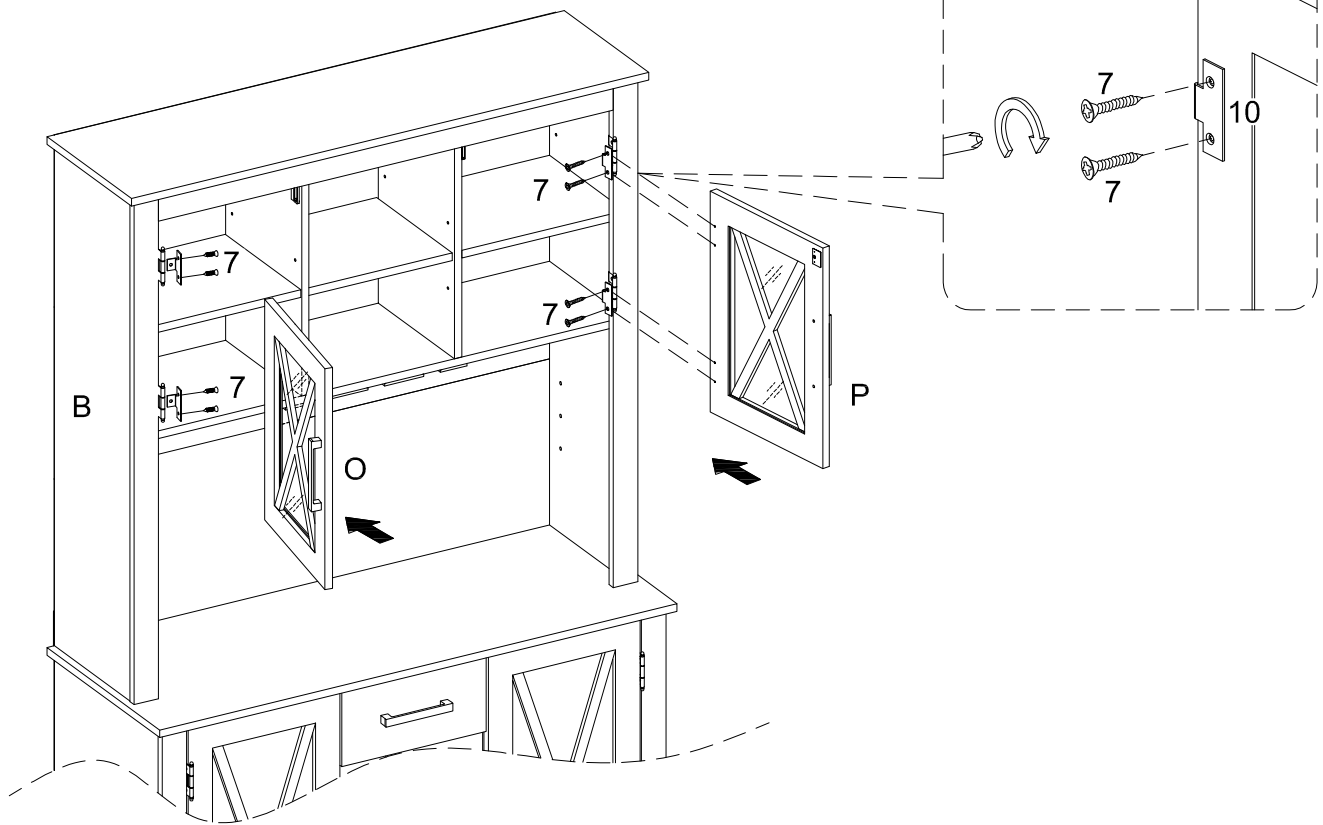
Step 15



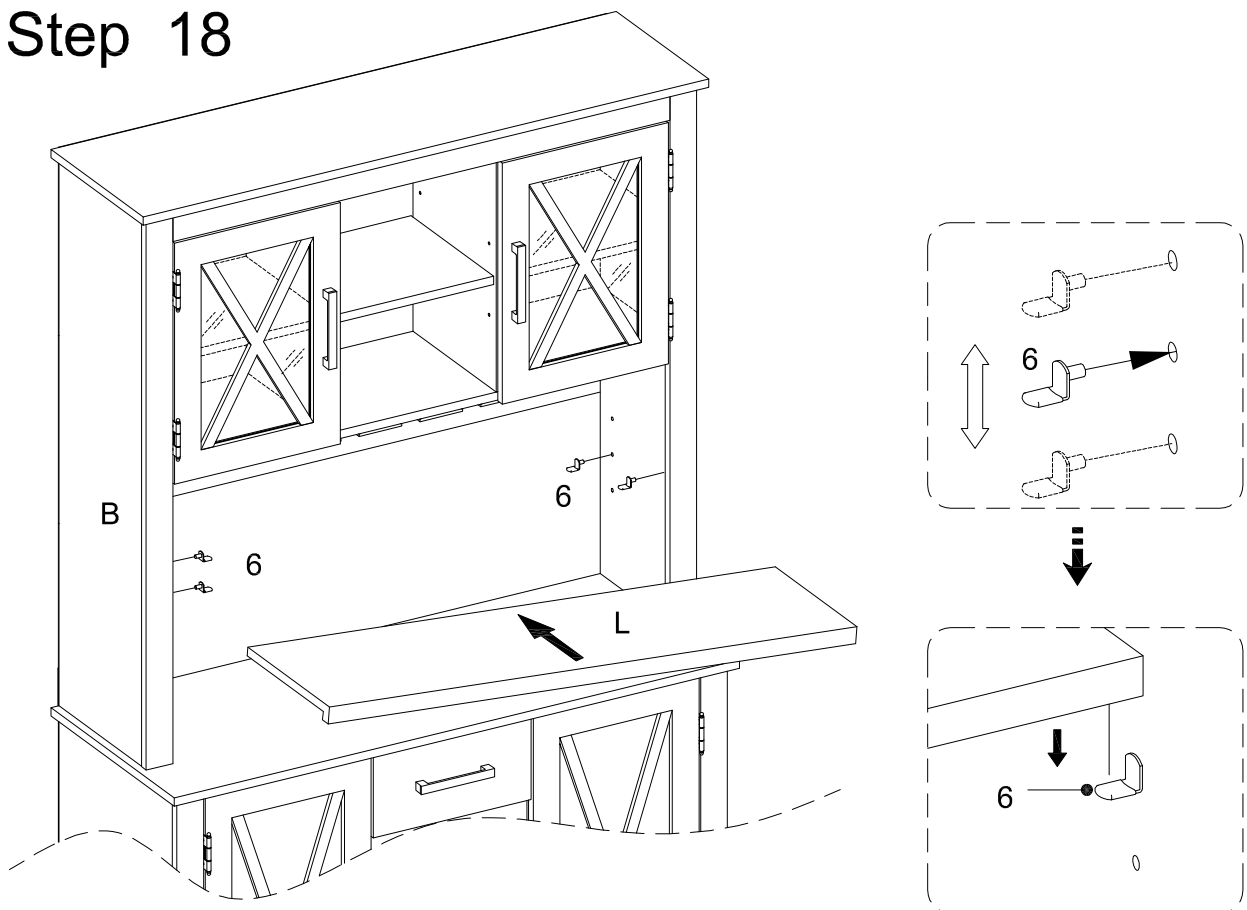
Step 16



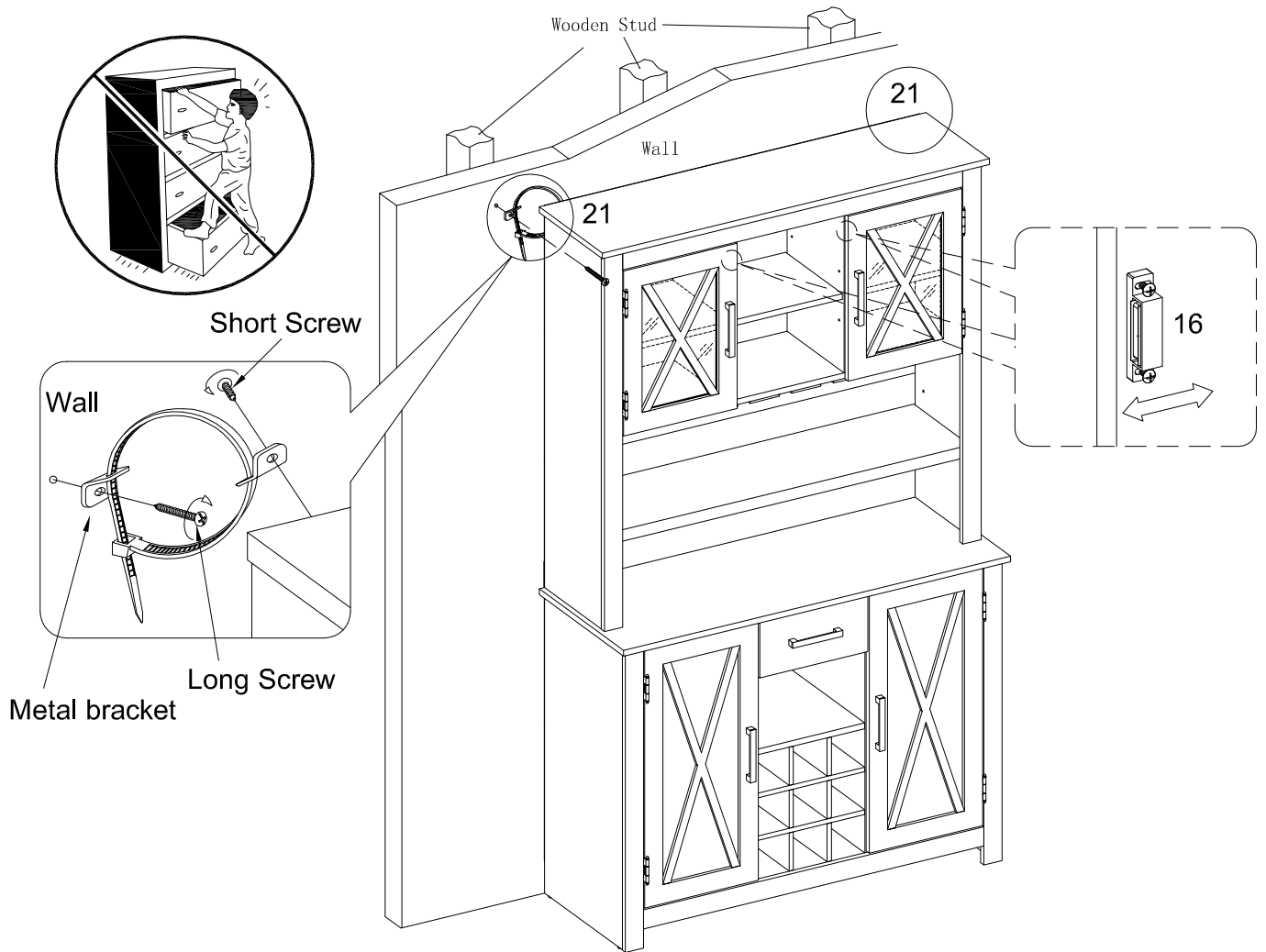
Step 17



Step 18



Step 19



WARNING: ALL SCREWS MUST BE TIGHTENED!