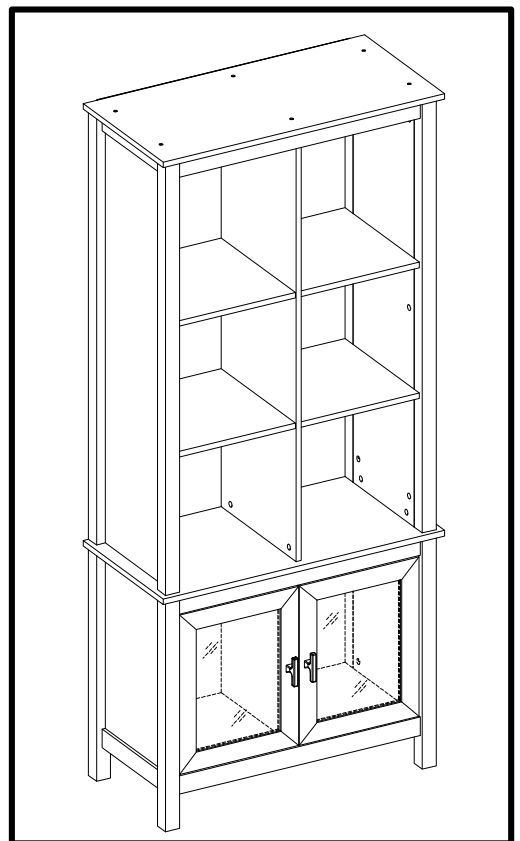
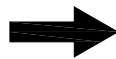
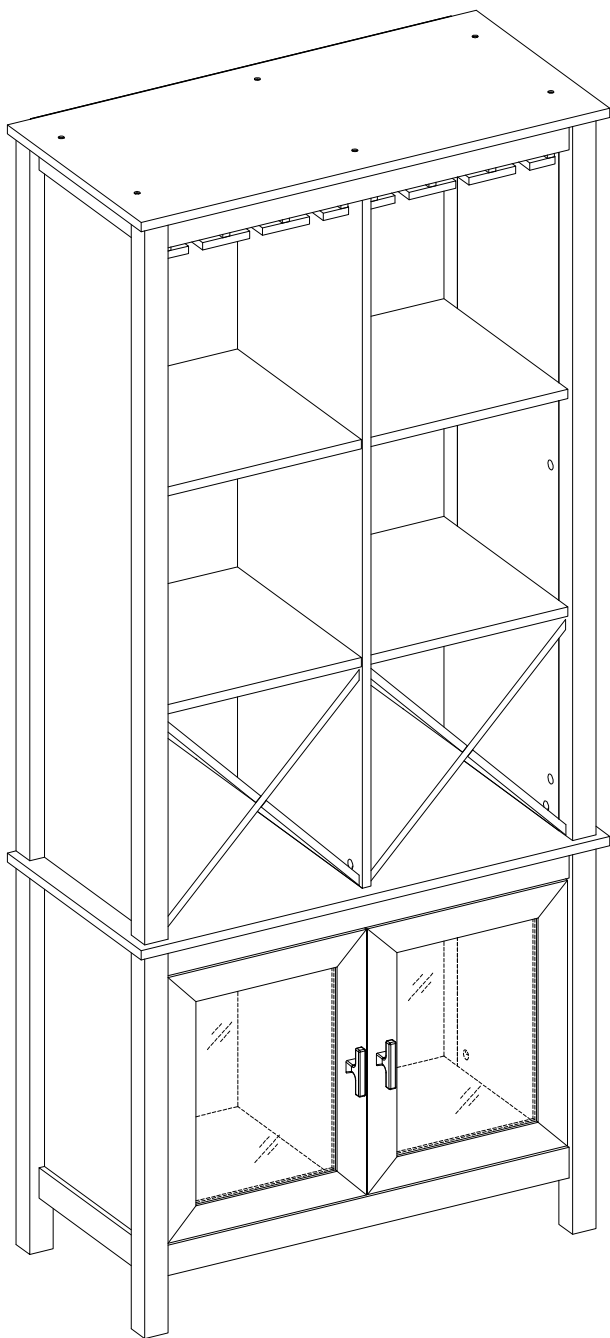


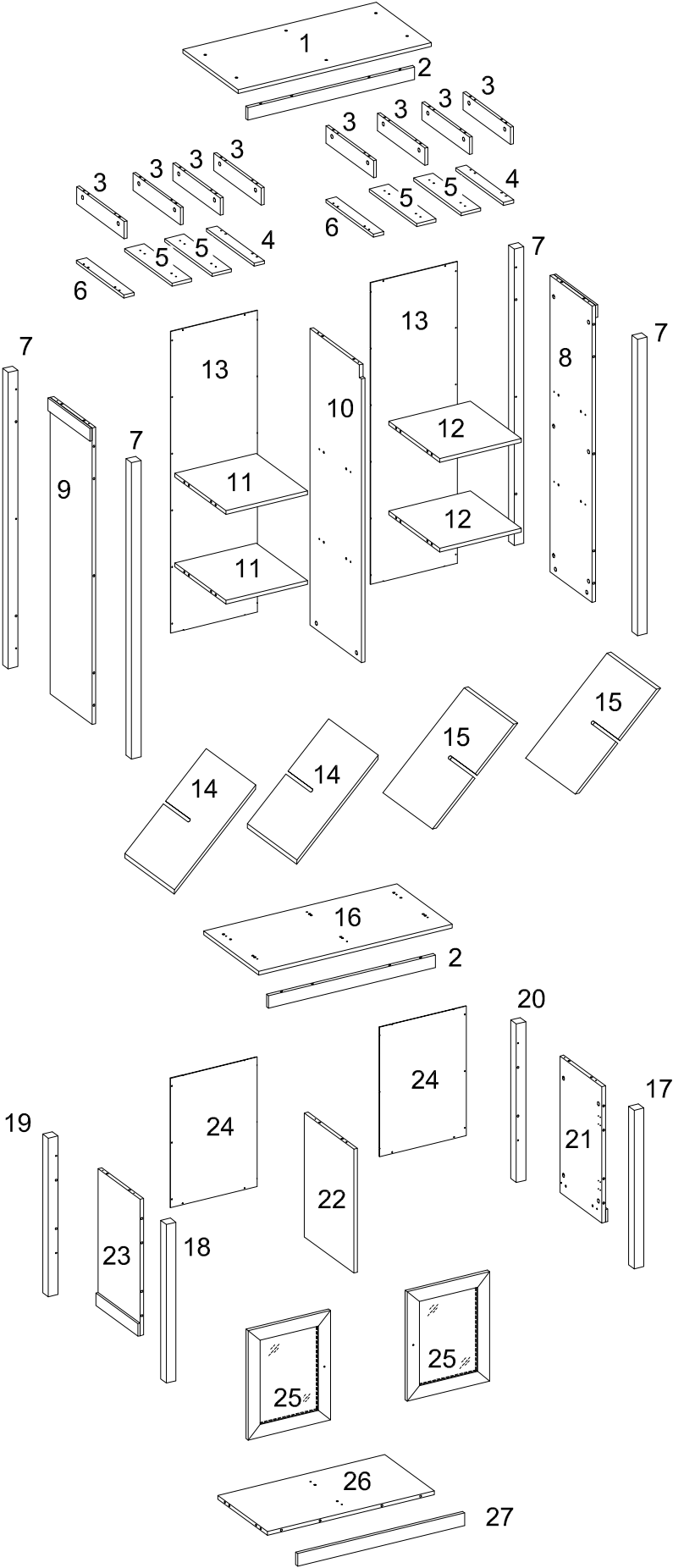
HOME SOURCE®

ASSEMBLY INSTRUCTION










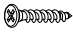
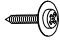



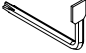

MODEL: JZ38 MH/WHITE/ESPRESSO

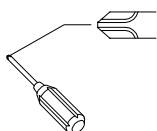


Parts List



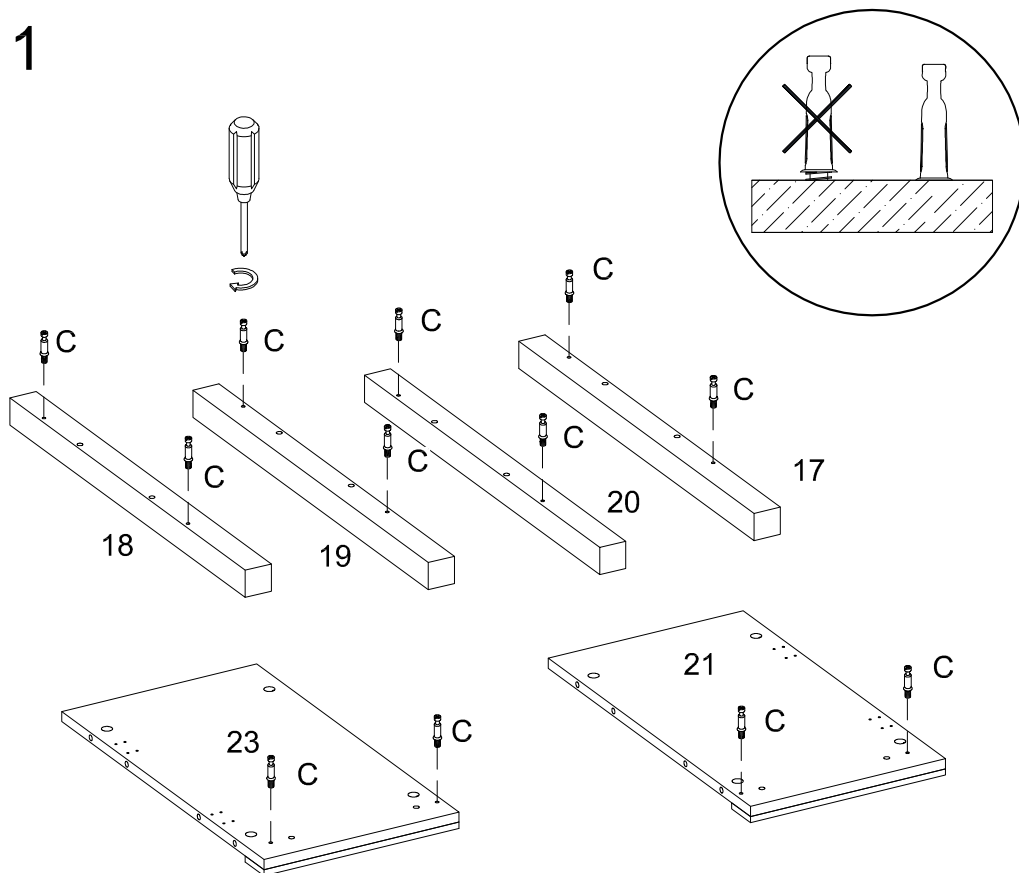
Hardware List

A		Ø8x30mm	Wood dowel	62 pcs
B		Ø6x30mm	Wood dowel	32 pcs
C		Ø6x35mm	Cam bolt	68 pcs
D		Ø15x11mm	Cam lock	52 pcs
E		Ø15x9mm	Small cam lock	16 pcs
F			Sticker	52 pcs
G			Handle	2 pcs
H		Ø4x22mm	Handle bolt	2 pcs
I			Europe Hinge	4 pcs
J		Ø3.5x15mm	Hinge screw	24 pcs
K		Ø3x15mm	Screw	39 pcs
L		Ø4x44mm	Fast screw	14 pcs
M		Ø4x38mm	Fast screw	16 pcs
N			Glue	1 pcs
O		M4mm	Hexagon socket key	1 pcs
P		Tipping Restraint Hardware (Inside Plastic White Bag)		2 set

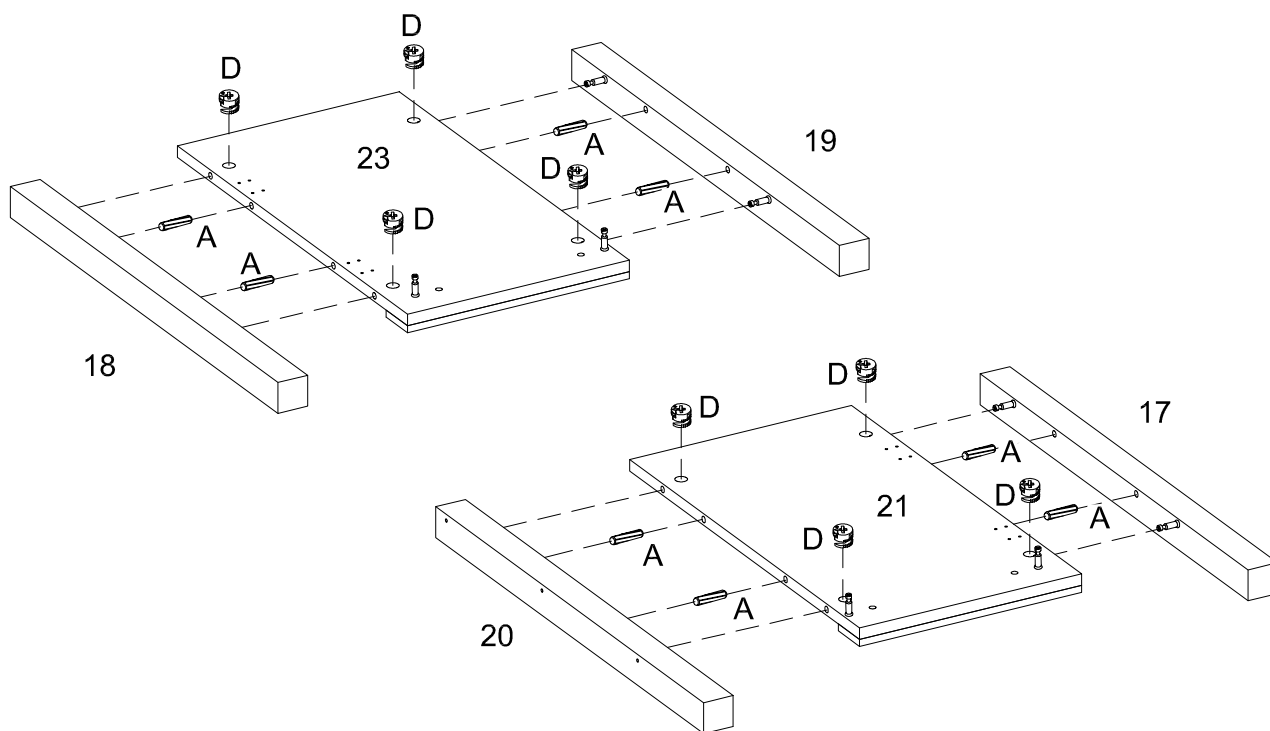
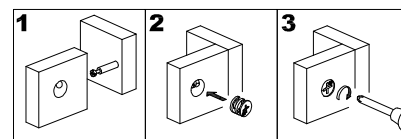


Philips head screwdriver required for assembly
(not included)

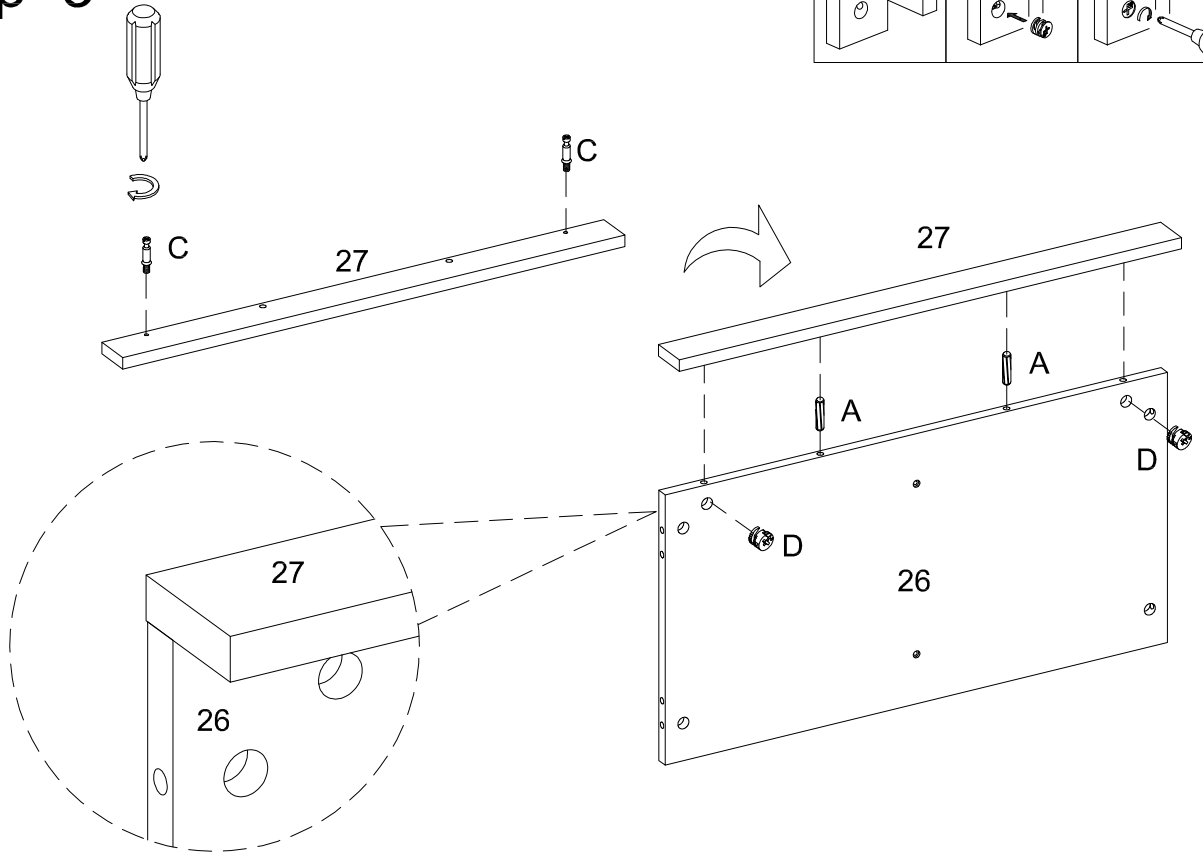
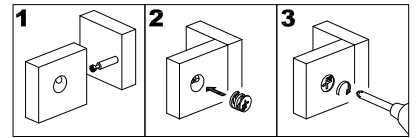
Step 1



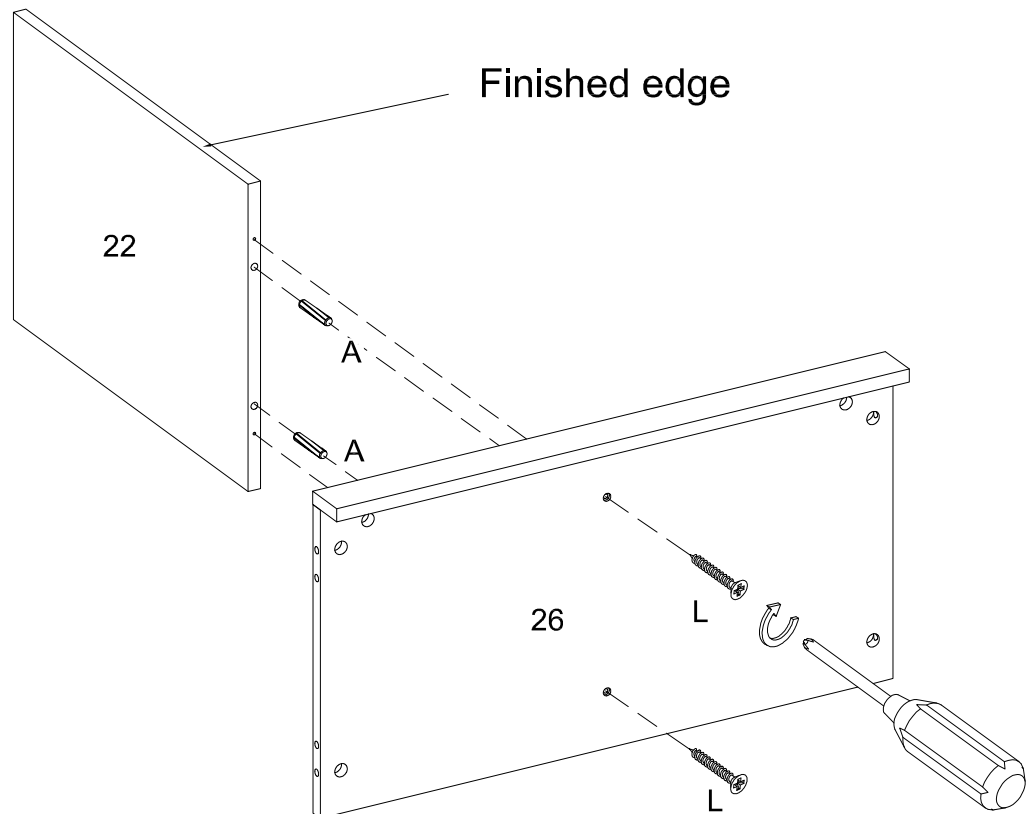
Step 2



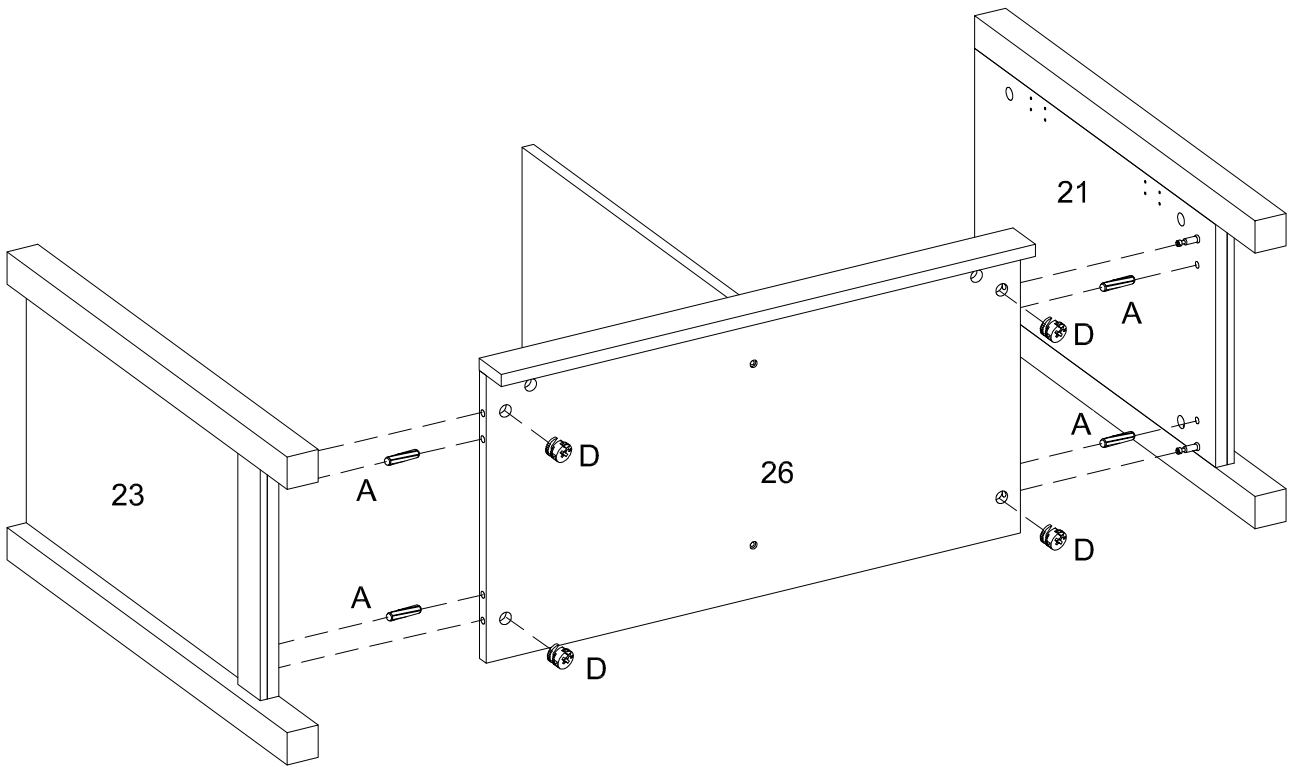
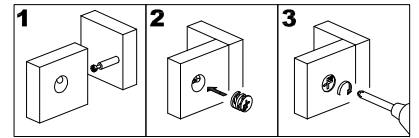
Step 3



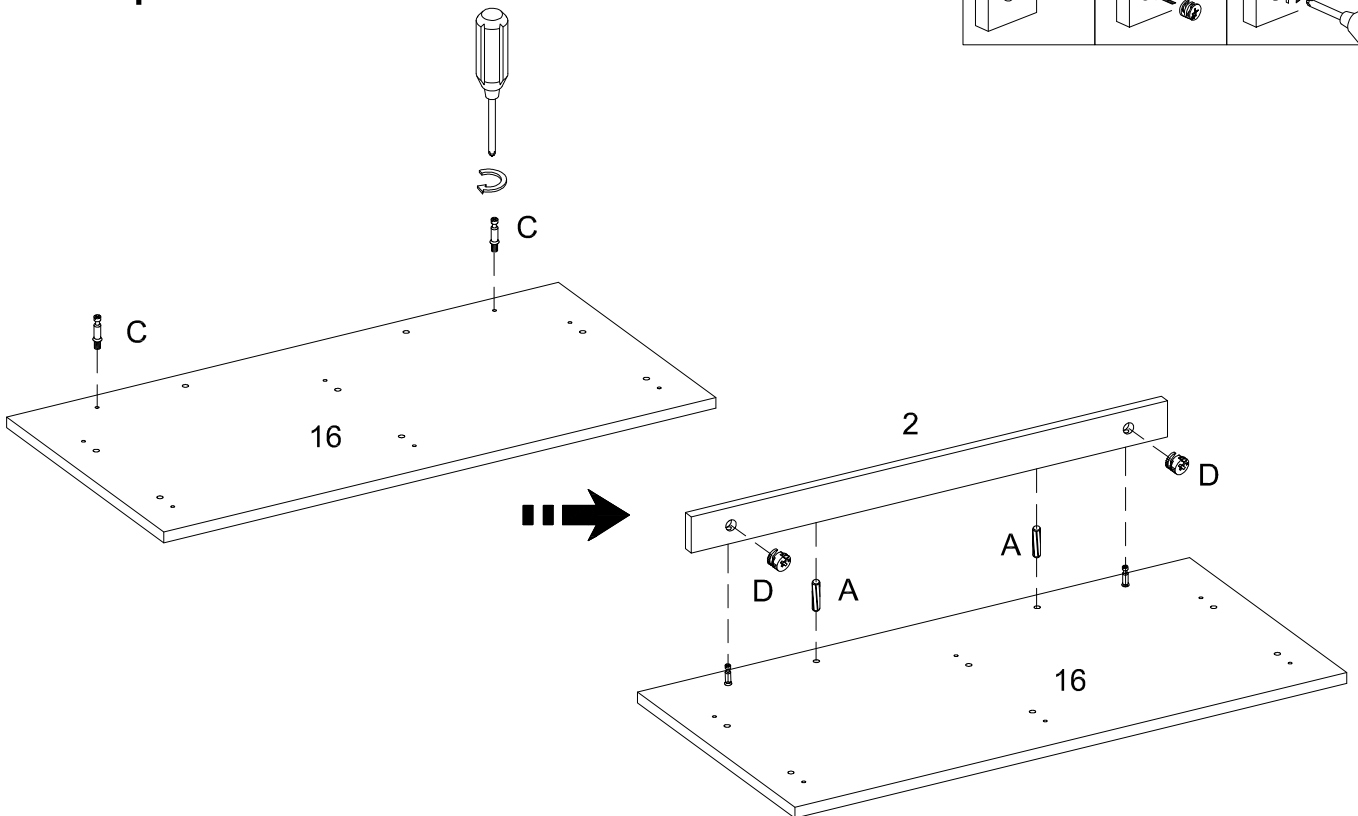
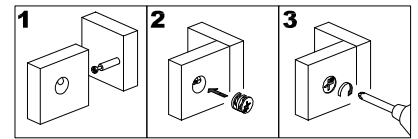
Step 4



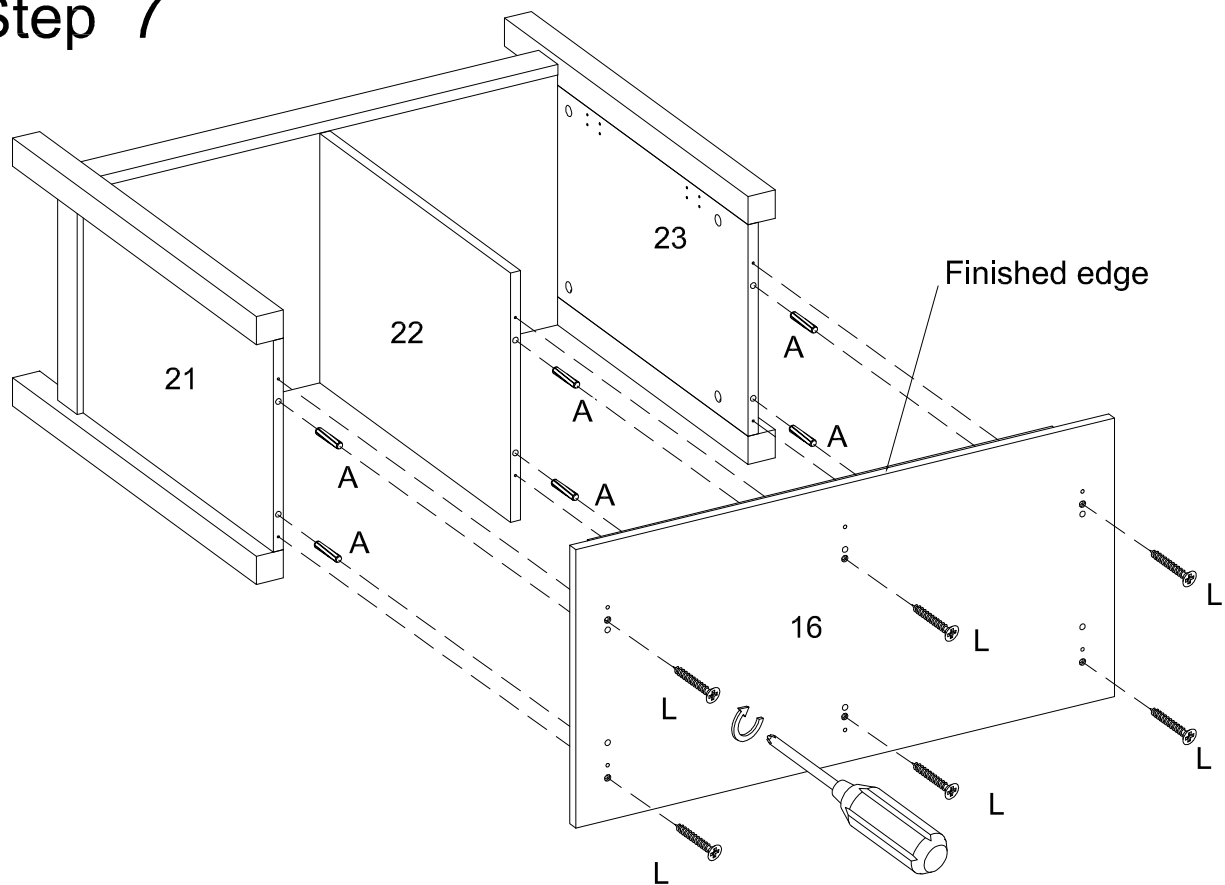
Step 5



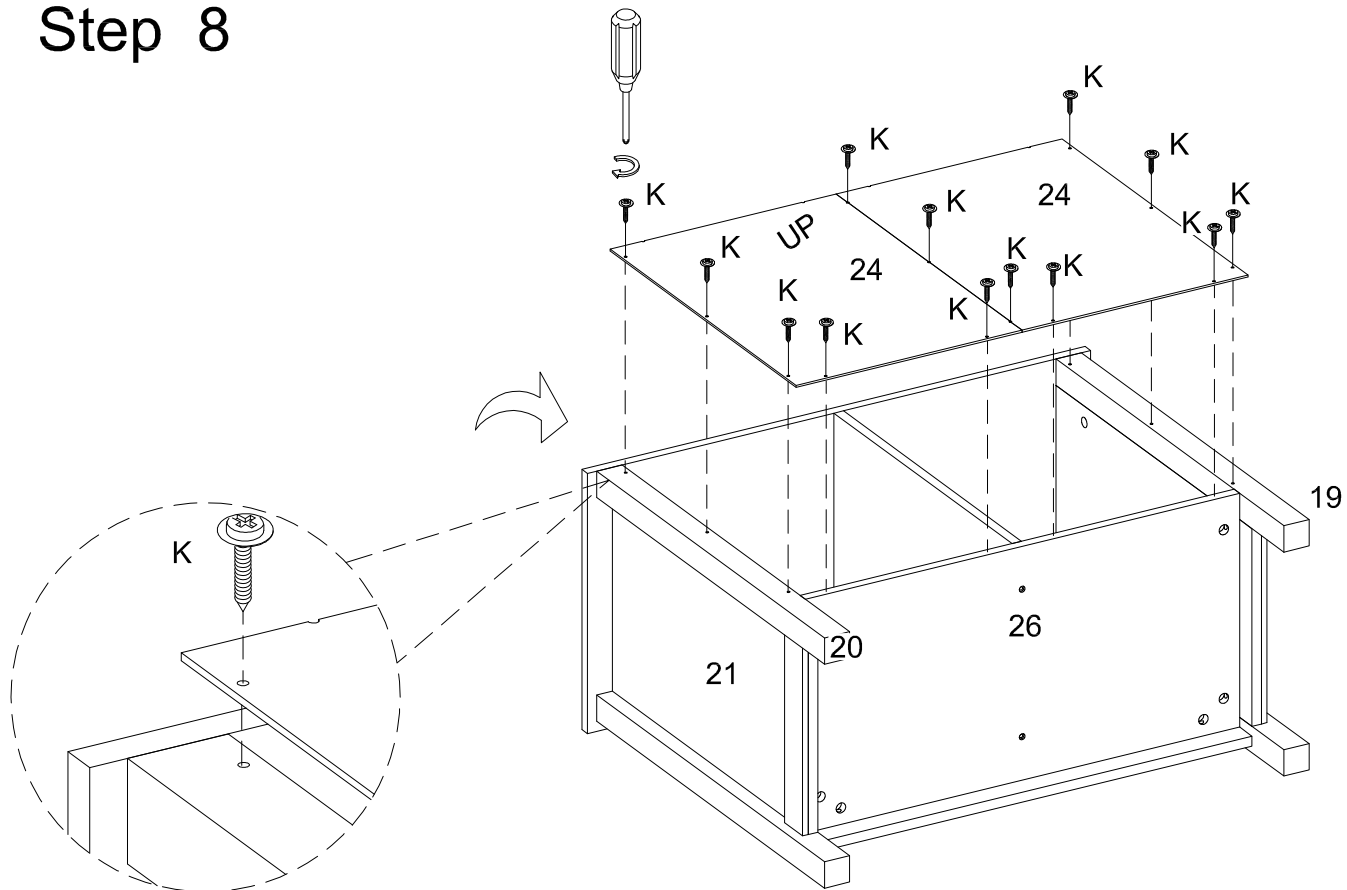
Step 6



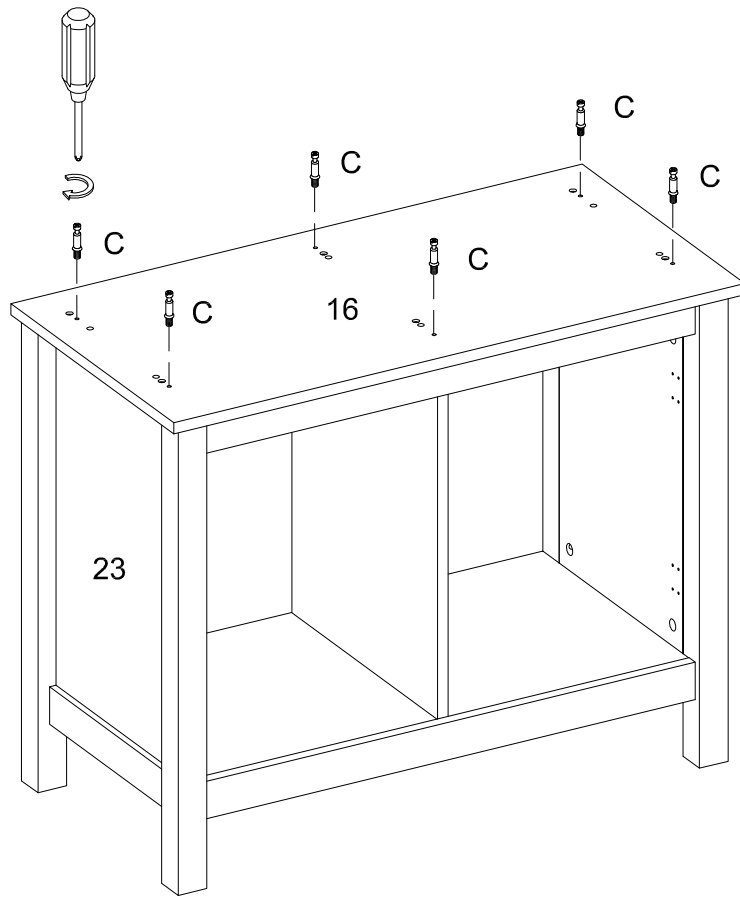
Step 7



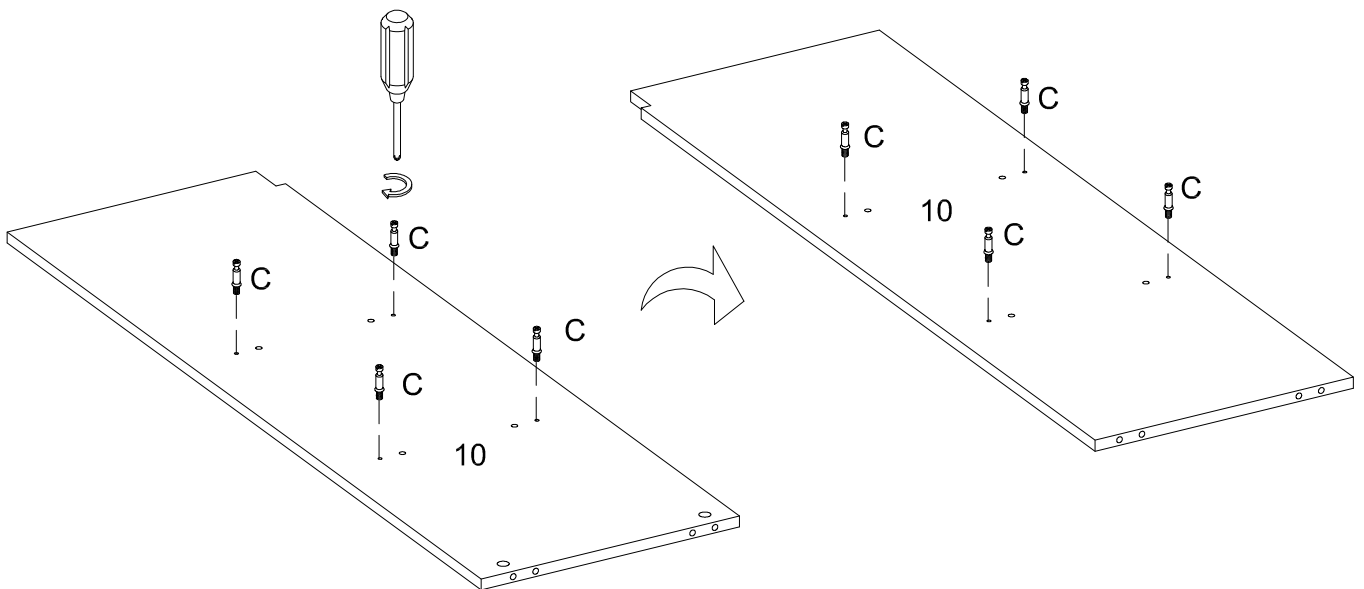
Step 8



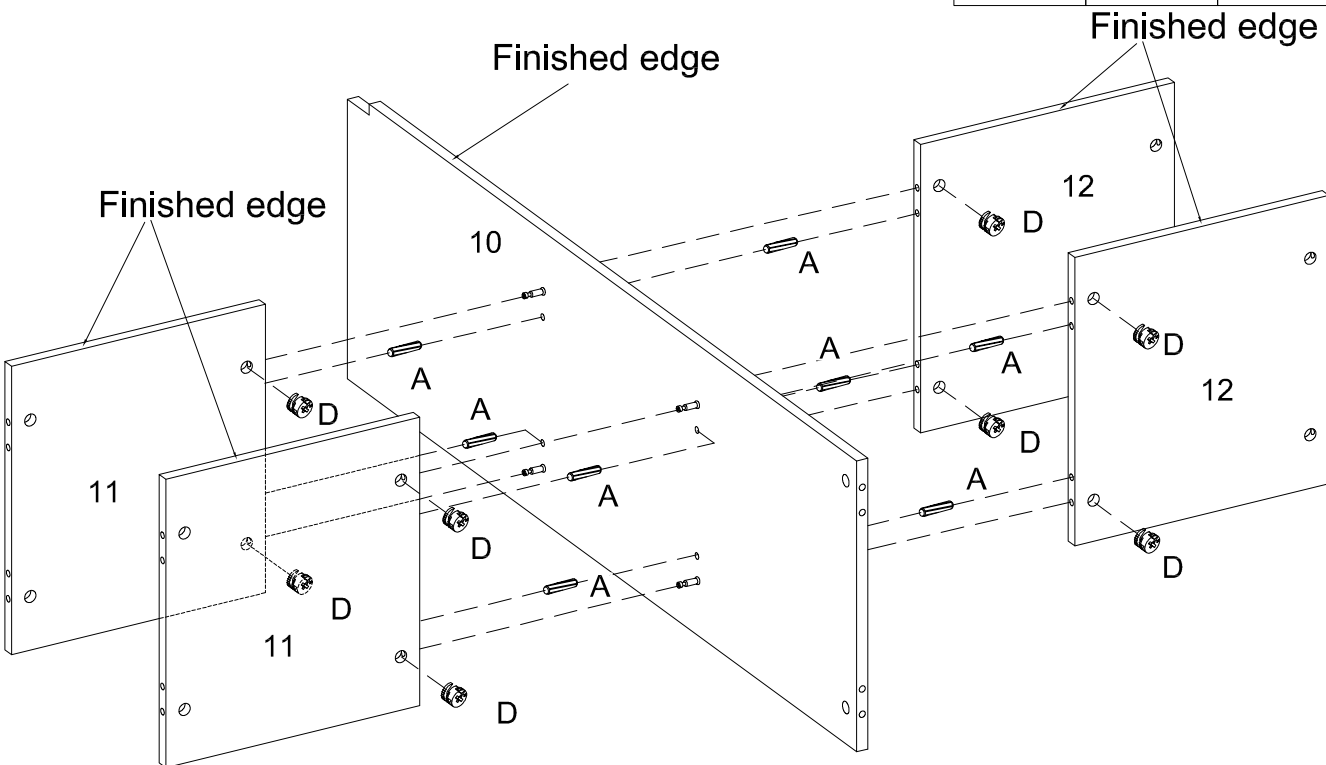
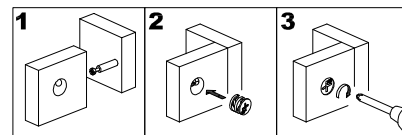
Step 9



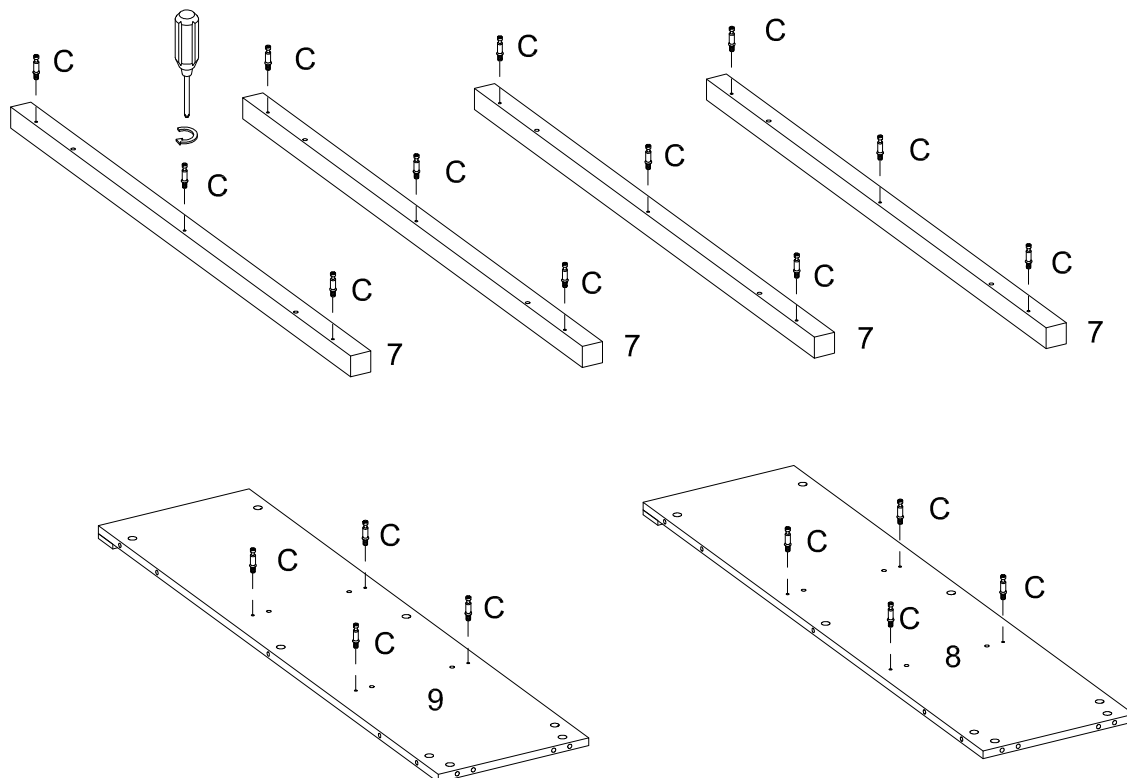
Step 10



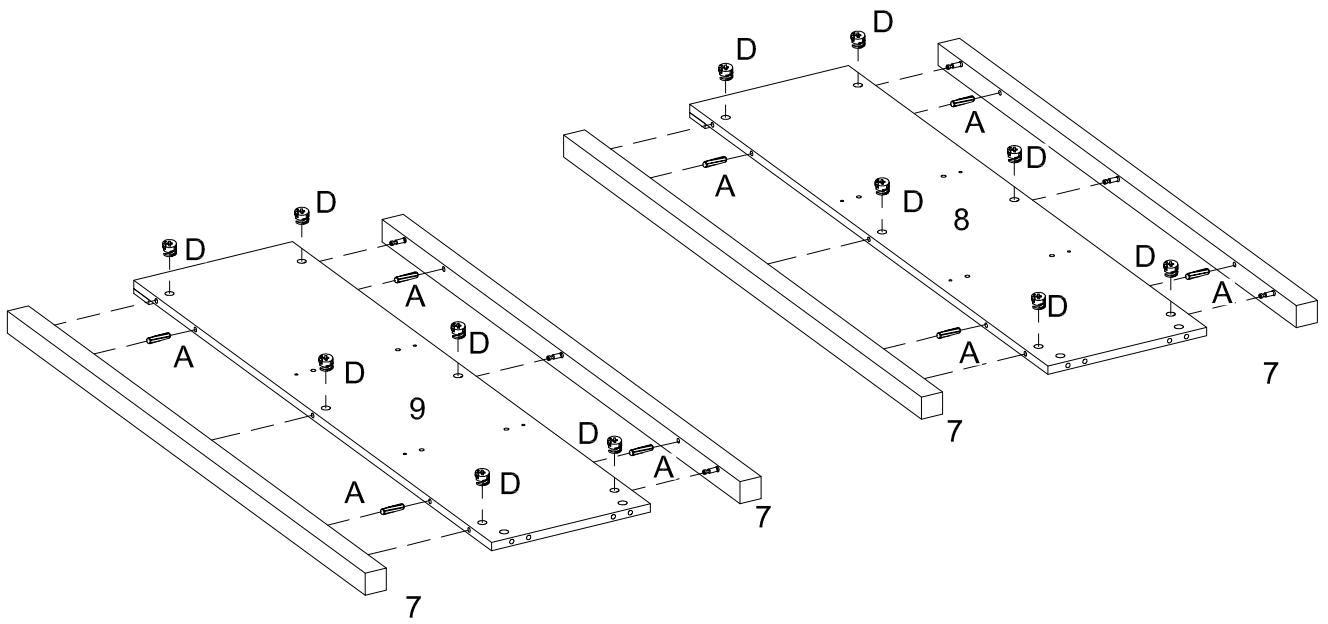
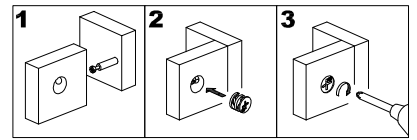
Step 11



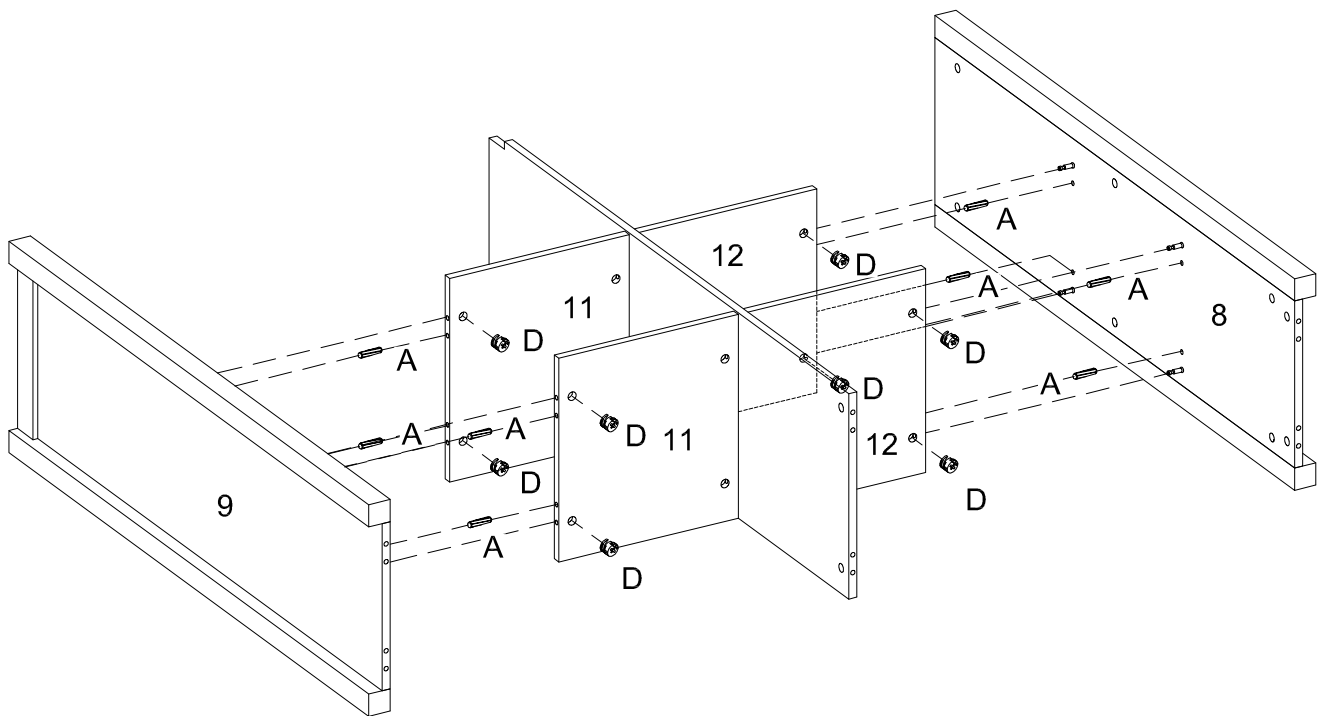
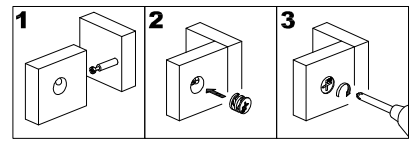
Step 12



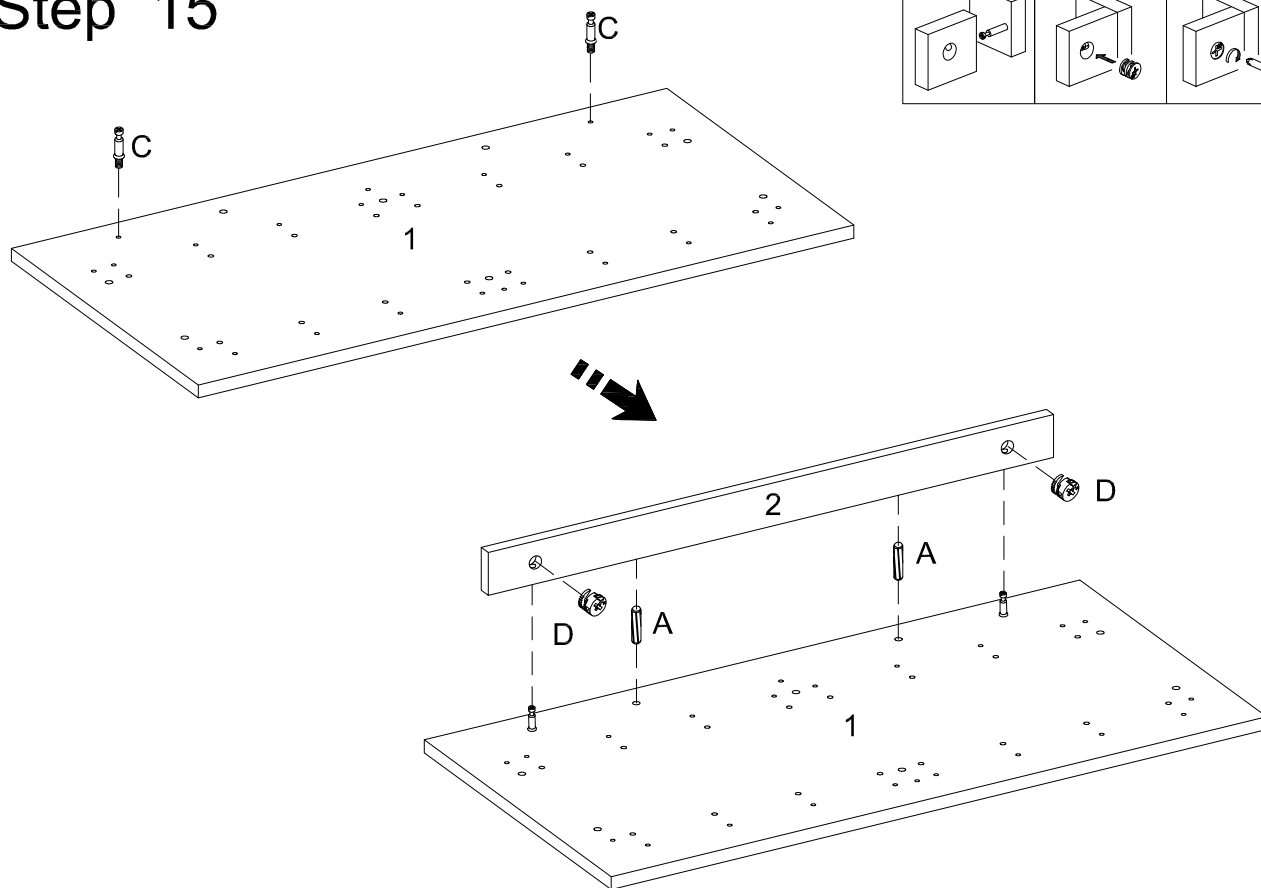
Step 13



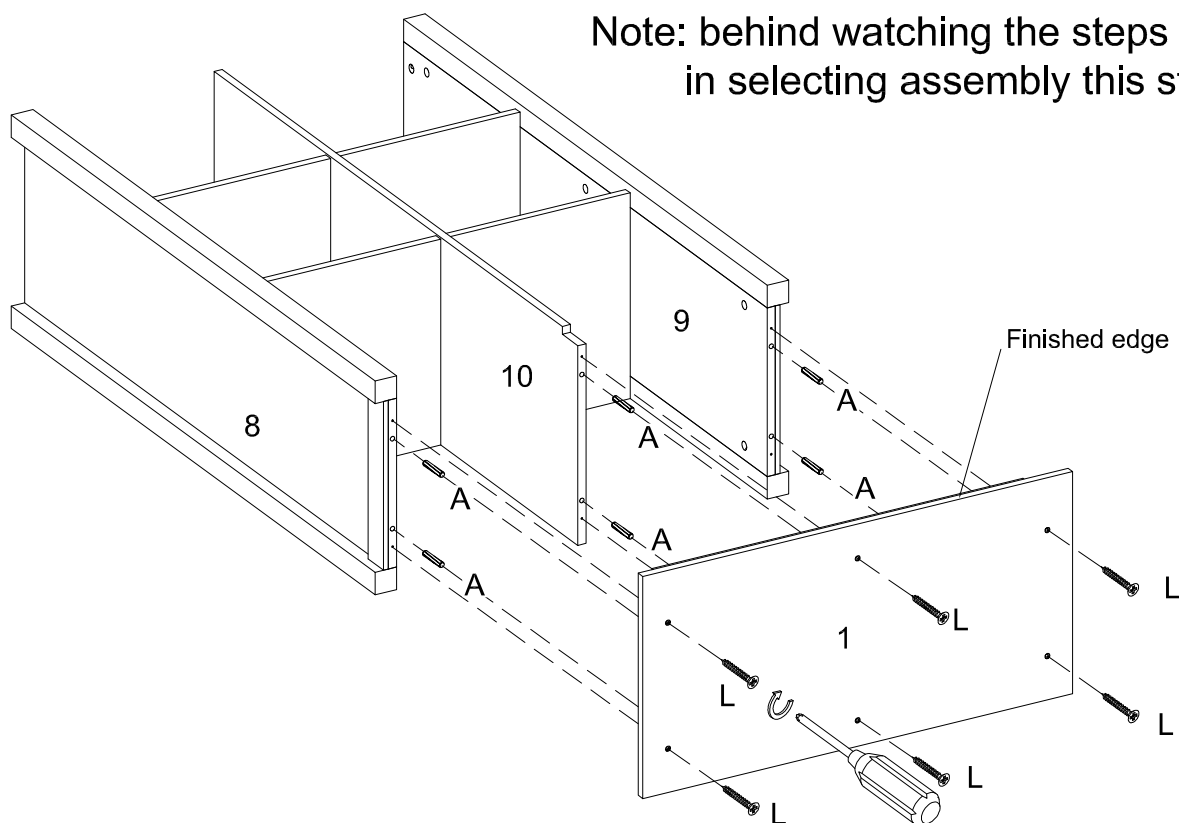
Step 14



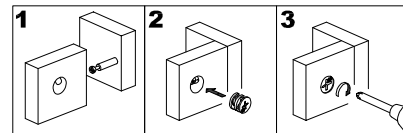
Step 15



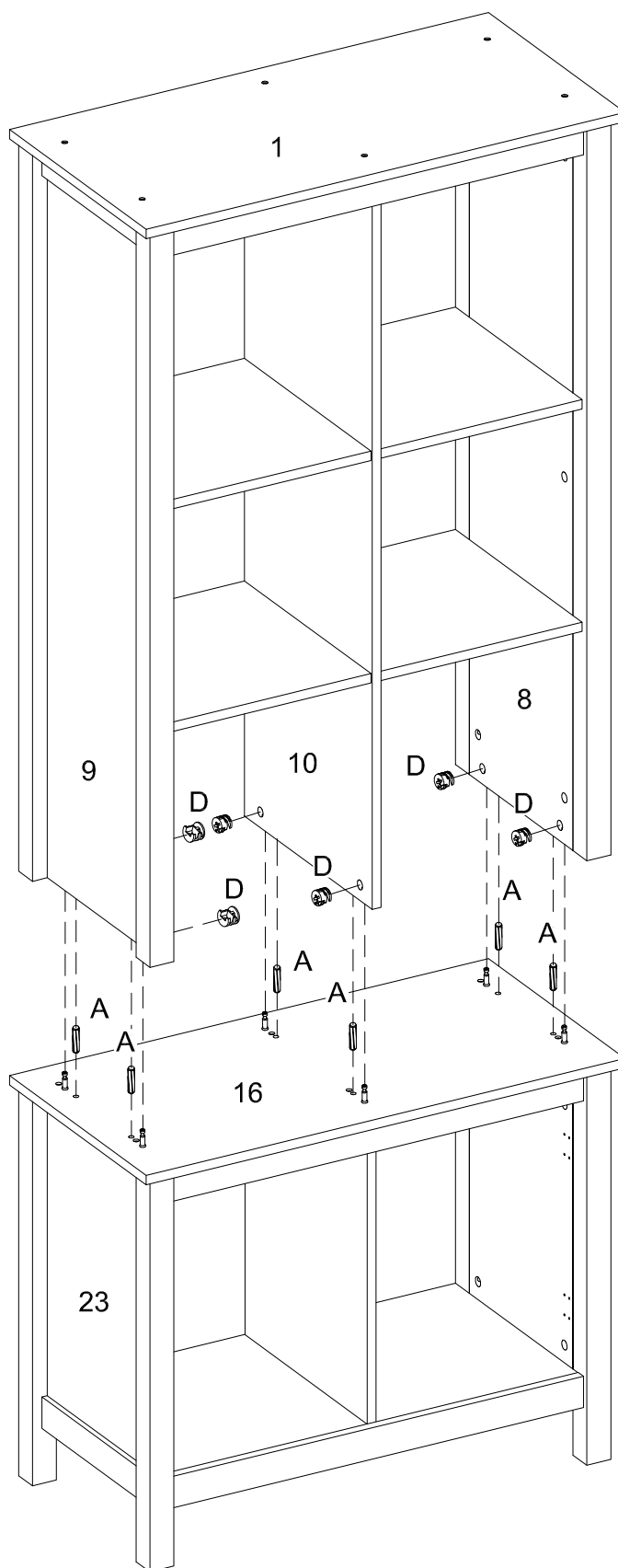
Step 16 Option A(Bookcase)



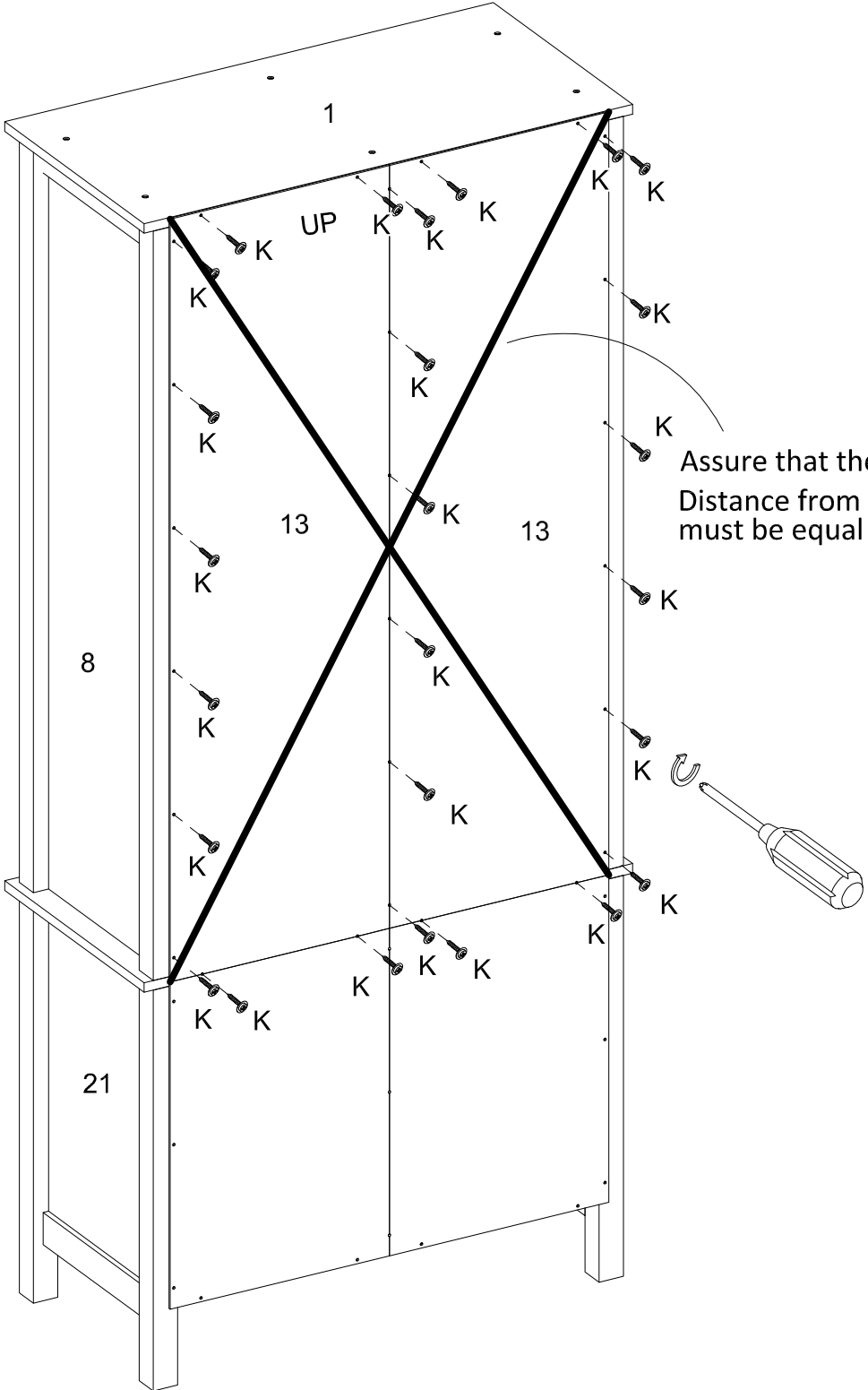
Step 17 Option A(Bookcase)



CAUTION: Heavy! You may need assistance with this step.



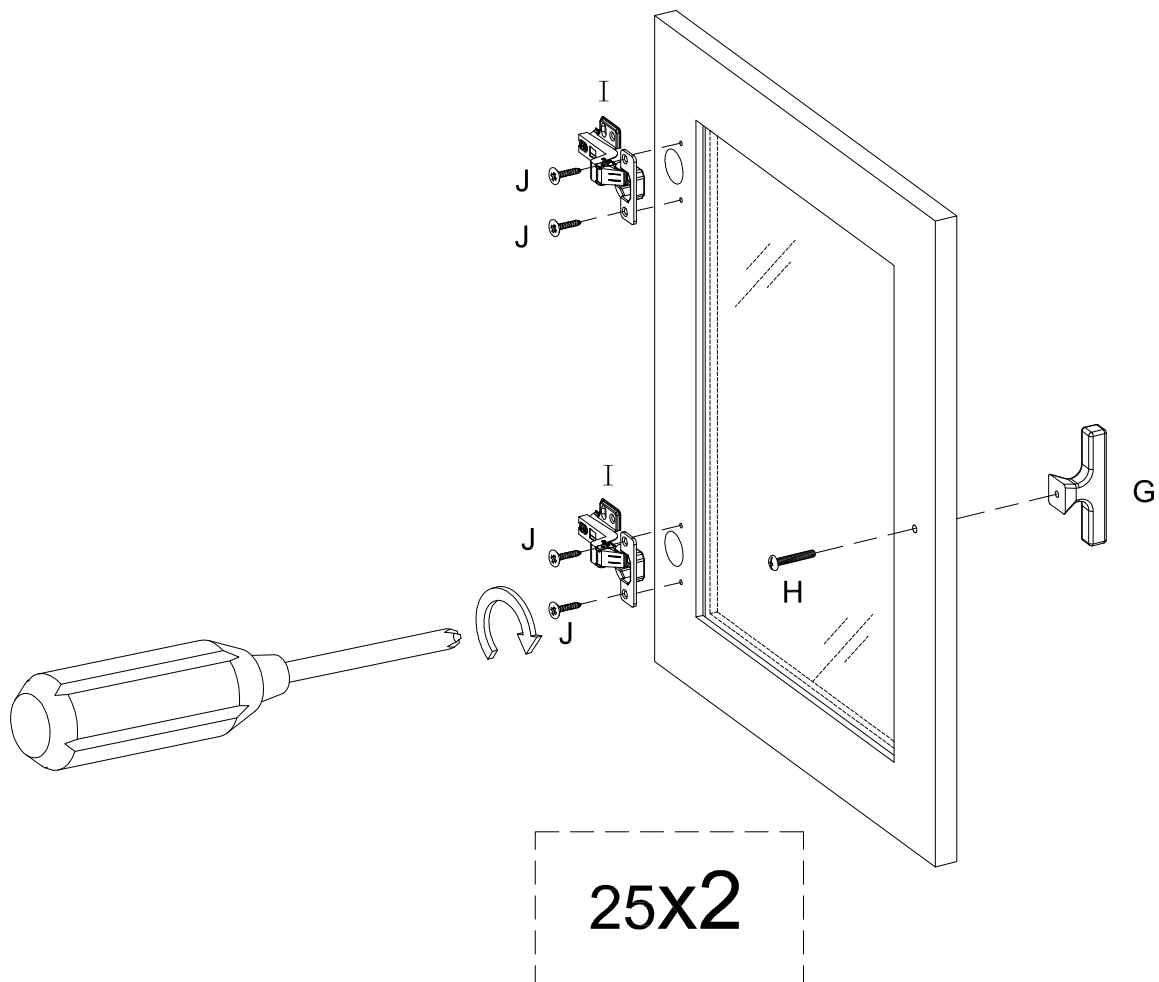
Step 18 Option A(Bookcase)



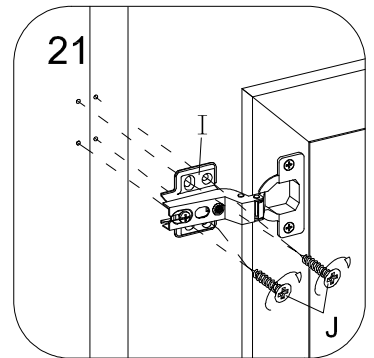
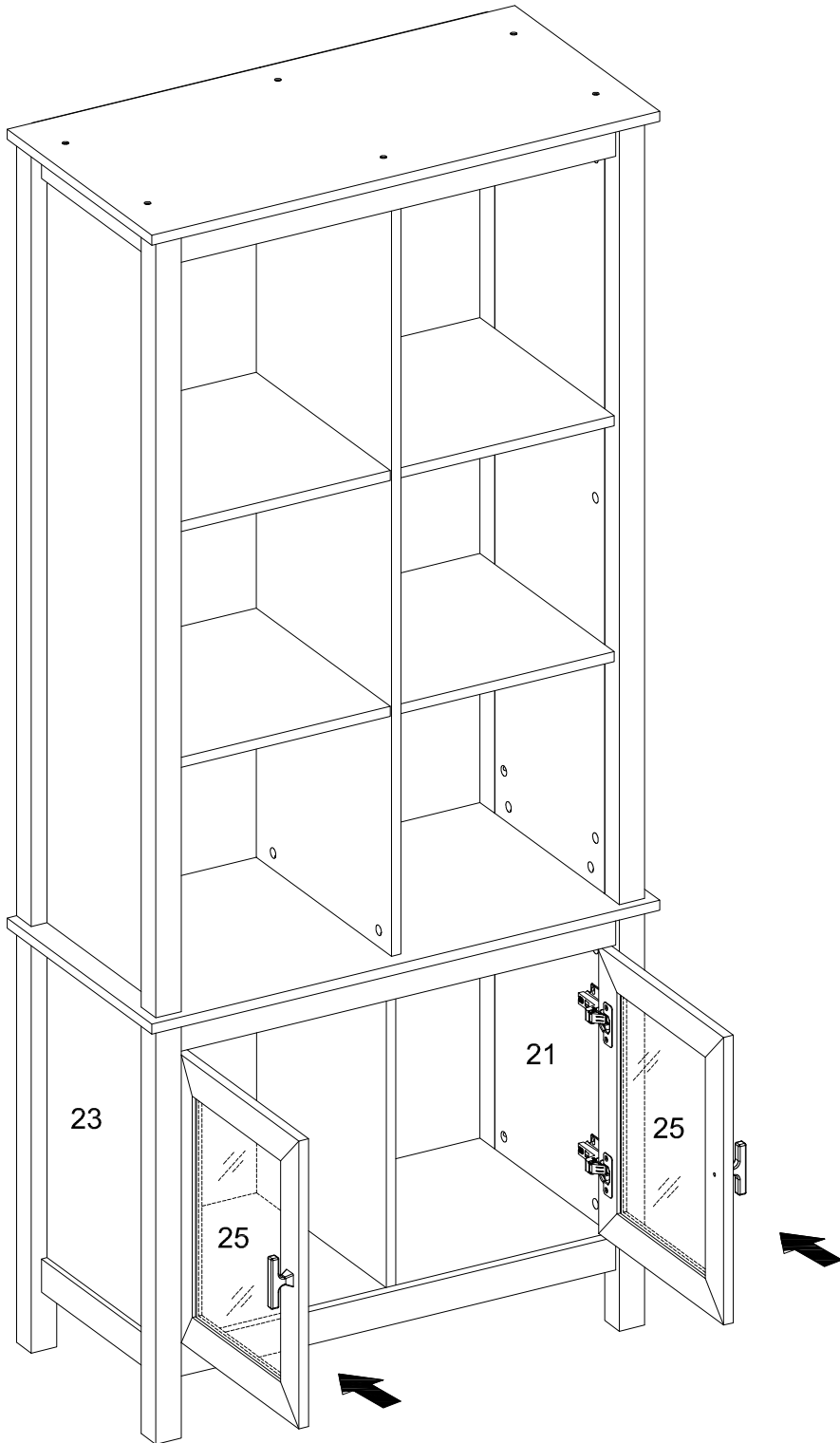
Assure that the unit is square.
Distance from corner to corner
must be equal as shown.

Step 19

Option A(Bookcase)



Step 20 Option A(Bookcase)



Step 21

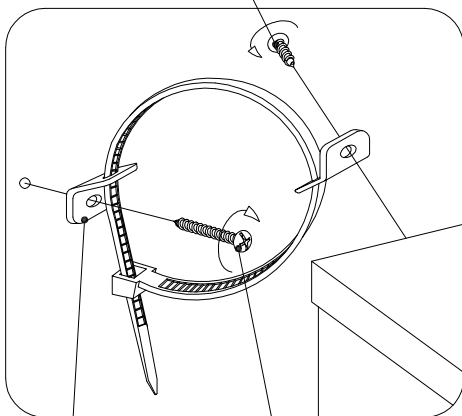
Option A(Bookcase)

WARNING

You must install the tip restraint hardware to help prevent any accidents or damage to the unit. We strongly recommend attaching the tip restraint hardware to a wall stud and your unit. For all other wall types, please visit your local hardware store to obtain the proper hardware.

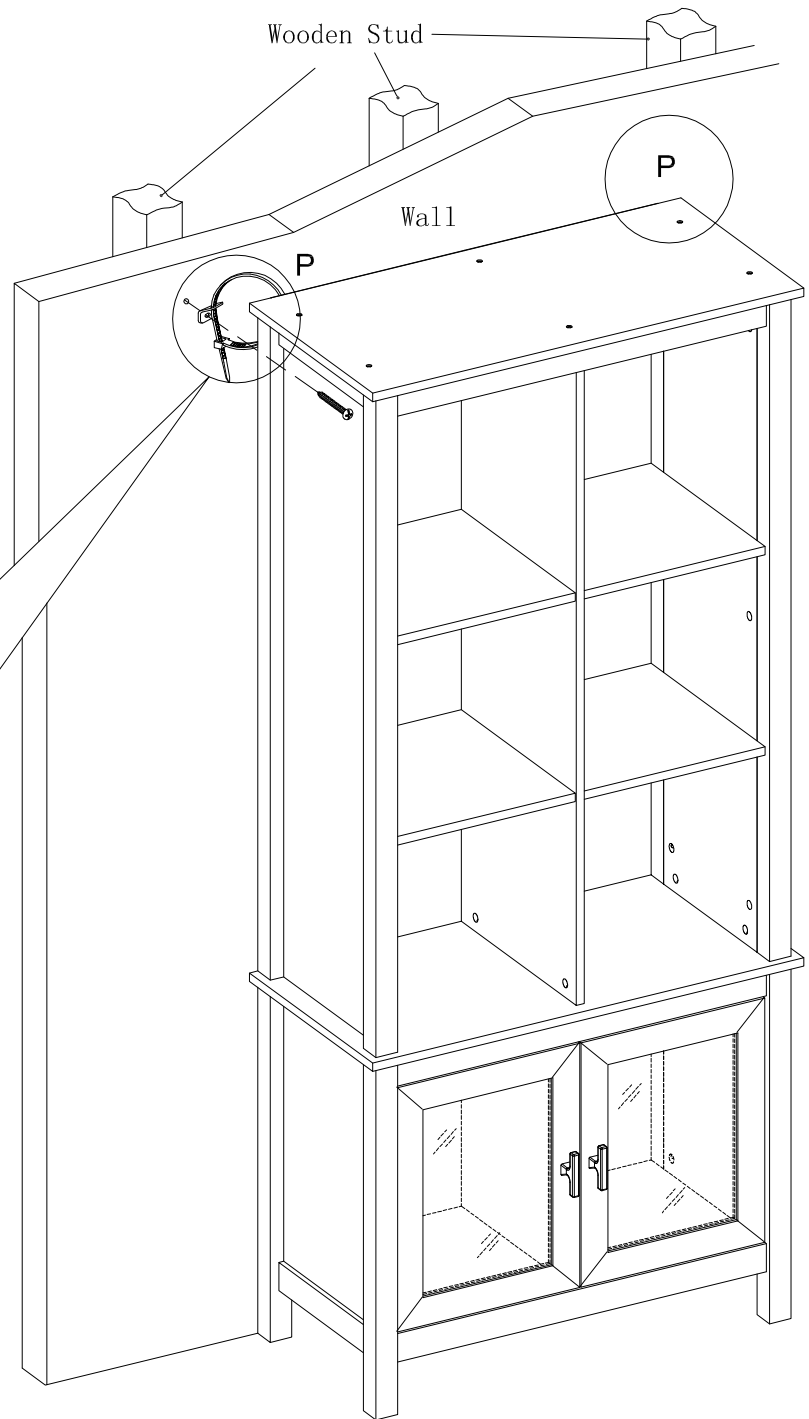


Short Screw



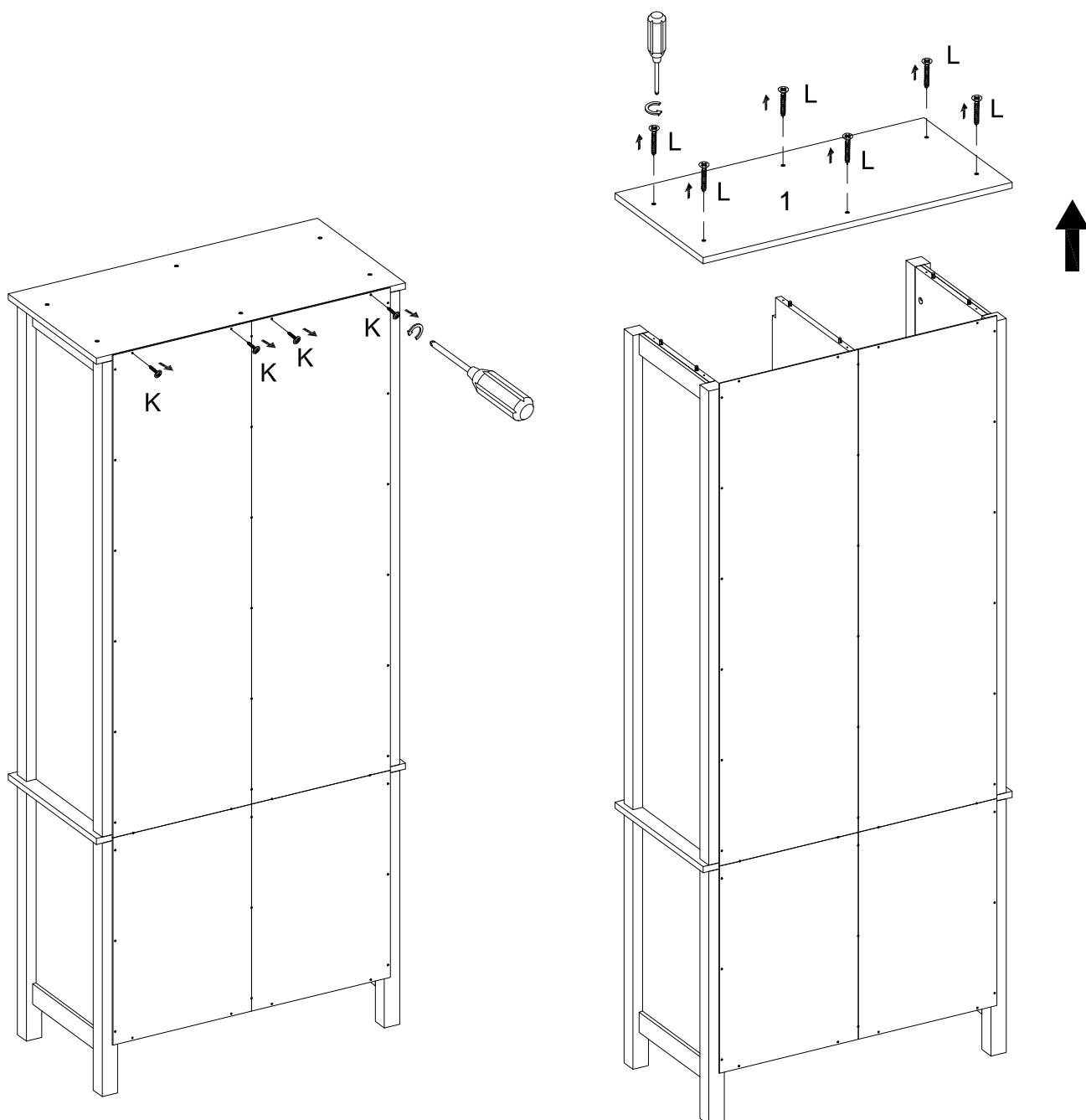
Metal Bracket

Long Screw



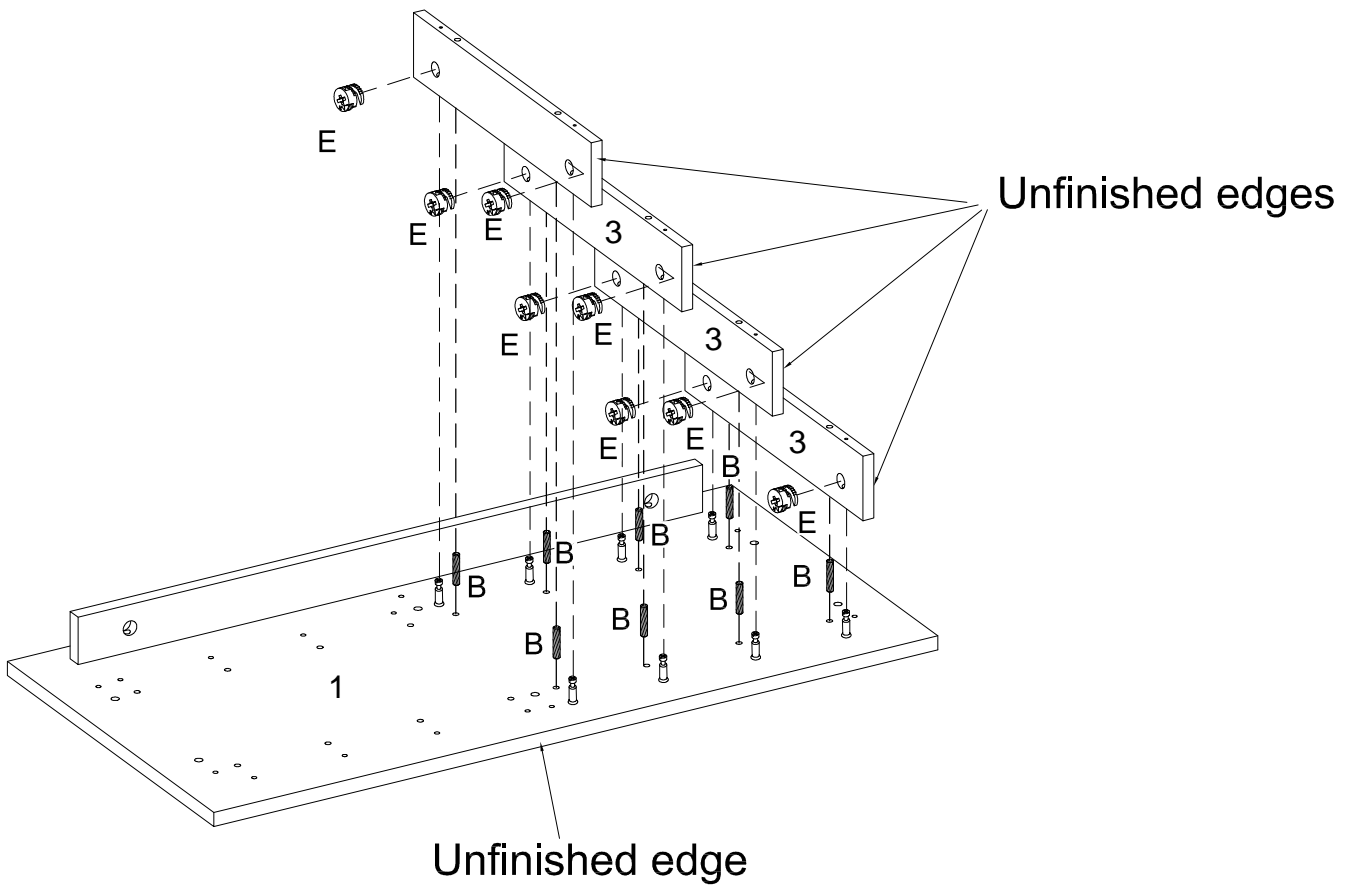
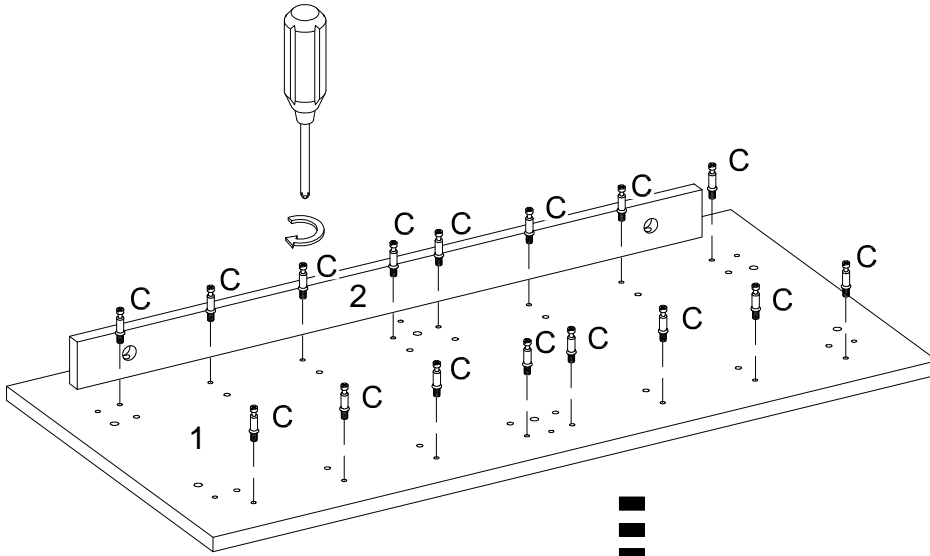
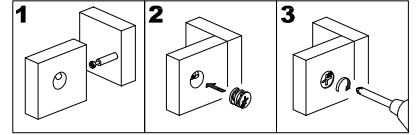
Step 22

Option B(Bar)



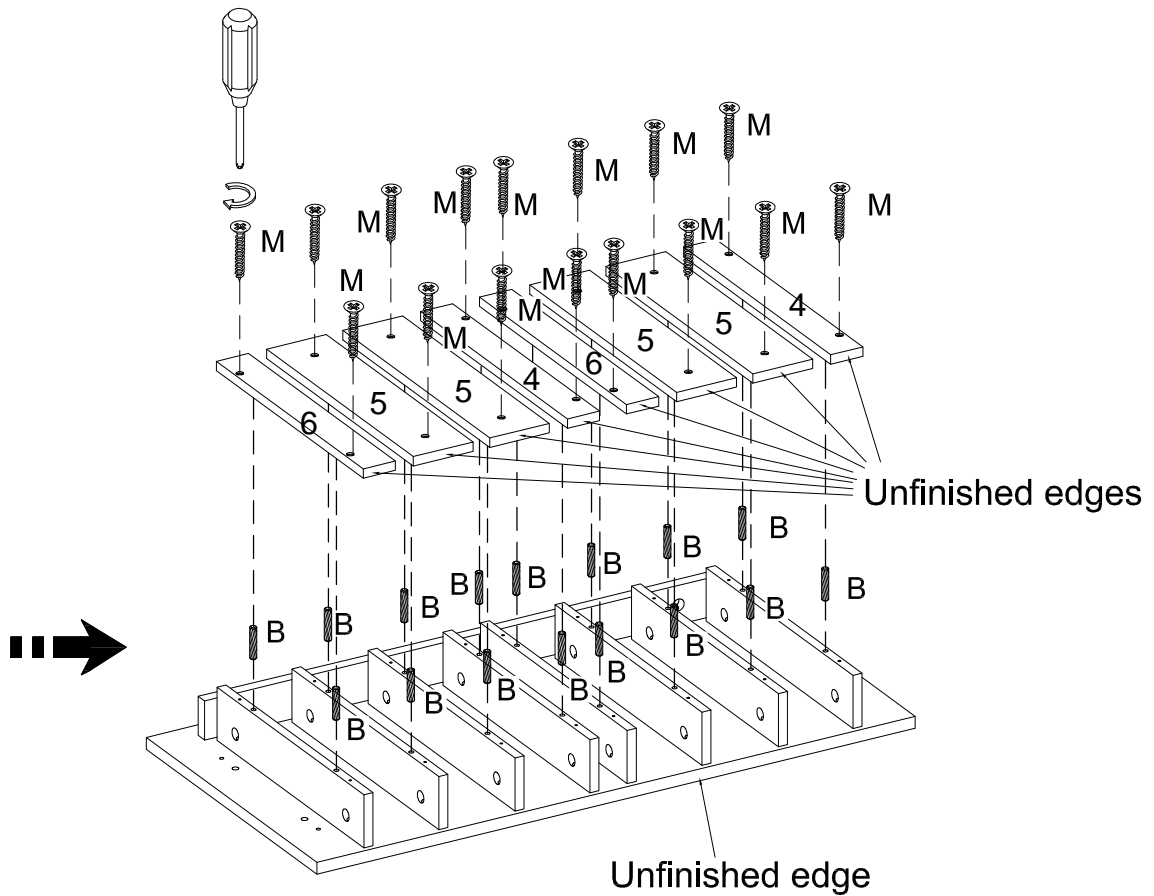
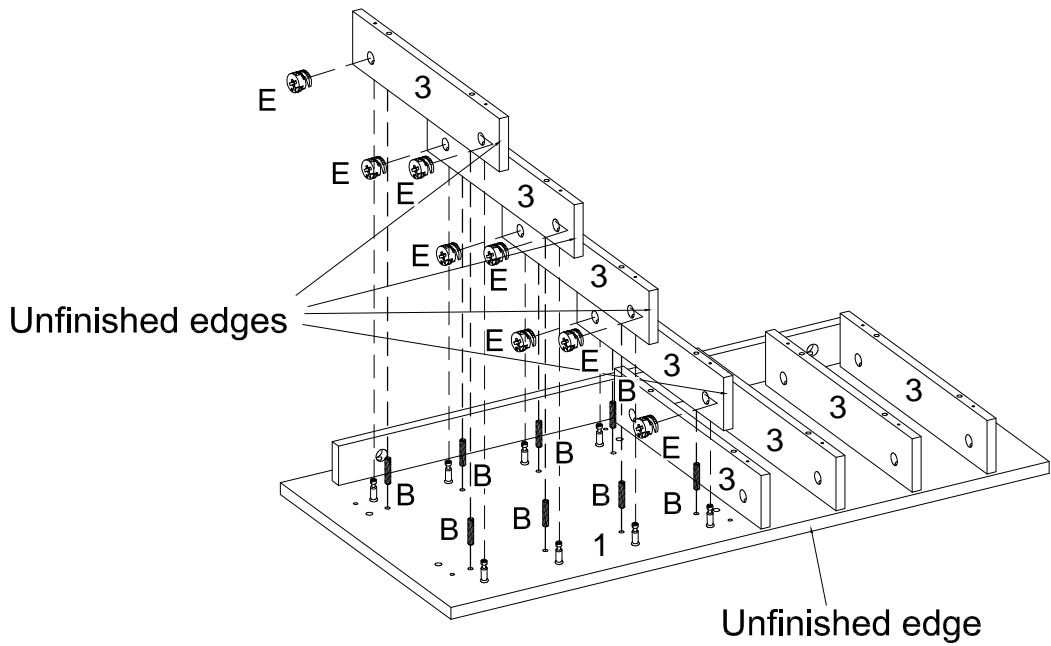
Step 23

Option B(Bar)



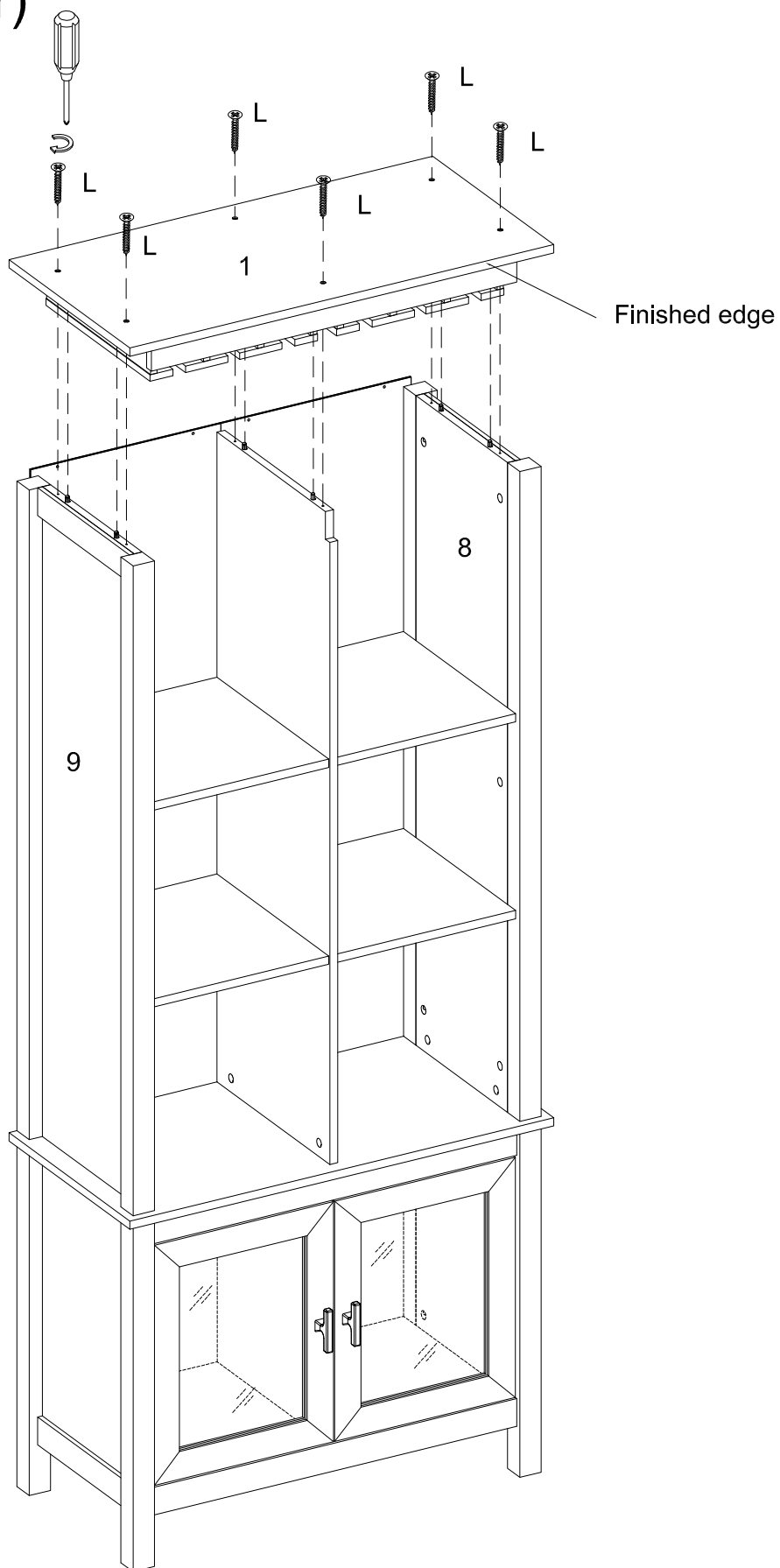
Step 24

Option B(Bar)



Step 25

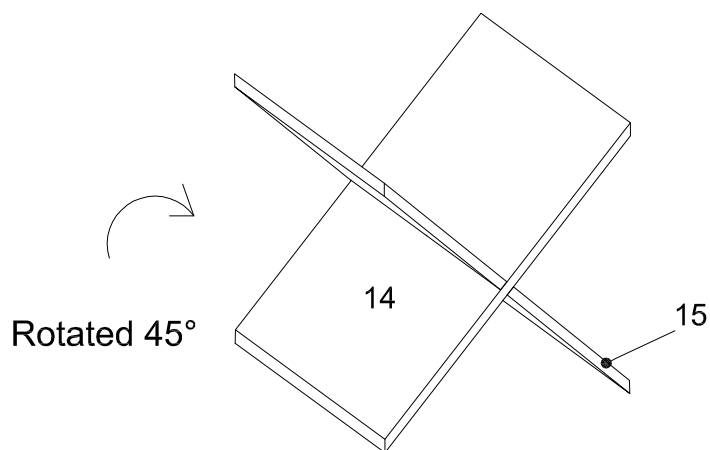
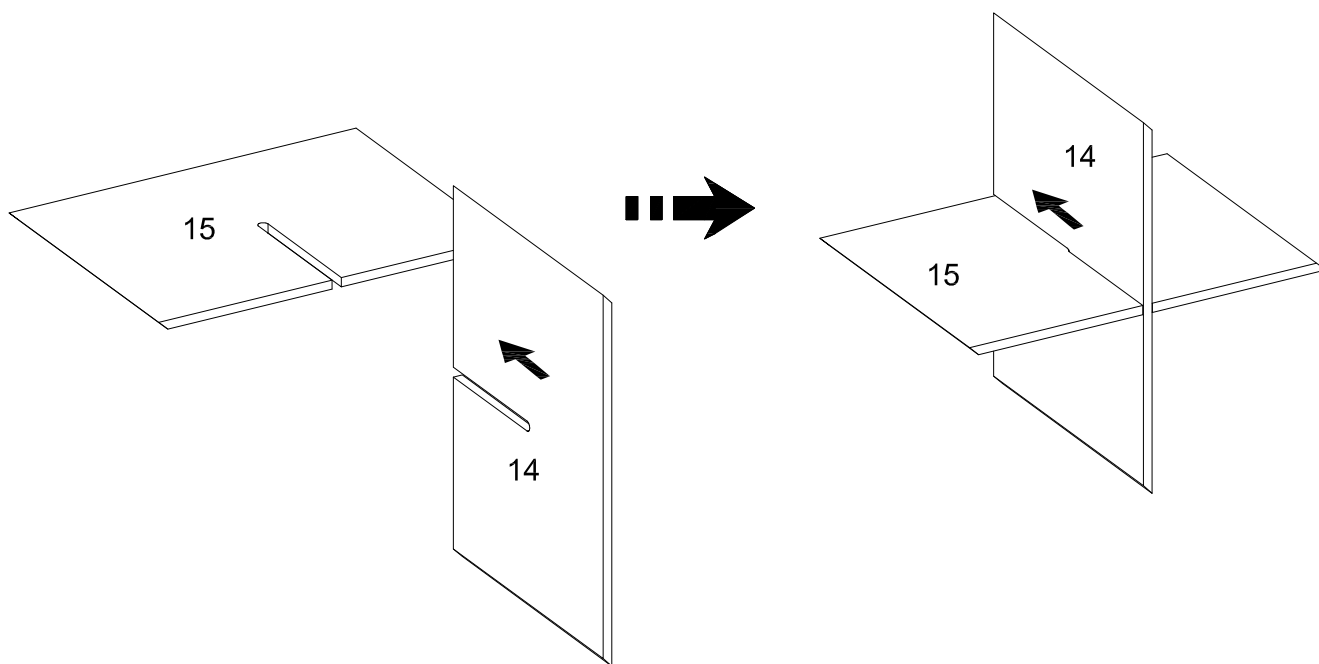
Option B(Bar)



Step 26

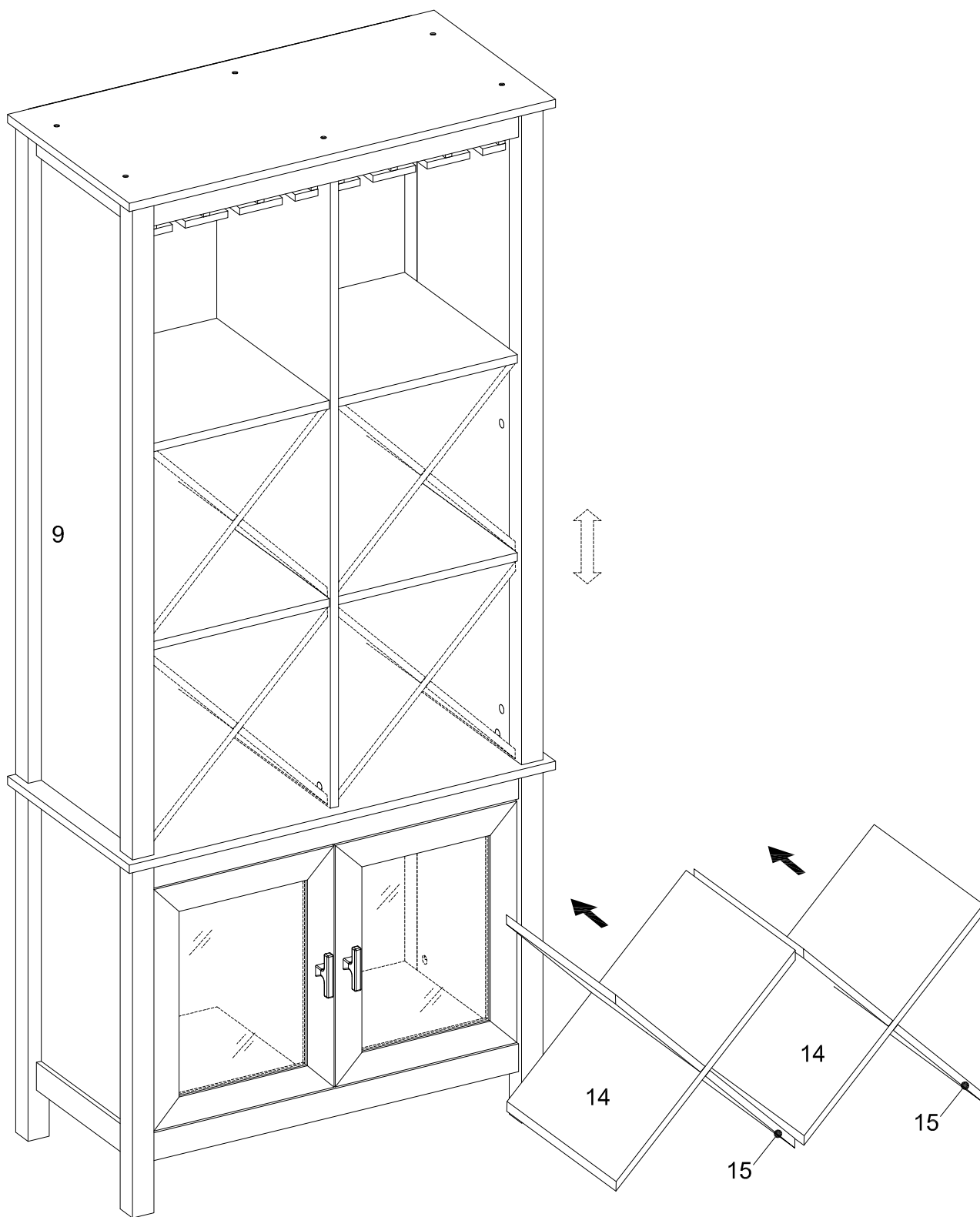
Option B(Bar)

x2



Step 27

Option B(Bar)



Step 28

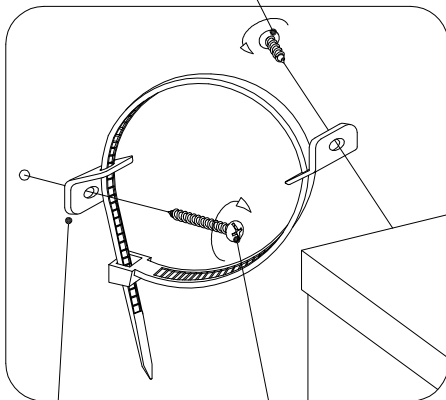
Option B(Bar)

WARNING

You must install the tip restraint hardware to help prevent any accidents or damage to the unit. We strongly recommend attaching the tip restraint hardware to a wall stud and your unit. For all other wall types, please visit your local hardware store to obtain the proper hardware.

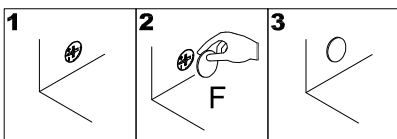
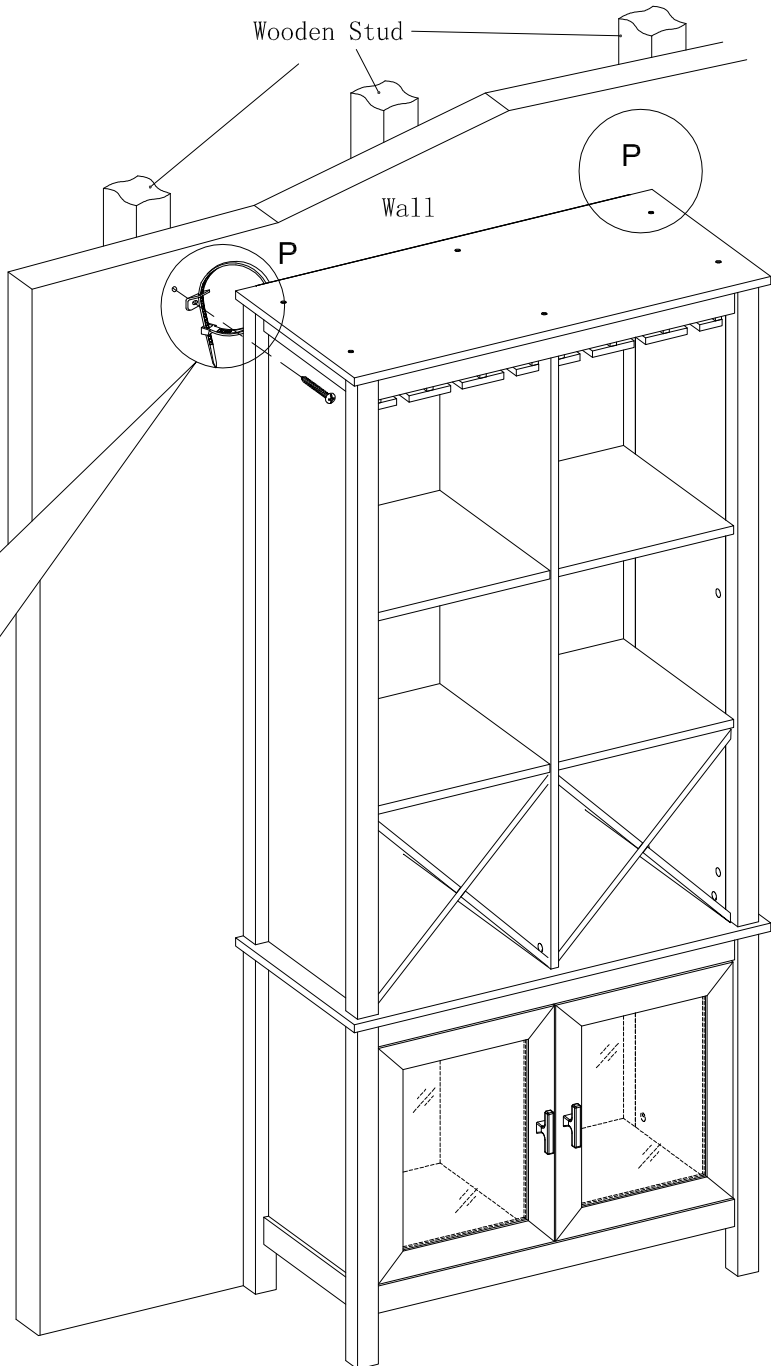


Short Screw



Metal Bracket

Long Screw



Finally