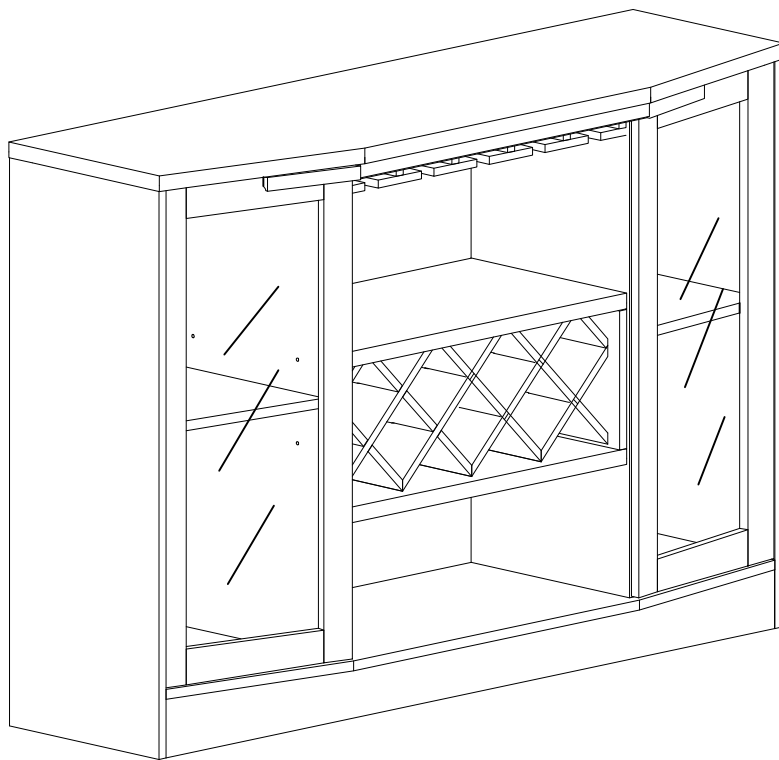


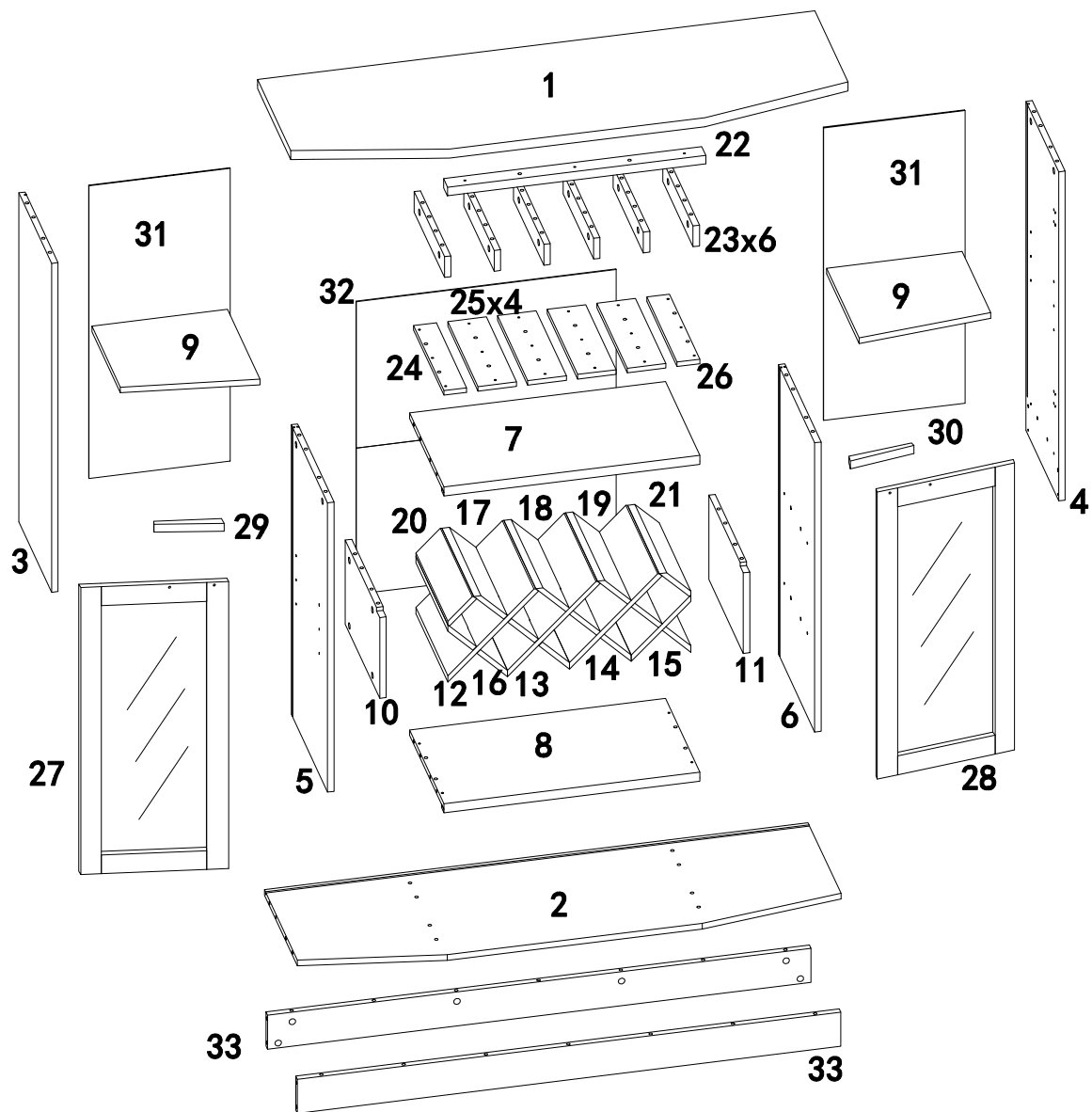
HOME SOURCE®

ASSEMBLY INSTRUCTIONS












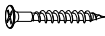


ITEM #: JZ32



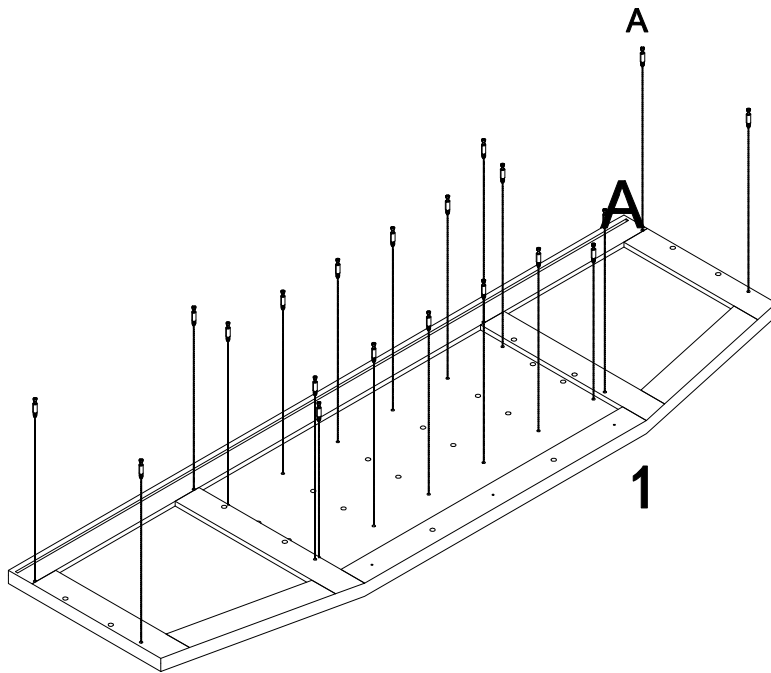
Parts List



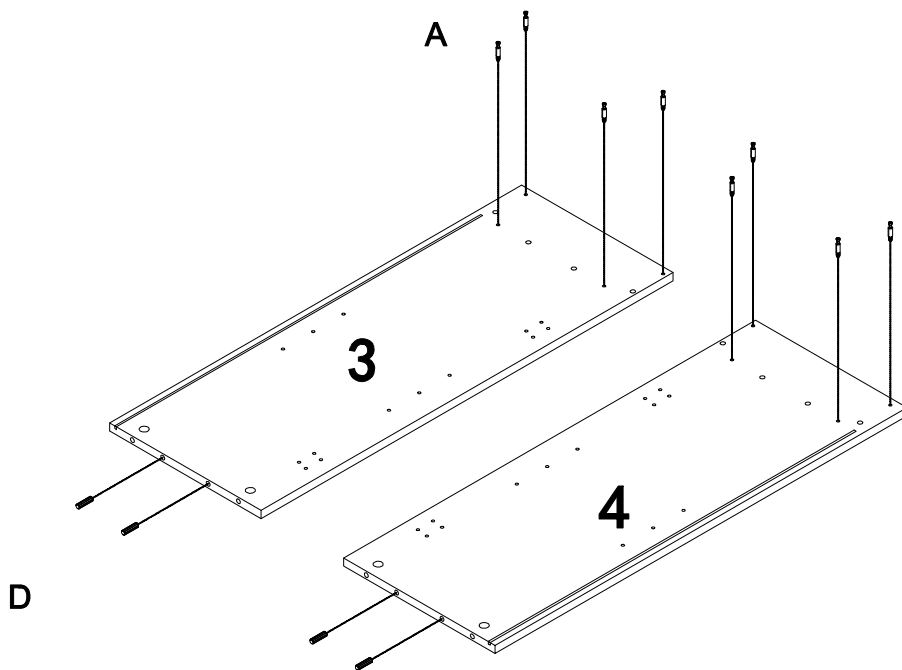
Hardware List

A		$\phi 5*25\text{mm}$	Bolt	52 pcs
B		$\phi 15*12\text{mm}$	Nut	52 pcs
C		$\phi 25\text{mm}$	Stiker	52 pcs
D		$\phi 8*30\text{mm}$	Wood Dowel	68 pcs
E		$\phi 4*32\text{mm}$	Screw	21 pcs
F				4 pcs
G		$\phi 3.5*12\text{mm}$	Screw	24 pcs
H		$\phi 3.5*17\text{mm}$	Screw	20 pcs
I				20 pcs
J		$\phi 6*50\text{mm}$	Bolt	4 pcs
K			Shelf Support	8 pcs
L		$\phi 4*25\text{mm}$	Screw	4 pcs
M			Anti-Tipping Kit	2 sets
N		M4		1 pcs

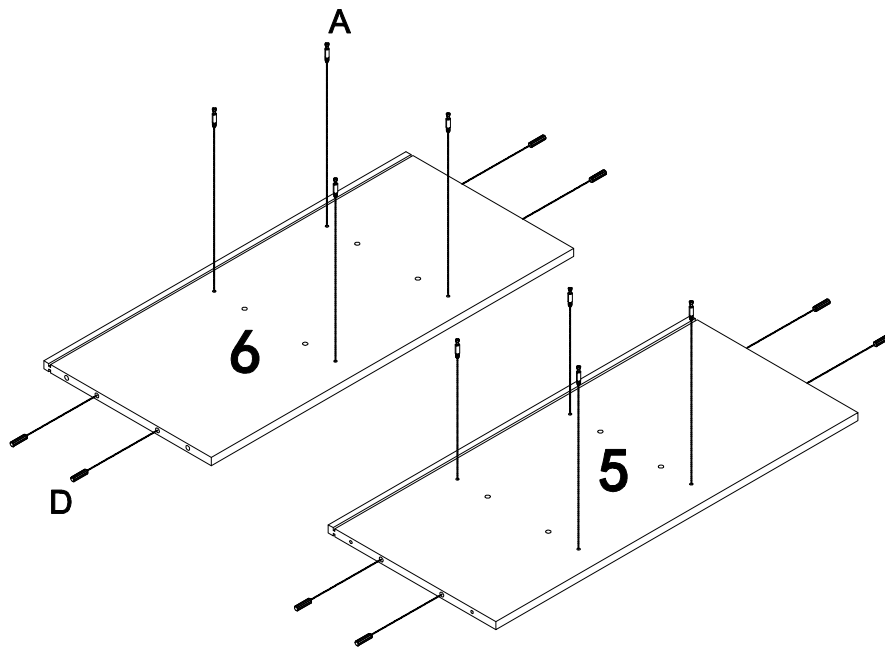
Step 1



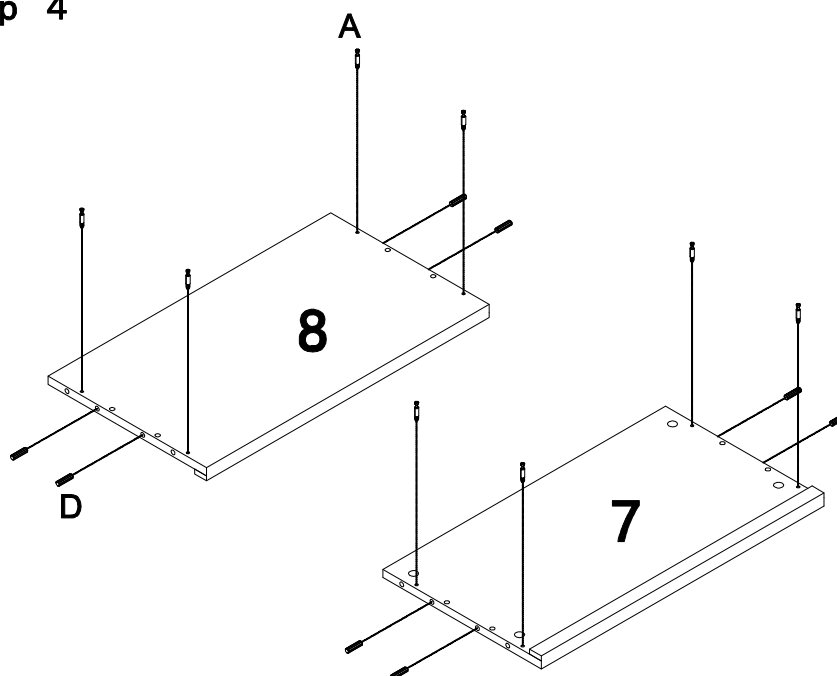
Step 2



Step 3

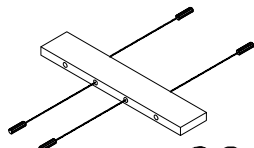


Step 4

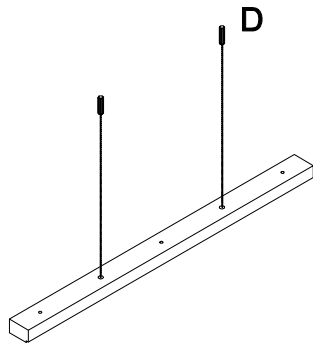


Step 5

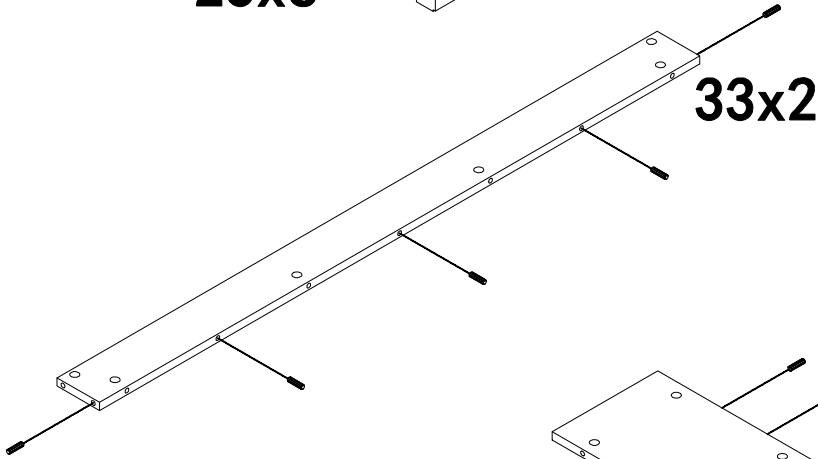
D



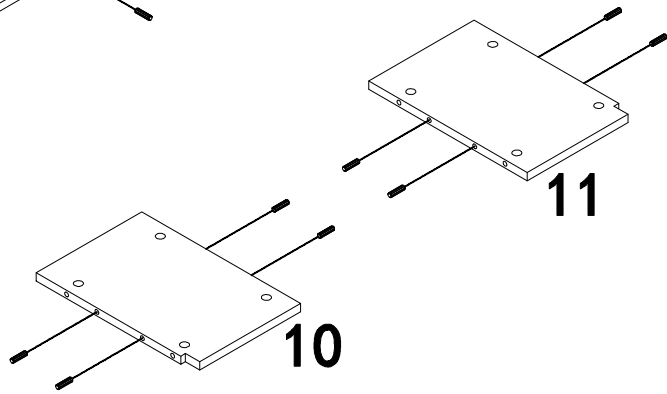
23x6



22



33x2



11

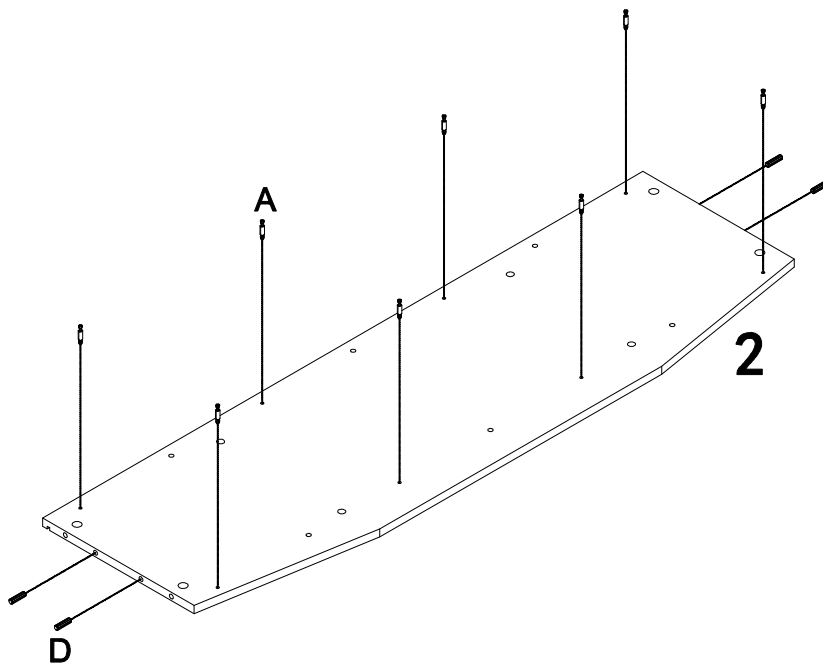
10

Step 6

A



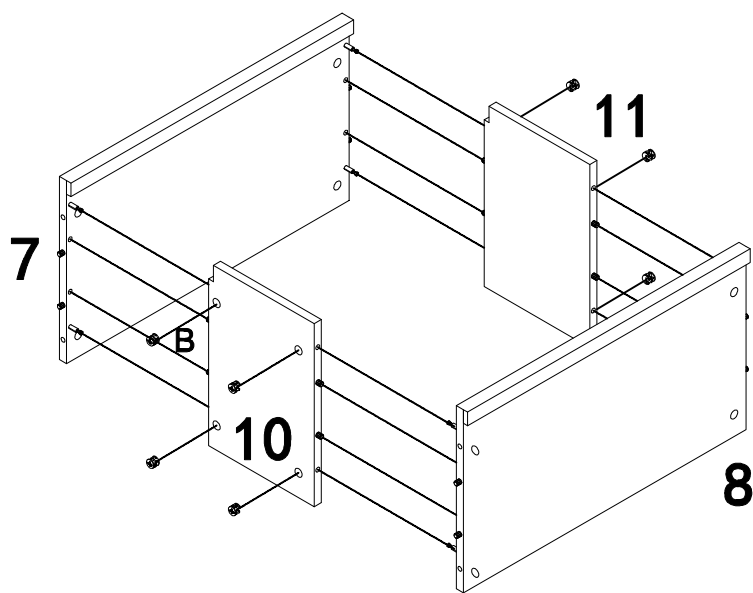
D



2

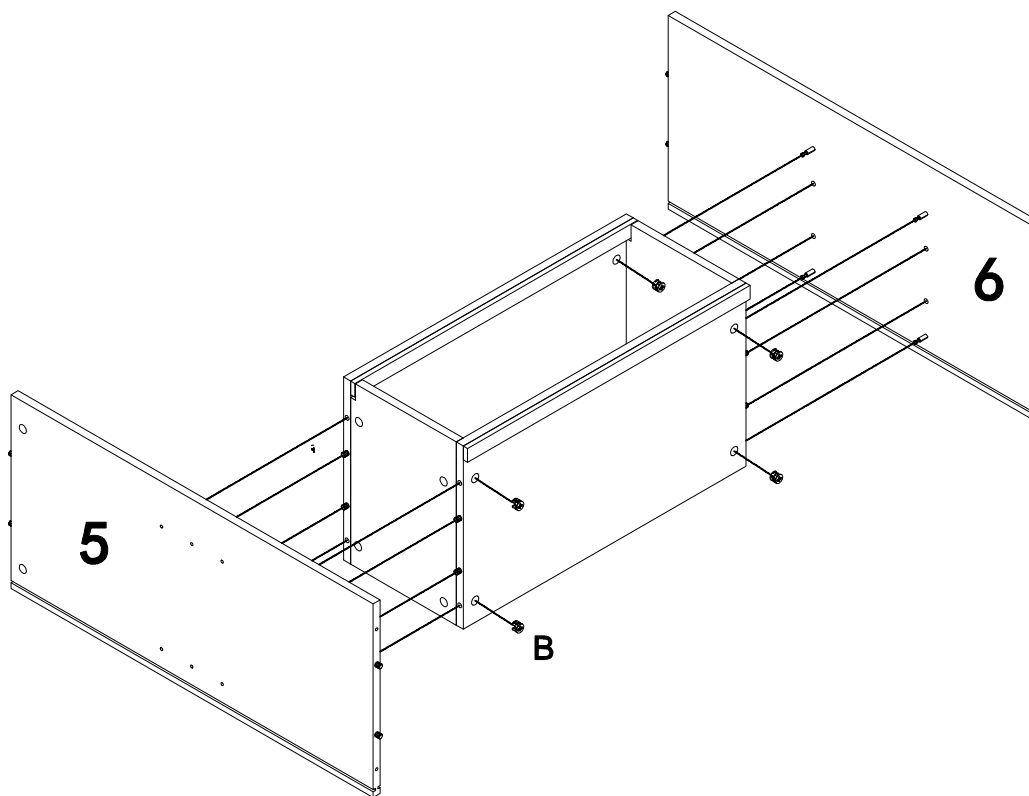
Step 7

B



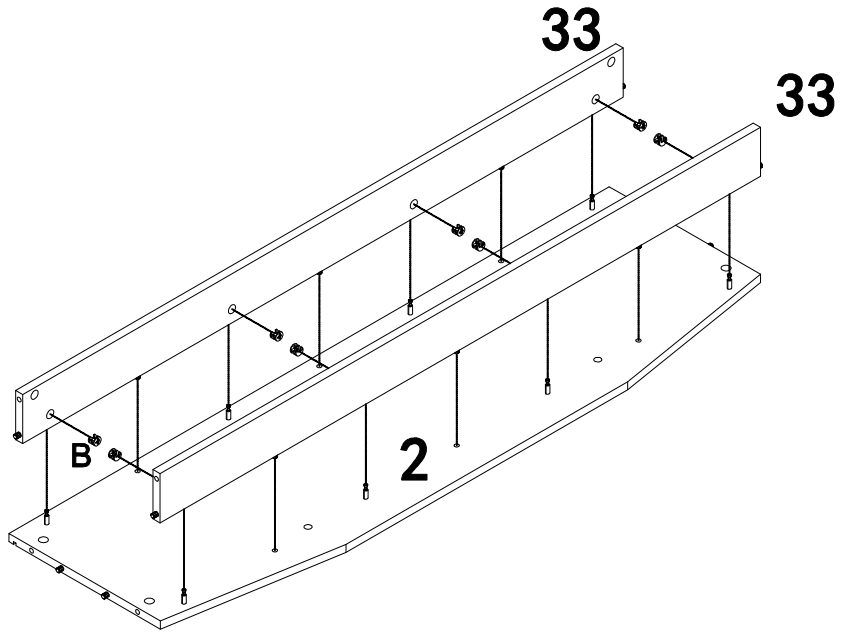
Step 8

B



Step 9

B

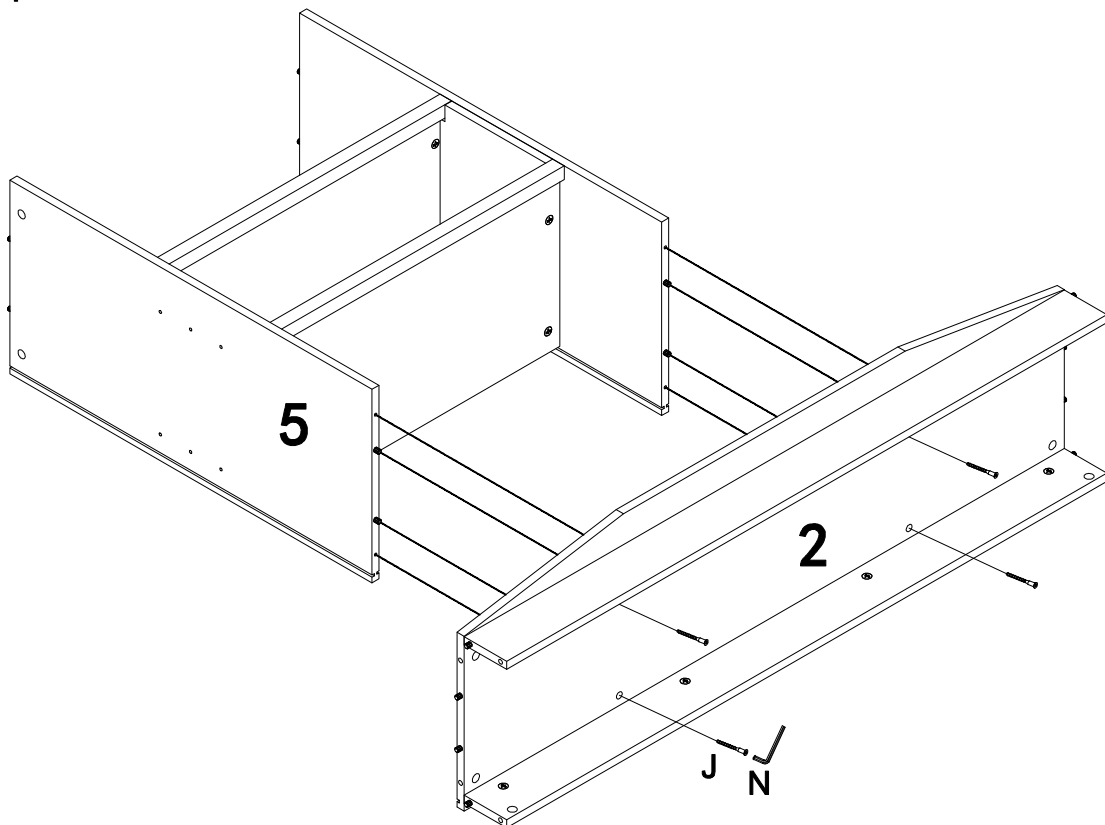


Step 10

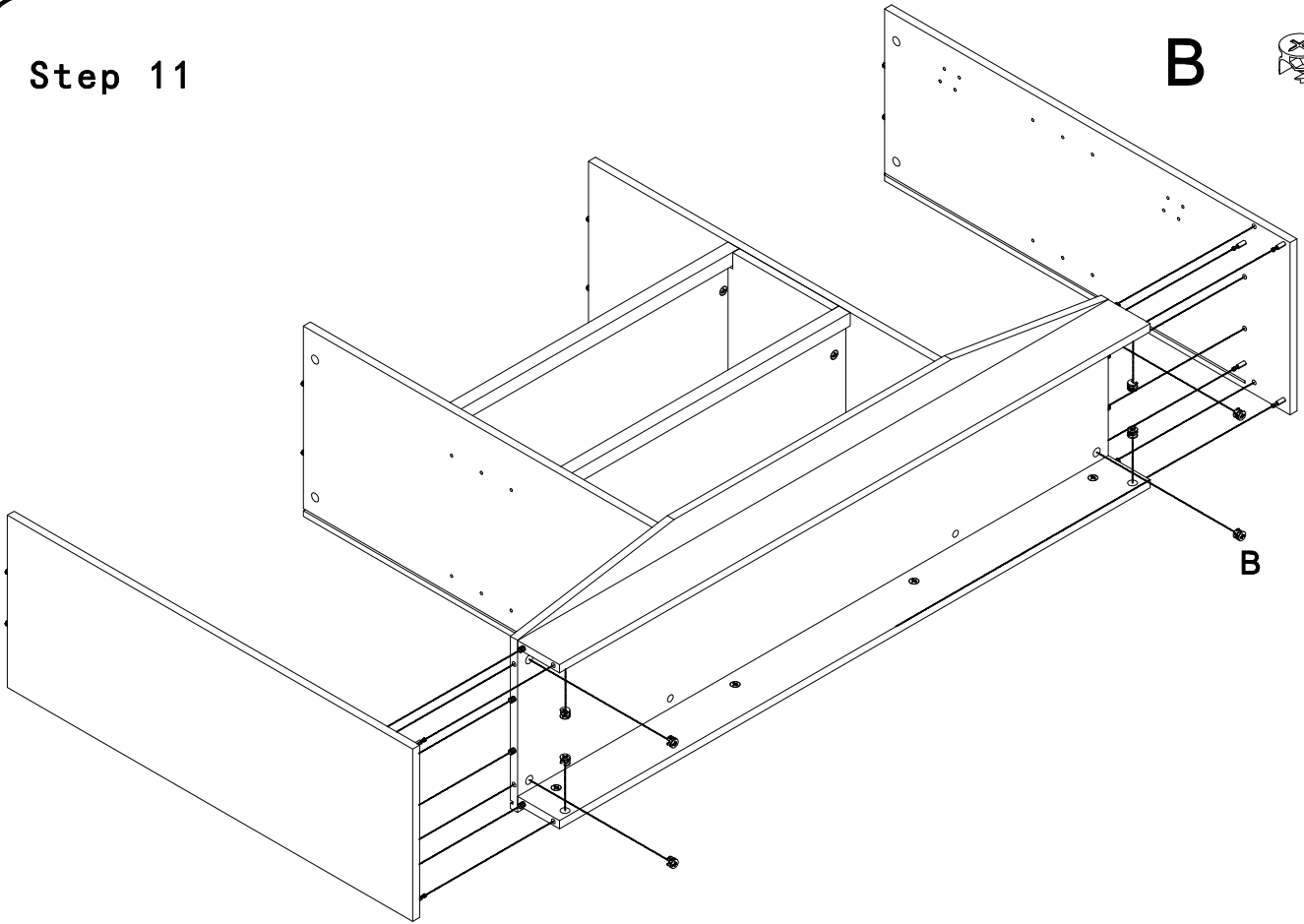
J



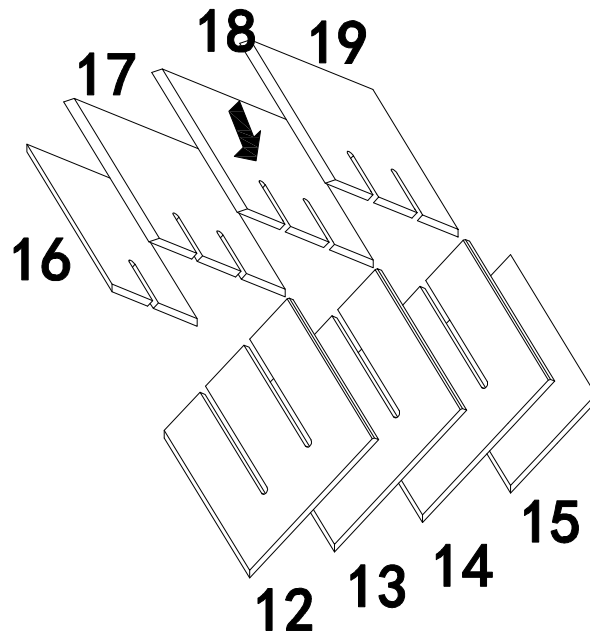
N



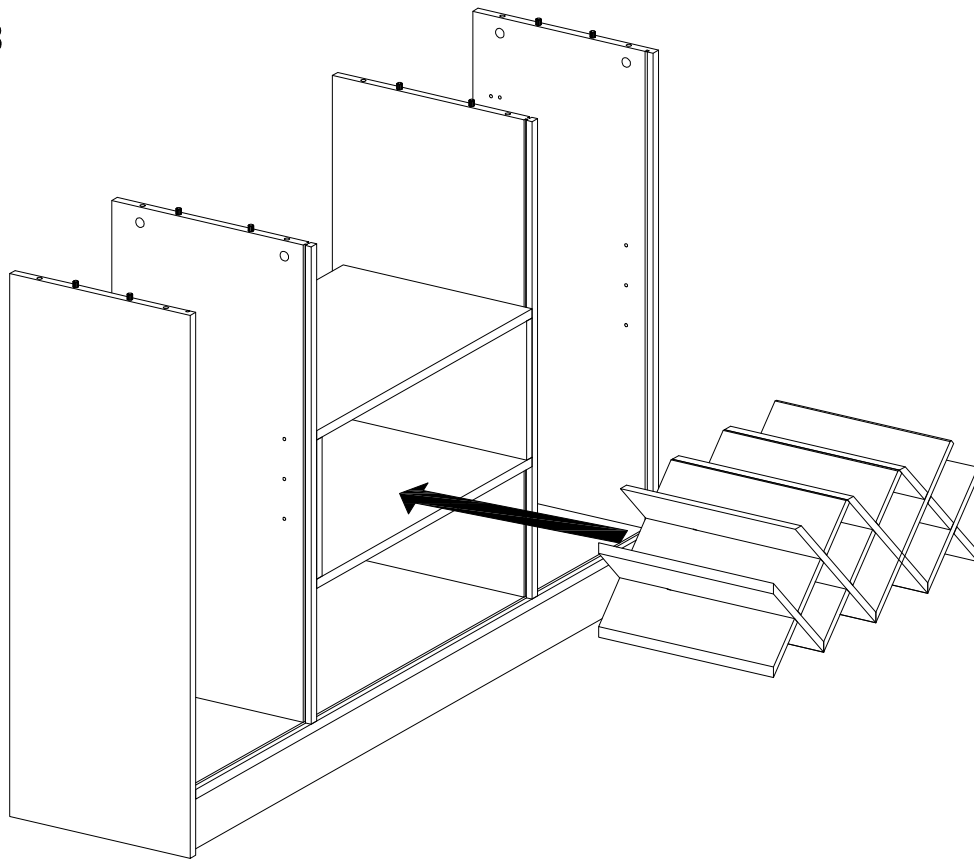
Step 11



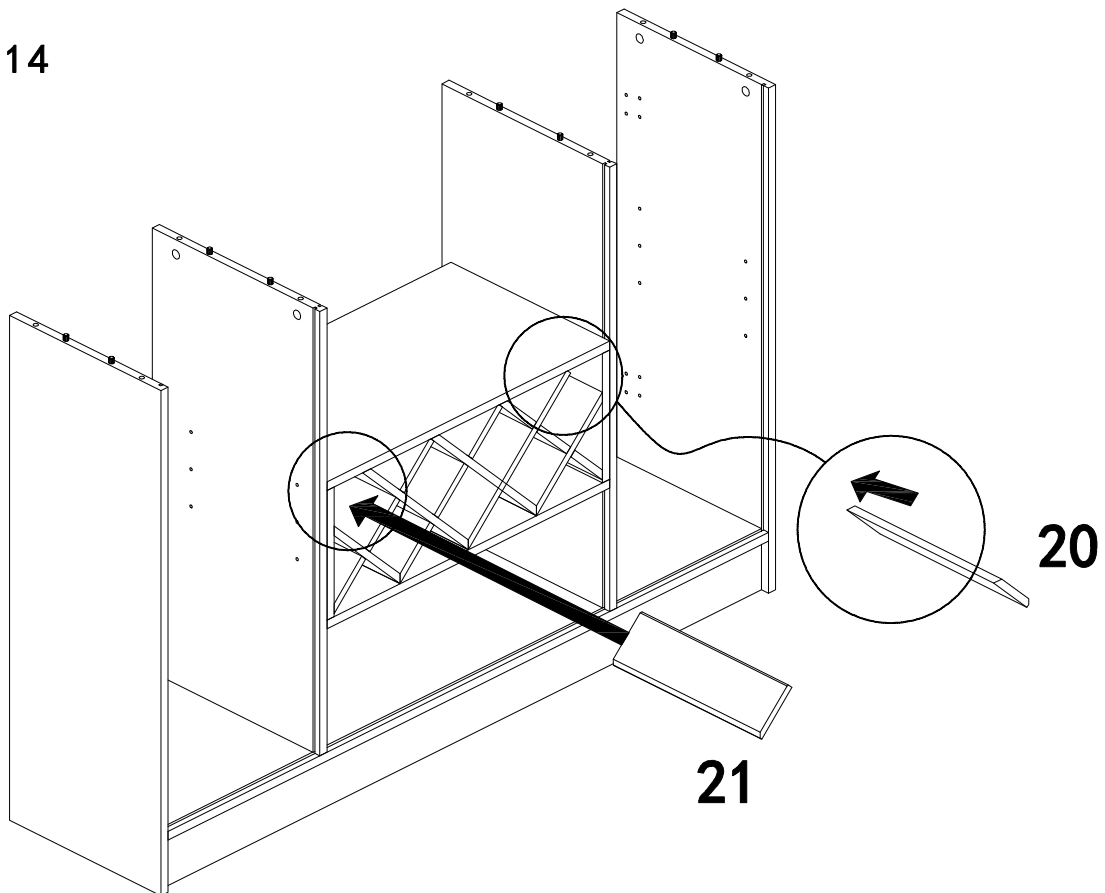
Step 12



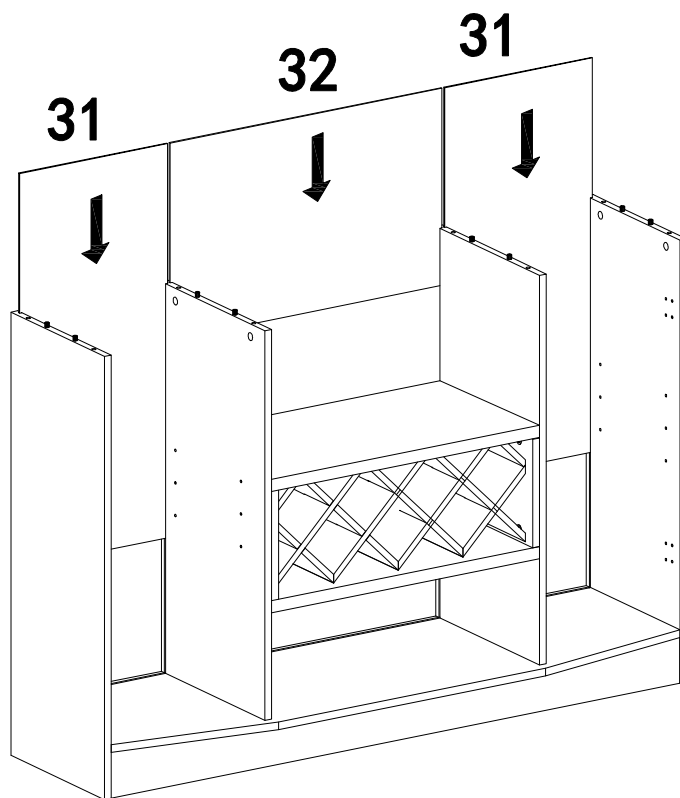
Step 13



Step 14

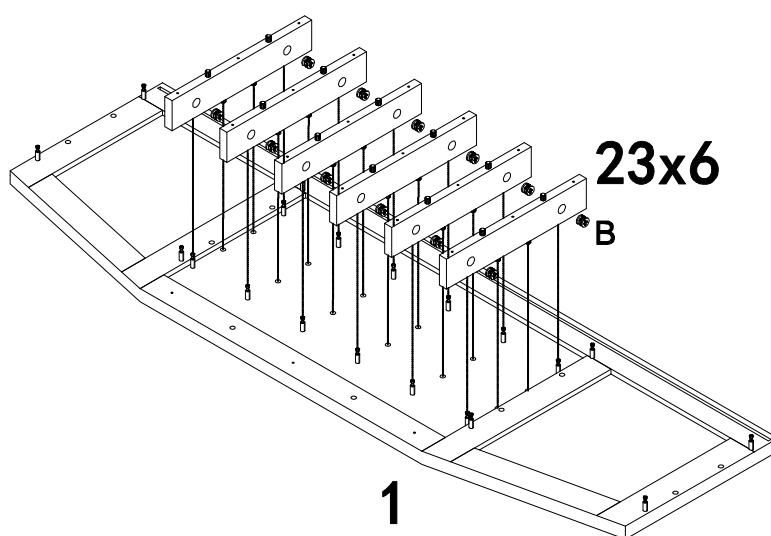


Step 15



Step 16

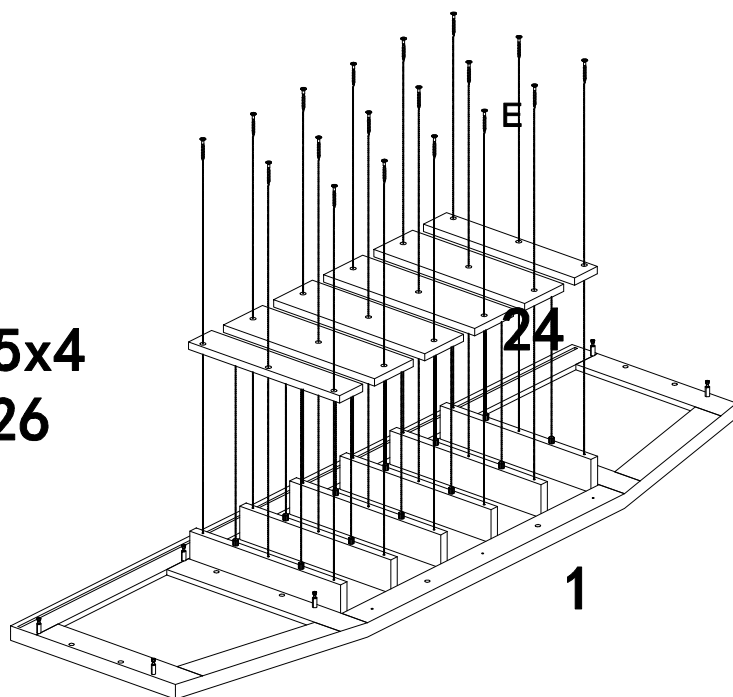
B



Step 17



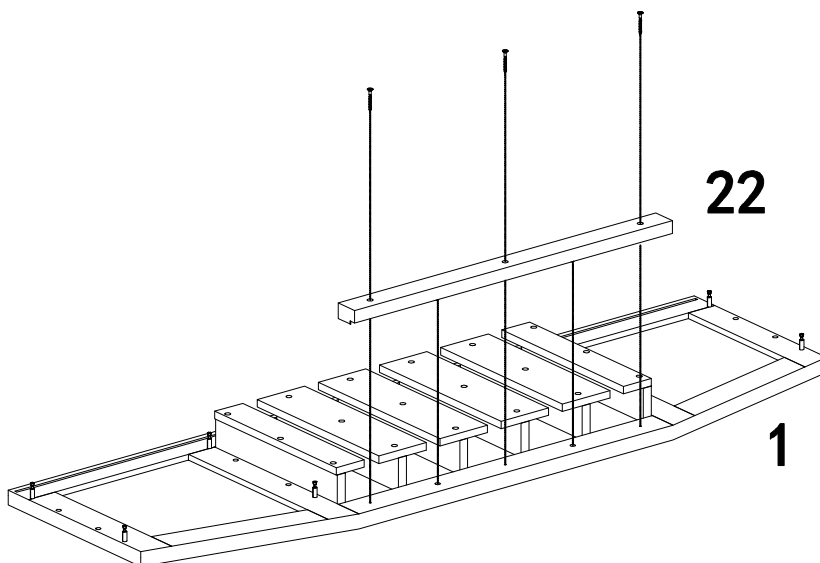
25x4
26



Step 18

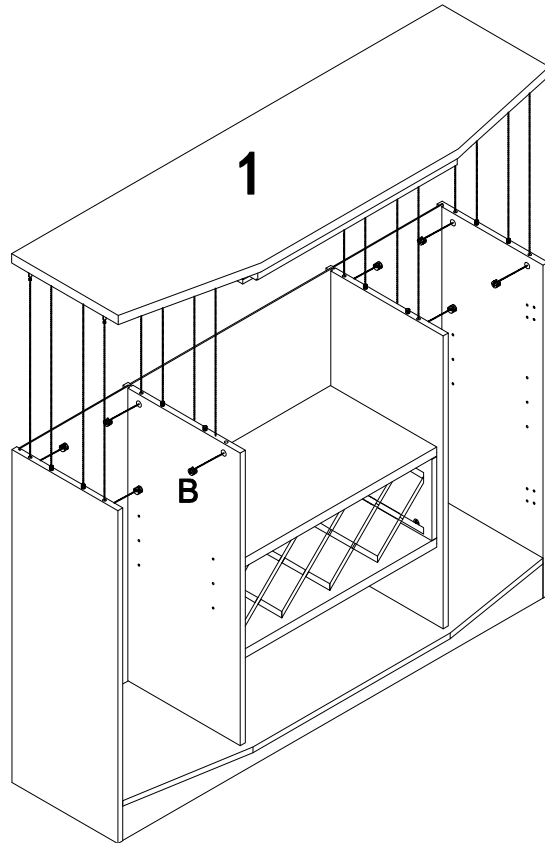


22



Step 19

B

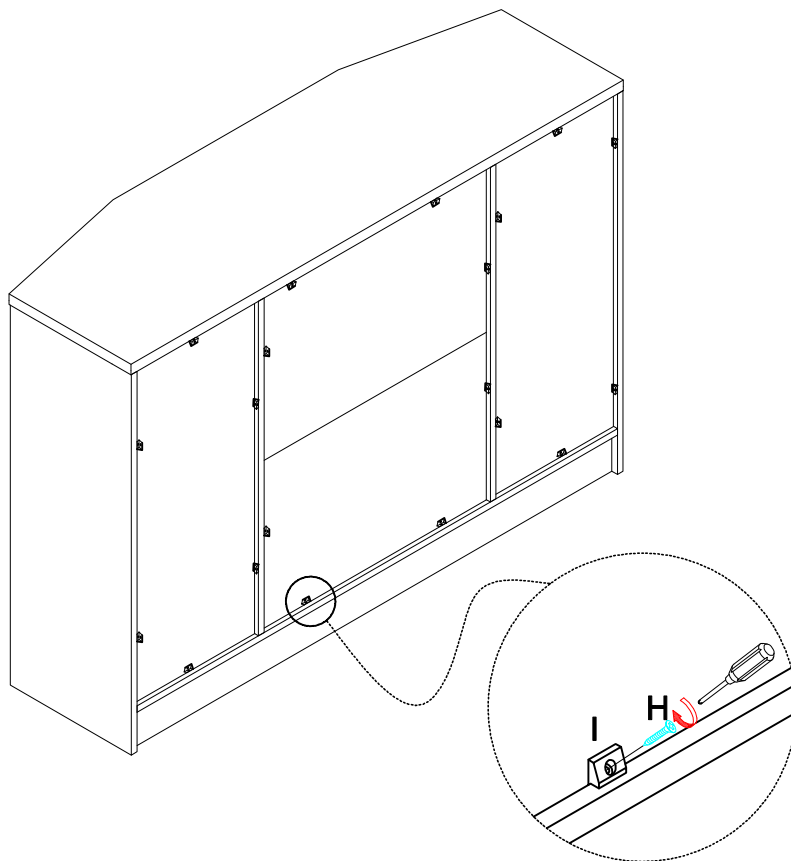


Step 20

H

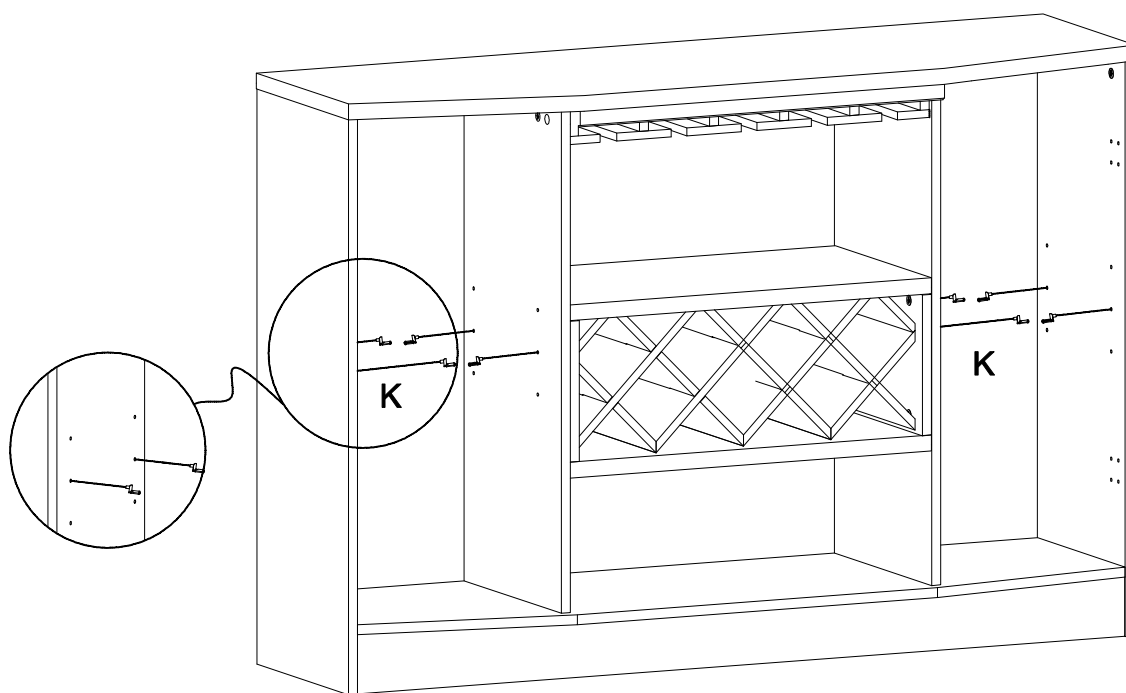


I

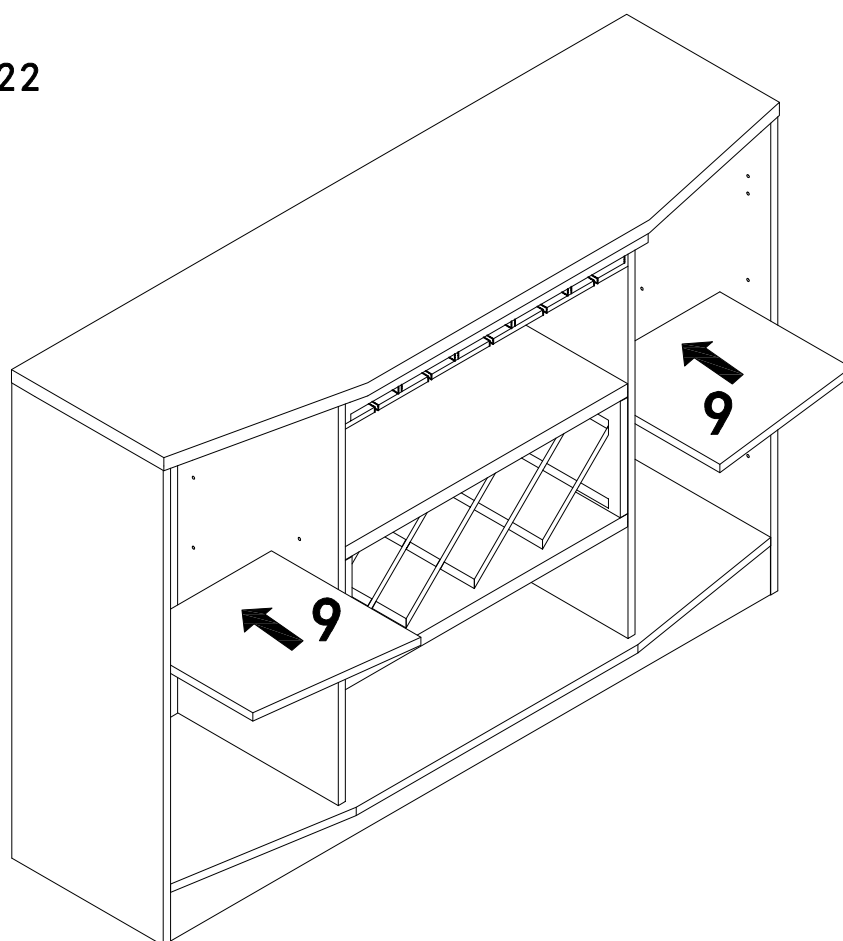


Step 21

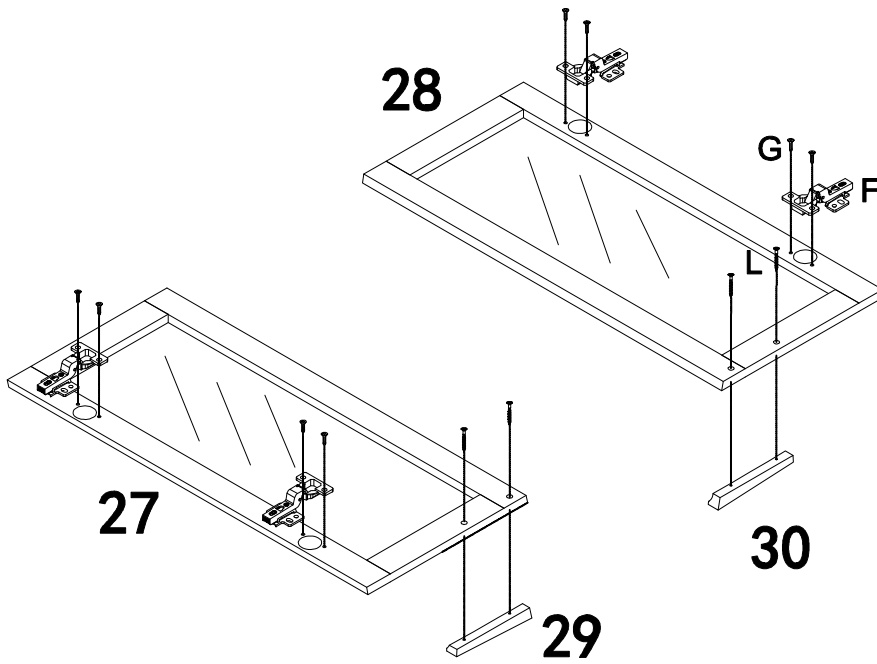
K 






Step 22

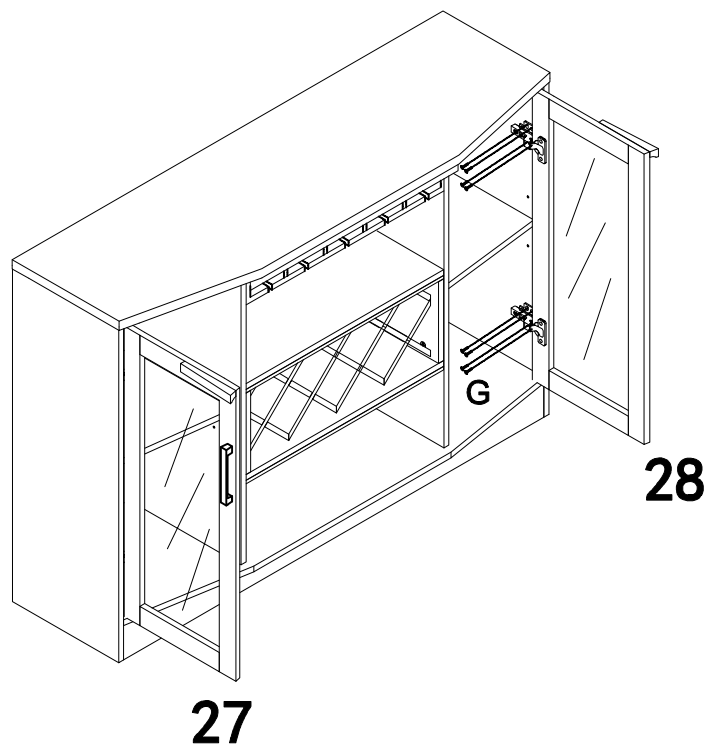


Step 23



- F 
- G 
- L 

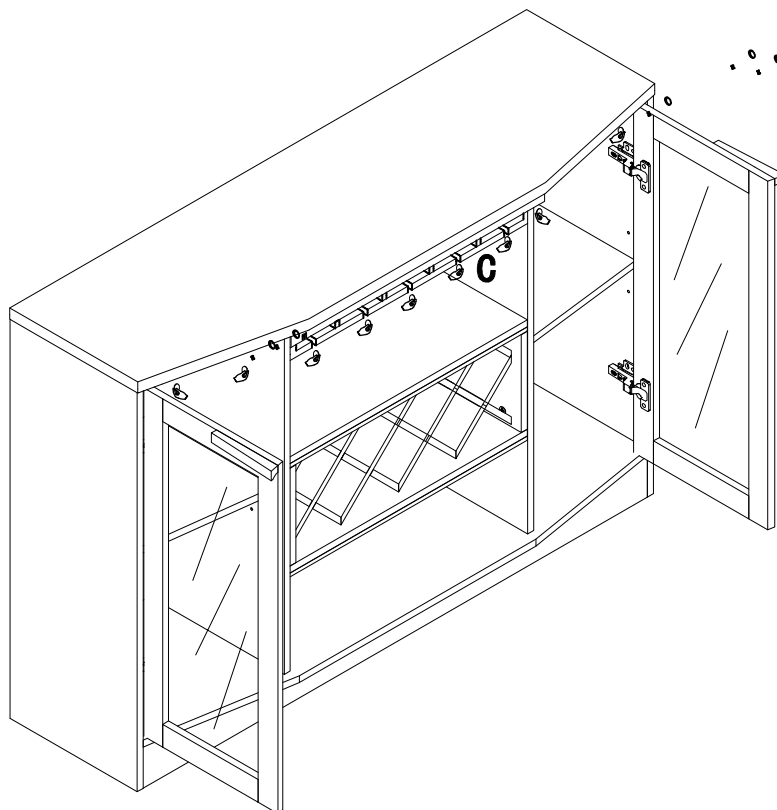
Step 24



- G 

Step 25

C ○



Step 26

