

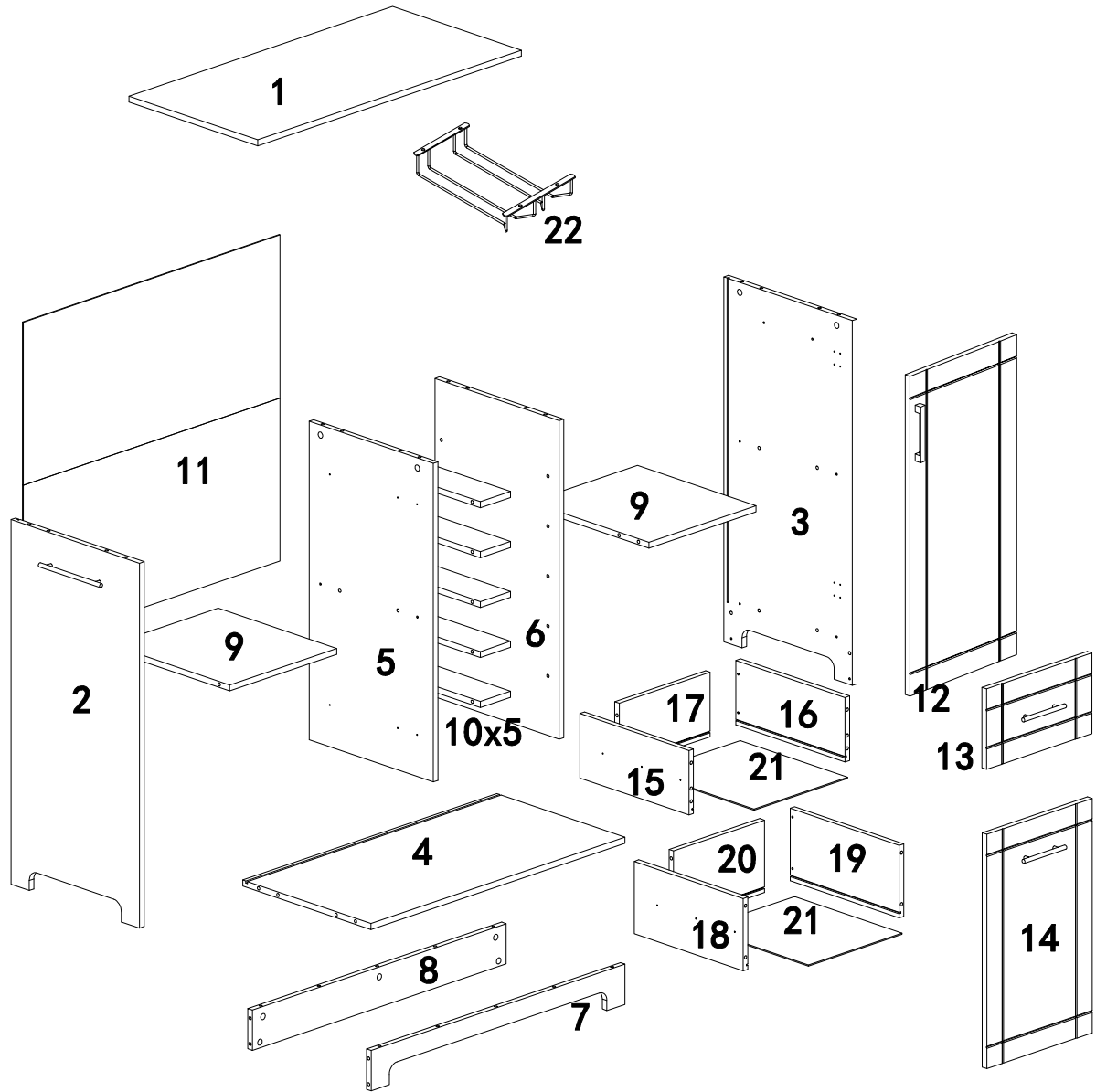
HOME SOURCE®

ASSEMBLY INSTRUCTIONS








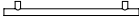








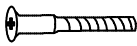



ITEM #: JZ24



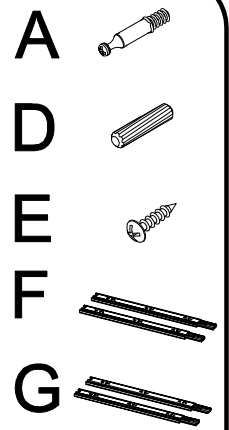
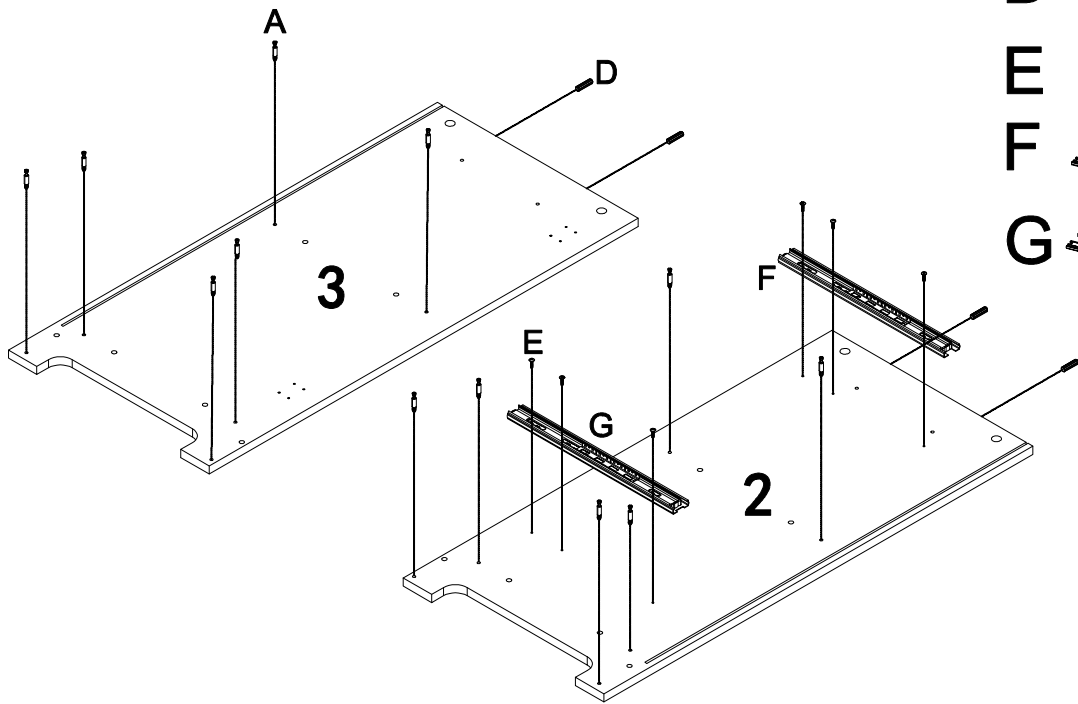
Parts List



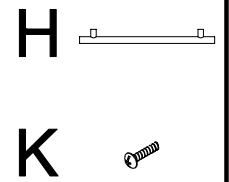
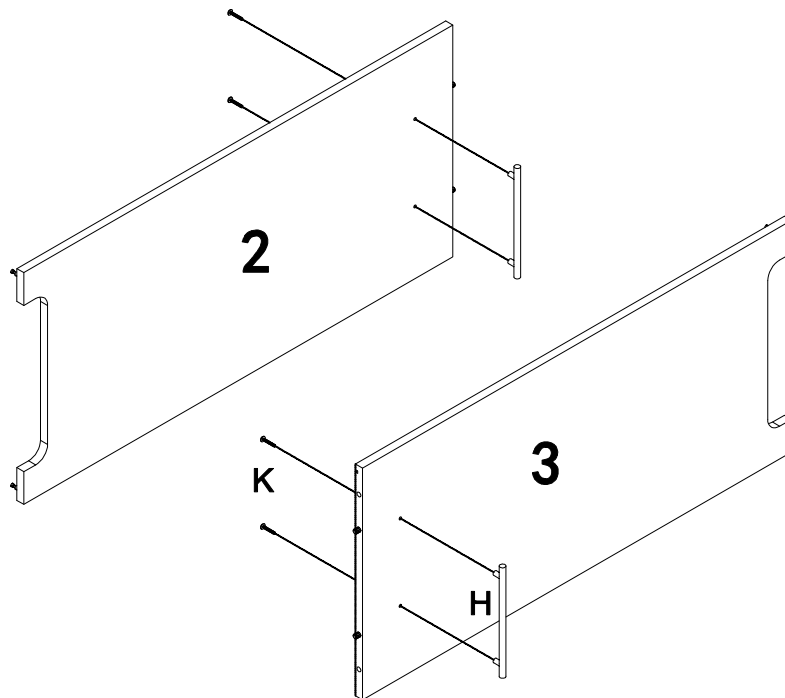
Hardware List

A		ø5*25mm	Bolt	38 pcs
B		ø15*12mm	Nut	38 pcs
C		ø25mm	Stiker	38 pcs
D		ø8*30mm	Wood Dowel	52 pcs
E		ø3.5*12mm	Screw	28 pcs
F		14'*35mm		1 set
G		14'*45mm		1 set
H				2 pcs
I				2 pcs
J				1 pcs
K		ø4*19mm	Bolt	8 pcs
L				2 pcs
M		ø3.5*12mm	Screw	12 pcs
N		ø3.5*17mm	Screw	10 pcs
O				10 pcs
P		ø4*31mm		8 pcs
Q		ø6*50mm		4 pcs
R		M4		1 pcs
S			Anti-Tipping Kit	2 sets
T		ø5/32*3/4	Bolt	2 pcs

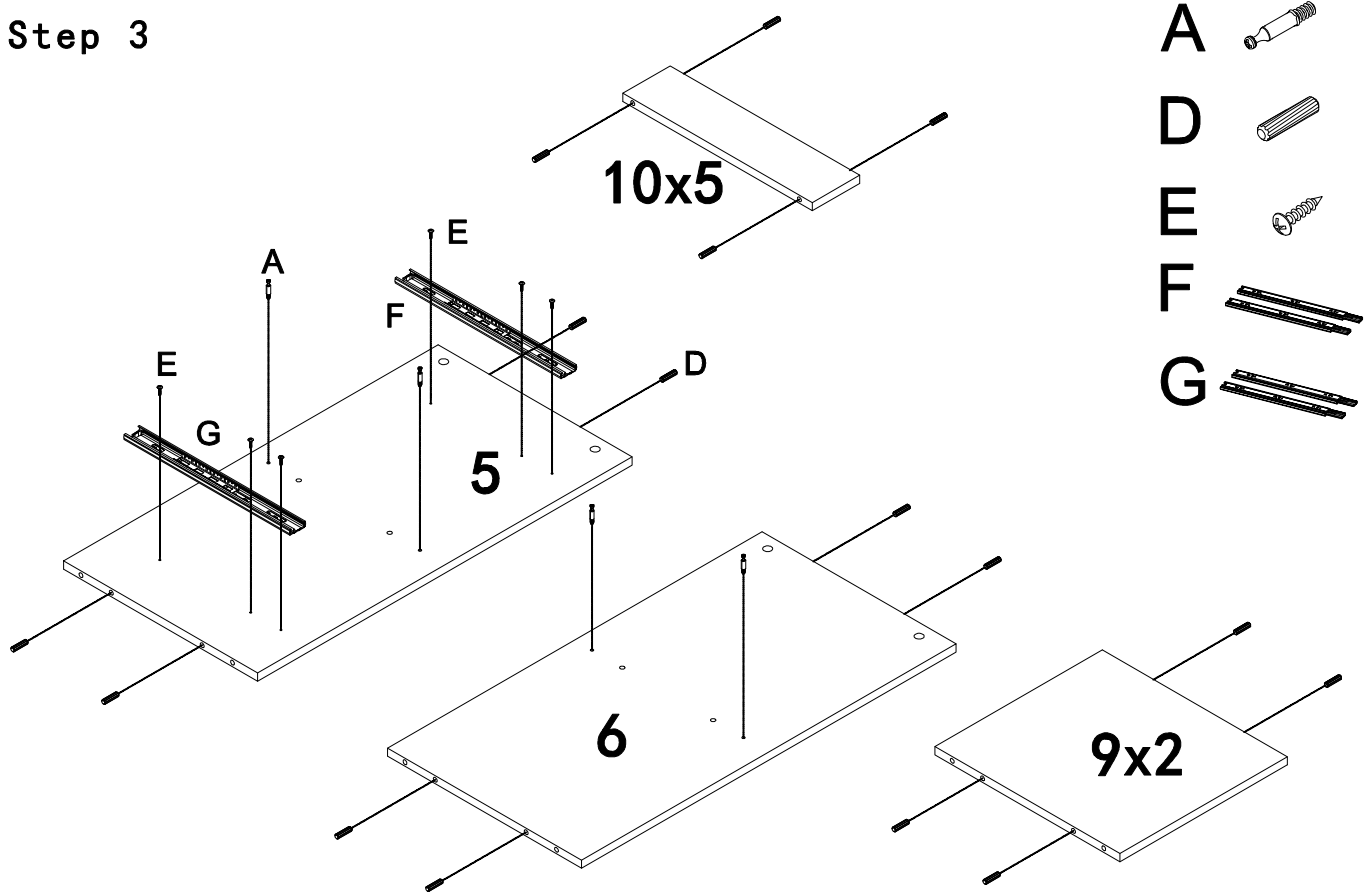
Step 1



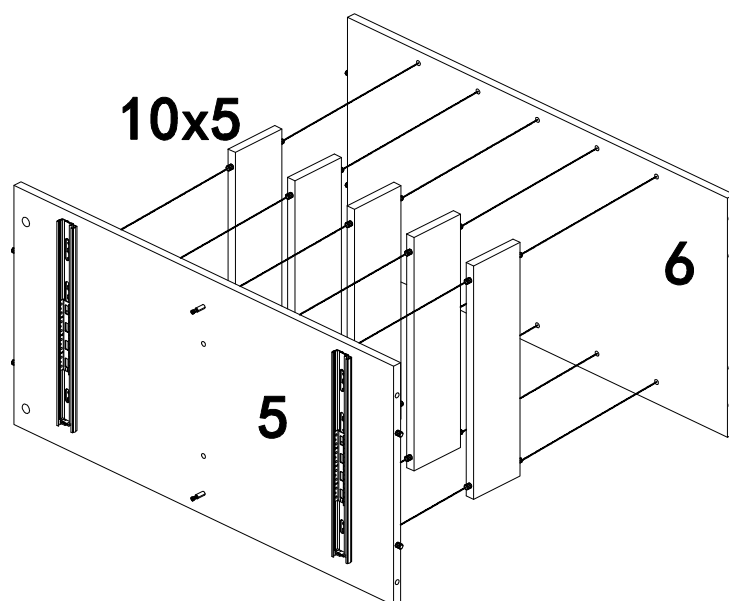
Step 2



Step 3

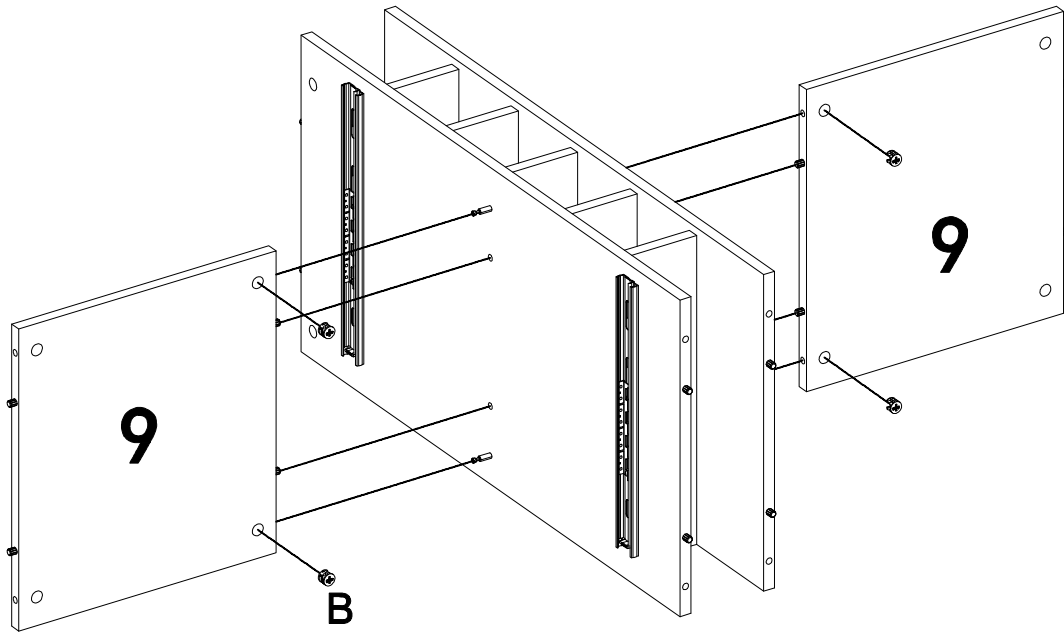


Step 4



Step 5

B

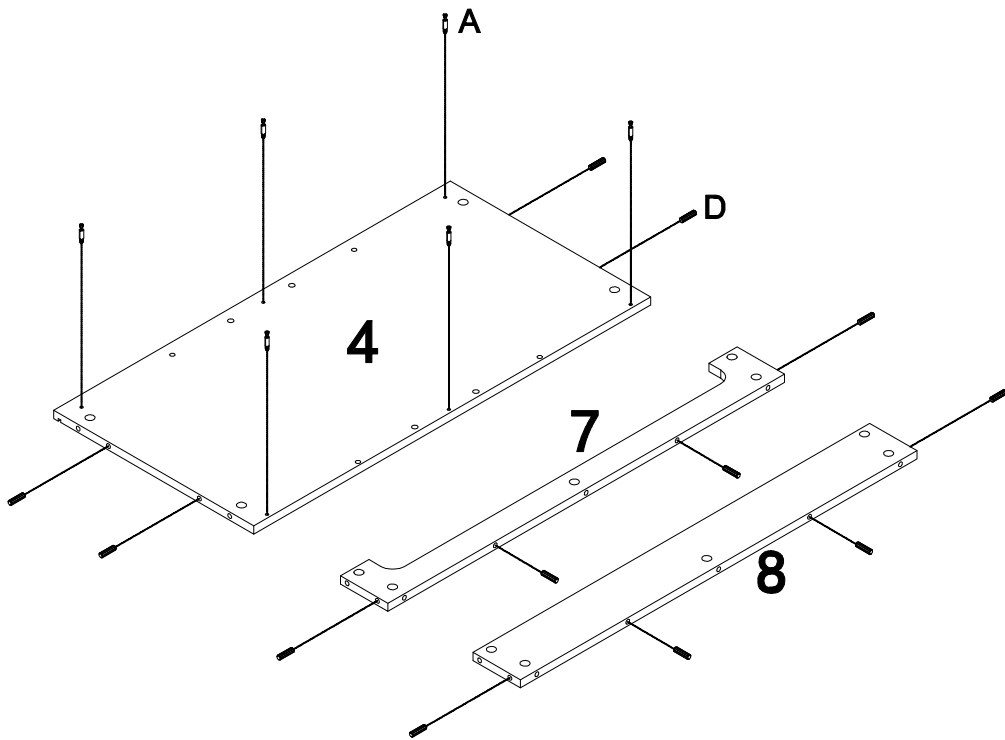


Step 6

A

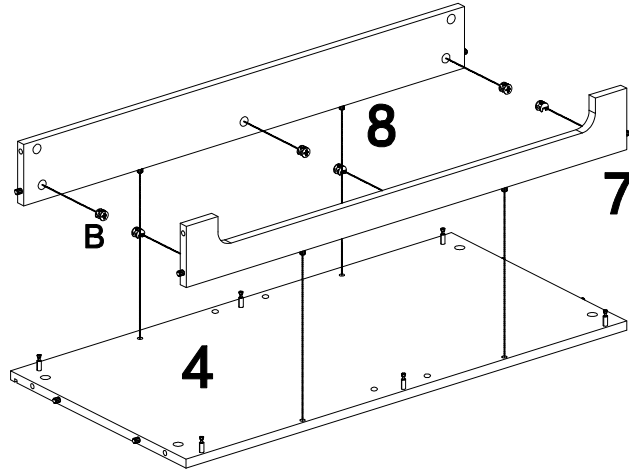


D



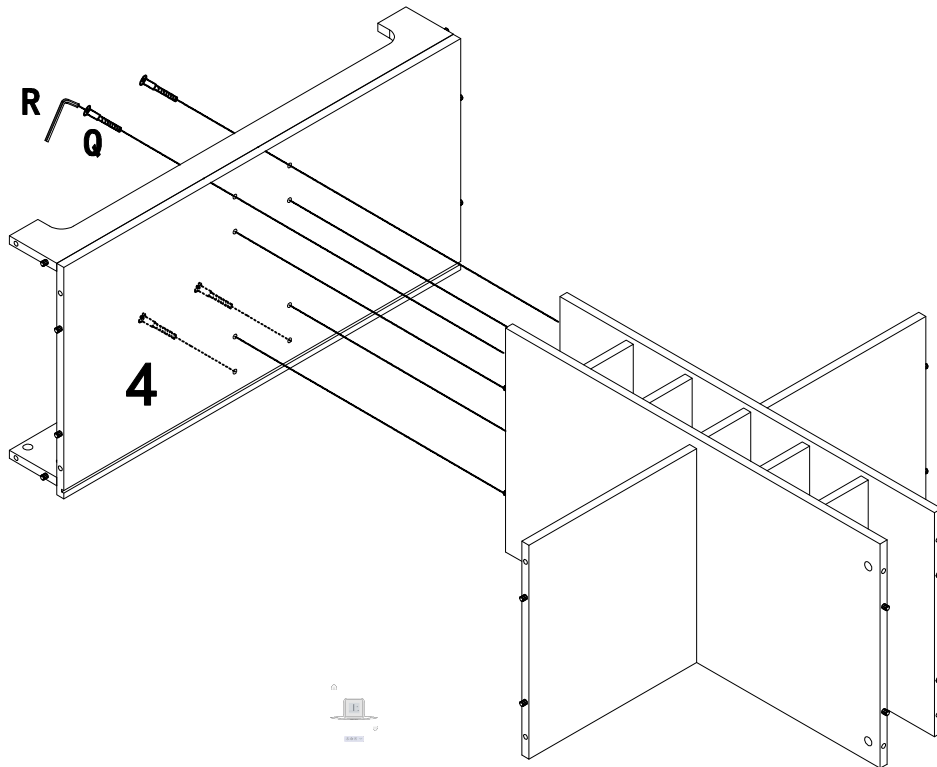
Step 7

B 



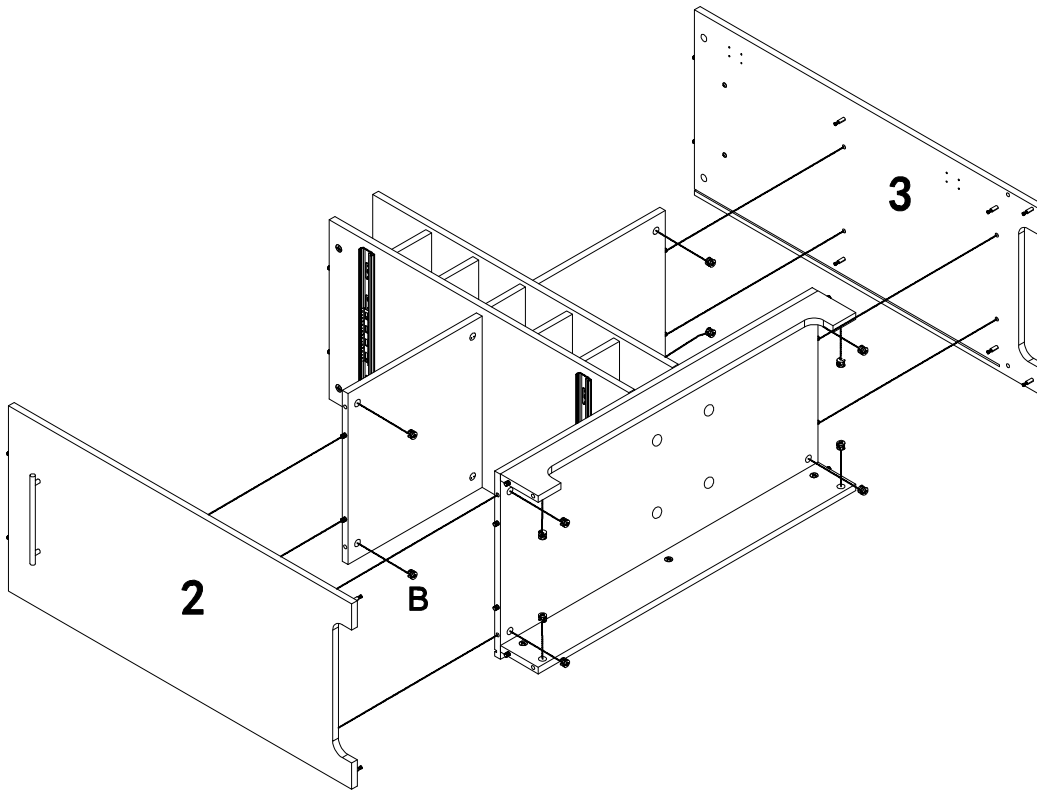
Step 8

Q 



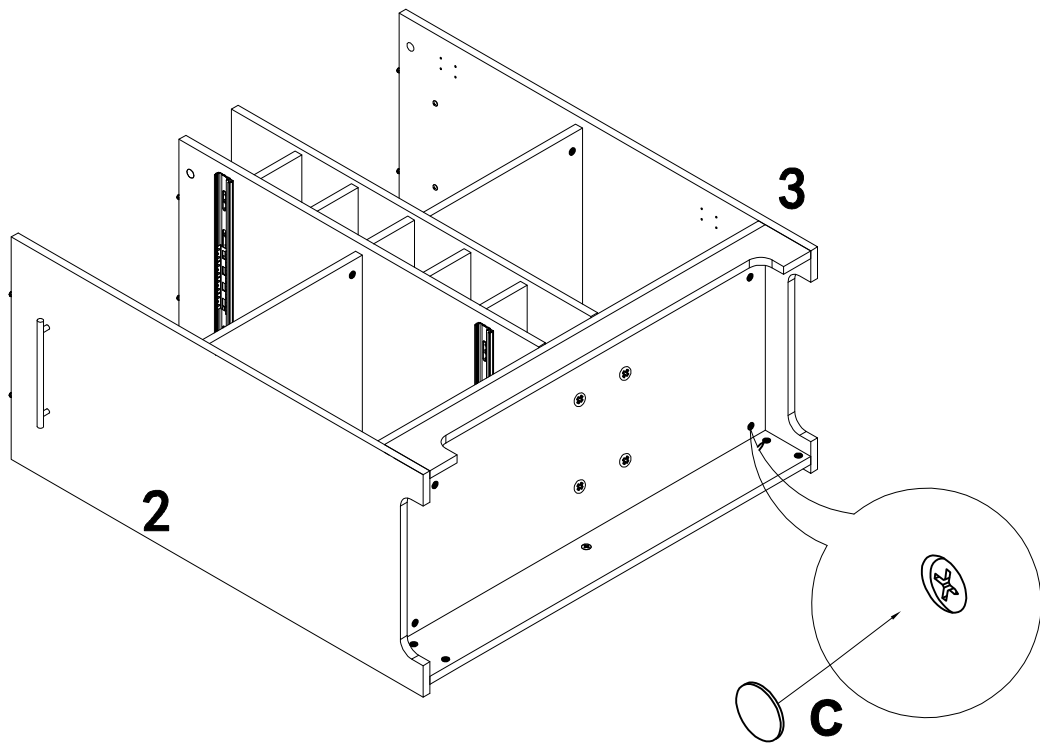
Step 9

B

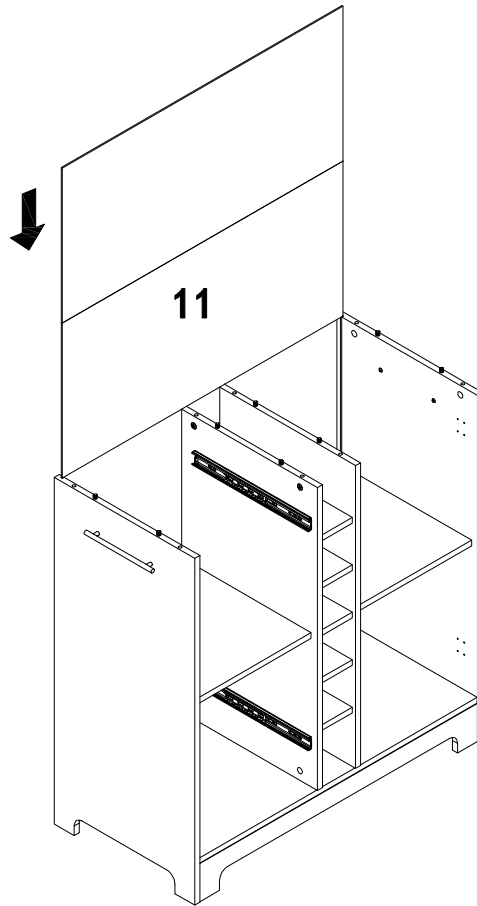


Step 10

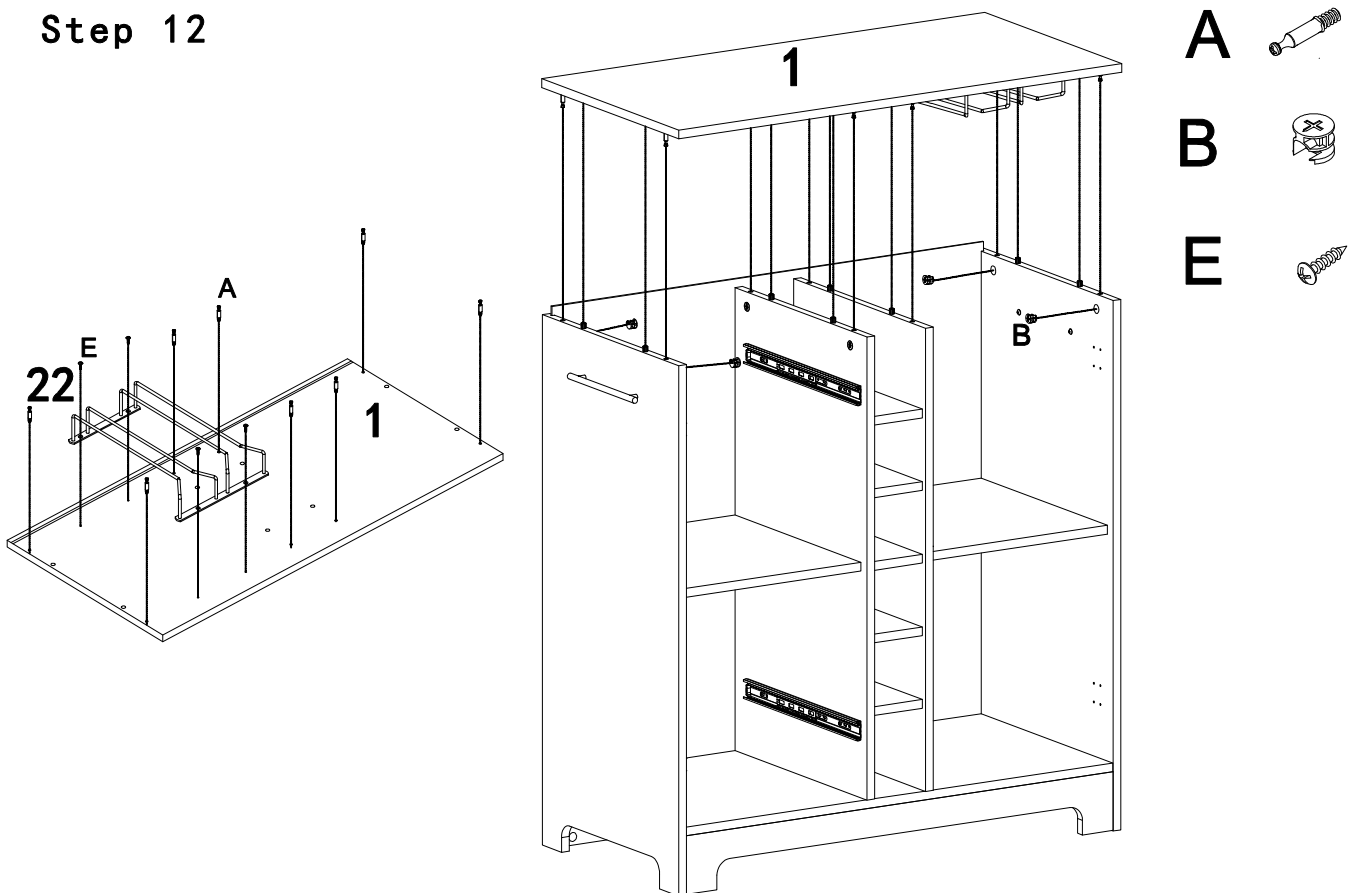
C



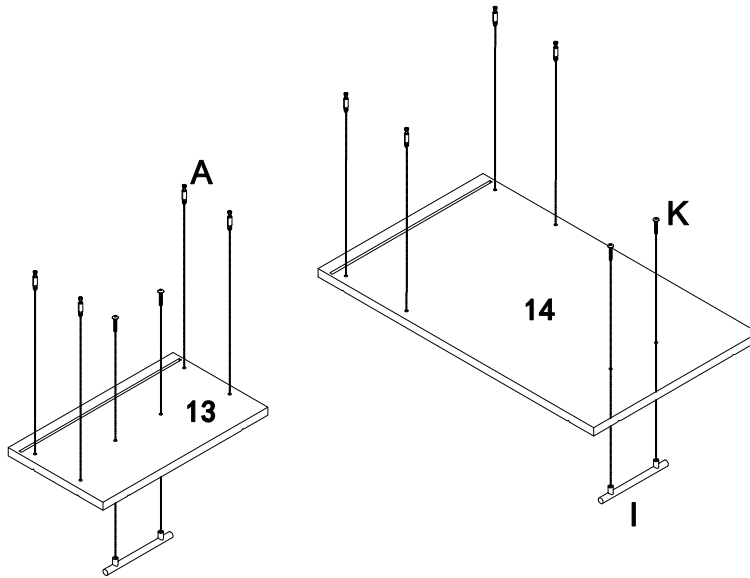
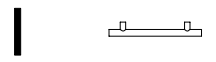
Step 11



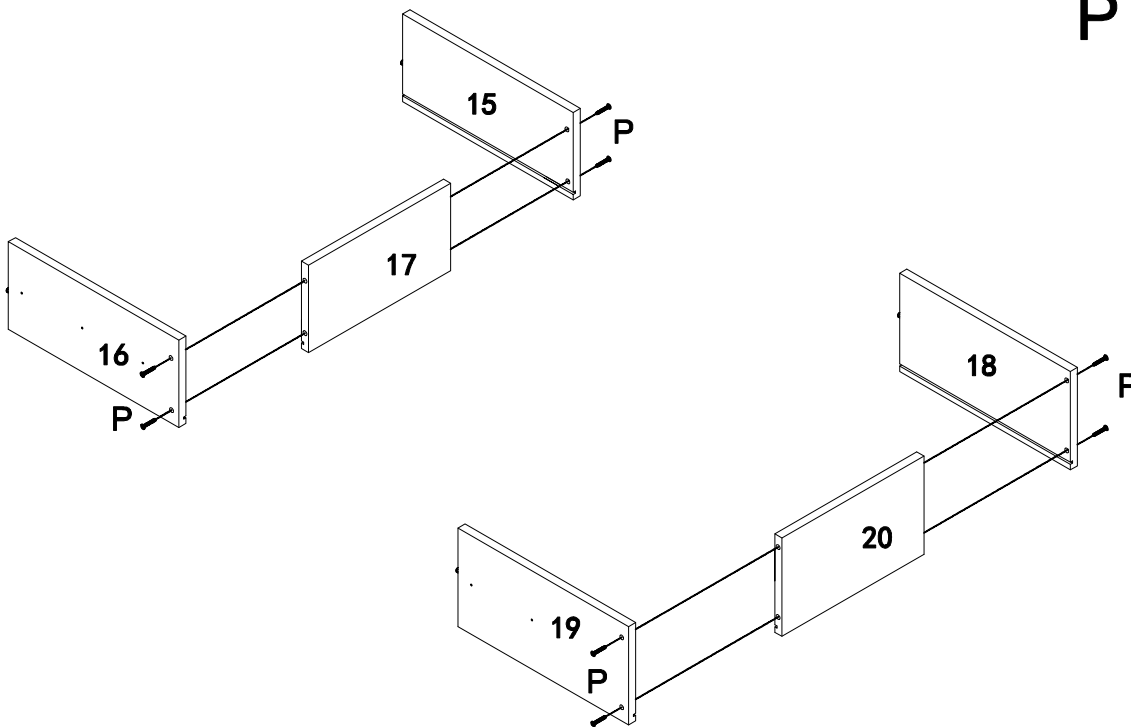
Step 12



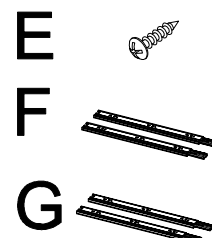
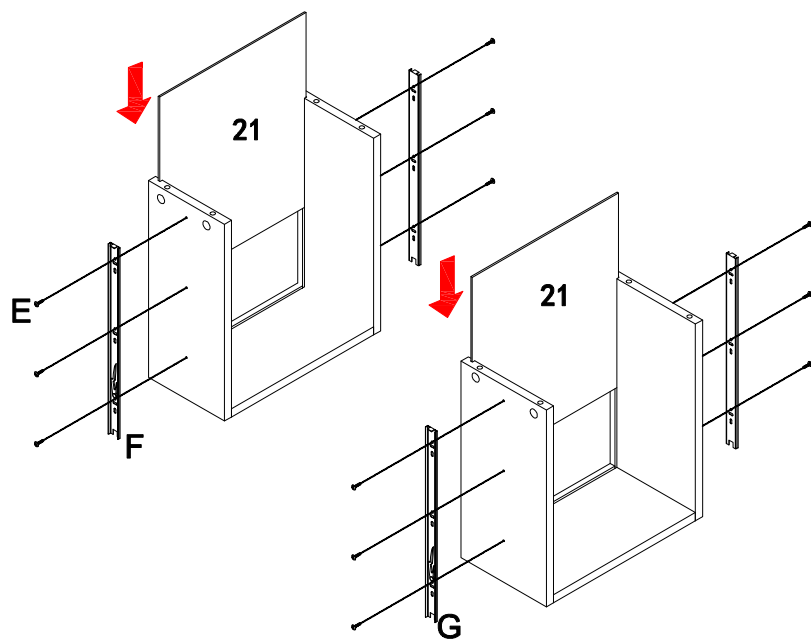
Step 13



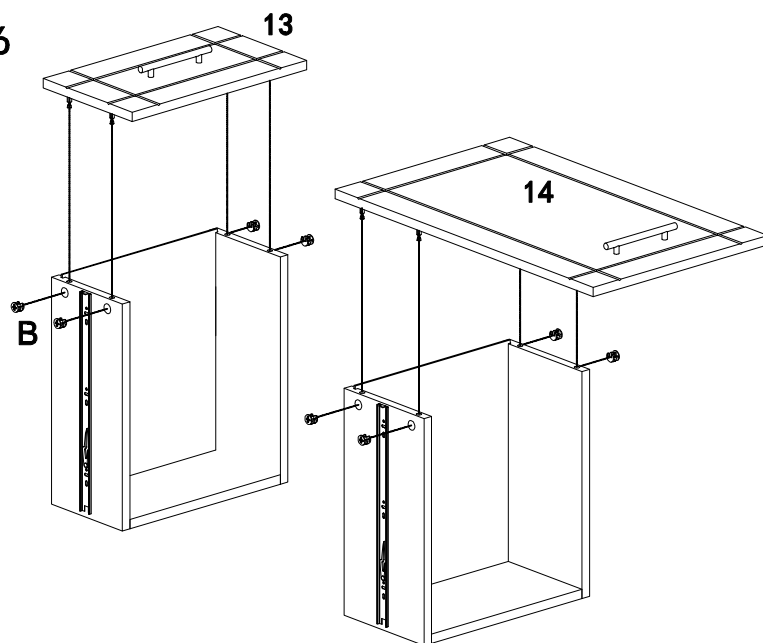
Step 14



Step 15

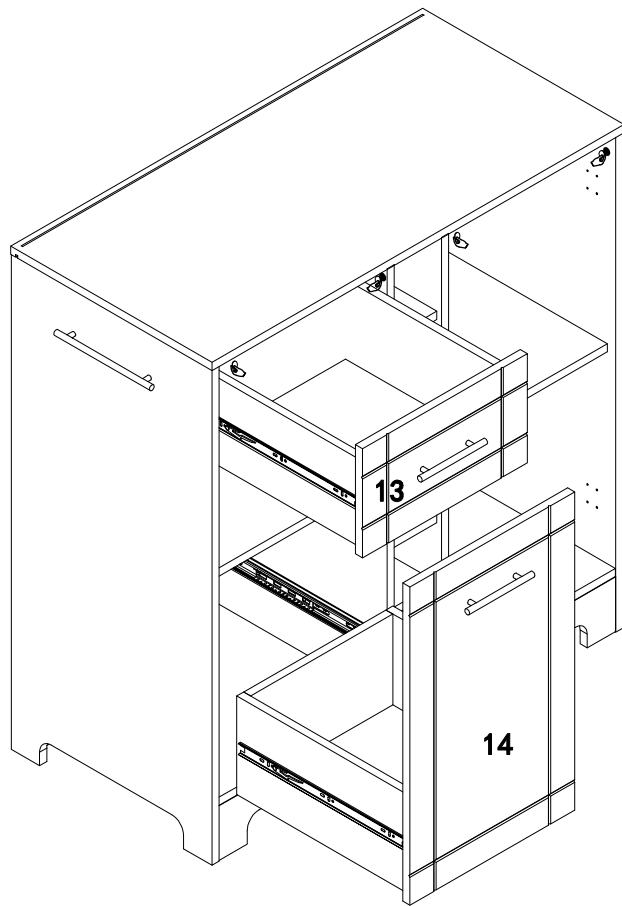
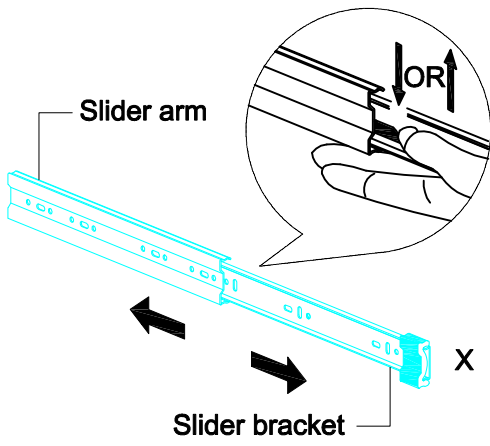


Step 16

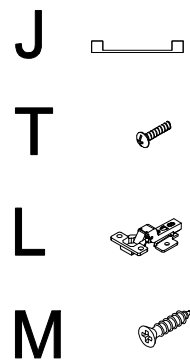
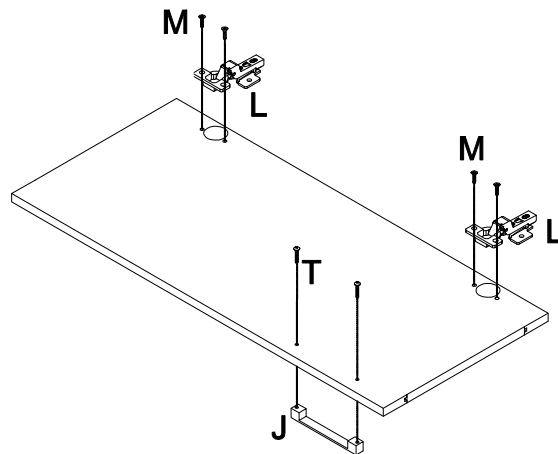


Step 17

C ○

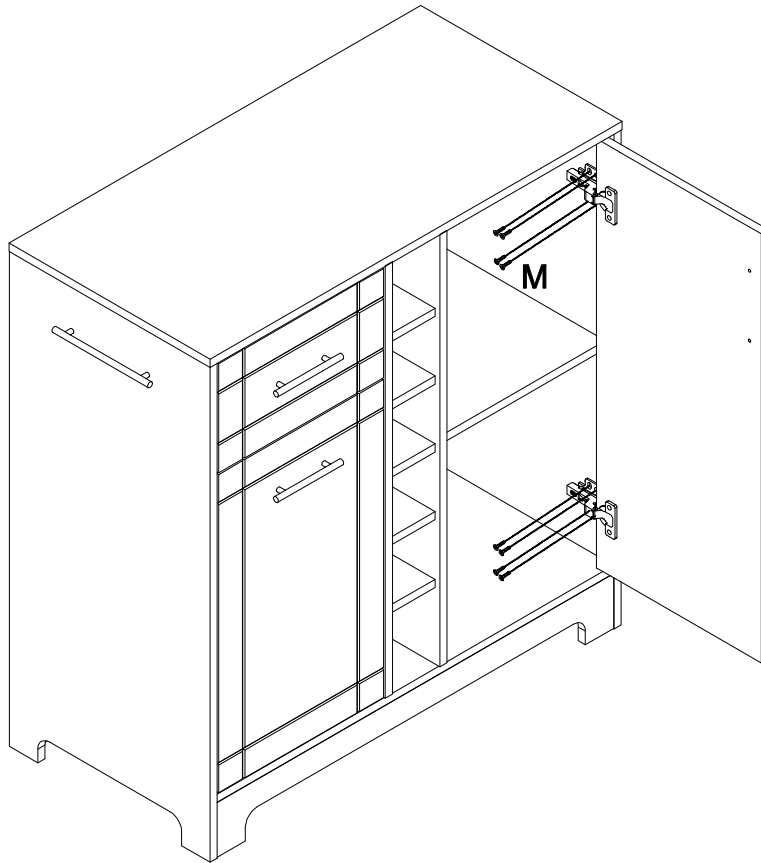


Step 18



Step 19

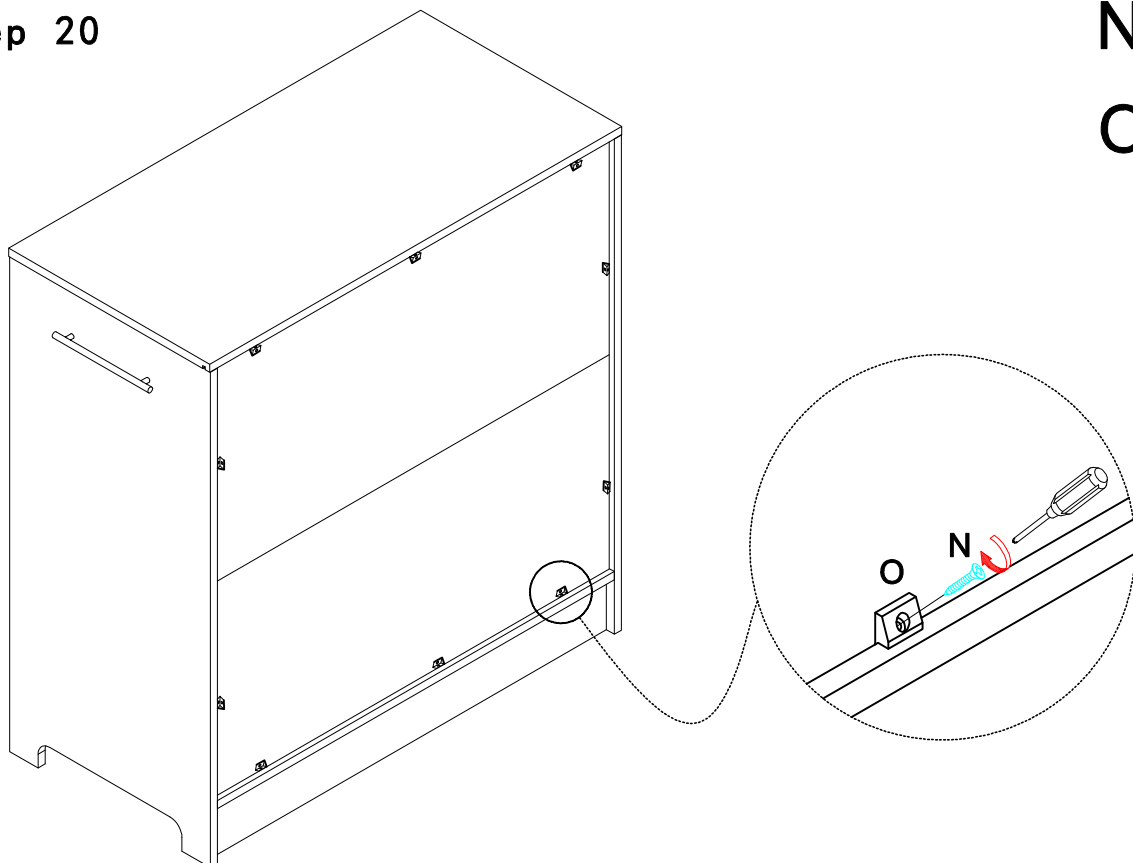
M 



Step 20

N 

O 



Step 21

