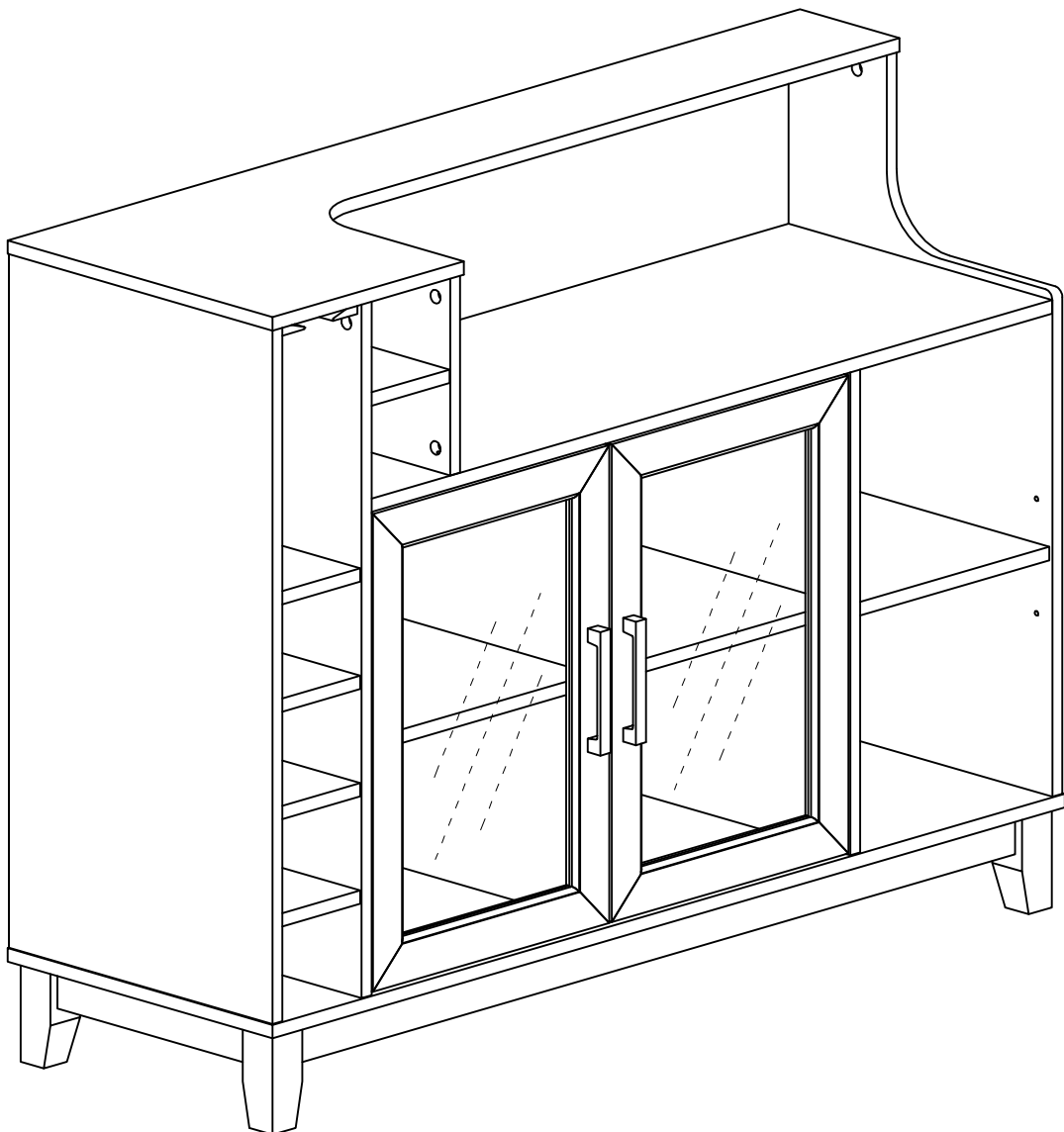


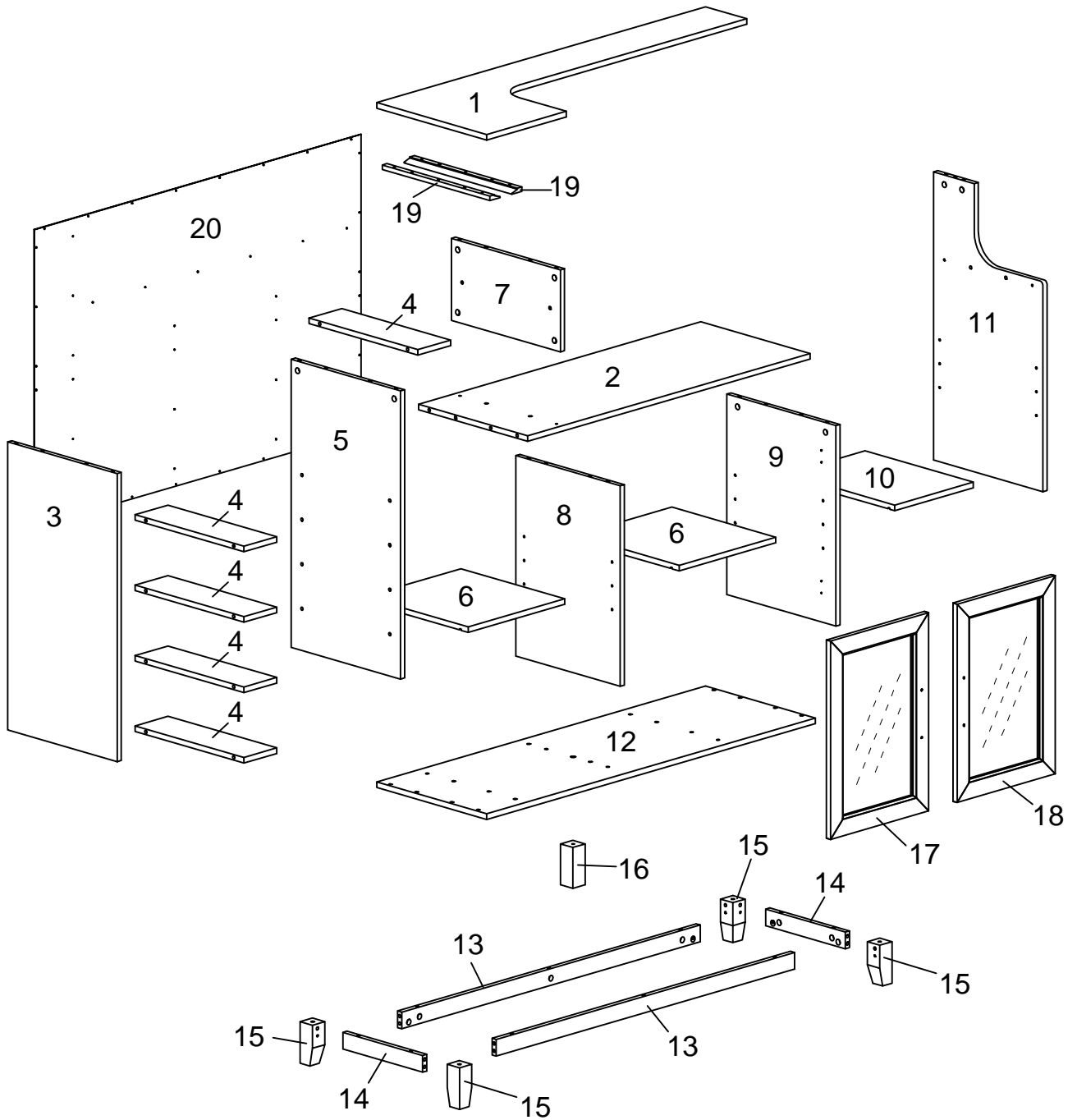
HOME SOURCE®

ASSEMBLY INSTRUCTION

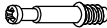





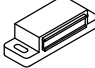
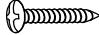



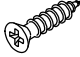






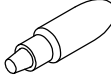

MODEL:DC81 MOP



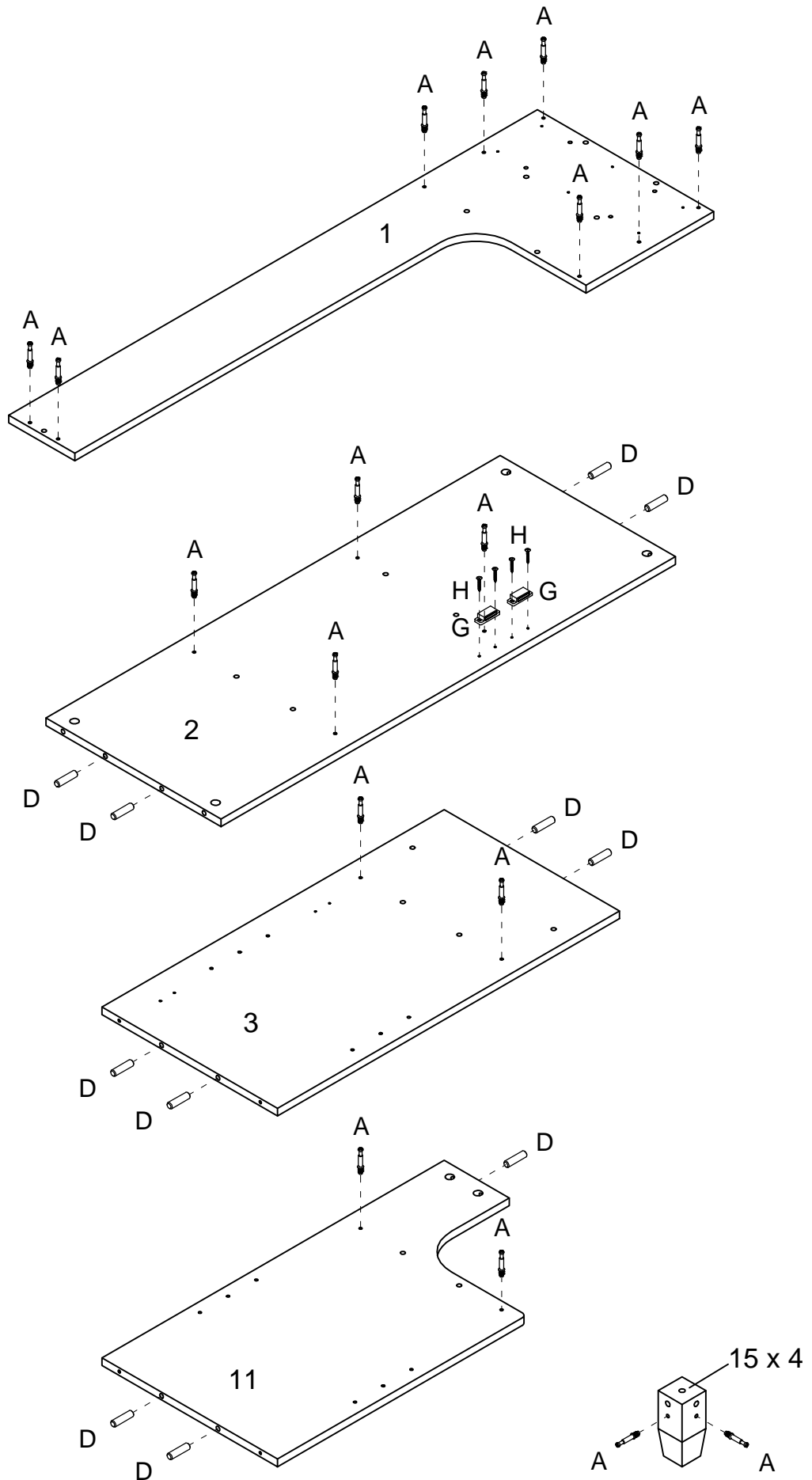
# PACKAGE CONTENT



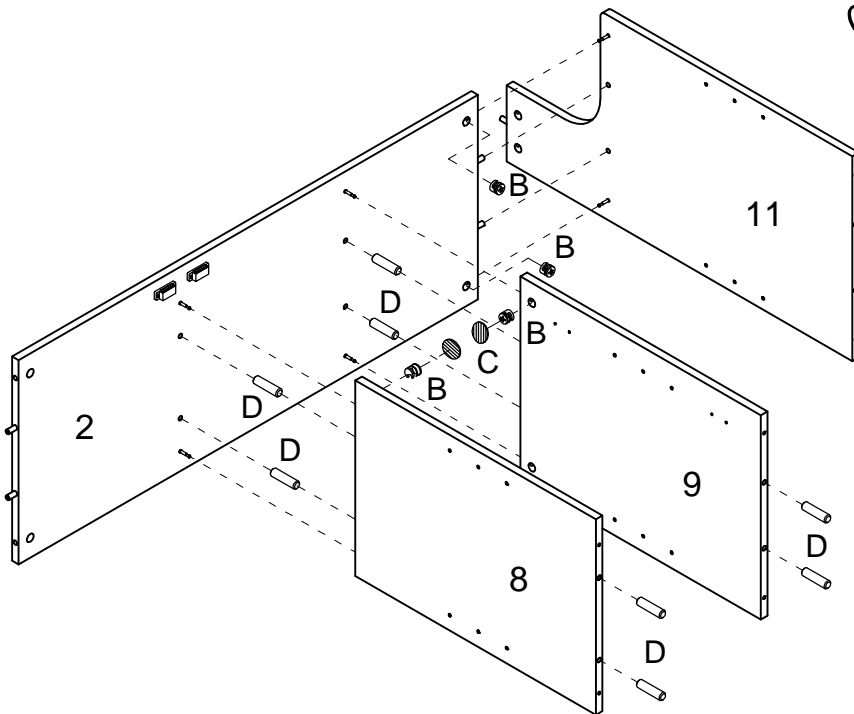
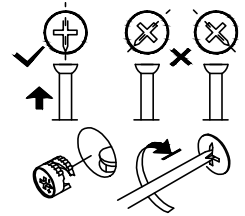
## Hardware List

A		ø5*25mm	KD Bolt	36 pcs
B		ø15*11mm	KD Cam	36 pcs
C		ø23mm	Sticker	18 pcs
D		ø8*30mm	Wood Dowel	59 pcs
E		ø6*50mm	Bolt	11 pcs
F		M4	Allen Key	1 pc
G		44*16*12mm	Magnet	2 pcs
H		Ø3*18mm	Screw	4 pcs
I		30*22*1mm	Iron Sheet	2 pcs
J		Ø2.5*12mm	Screw	2 pcs
K		Ø26mm	Hinge	4 pcs
L		Ø3.5*15mm	Screw	16 pcs
M		138*16*19mm	Handle	2 pcs
N		5/32"*20mm	Bolt	4 pcs
O		Ø3*15mm	Screw	48 pcs
P		Ø5*16mm	Shelf Support	12 pcs
Q		Ø6*20mm	Wood Dowel	4 pcs
R		Ø4*20mm	Screw	6 pcs
S			Glue tube	1 pc
T		Ø5*16mm	Anti-Tipping Kit	2 sets

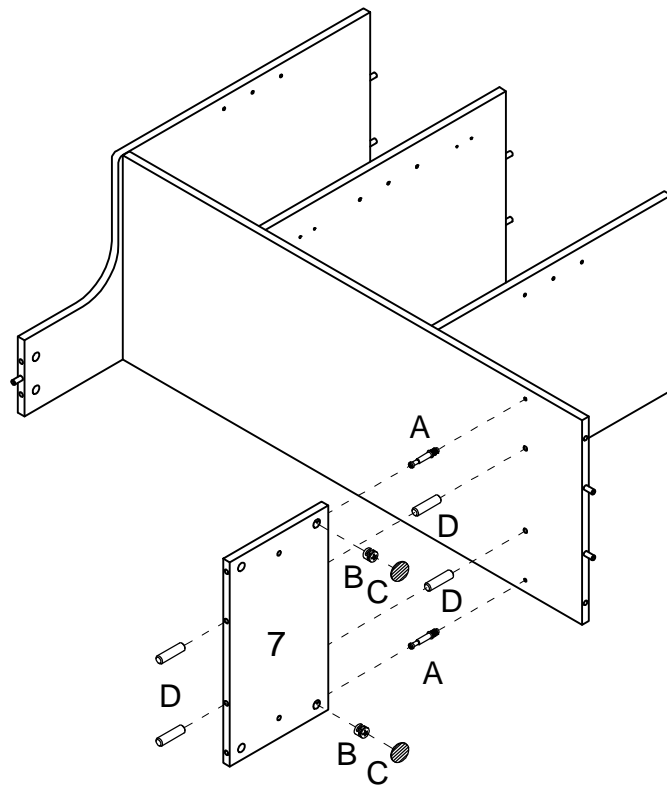
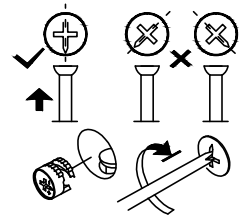
# Step 1



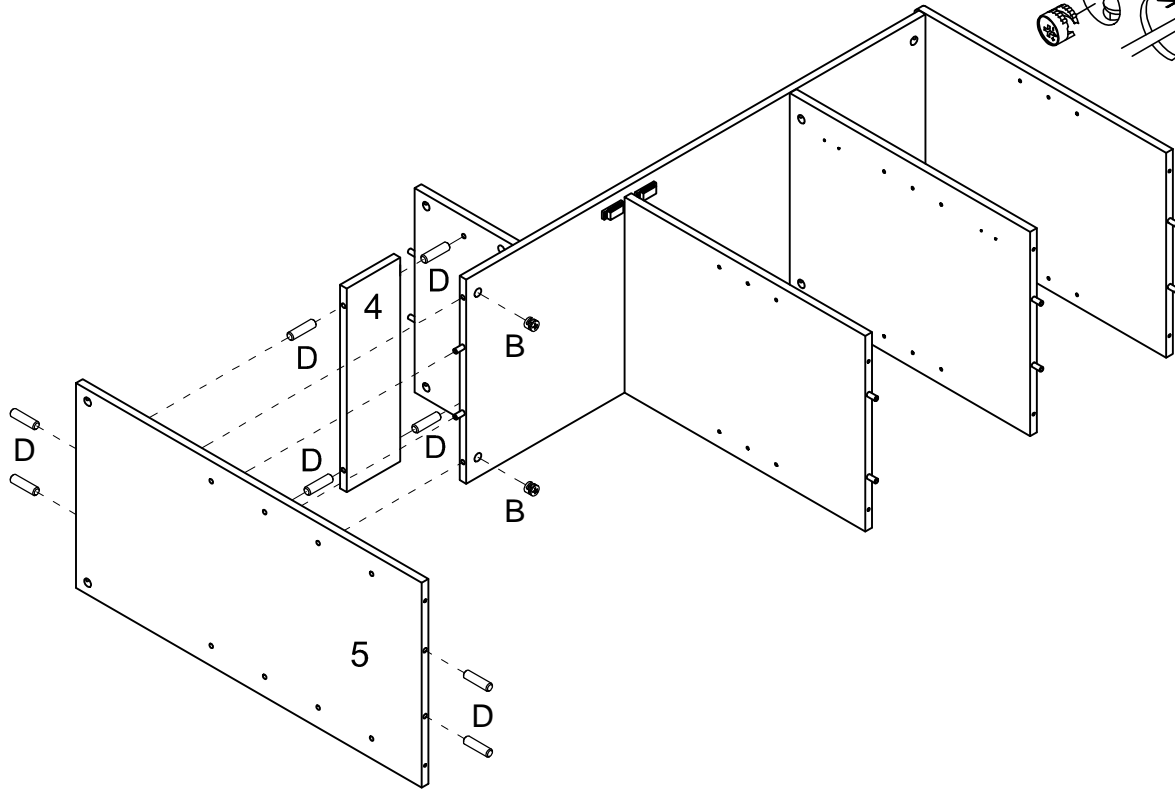
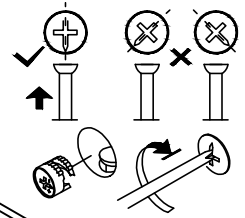
## Step 2



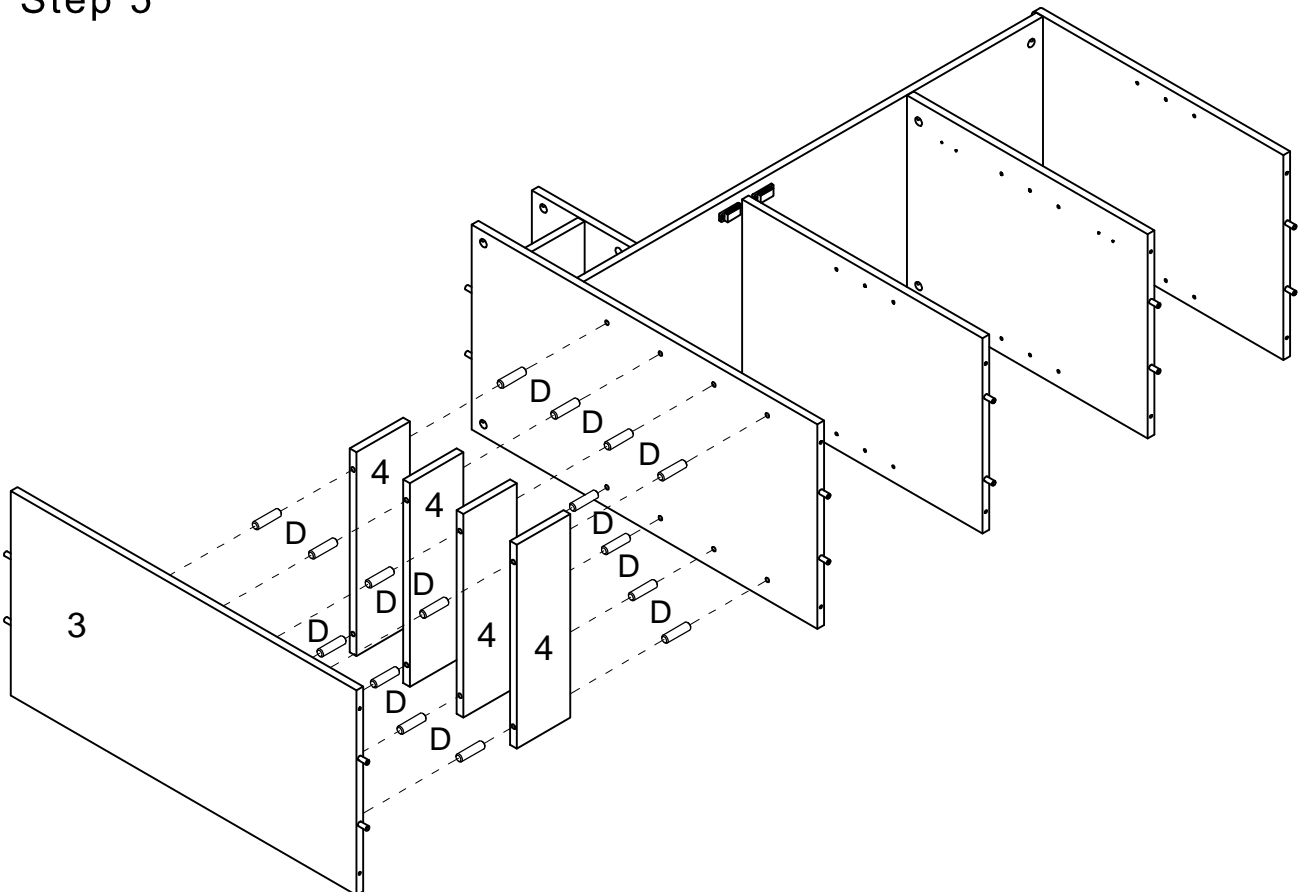
## Step 3



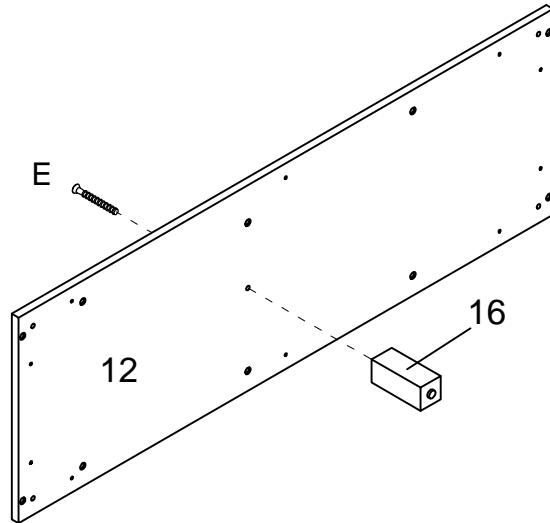
### Step 4



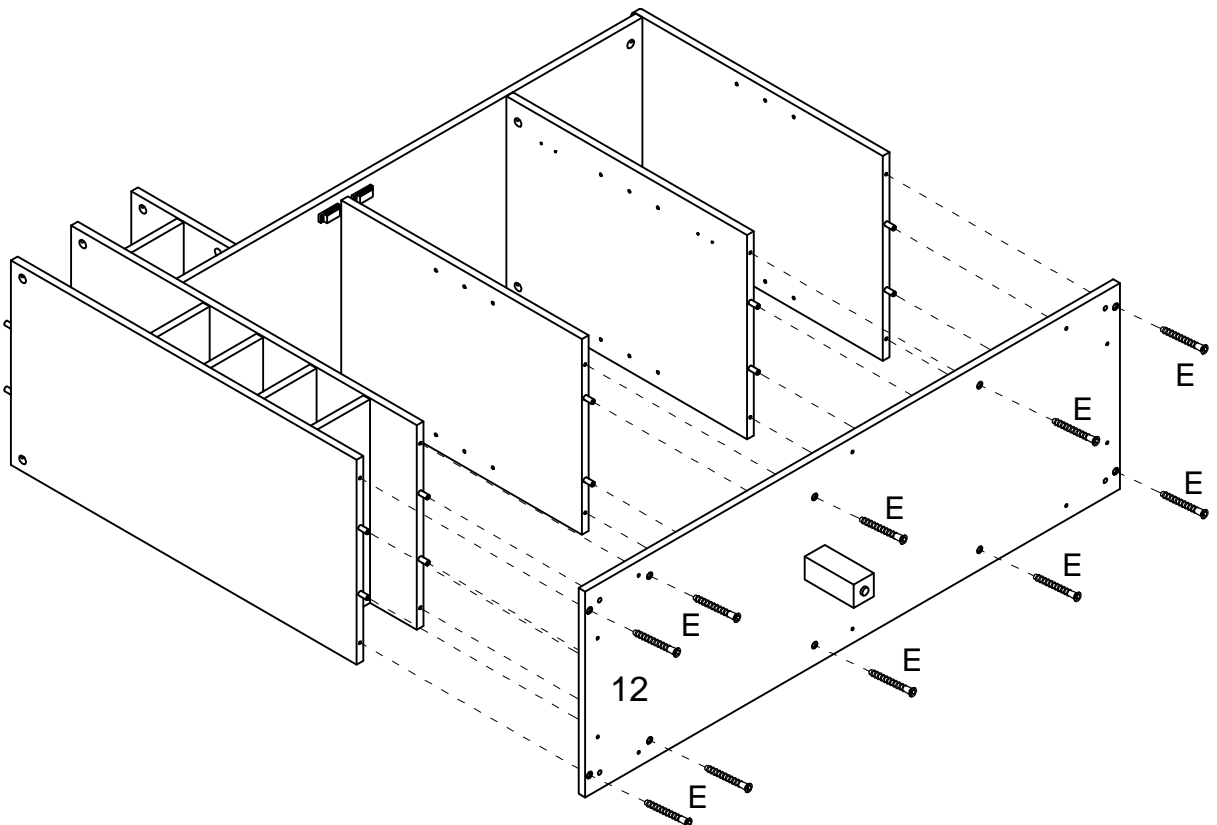
### Step 5



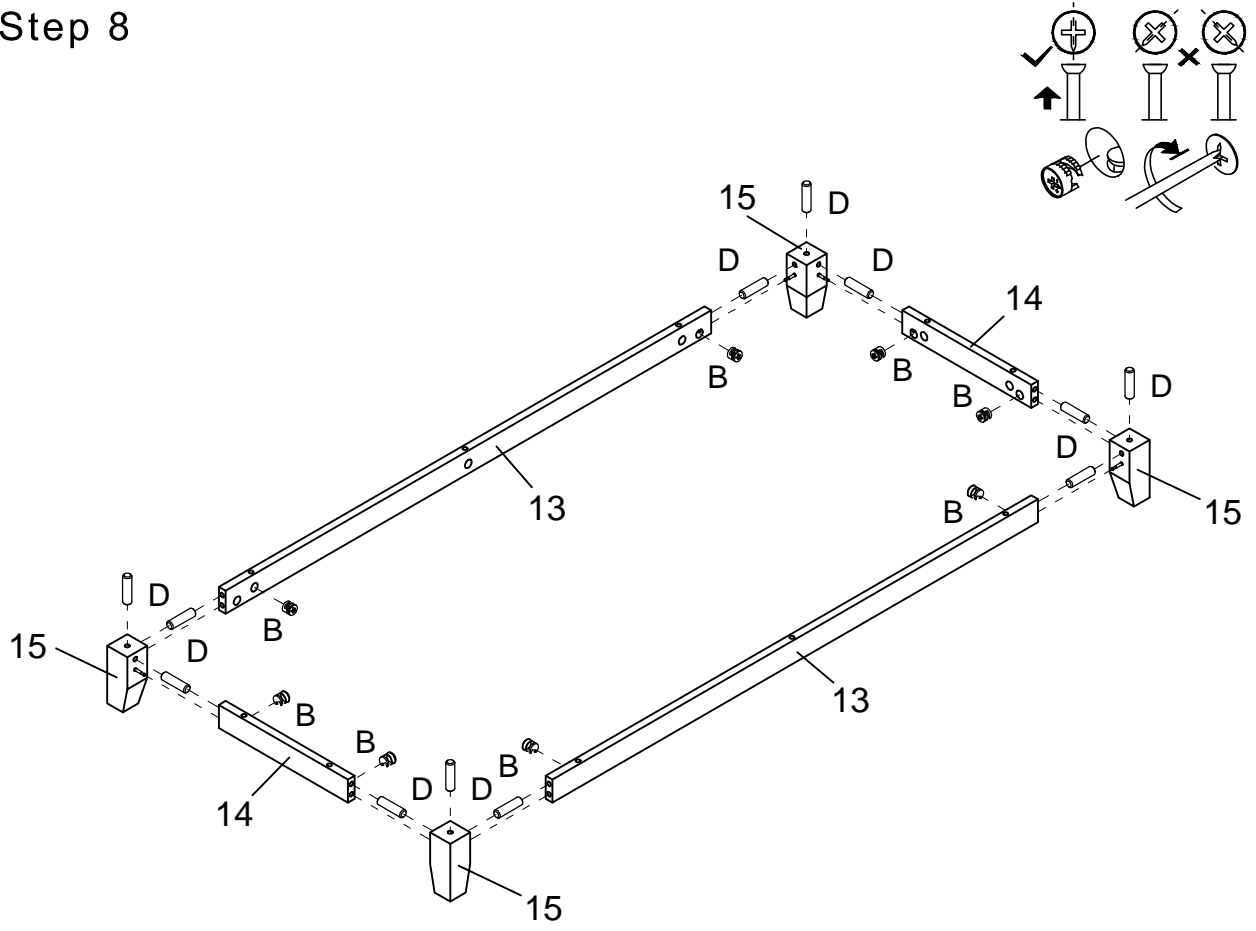
## Step 6



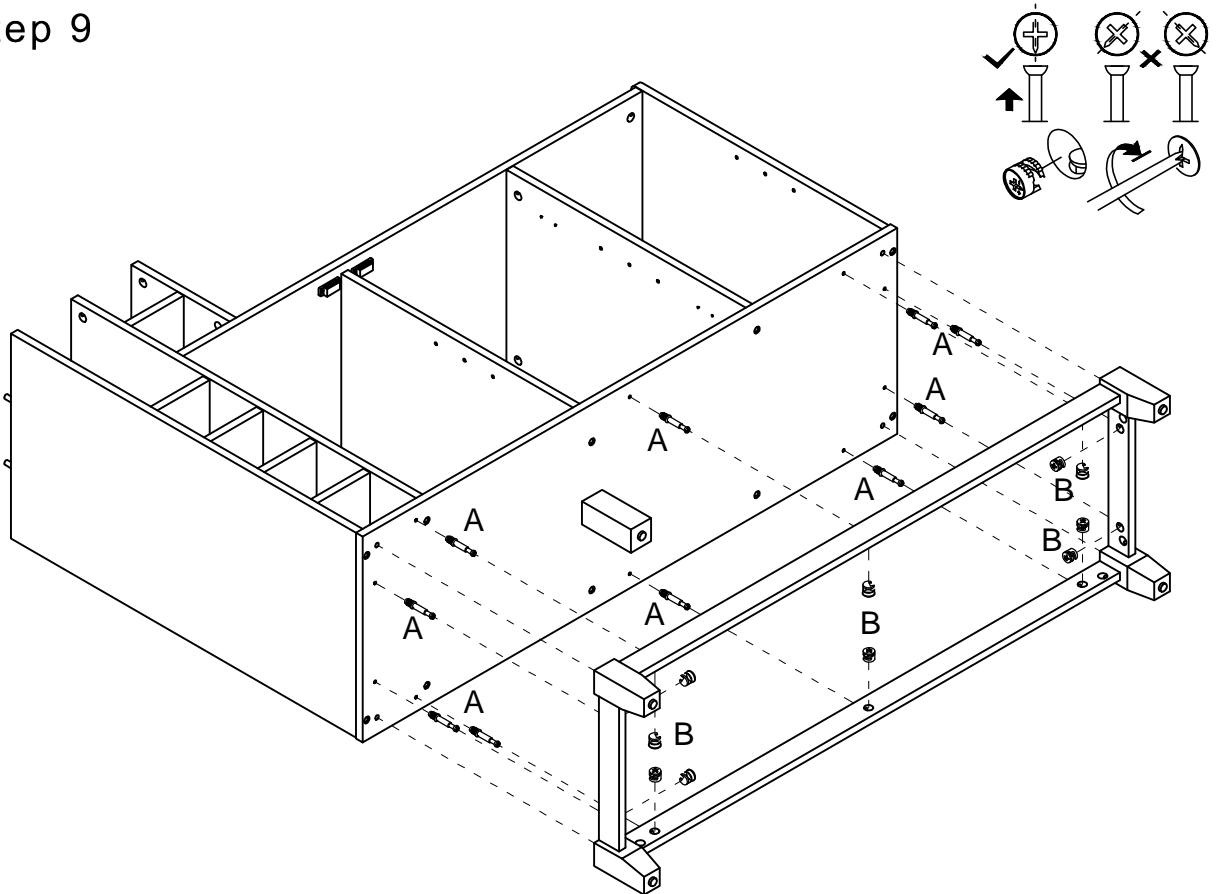
## Step 7



# Step 8

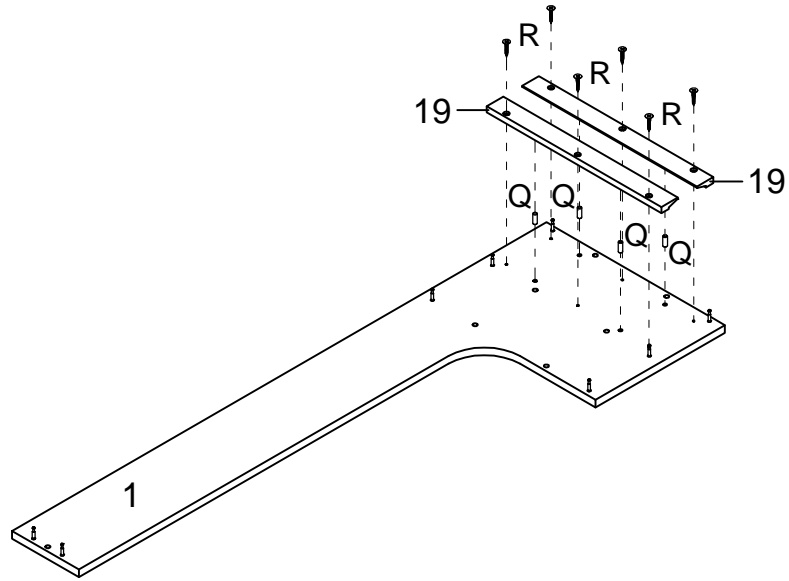


# Step 9



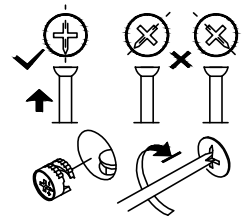
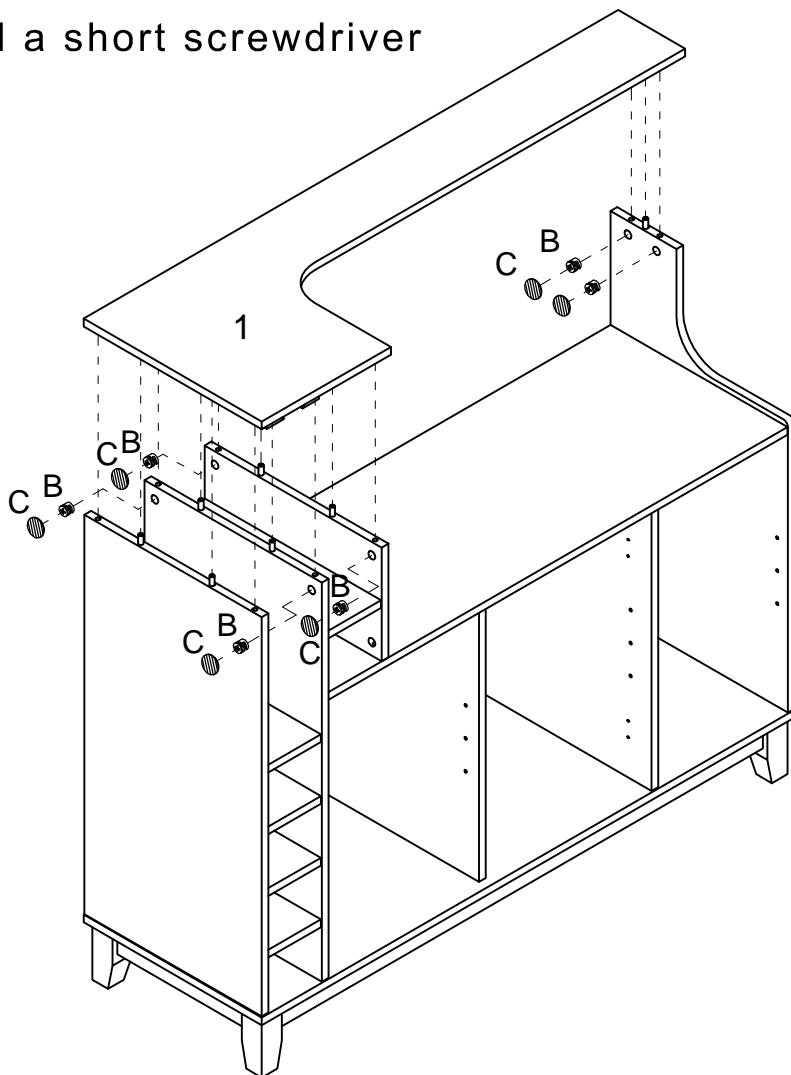


## Step 10

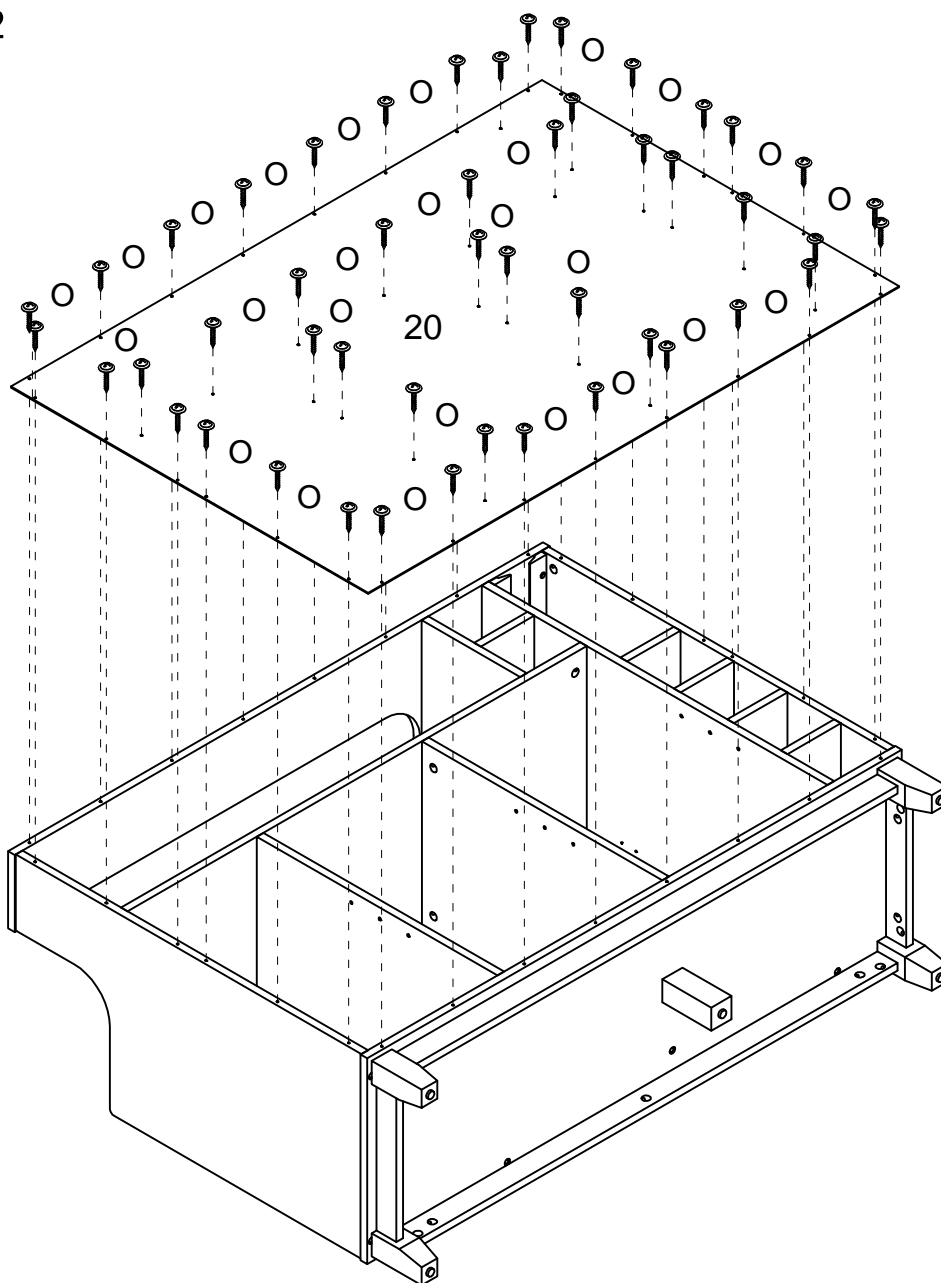


## Step 11

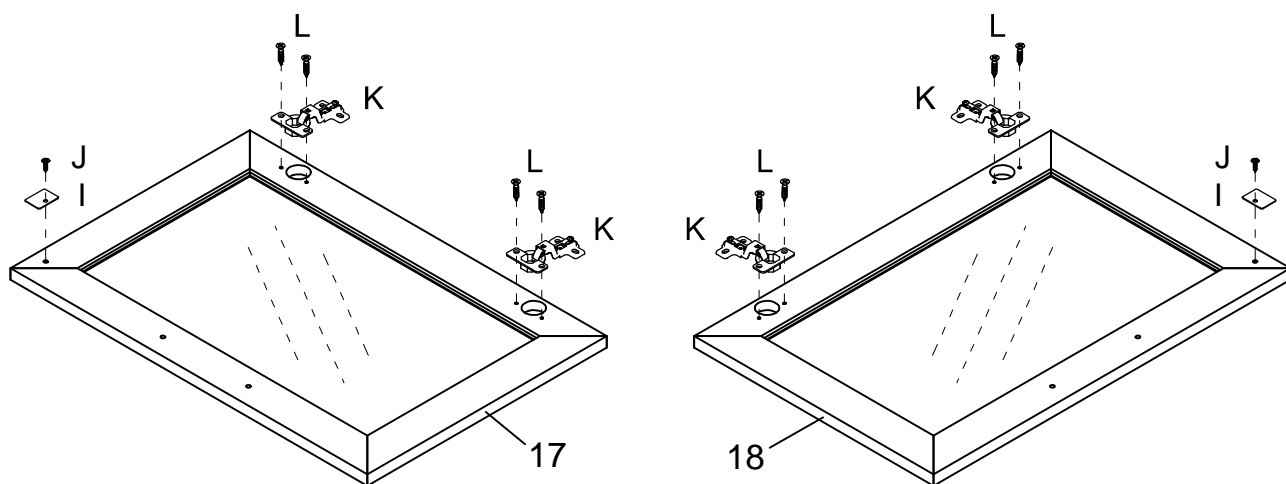
You need a short screwdriver



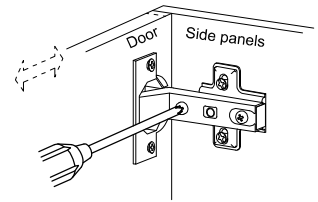
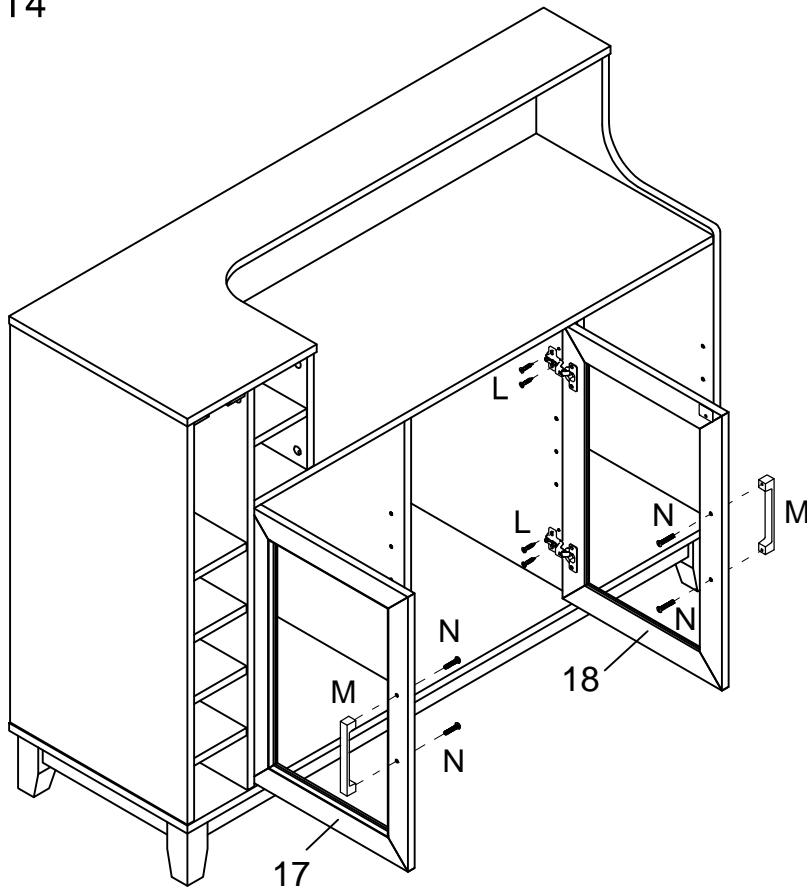
### Step 12



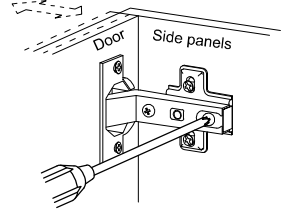
### Step 13



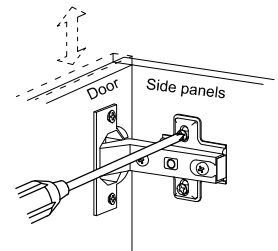
## Step 14



Horizontal  
by screw adjustment

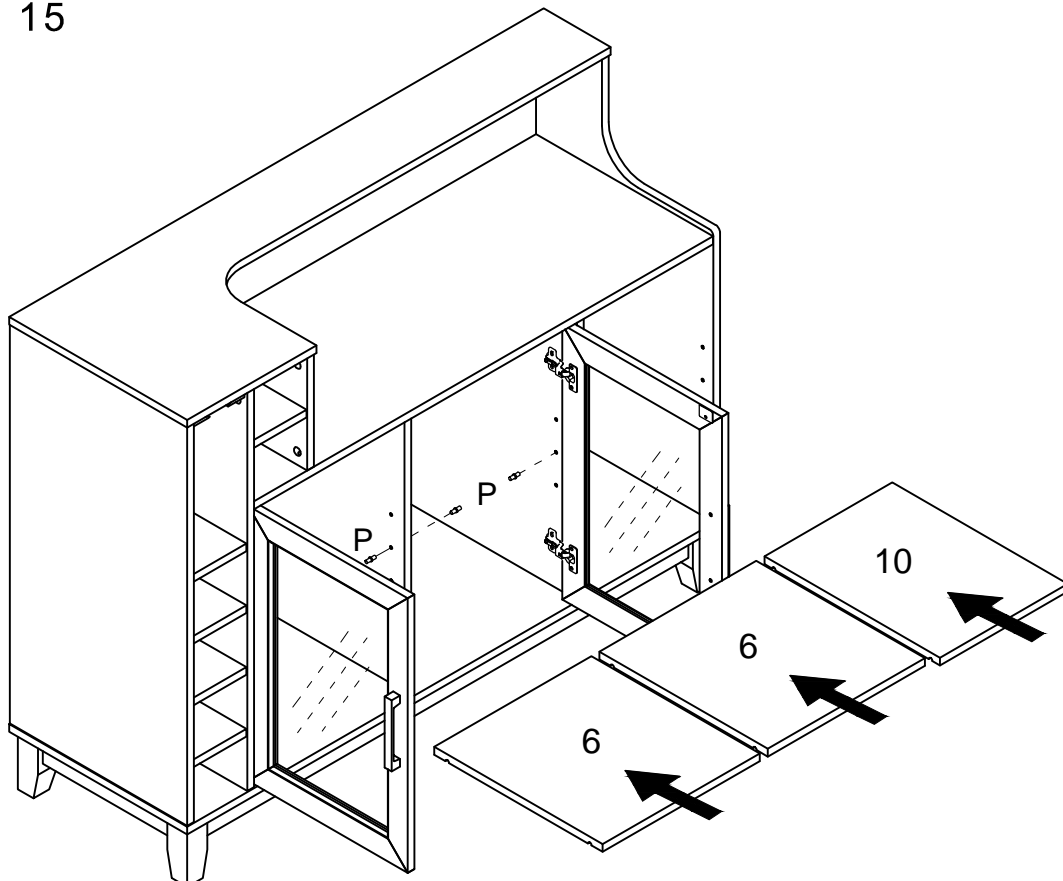


In-and-Out  
by loosening the hinge-arm  
mounting screw or via cam  
adjustment



Vertical  
Via slots in the mounting  
plate or via cam  
adjustment

## Step 15



# Step 16

Wall

