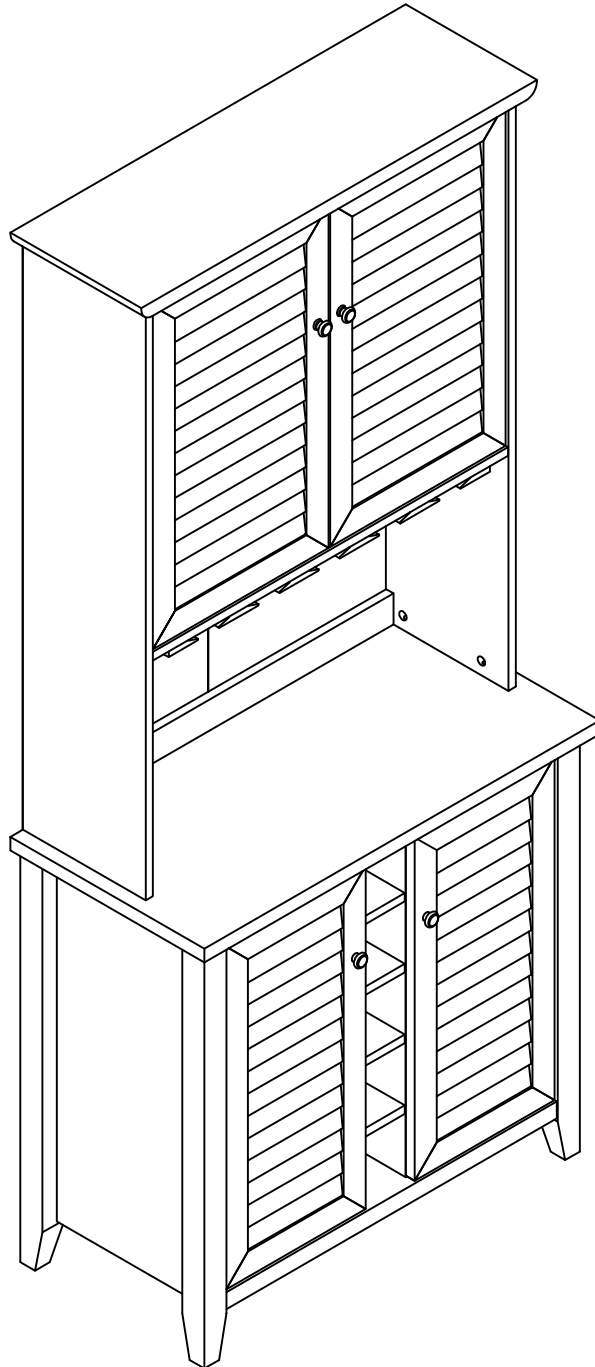
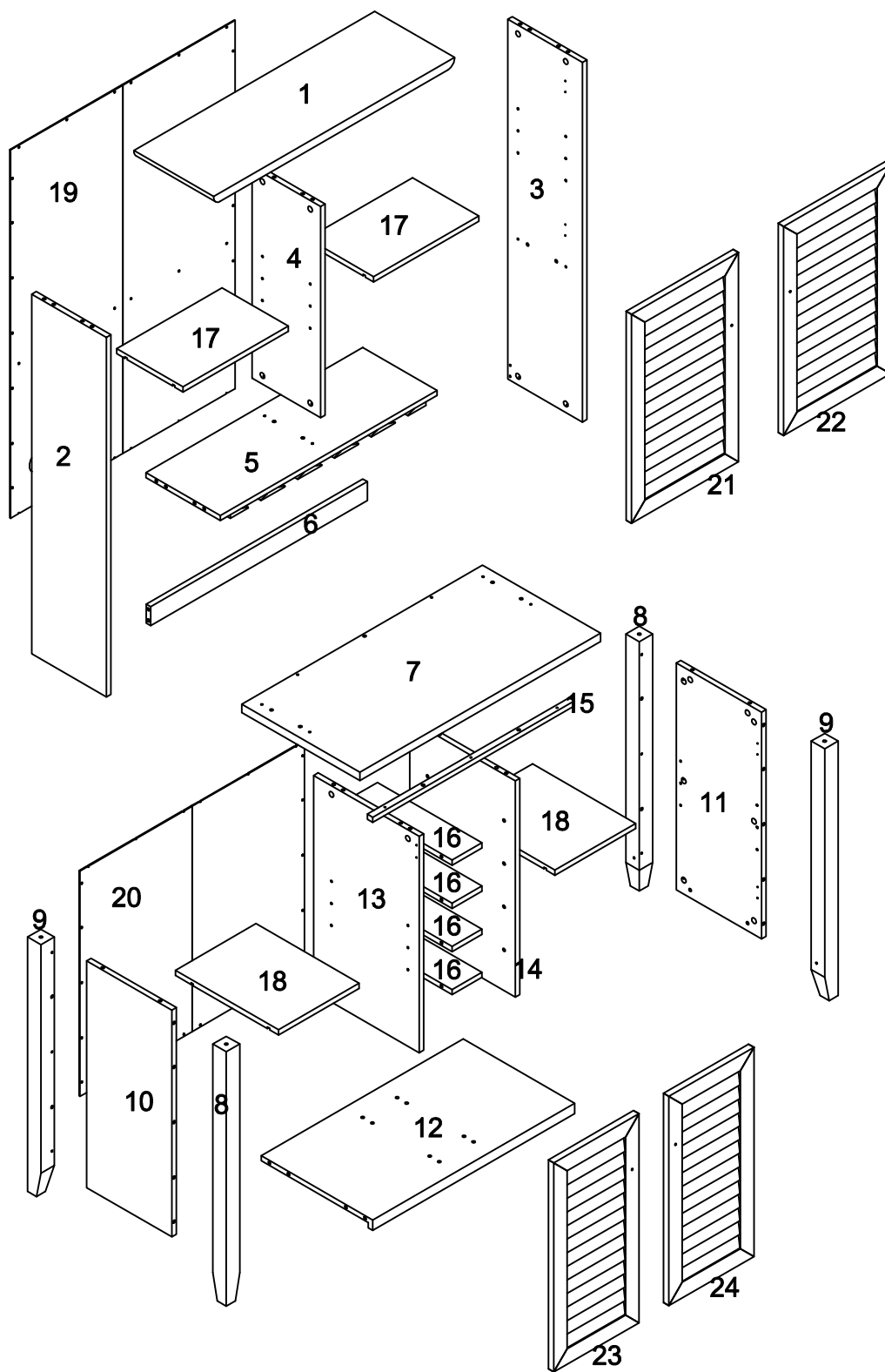


HOME SOURCE®

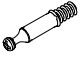



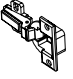











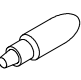


ASSEMBLY INSTRUCTION
MODEL:DC10 MOP



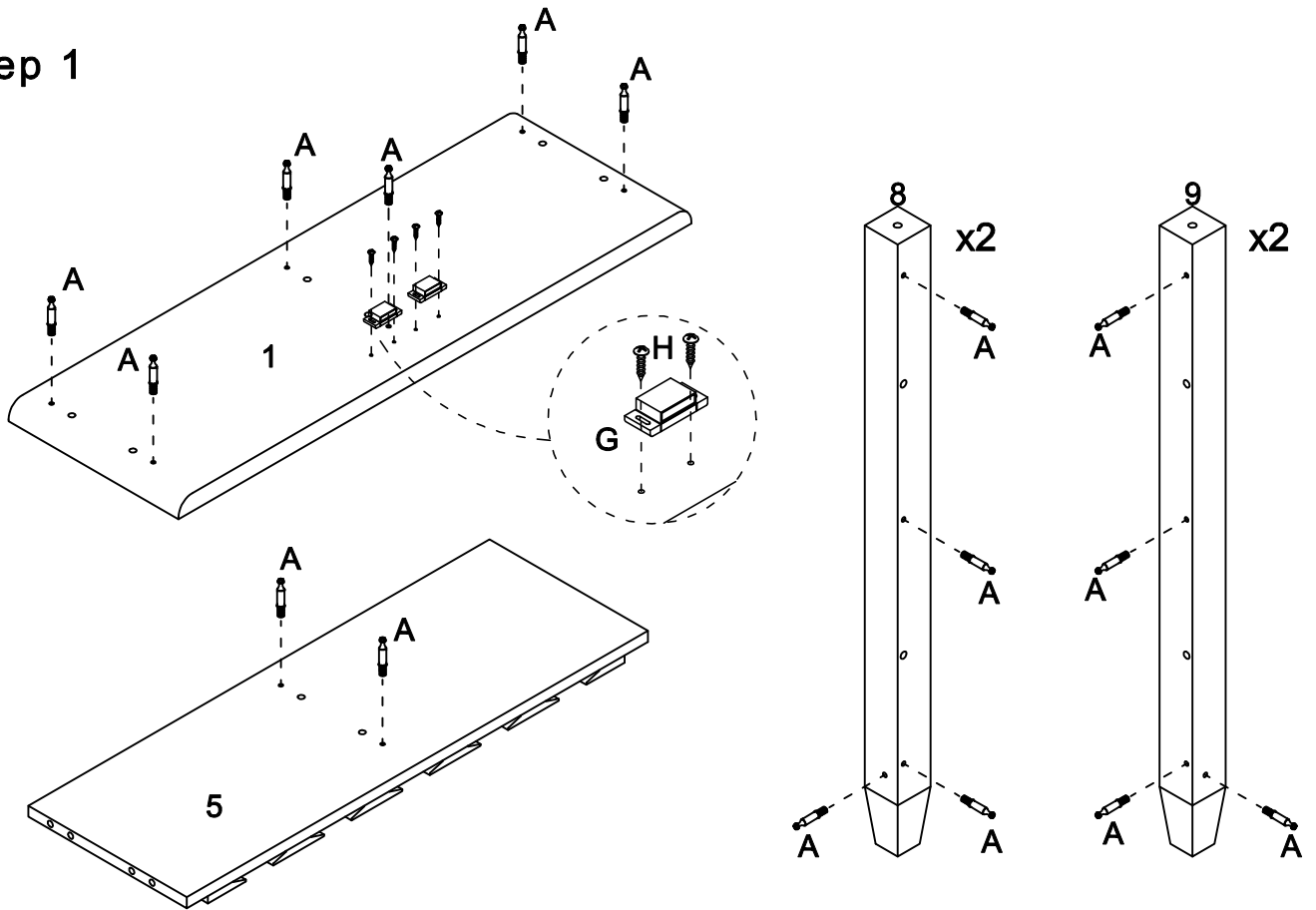
Parts List



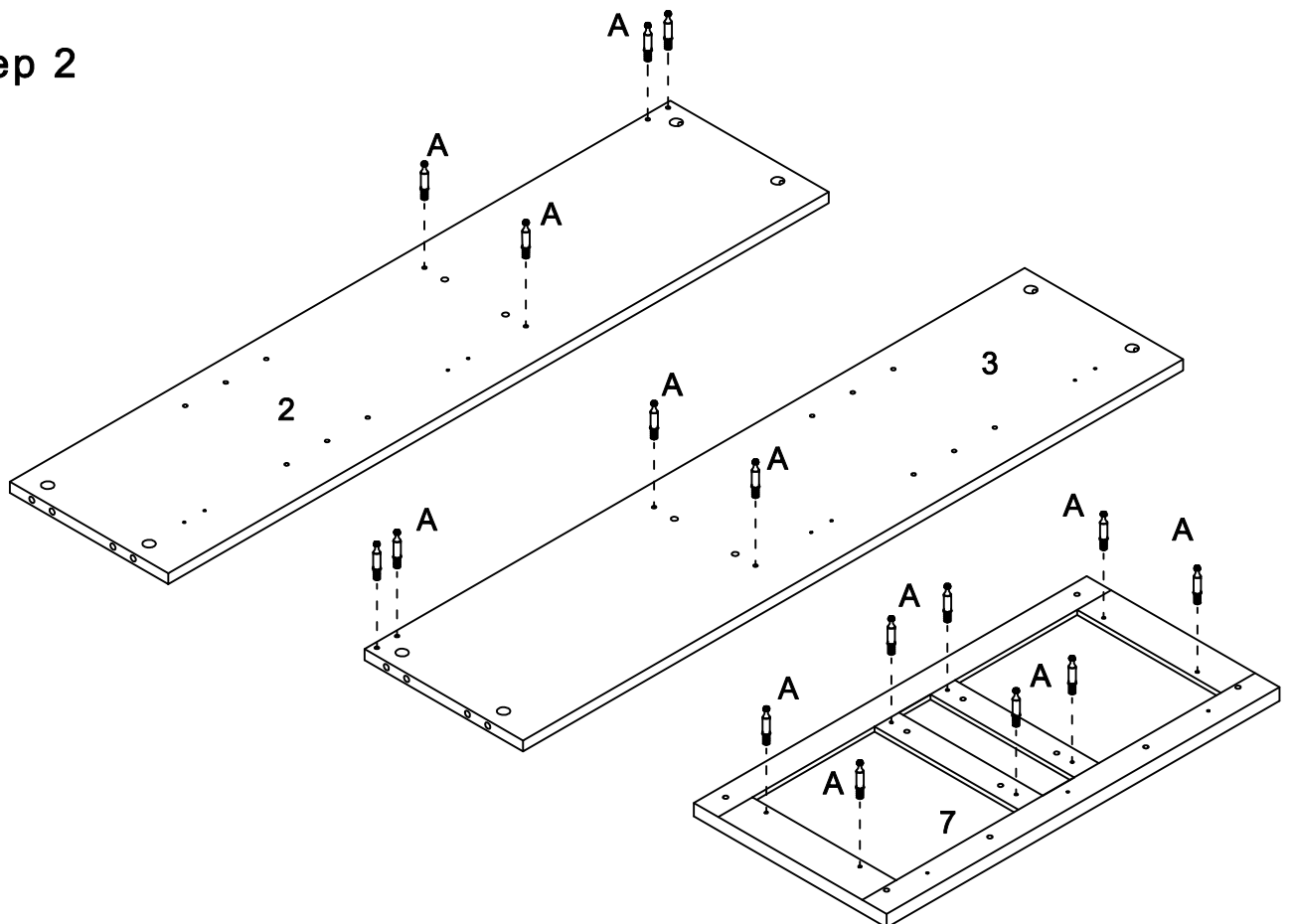
Hardware List

A		Ø5*25mm	Bolt	46 pcs
B		Ø15*11mm	Nut	46 pcs
C		Ø8*30mm	Wood Dowel	59 pcs
D		Ø5*16mm	Shelf Support	16 pcs
E		Ø26mm	Hinge	8 pcs
F		Ø4*15mm	Screw	32 pcs
G		44x16x12mm	Magnet	4 pcs
H		Ø3.5*15mm	Screw	8 pcs
I		30x22x1mm	Iron Sheet	4 pcs
J		Ø2*12mm	Screw	4 pcs
K		Ø6*50mm	Bolt	4 pcs
L		M4	Allen Key	1 pc
M		Ø4*25mm	Screw	3pcs
N		Ø31*25mm	Handle	4 pcs
O		Ø4*24mm	Bolt	4 pcs
P		Ø3*15mm	Screw	48 pcs
Q			Glue	1 pc
R			Paper Cover	10 pcs
S			Anti-Tipping Kit	2 sets

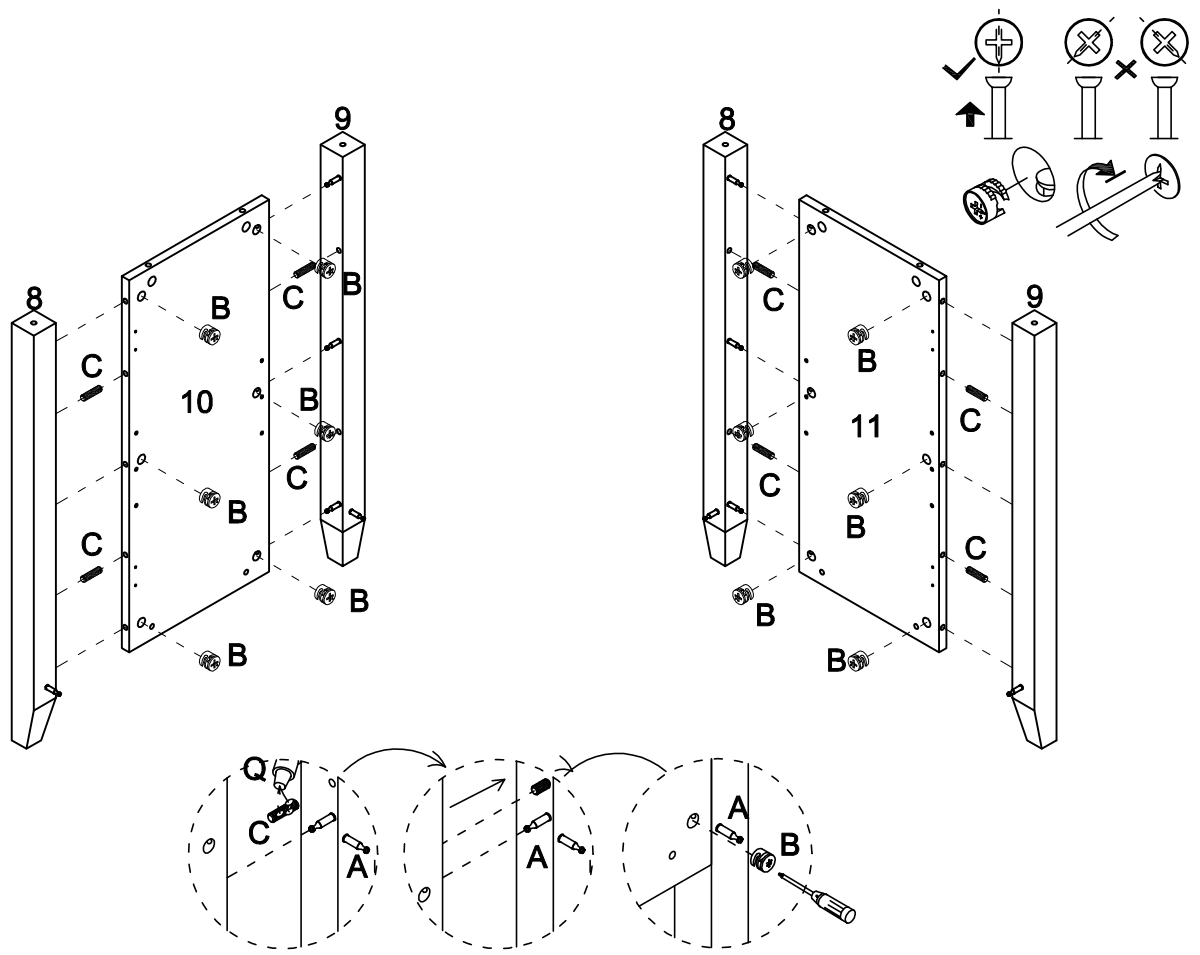
Step 1



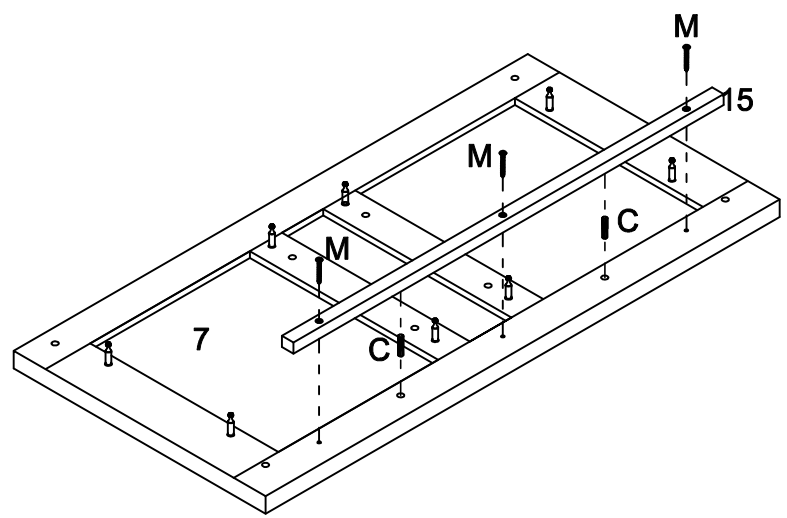
Step 2



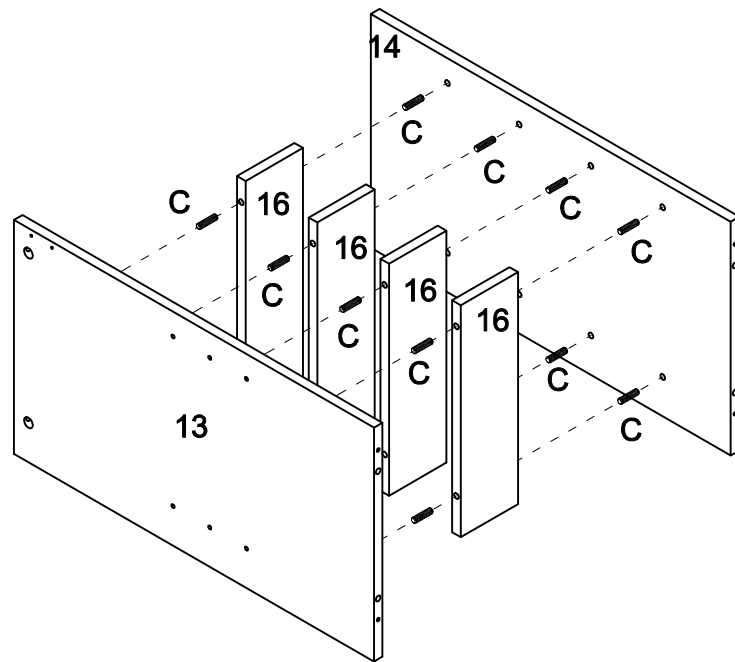
Step 3



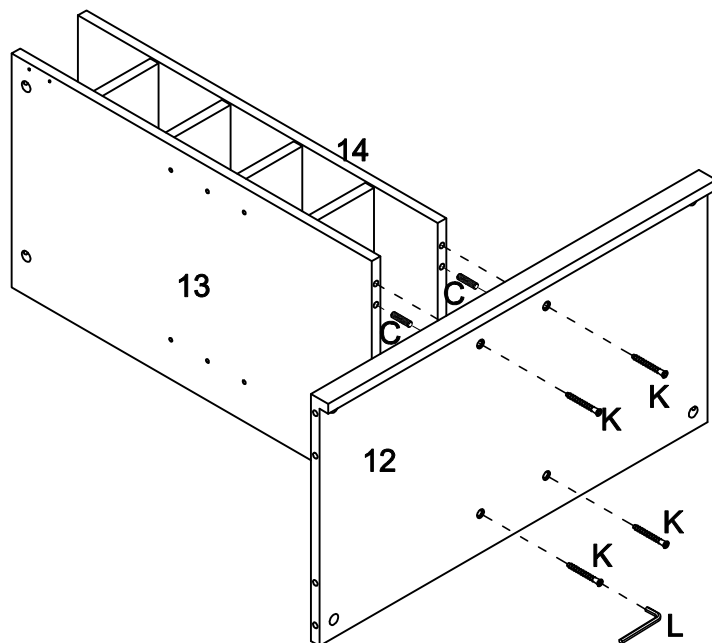
Step 4



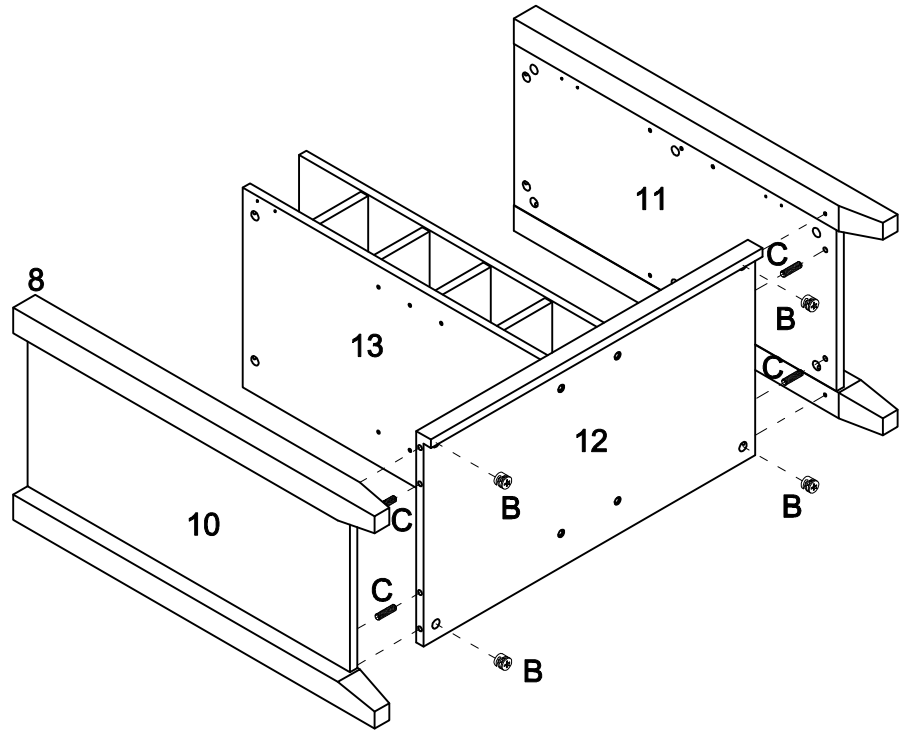
Step 5



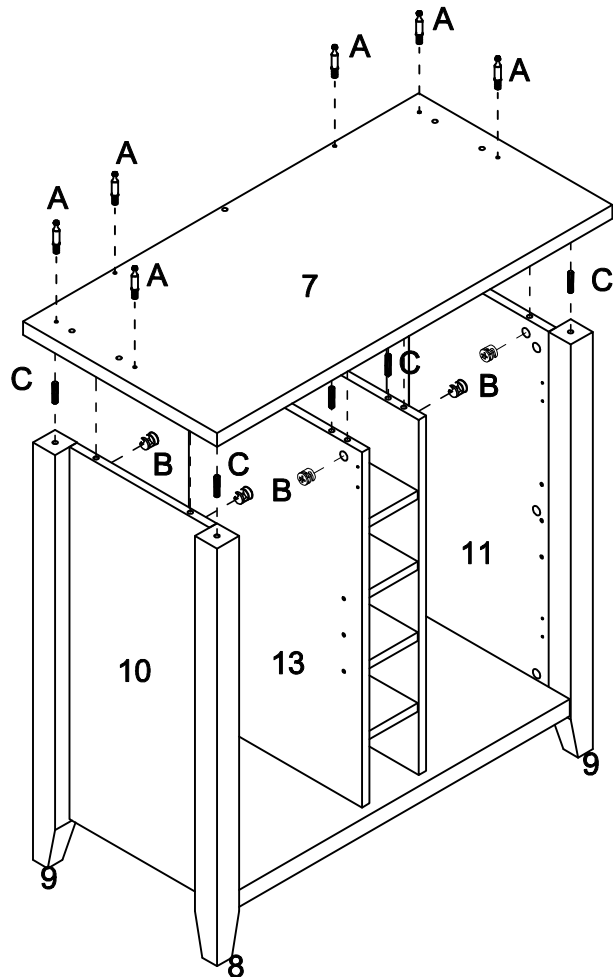
Step 6



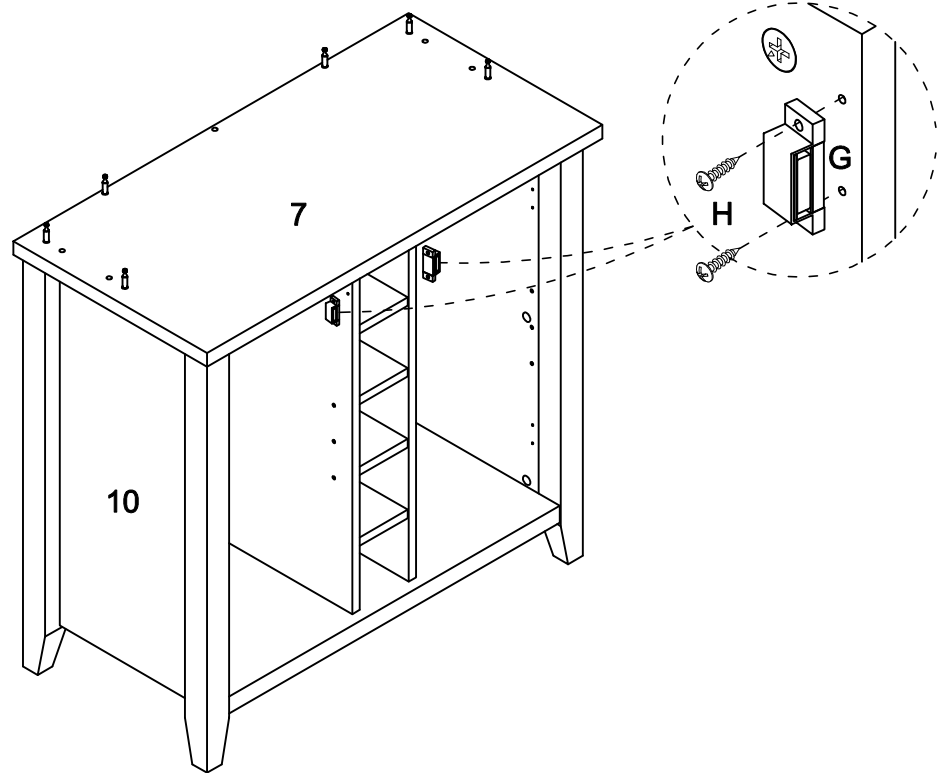
Step 7



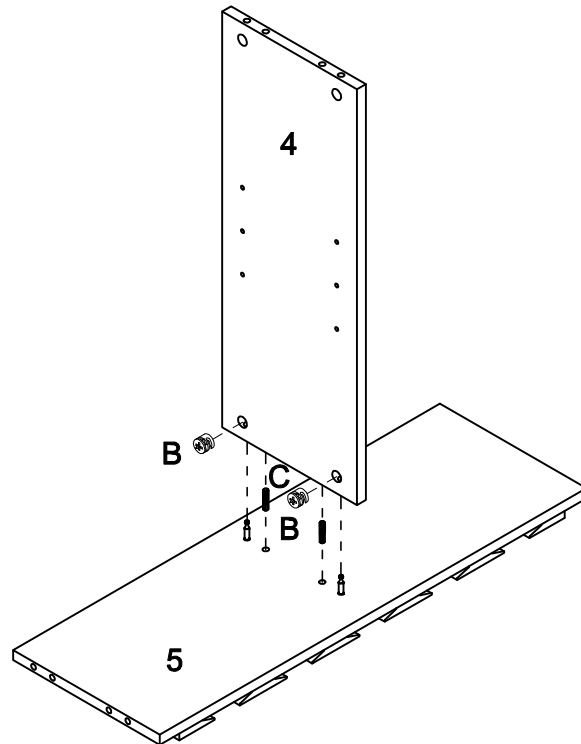
Step 8



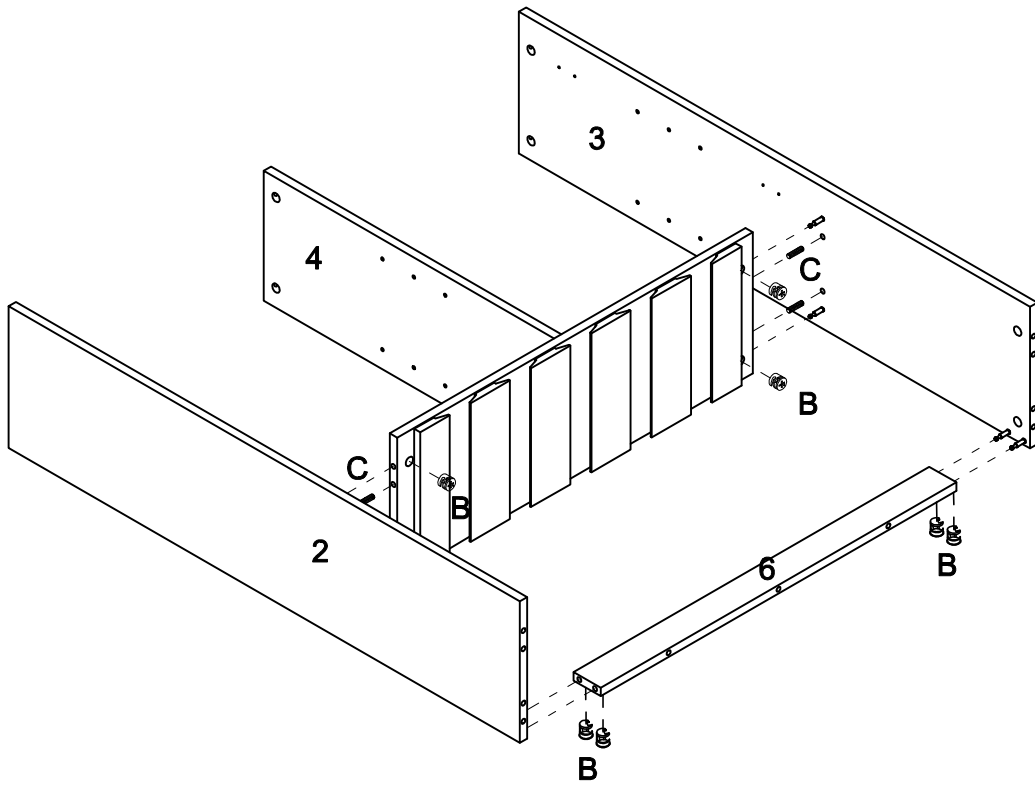
Step 9



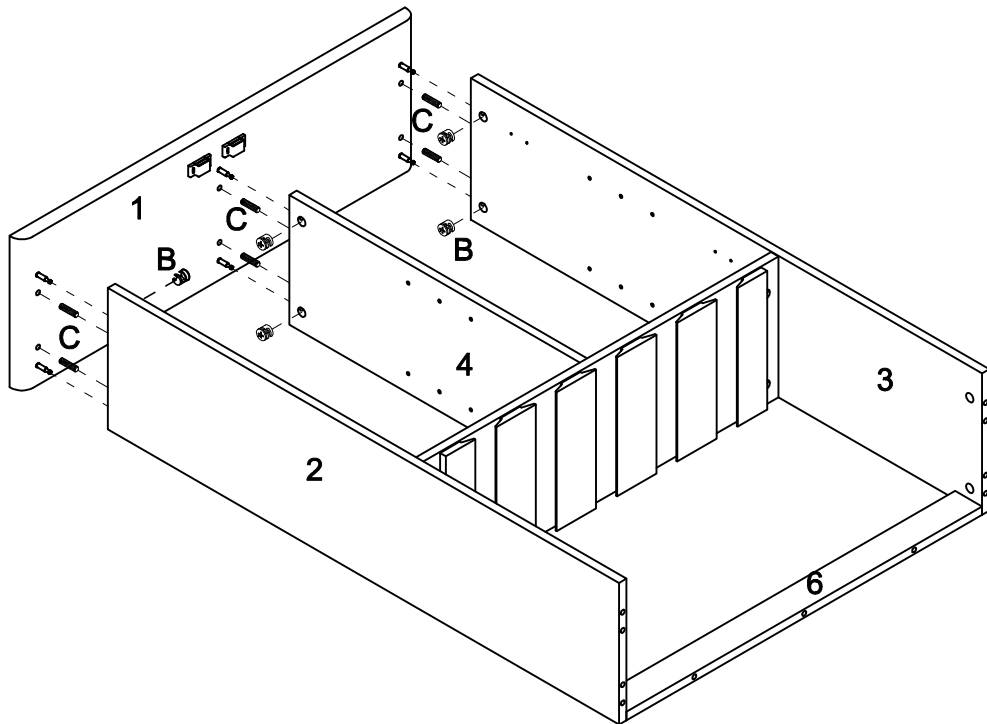
Step 10



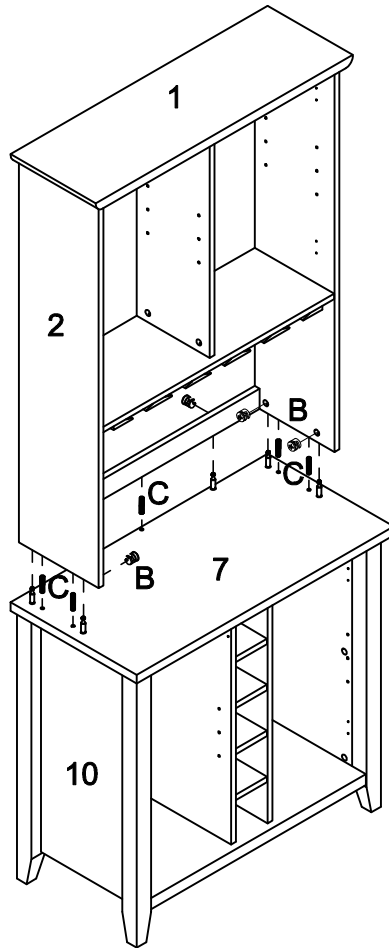
Step 11



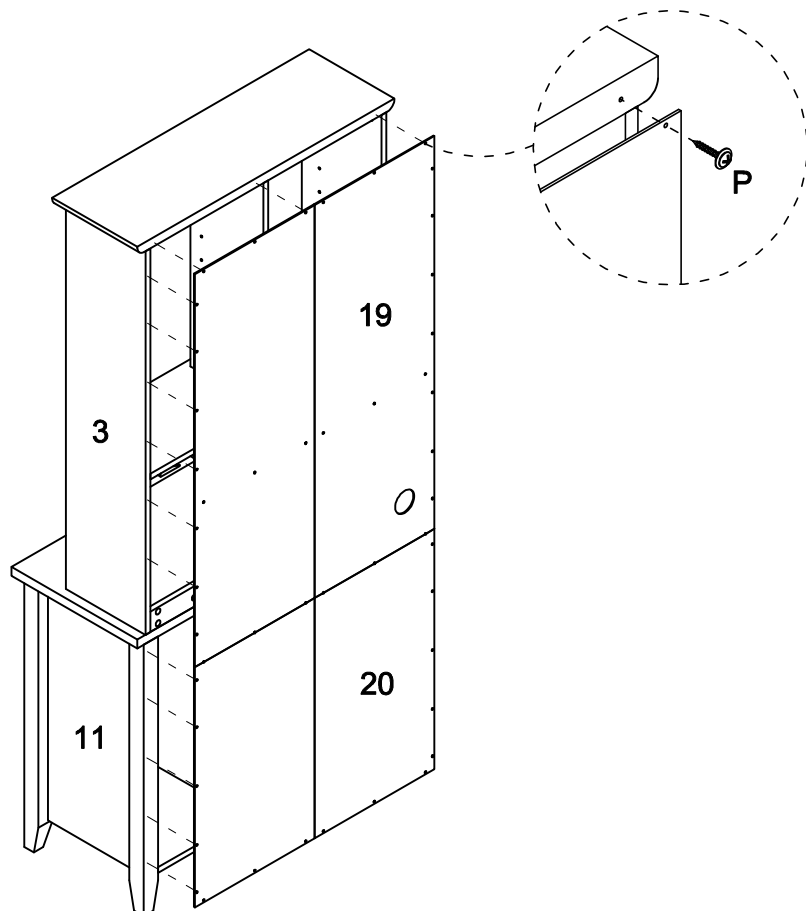
Step 12



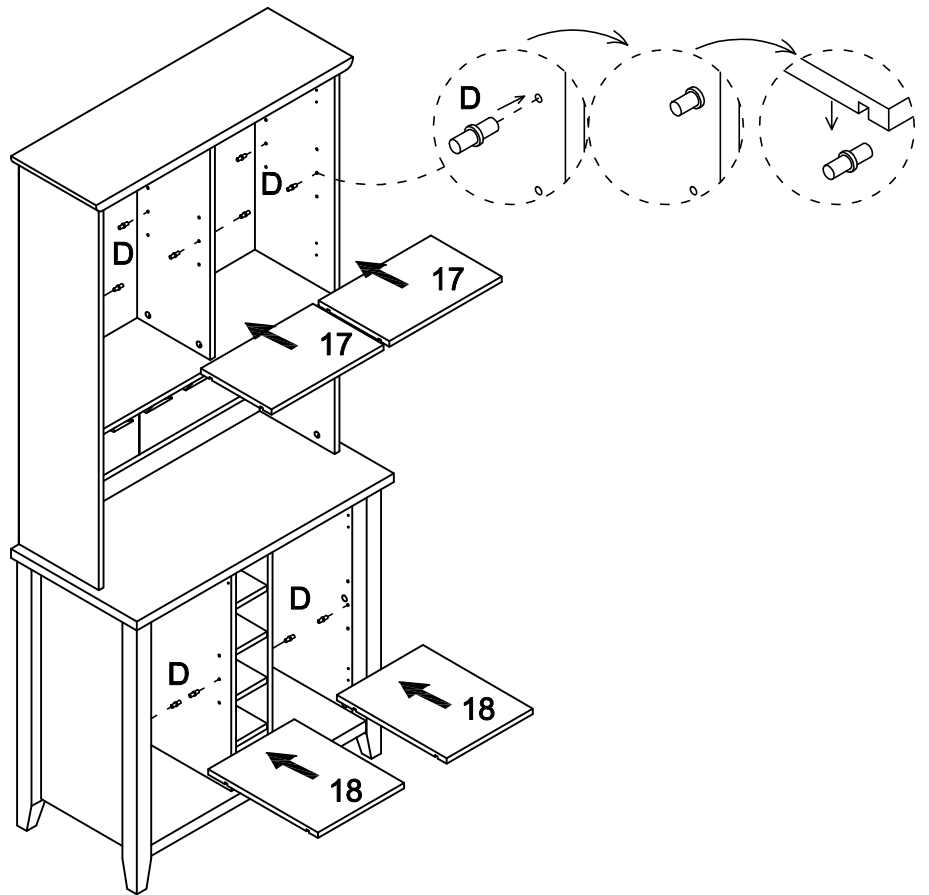
Step 13



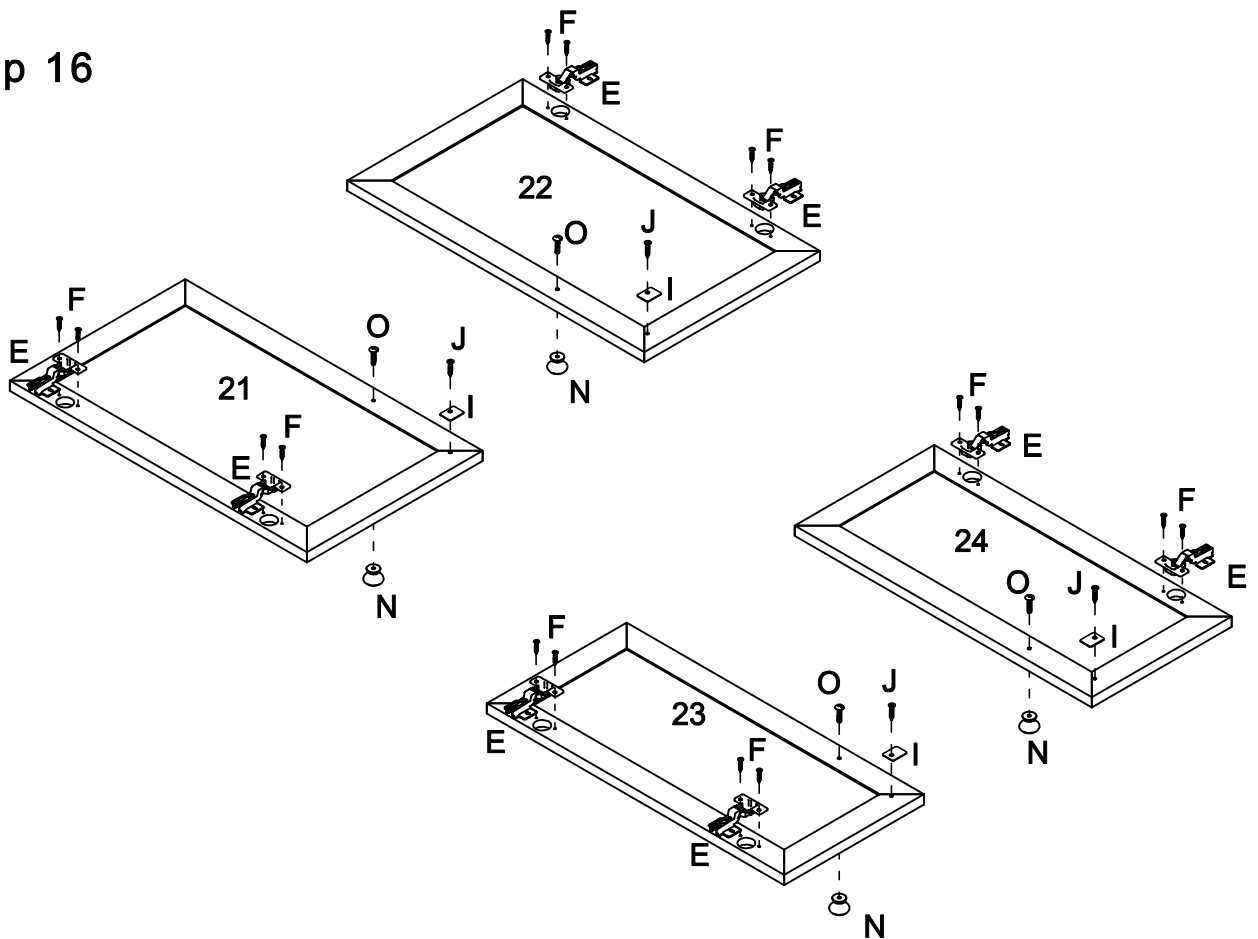
Step 14



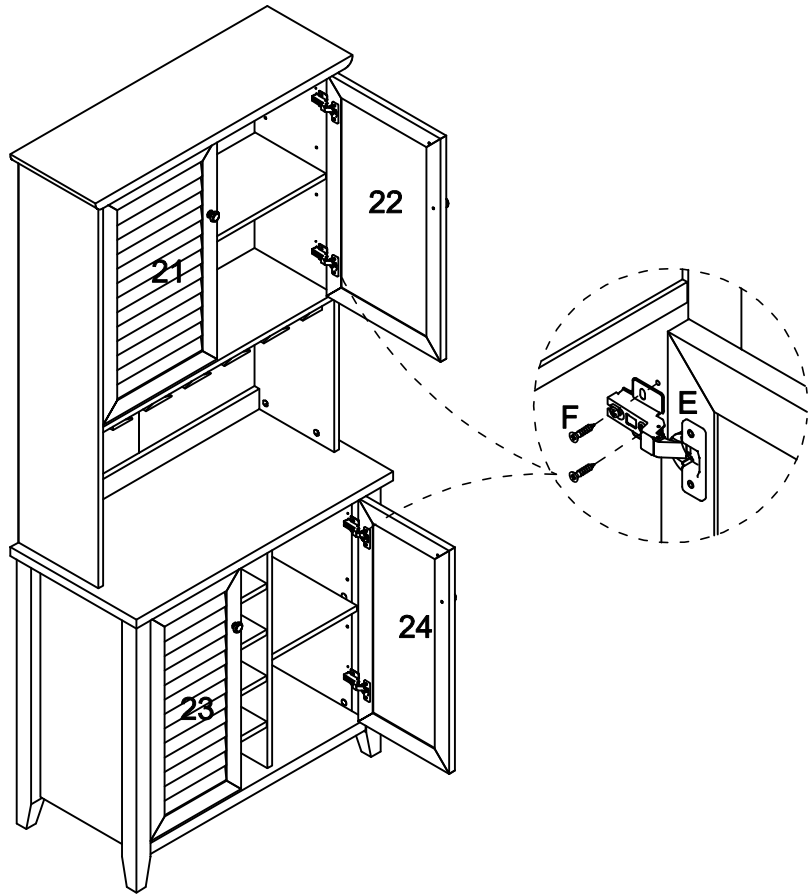
Step 15



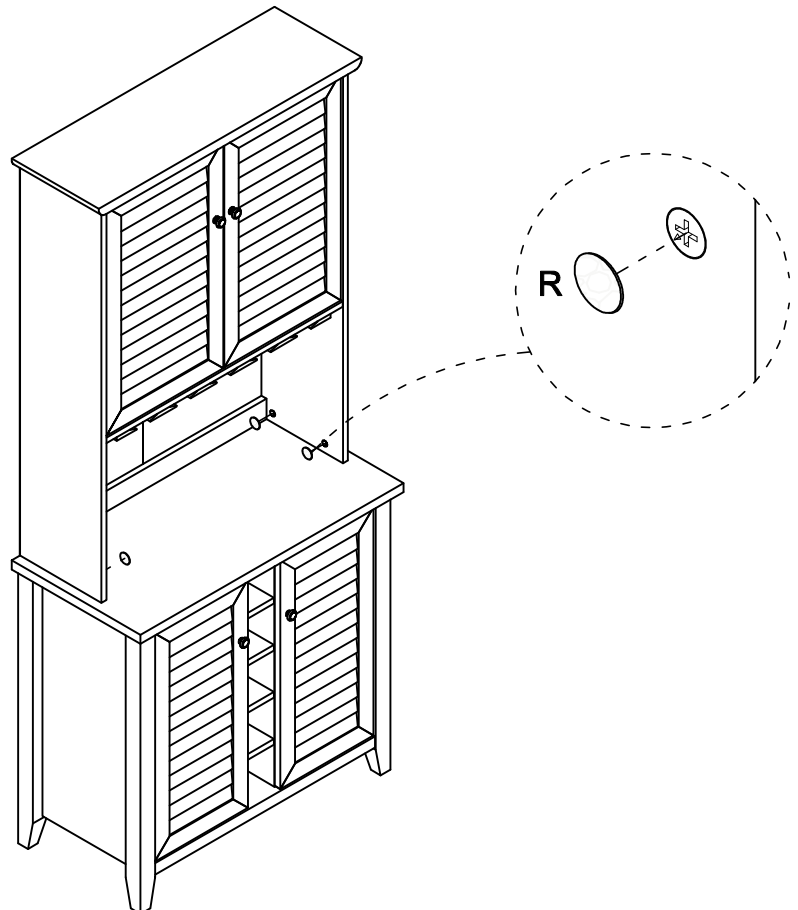
Step 16



Step 17



Step 18



Step 19

