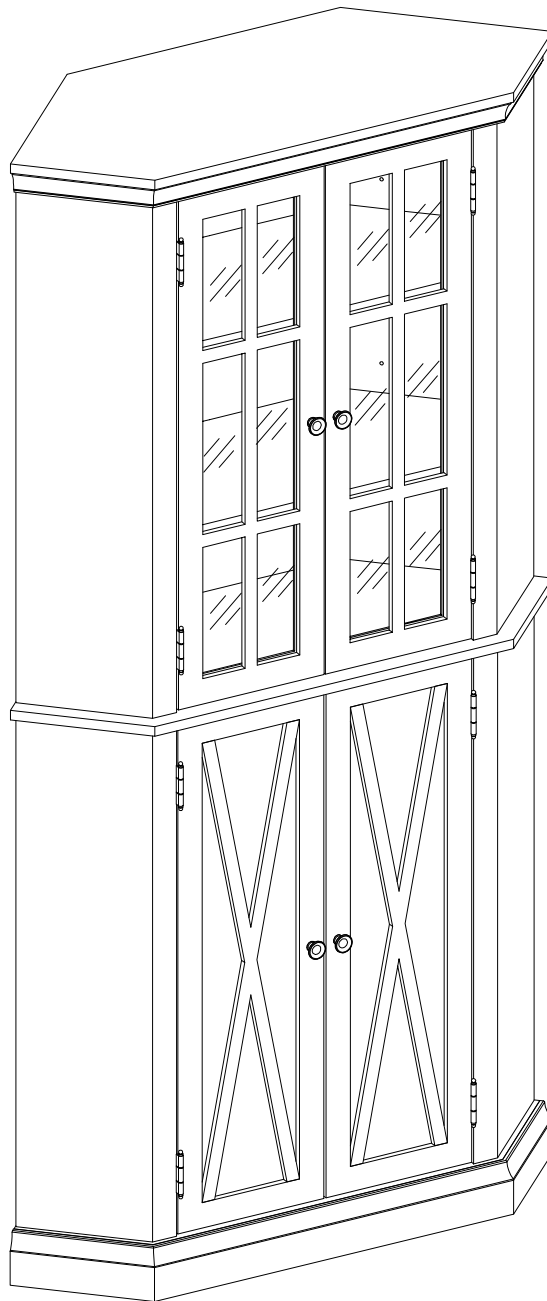


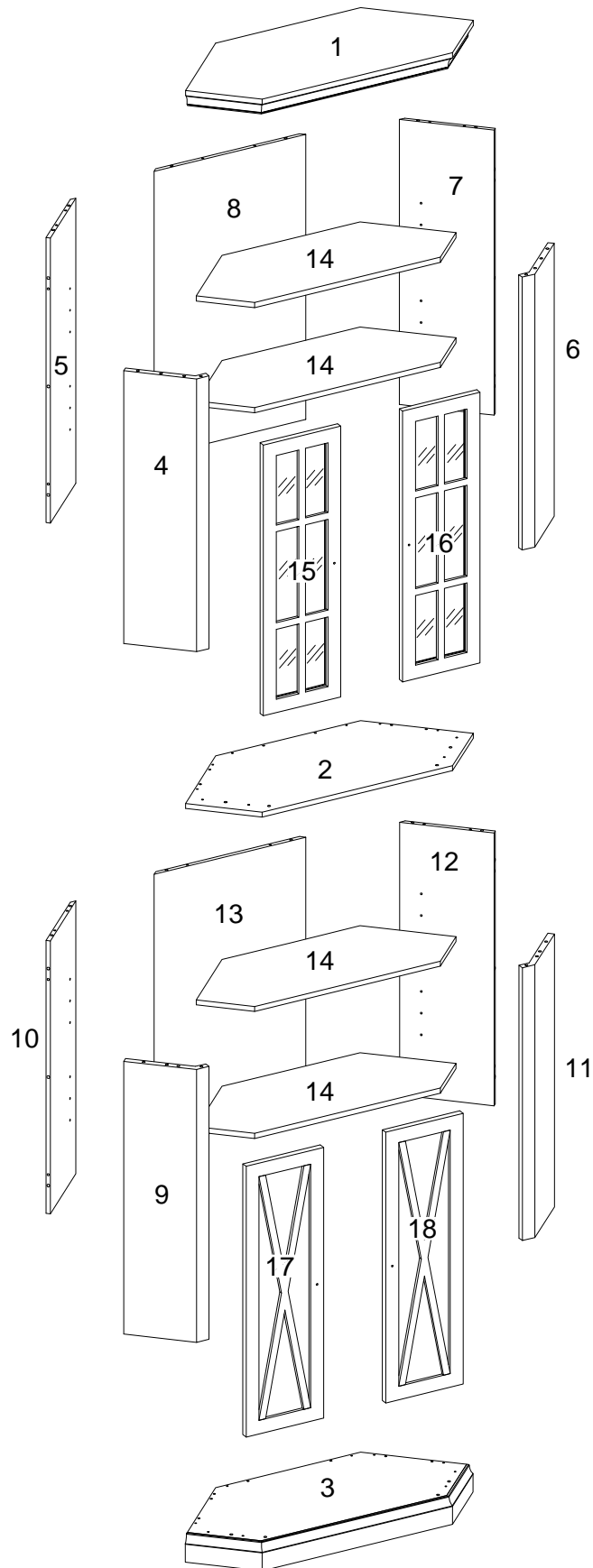
HOME SOURCE®

ASSEMBLY INSTRUCTION


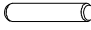
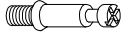


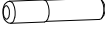
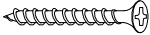
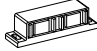



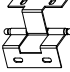







MODEL: DC14 MOP-STONE GREY / DC14 MOP-CHARC
DC14 MOP-MH

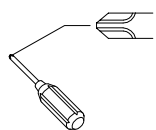


Parts List



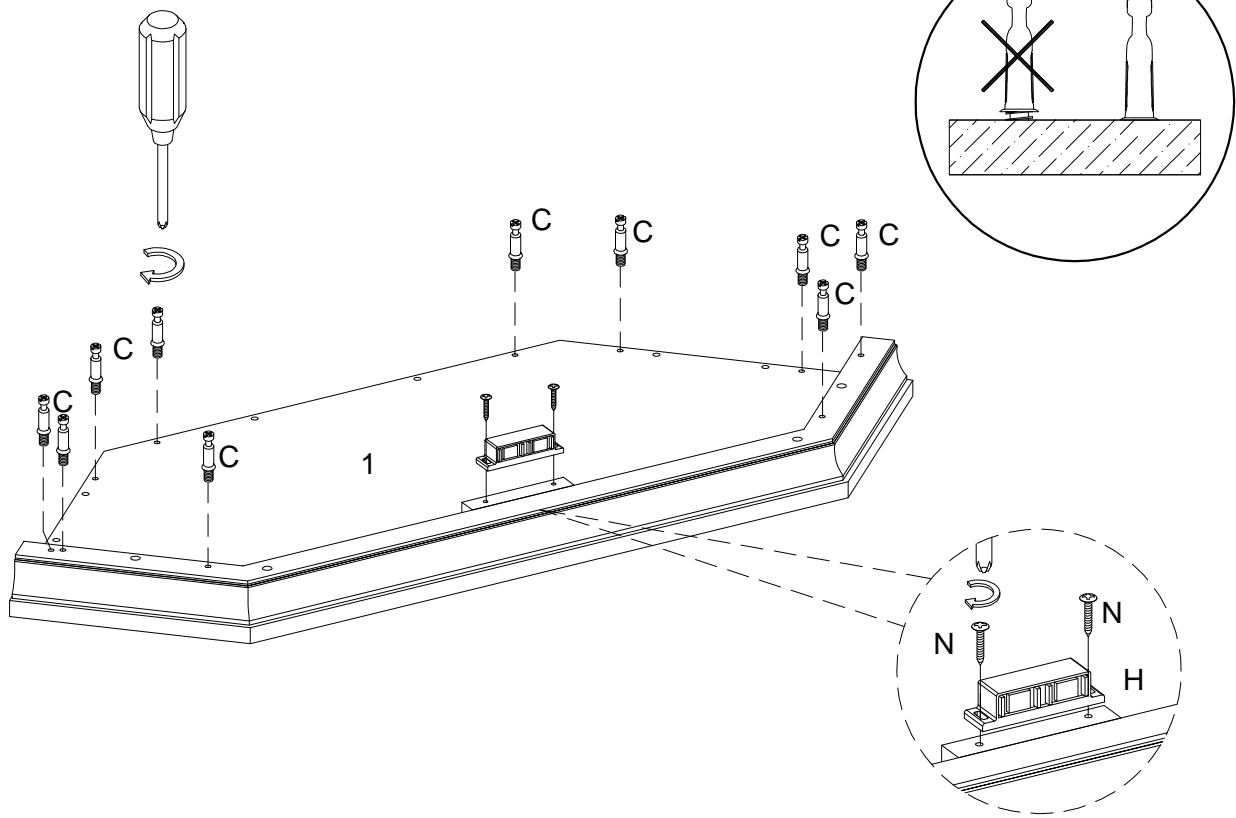
Hardware List

A		Ø8x30mm	Wooden dowel	12 pcs
B		Ø6x30mm	Wooden dowel	32 pcs
C		Ø6x35mm	Cam bolt	42 pcs
D		Ø15x11mm	Cam lock	12 pcs
E		Ø15x9mm	Cam lock	30 pcs
F			Shelf support pin	16 pcs
G		Ø4x44	Screw	10 pcs
H			Door stopper	2 pcs
I			Metal plate	4 pcs
J		Ø4x22	Bolt	4 pcs
K			Handle	4 pcs
L			Hinge	8 pcs
M		Ø3.5x12	Screw	32 pcs
N		Ø3x15	Screw	4 pcs
O		Ø3x12	Screw	4 pcs
P			Sticker	42 pcs
Q			Glue	1 pcs
R		Ø8x50mm	Wooden dowel	2 pcs
S			Tipping Restraint Hardware (Inside Plastic White Bag)	2 pcs

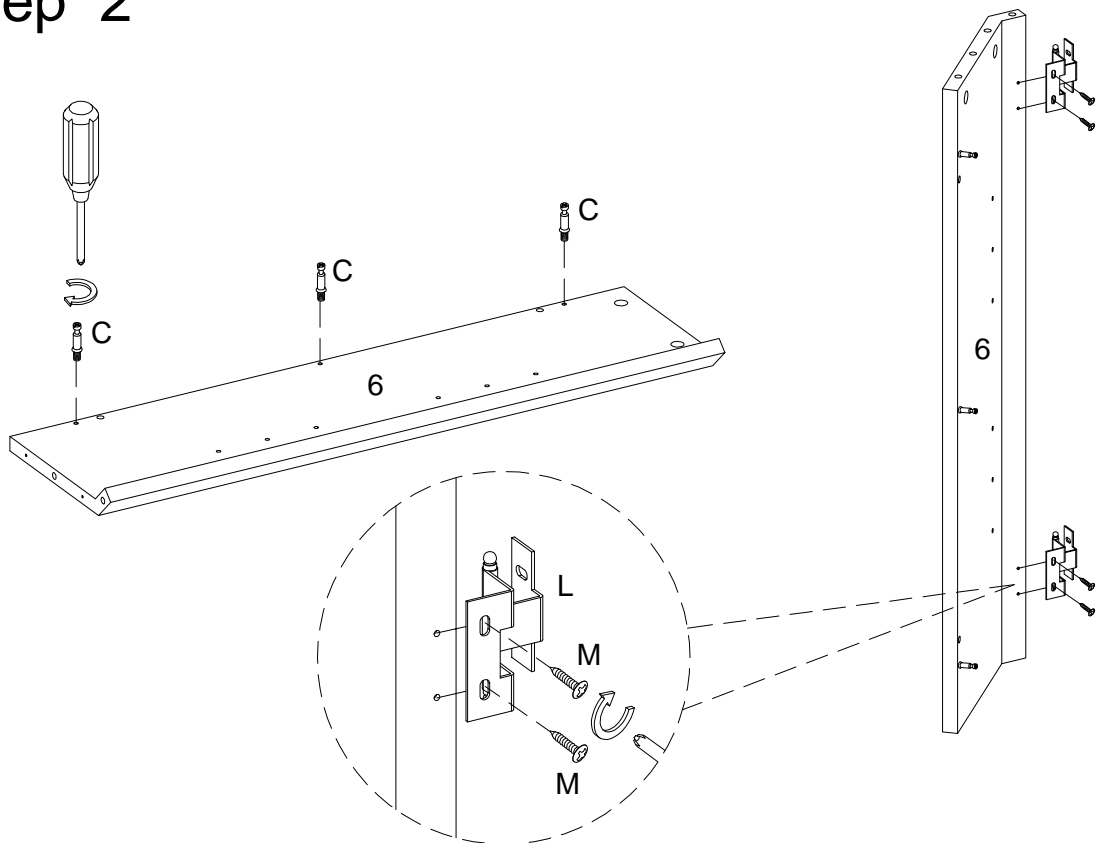


Philips head screwdriver required for assembly
(not included)

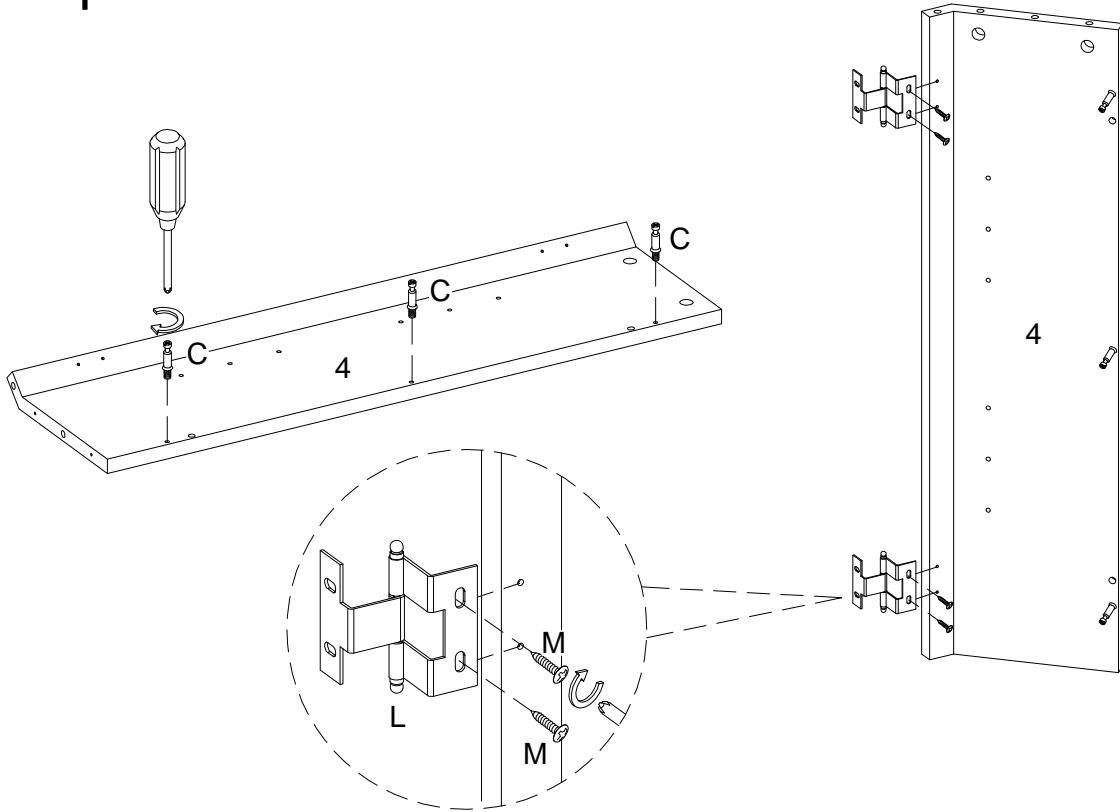
Step 1



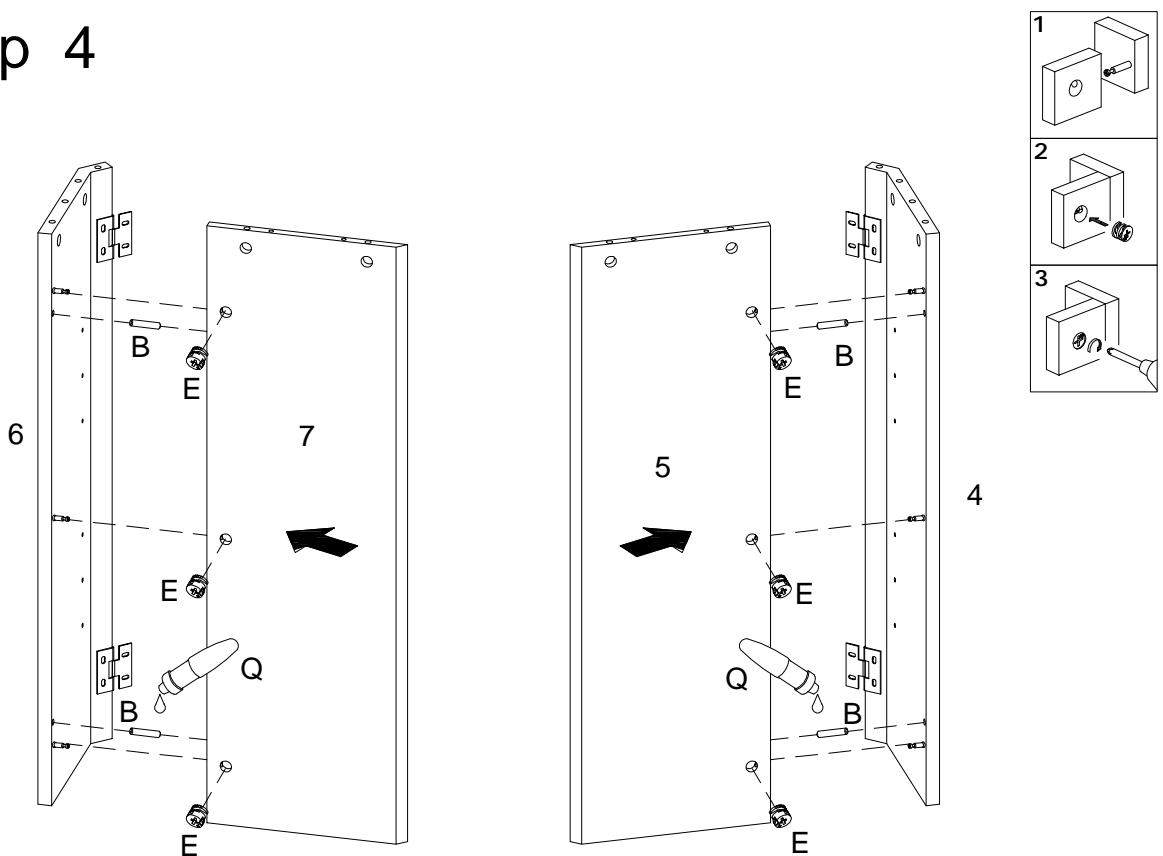
Step 2



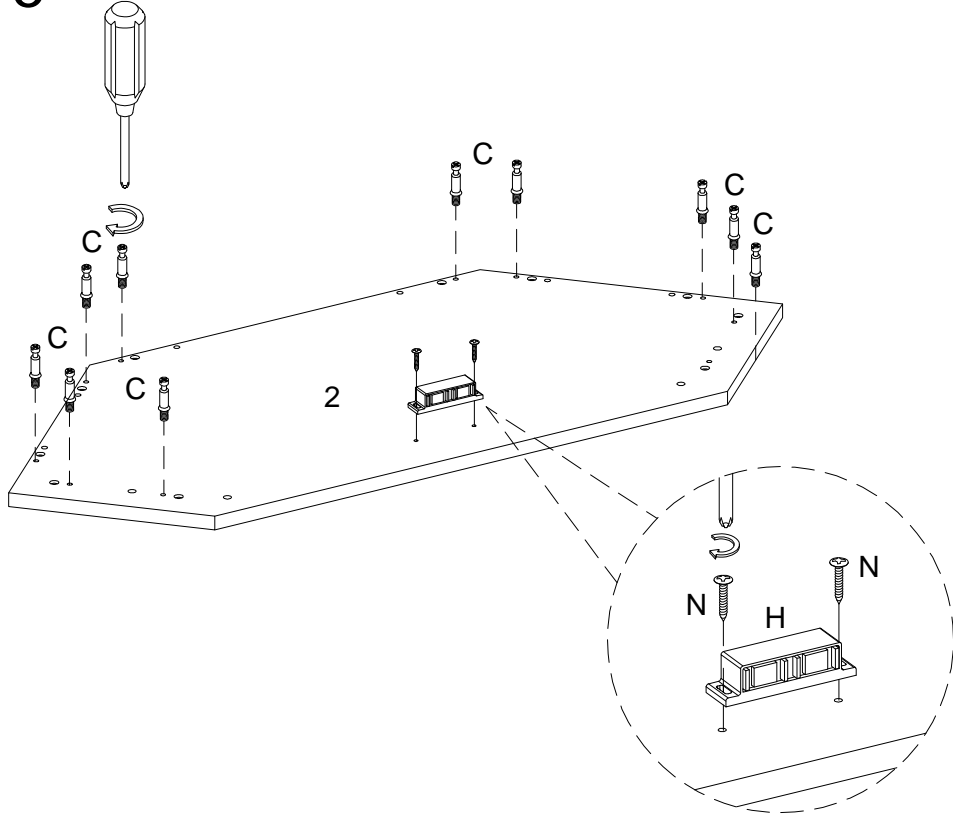
Step 3



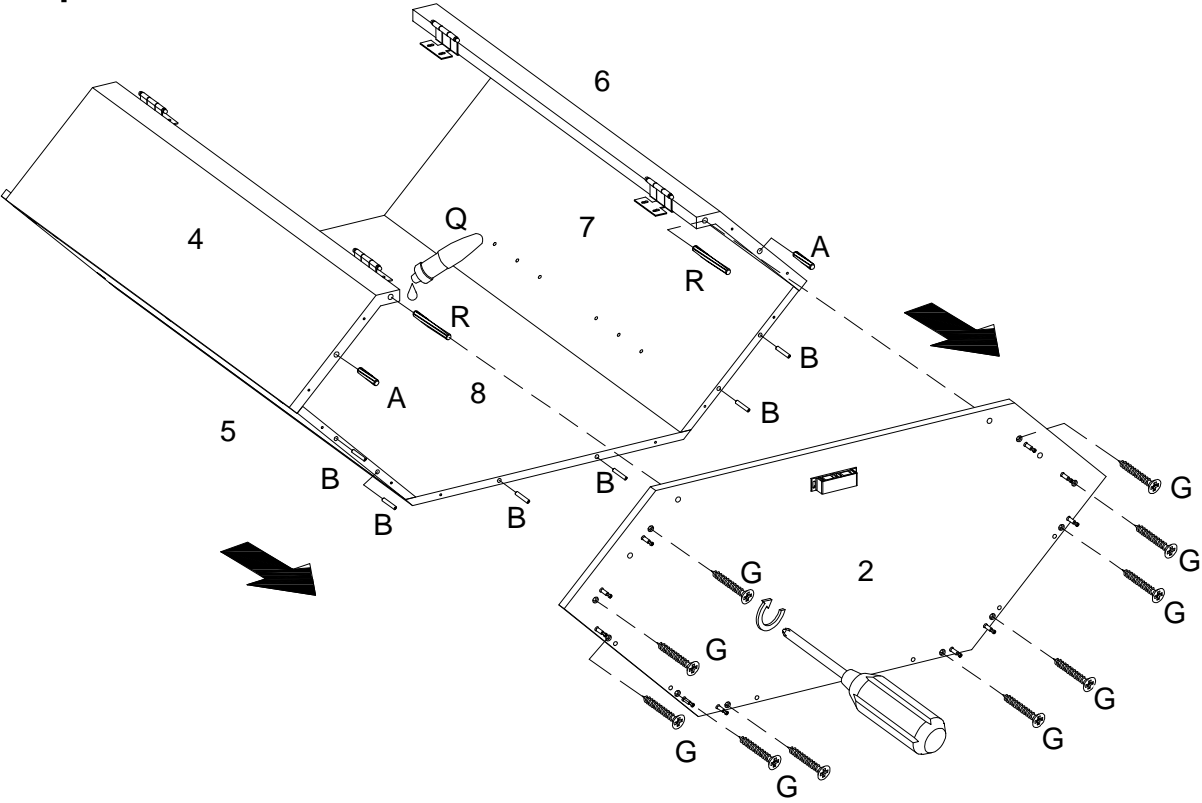
Step 4



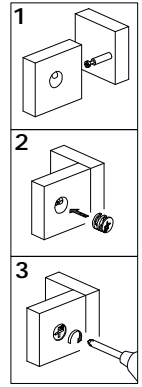
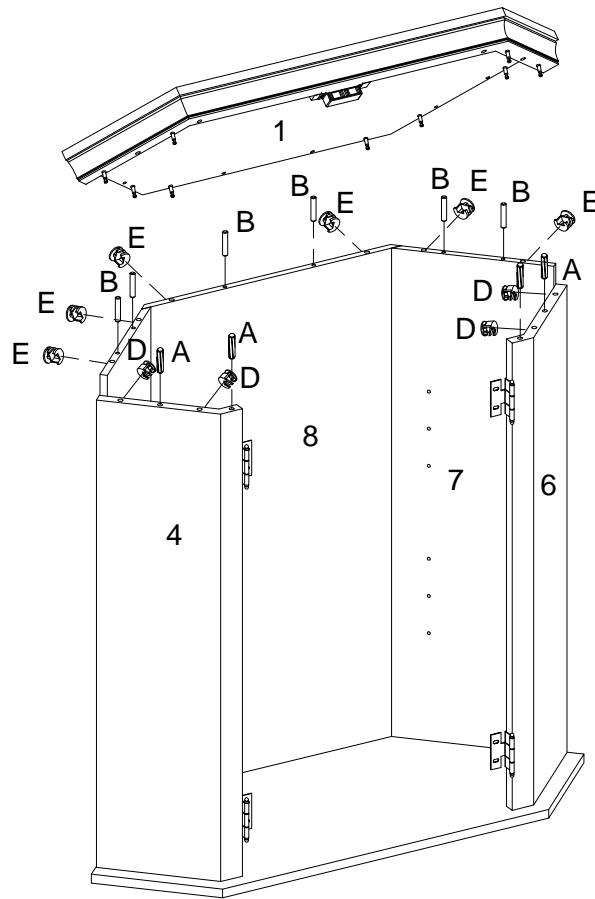
Step 5



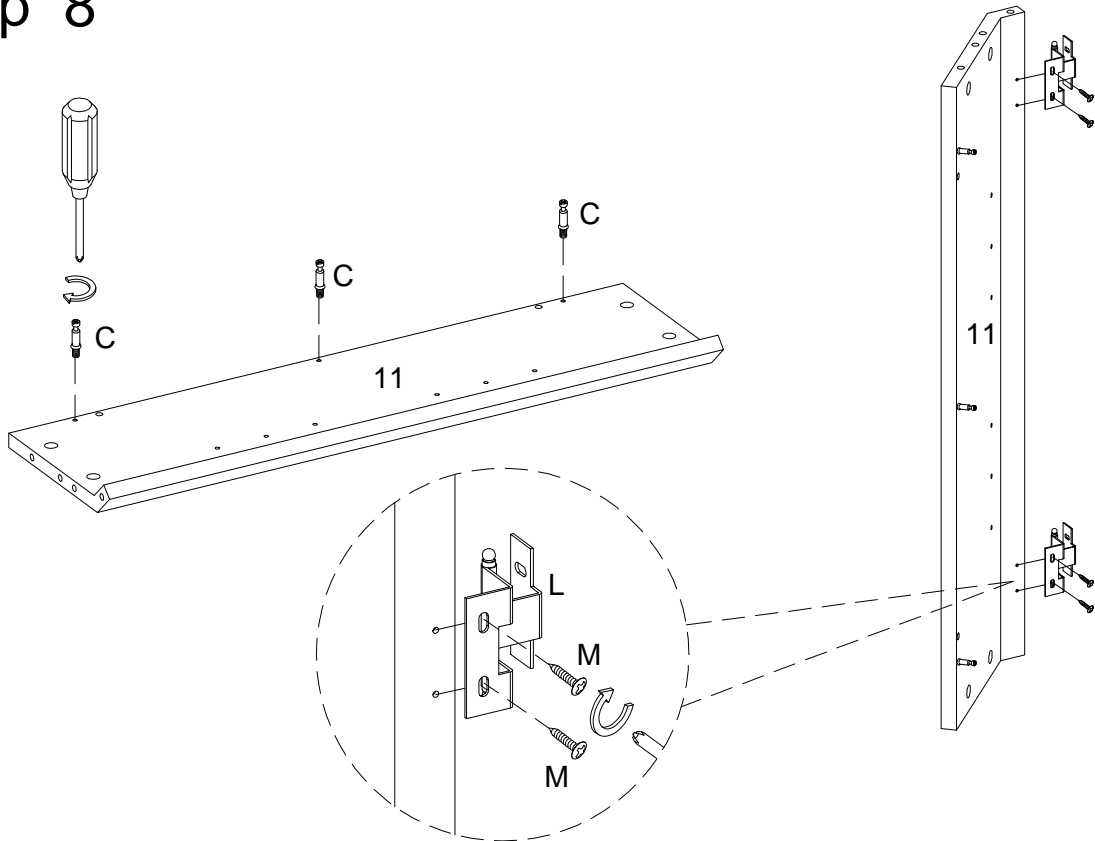
Step 6



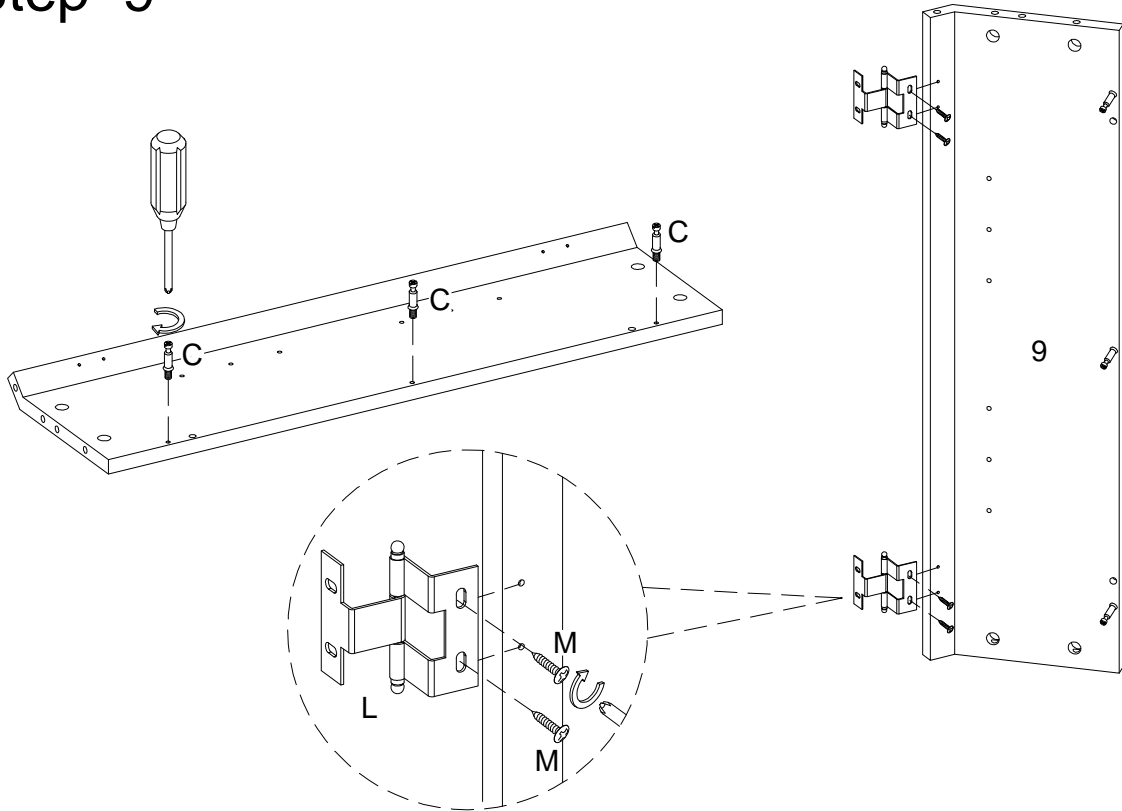
Step 7



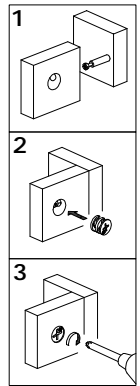
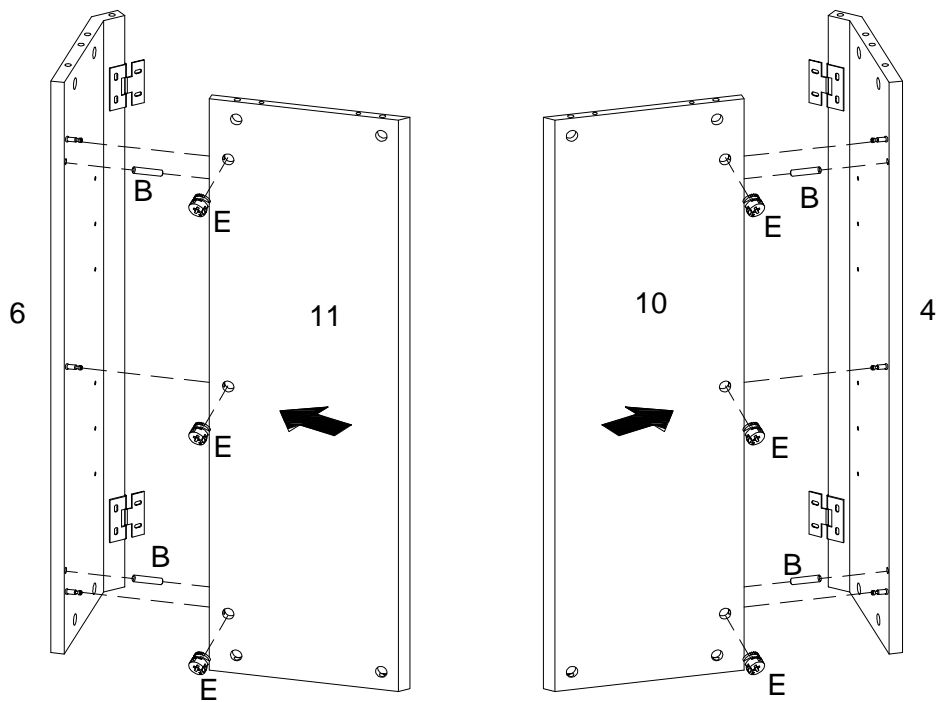
Step 8



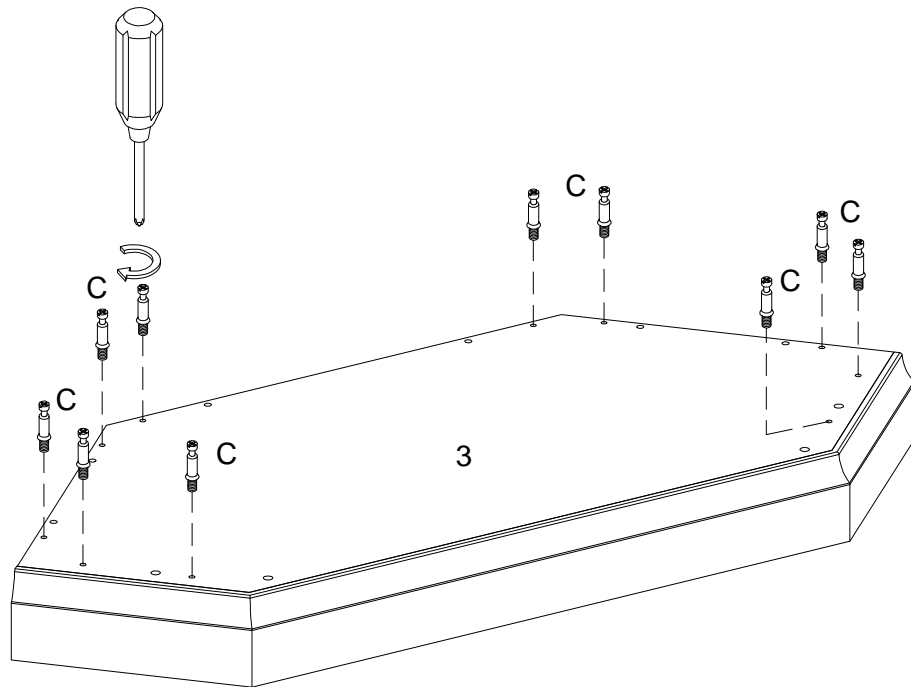
Step 9



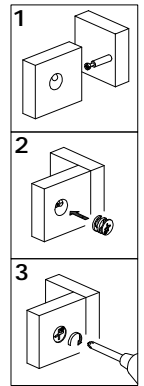
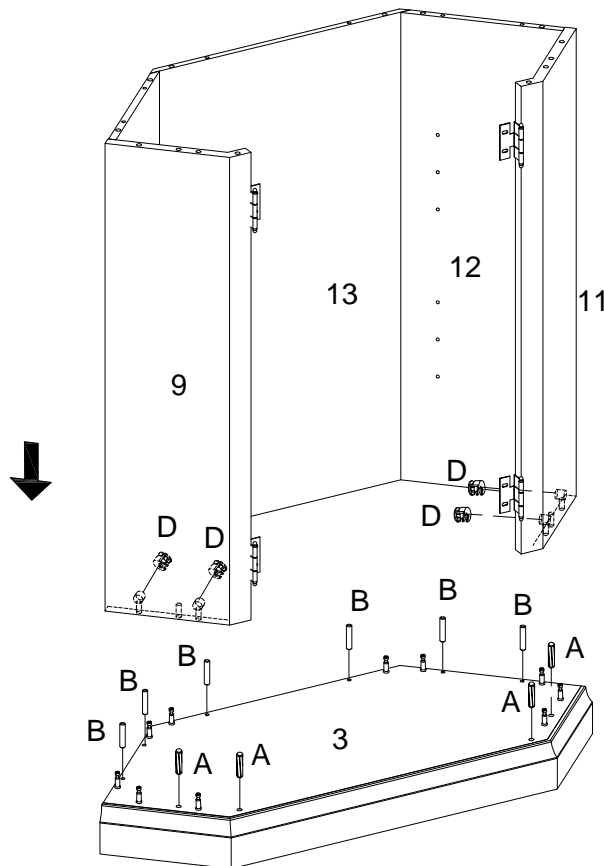
Step 10



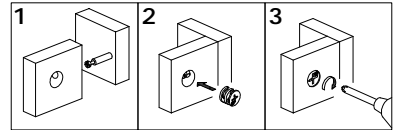
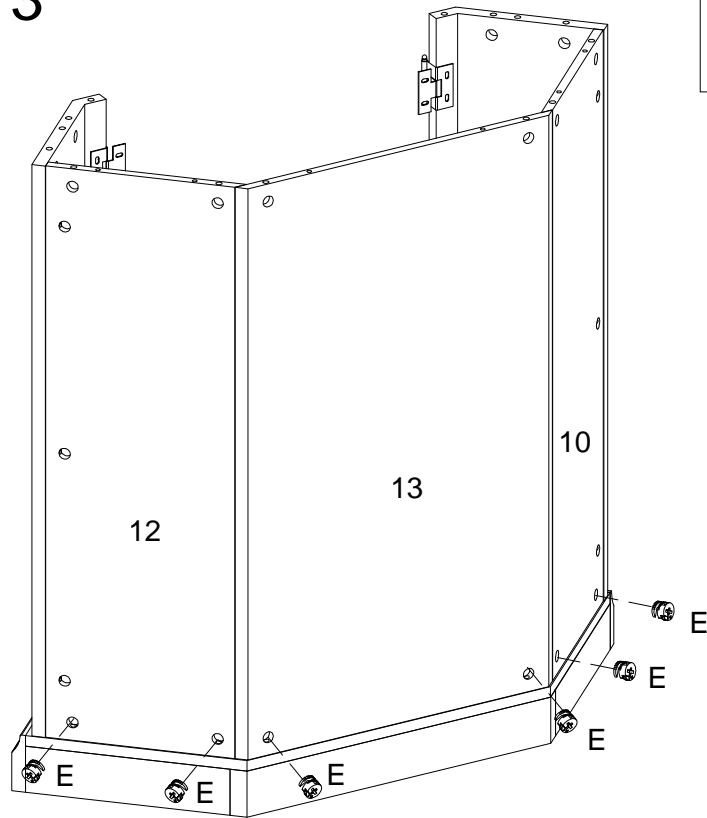
Step 11



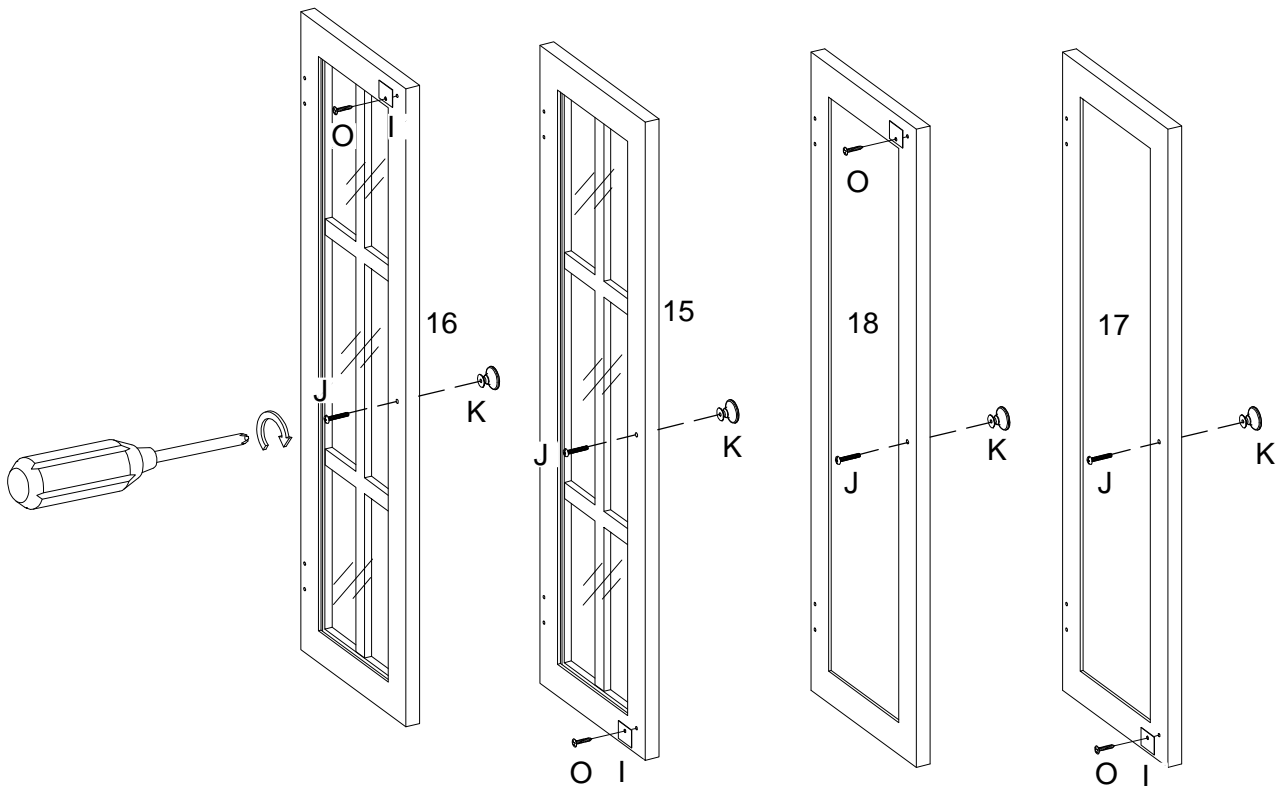
Step 12



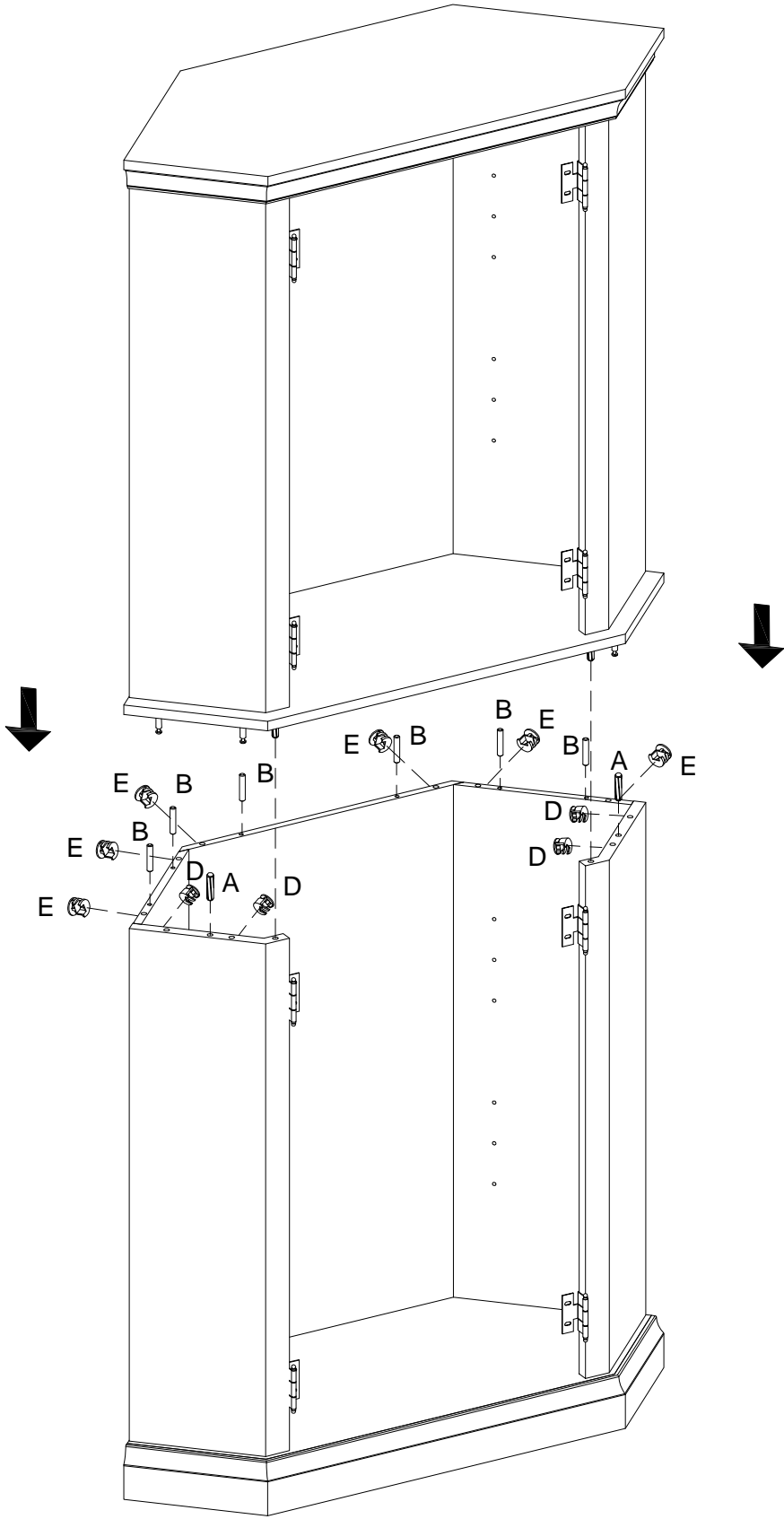
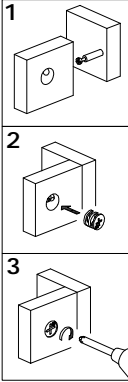
Step 13



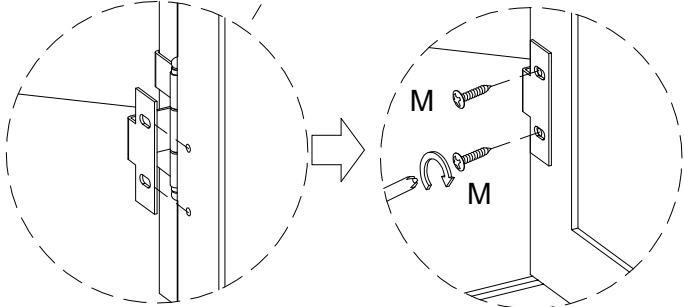
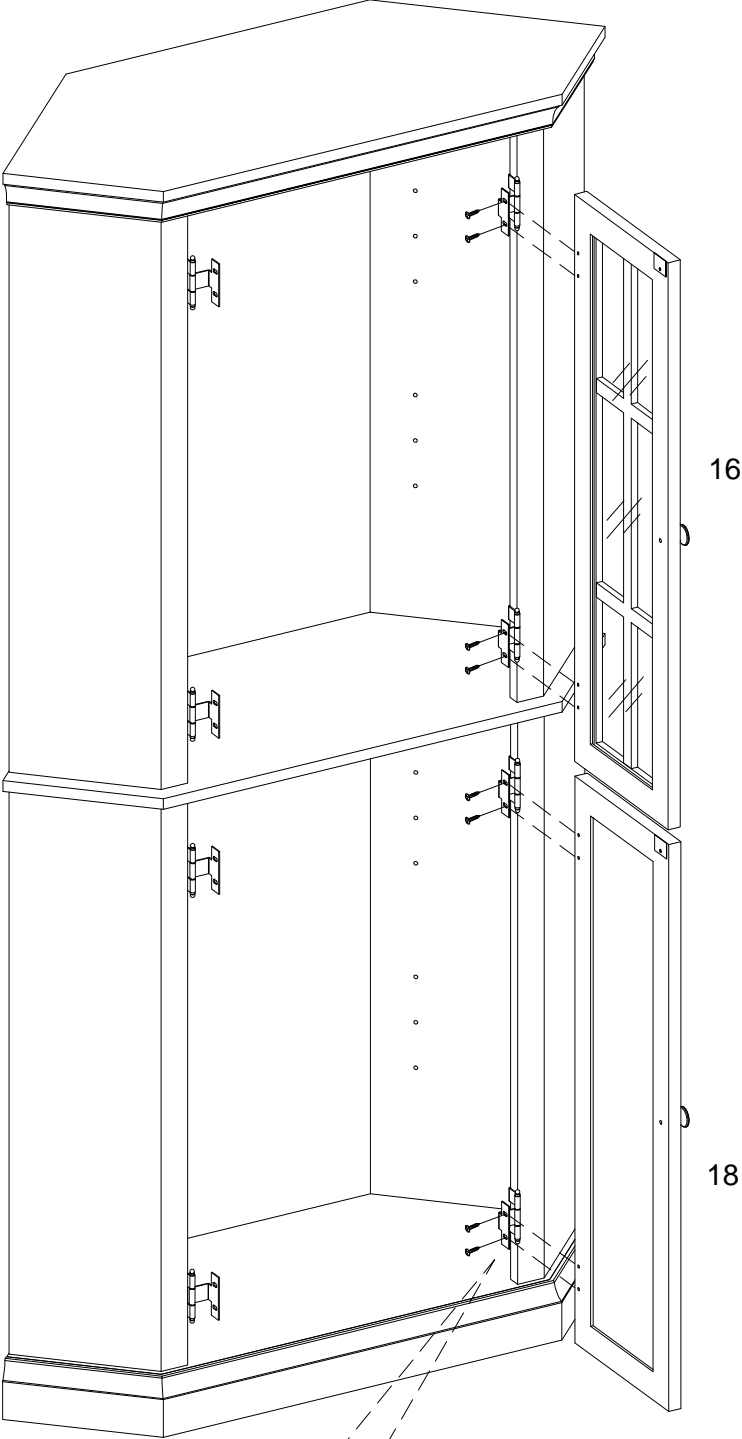
Step 14



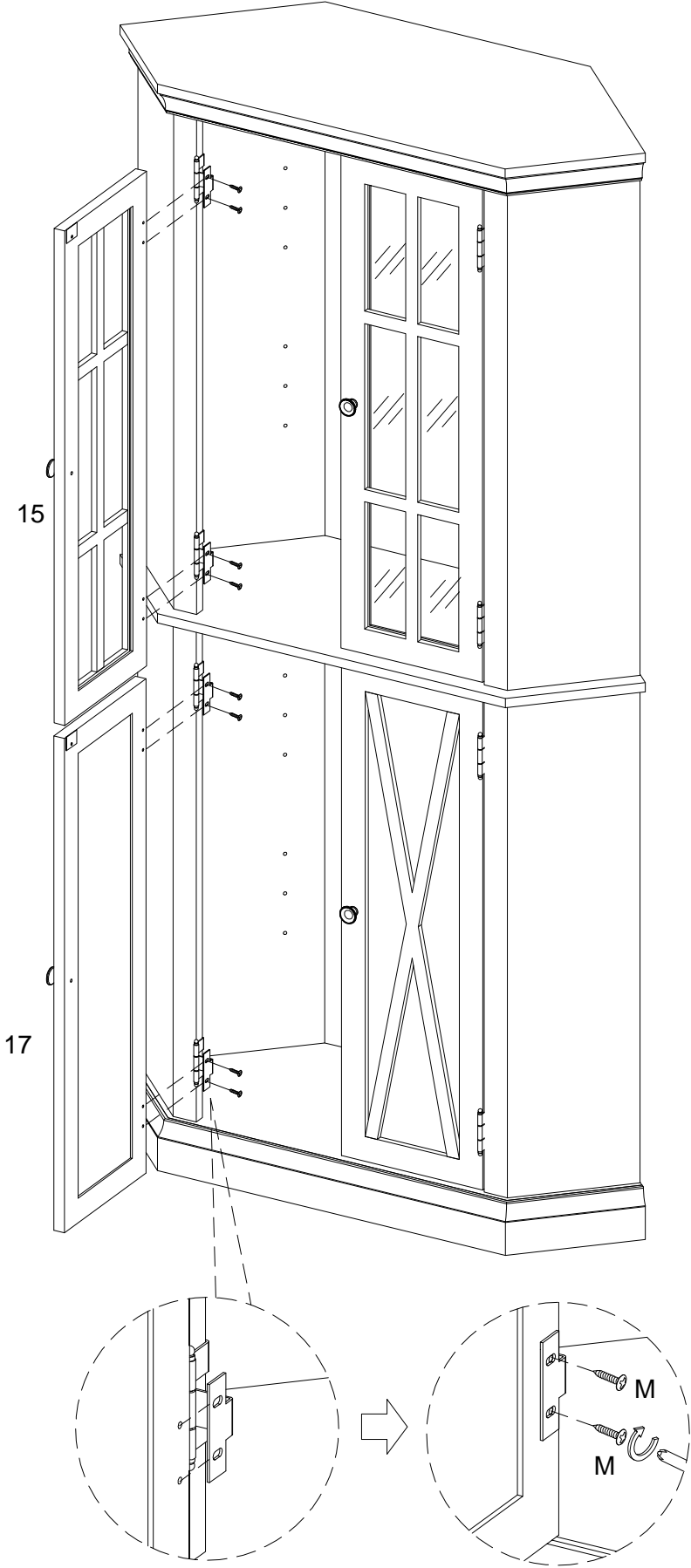
Step 15



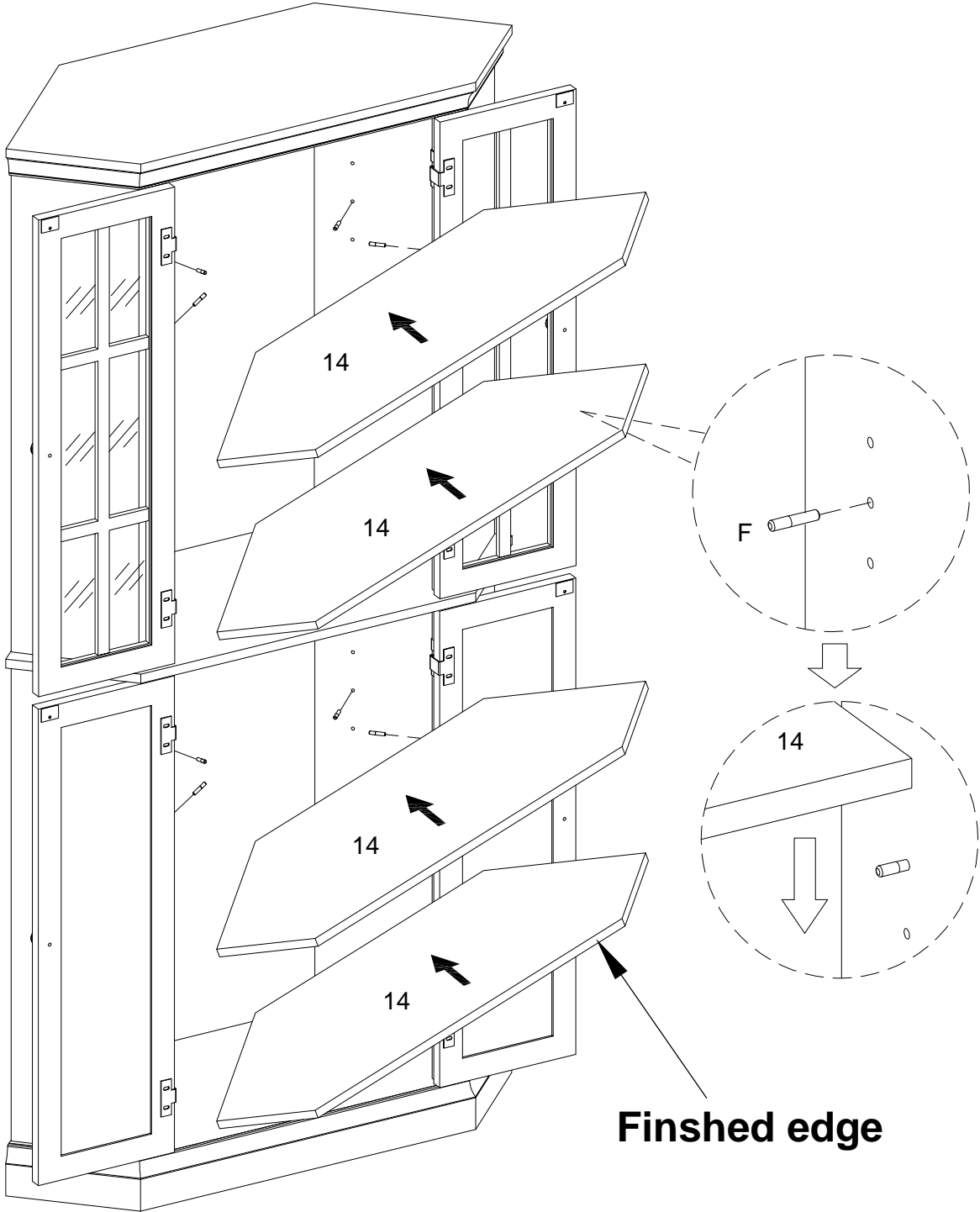
Step 16



Step 17



Step 18



Step 19

WARNING

You must install the tip restraint hardware to help prevent any accidents or damage to the unit. We strongly recommend attaching the tip restraint hardware to a wall stud and your unit. For all other wall types, please visit your local hardware store to obtain the proper hardware.

